



US00D740886S

(12) **United States Design Patent**  
**Beams**

(10) **Patent No.:** **US D740,886 S**

(45) **Date of Patent:** **\*\* \*Oct. 13, 2015**

- (54) **THUMBWHEEL CONTROLLER**
- (75) Inventor: **Shane Beams**, Fallbrook, CA (US)
- (73) Assignee: **APEM, INC.**, Haverhill, MA (US)
- (\*) Notice: This patent is subject to a terminal disclaimer.
- (\*\*) Term: **14 Years**
- (21) Appl. No.: **29/423,468**
- (22) Filed: **May 31, 2012**
- (51) **LOC (10) Cl.** ..... **21-01**
- (52) **U.S. Cl.**  
USPC ..... **D21/333; D21/324**
- (58) **Field of Classification Search**  
USPC ..... D21/324-333; 273/148 B; 463/1,  
463/29-35, 43-51; D14/412-416;  
345/156-161  
See application file for complete search history.

5,847,694	A *	12/1998	Redford et al.	.....	345/158
6,251,015	B1 *	6/2001	Caprai	.....	463/36
6,557,853	B2 *	5/2003	Huettlinger	.....	273/148 B
6,624,806	B2 *	9/2003	Hsu	.....	345/161
6,809,722	B2 *	10/2004	Mei et al.	.....	345/163
D601,565	S *	10/2009	Maeno	.....	D14/400
D658,184	S *	4/2012	Chang et al.	.....	D14/413
D659,765	S *	5/2012	Taniguchi et al.	.....	D21/333

\* cited by examiner

*Primary Examiner* — Prabhakar Deshmukh  
(74) *Attorney, Agent, or Firm* — Pillsbury Winthrop Shaw Pittman LLP

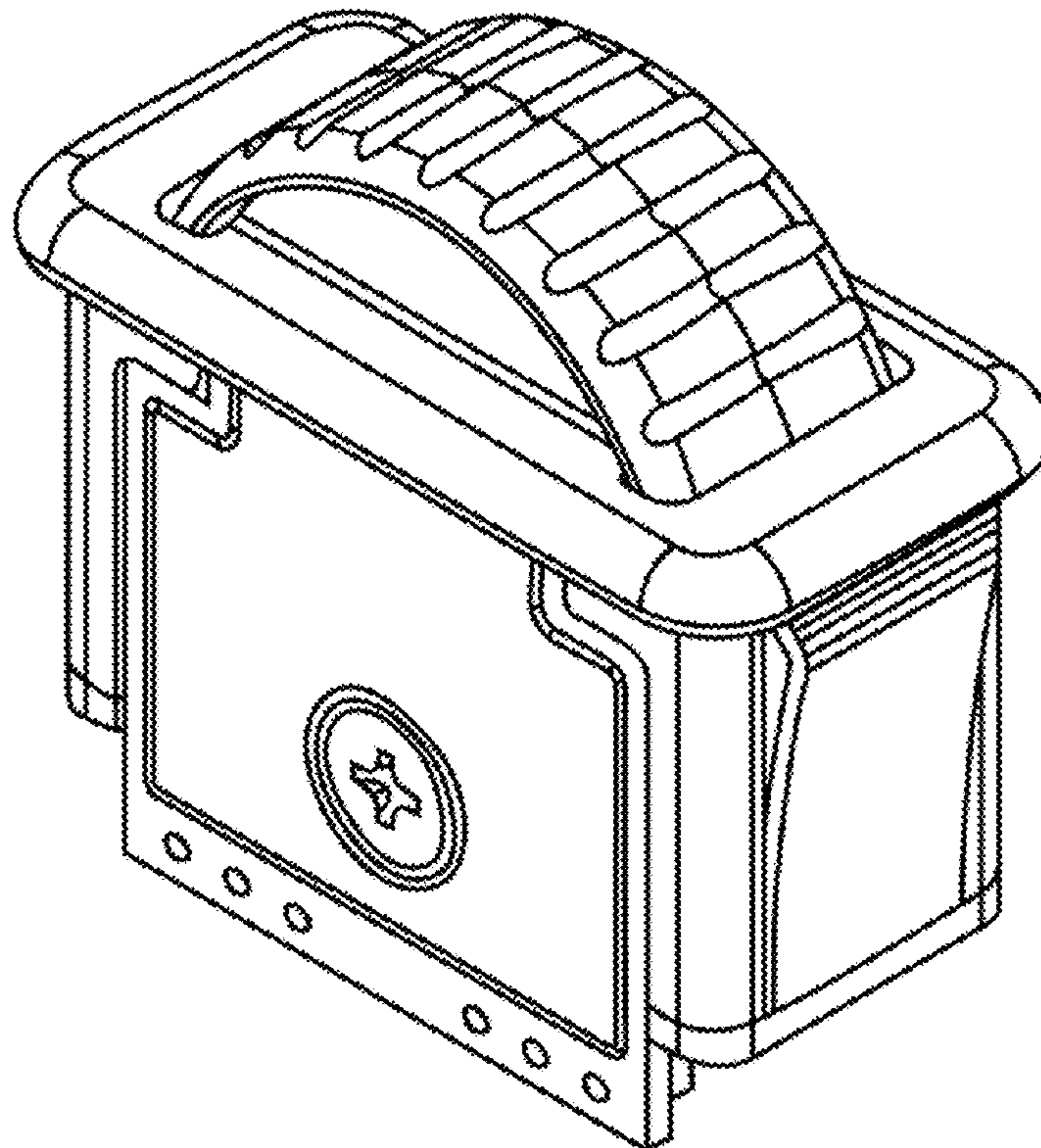
(57) **CLAIM**  
The ornamental design for a thumbwheel controller, as shown and described.

**DESCRIPTION**

FIG. 1 is a perspective view of the thumbwheel controller showing my new design;  
FIG. 2 is a top plan view thereof;  
FIG. 3 is a bottom plan view thereof  
FIG. 4 is a left side elevation view thereof;  
FIG. 5 is a right side elevation view thereof;  
FIG. 6 is a front elevation view thereof; and,  
FIG. 7 is a rear elevation view thereof.

**1 Claim, 7 Drawing Sheets**

- (56) **References Cited**  
U.S. PATENT DOCUMENTS  
4,530,504 A \* 7/1985 Long, Jr. .... 273/148 B  
5,343,219 A \* 8/1994 DuBosque, Jr. .... 345/160  
5,788,195 A \* 8/1998 Rice ..... 248/118.5



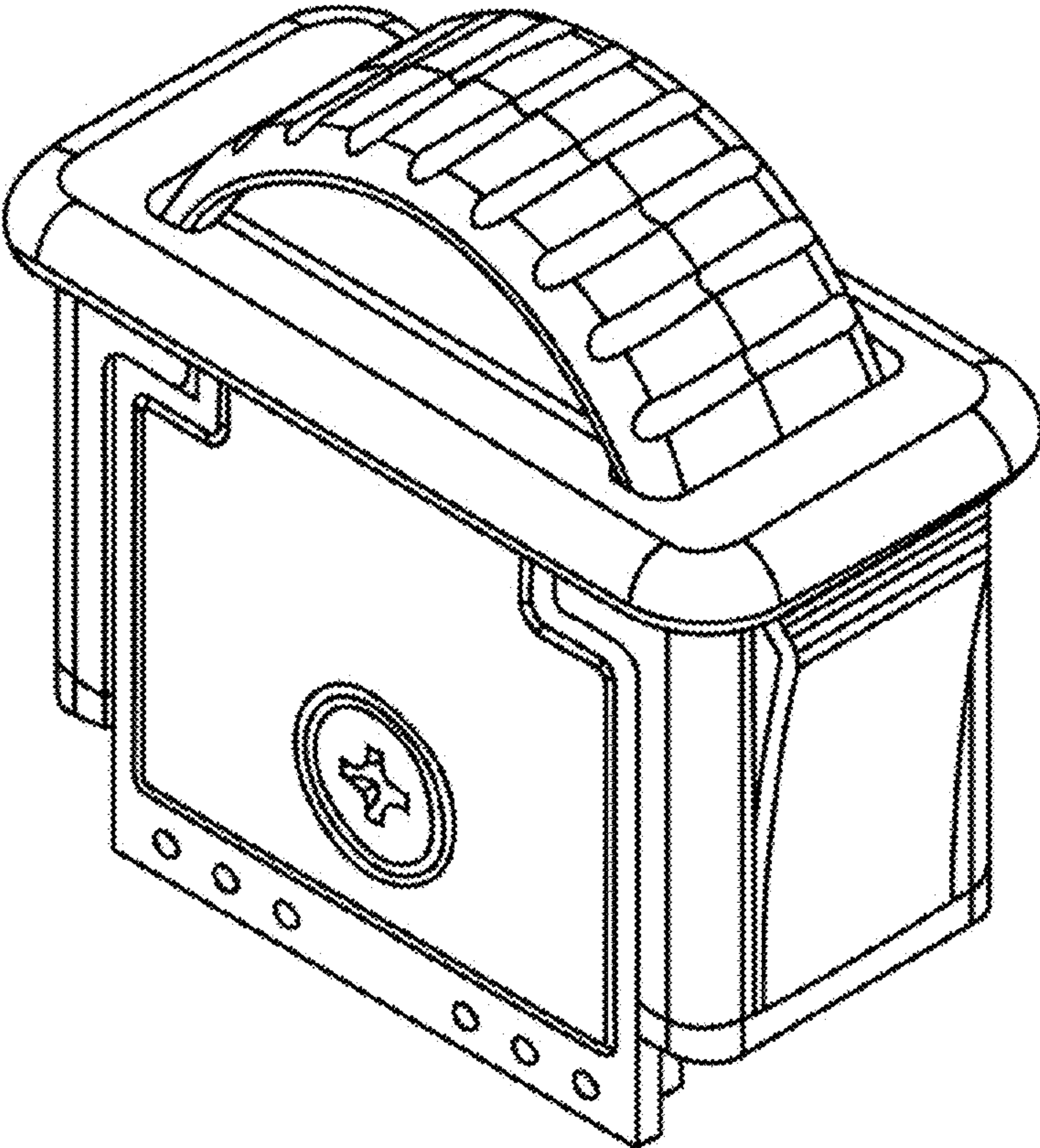


FIG. 1

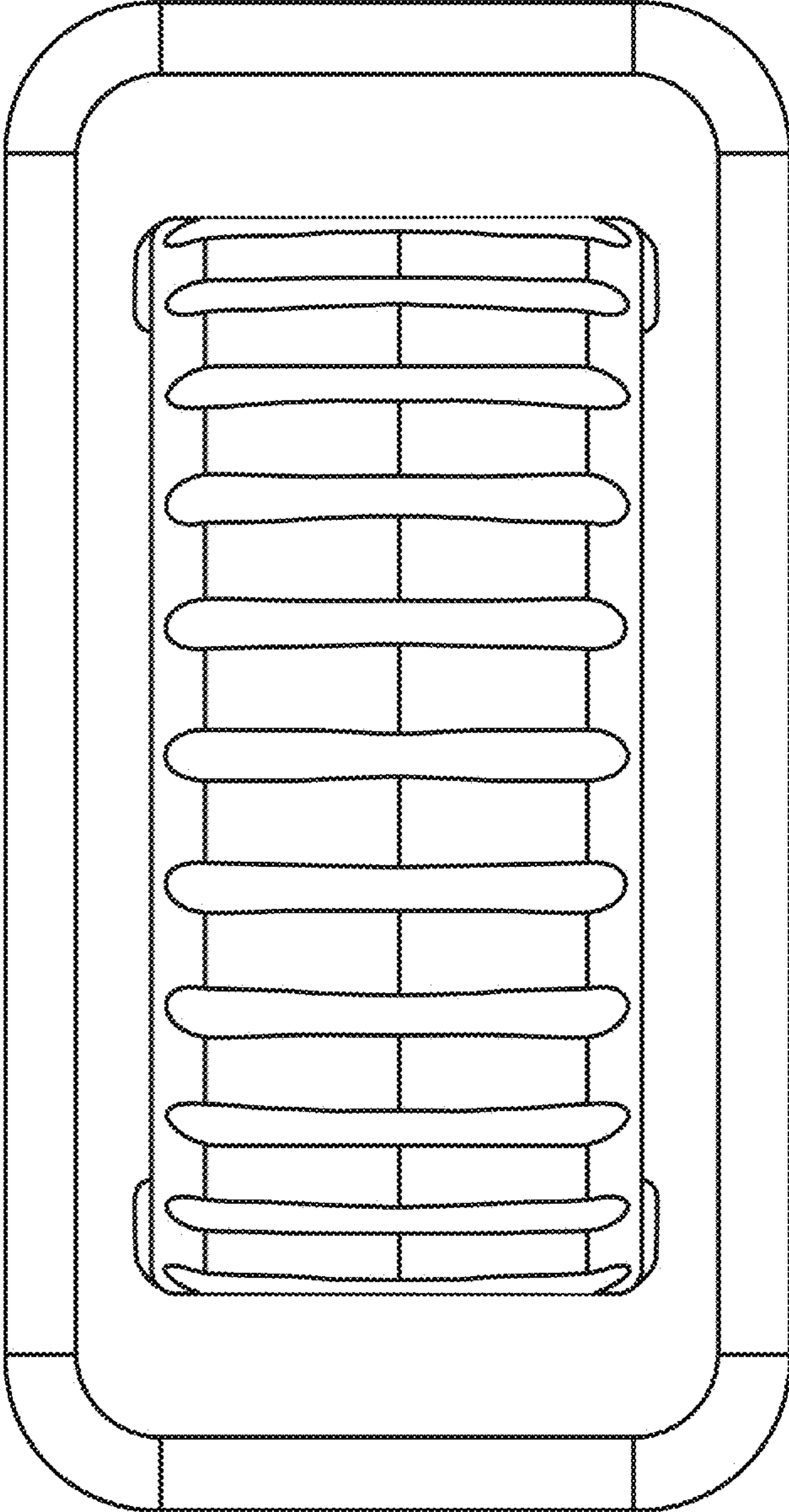


FIG. 2

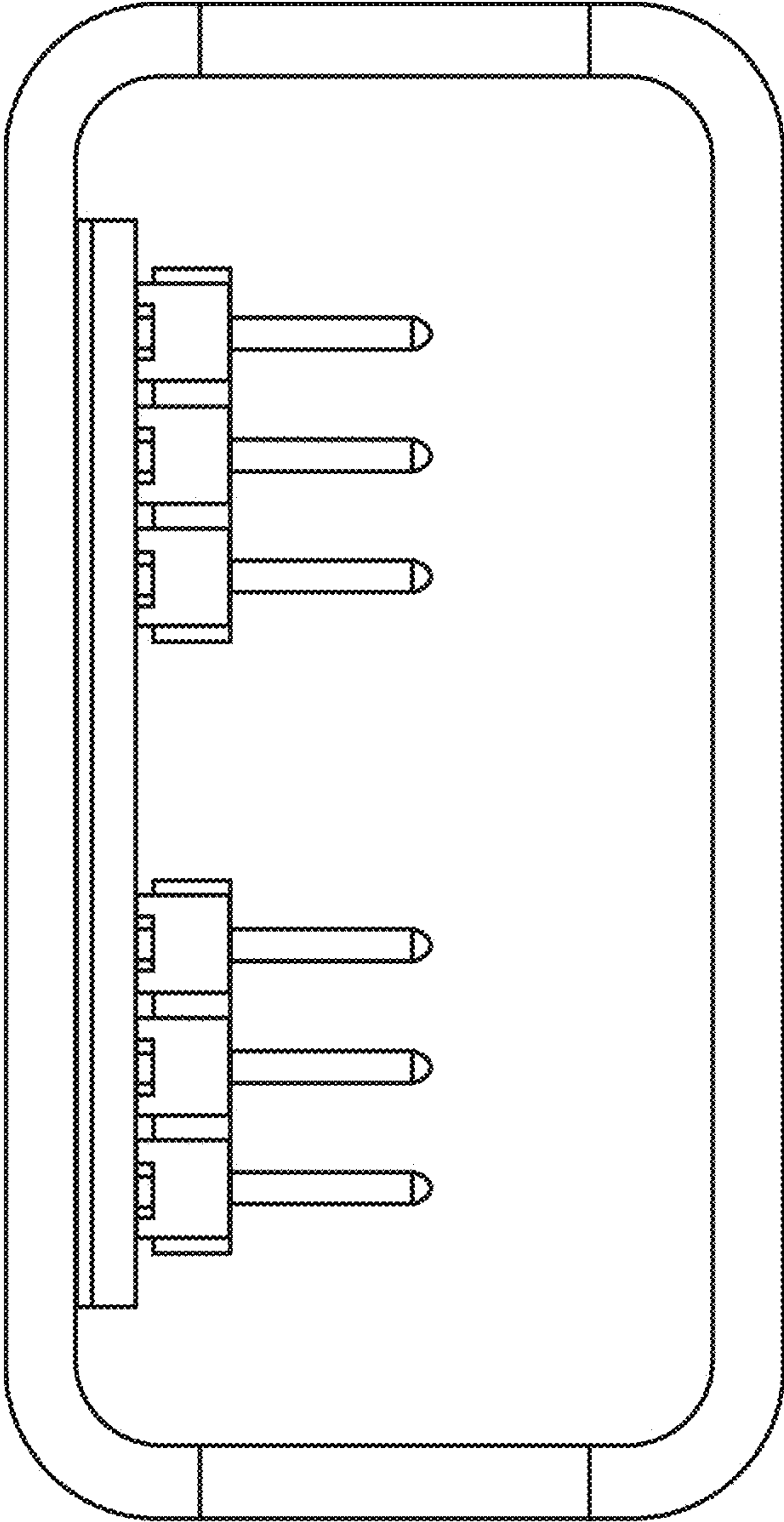


FIG. 3



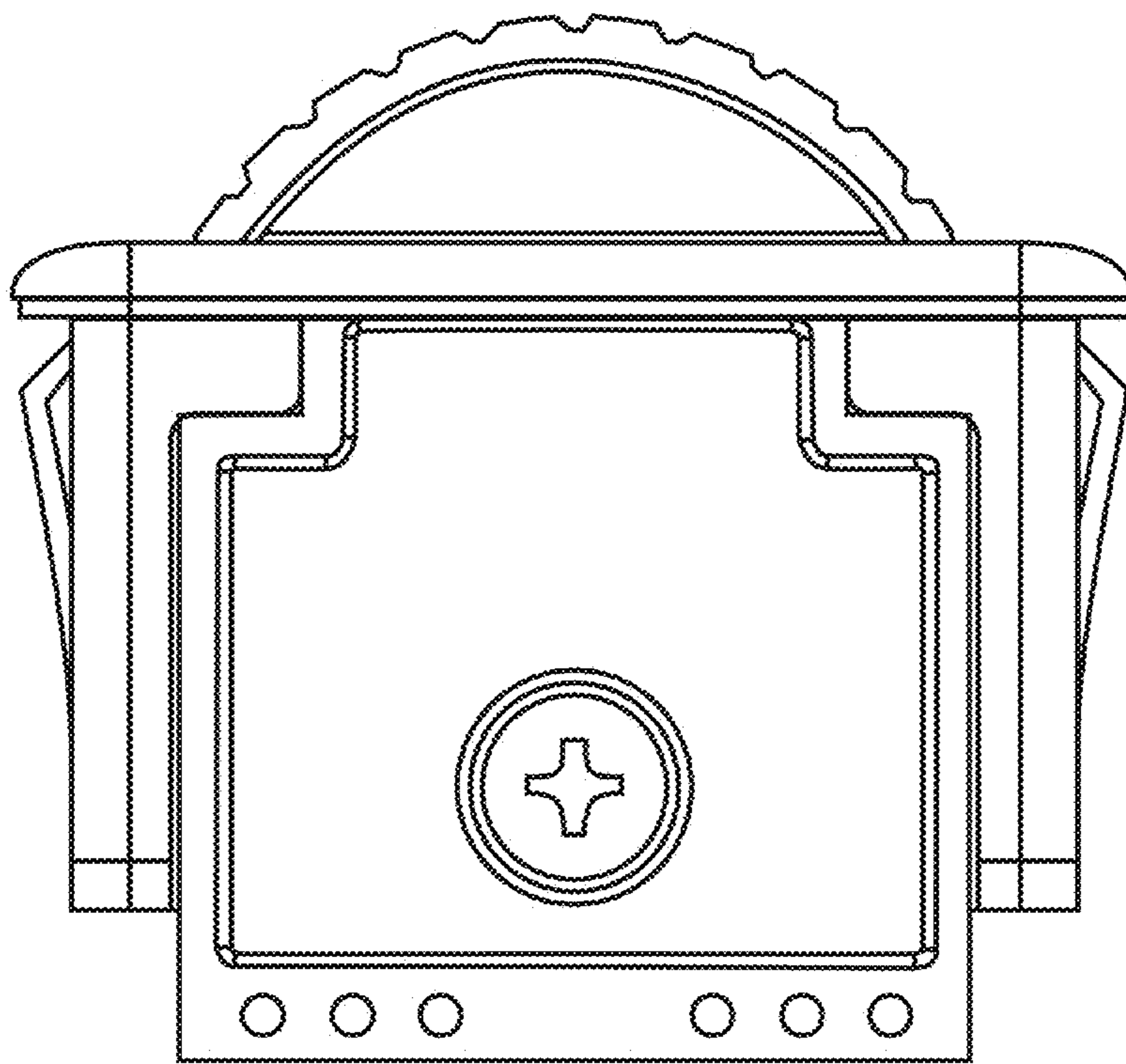


FIG. 4

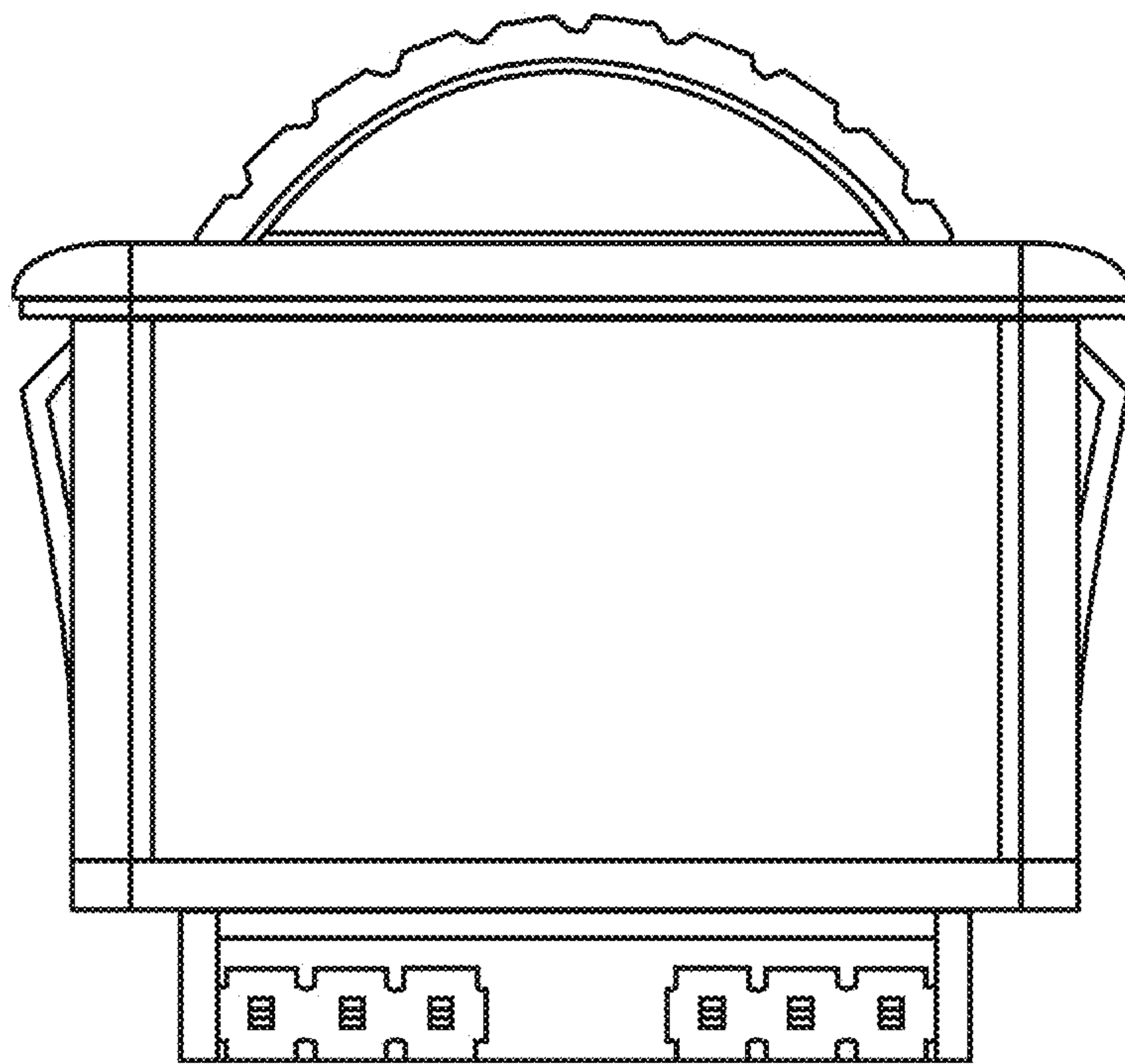


FIG. 5

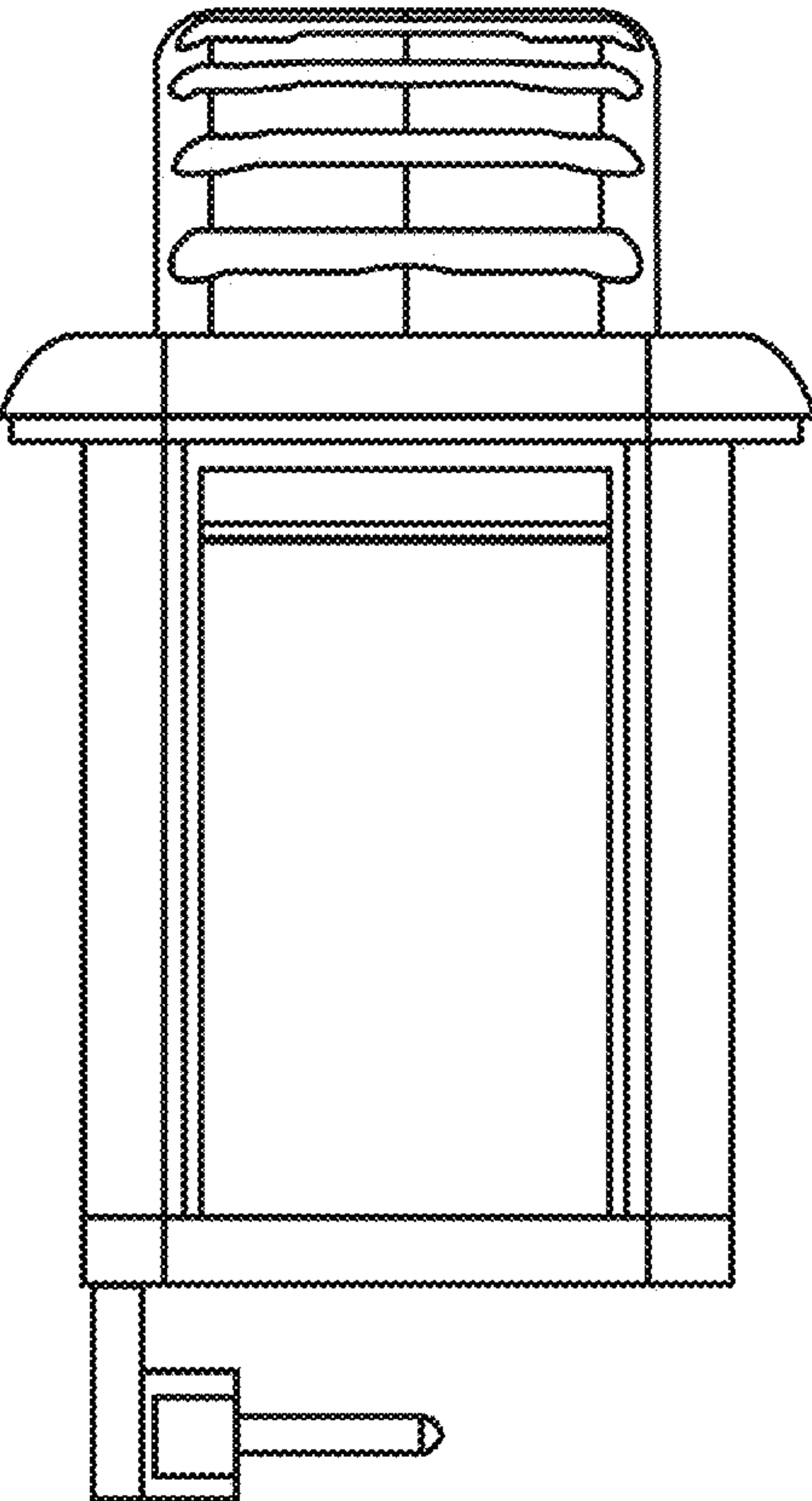


FIG. 6

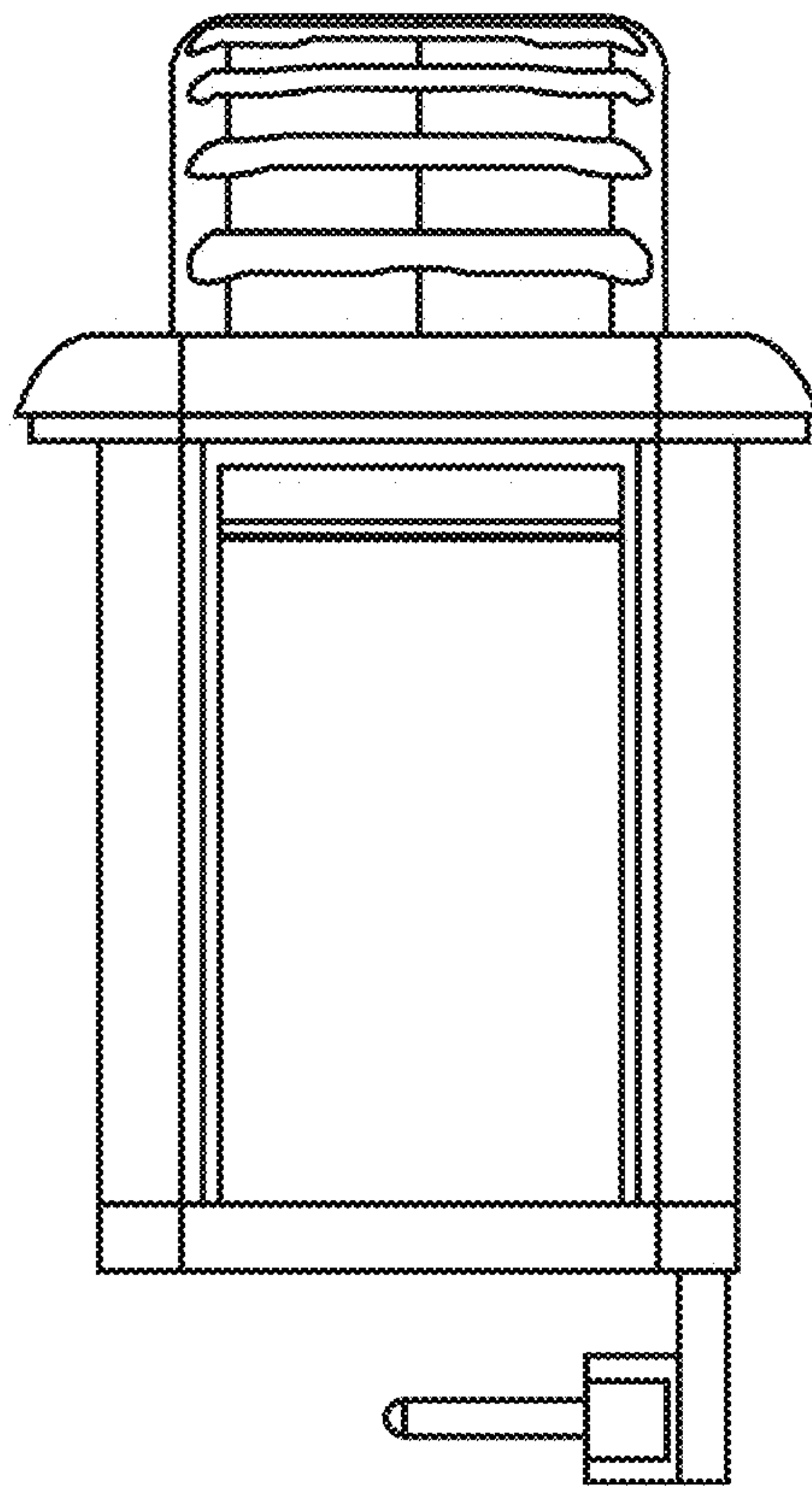


FIG. 7