



US00D740883S

(12) **United States Design Patent**
Rhodes

(10) **Patent No.:** **US D740,883 S**
(45) **Date of Patent:** **** Oct. 13, 2015**

- (54) **WHITE BOARD**
- (71) Applicant: **JULIA MARIE RHODES 2010 REVOCABLE TRUST**, Sonora, CA (US)
- (72) Inventor: **Julia Rhodes**, Sonora, CA (US)
- (73) Assignee: **Julie Marie Rhodes 2010 Revocable Trust**, Sonora, CA (US)
- (**) Term: **14 Years**
- (21) Appl. No.: **29/493,851**
- (22) Filed: **Jun. 13, 2014**

4,793,083	A *	12/1988	McDonald	40/606.13
5,050,828	A *	9/1991	Wolff	248/156
5,058,300	A *	10/1991	Ernest et al.	40/611.12
D347,244	S *	5/1994	Whitmire	D20/41
5,743,414	A *	4/1998	Baudino	211/69.1
D414,516	S *	9/1999	Lopez	D20/10
6,134,820	A	10/2000	Martinez	
6,178,674	B1 *	1/2001	Decaux et al.	40/471
6,557,281	B1 *	5/2003	Lewiner et al.	40/471
D616,945	S *	6/2010	Villasenor	D20/41
7,866,075	B2 *	1/2011	Meeker et al.	40/606.01
8,089,373	B2 *	1/2012	Beale et al.	340/905
8,136,280	B2	3/2012	Spelman	
8,336,237	B2	12/2012	Makhija et al.	
D725,013	S *	3/2015	Salinas	D12/177
2002/0038523	A1 *	4/2002	Gibbens	40/586
2002/0133988	A1 *	9/2002	Spelman	40/586
2004/0098894	A1	5/2004	Thomas	
2007/0245609	A1	10/2007	Becker	
2011/0030252	A1	2/2011	Marinakis	

Related U.S. Application Data

- (62) Division of application No. 29/459,565, filed on Jul. 1, 2013, now Pat. No. Des. 711,467.
- (51) **LOC (10) Cl.** **19-06**
- (52) **U.S. Cl.**
USPC **D19/113**
- (58) **Field of Classification Search**
USPC D19/101, 113, 114, 88; D28/64.1, 64.3
CPC B43L 1/00; B43L 1/04; B43L 5/00;
G09F 7/04; G09F 7/06; G09F 7/08; G98F
15/00; G98F 15/0006; G98F 15/0018; G98F
15/0056
See application file for complete search history.

* cited by examiner

Primary Examiner — Elizabeth Albert

(74) *Attorney, Agent, or Firm* — McGuireWoods LLP;
Charles J. Gross

(57) **CLAIM**

The ornamental design for a white board, as shown and described.

DESCRIPTION

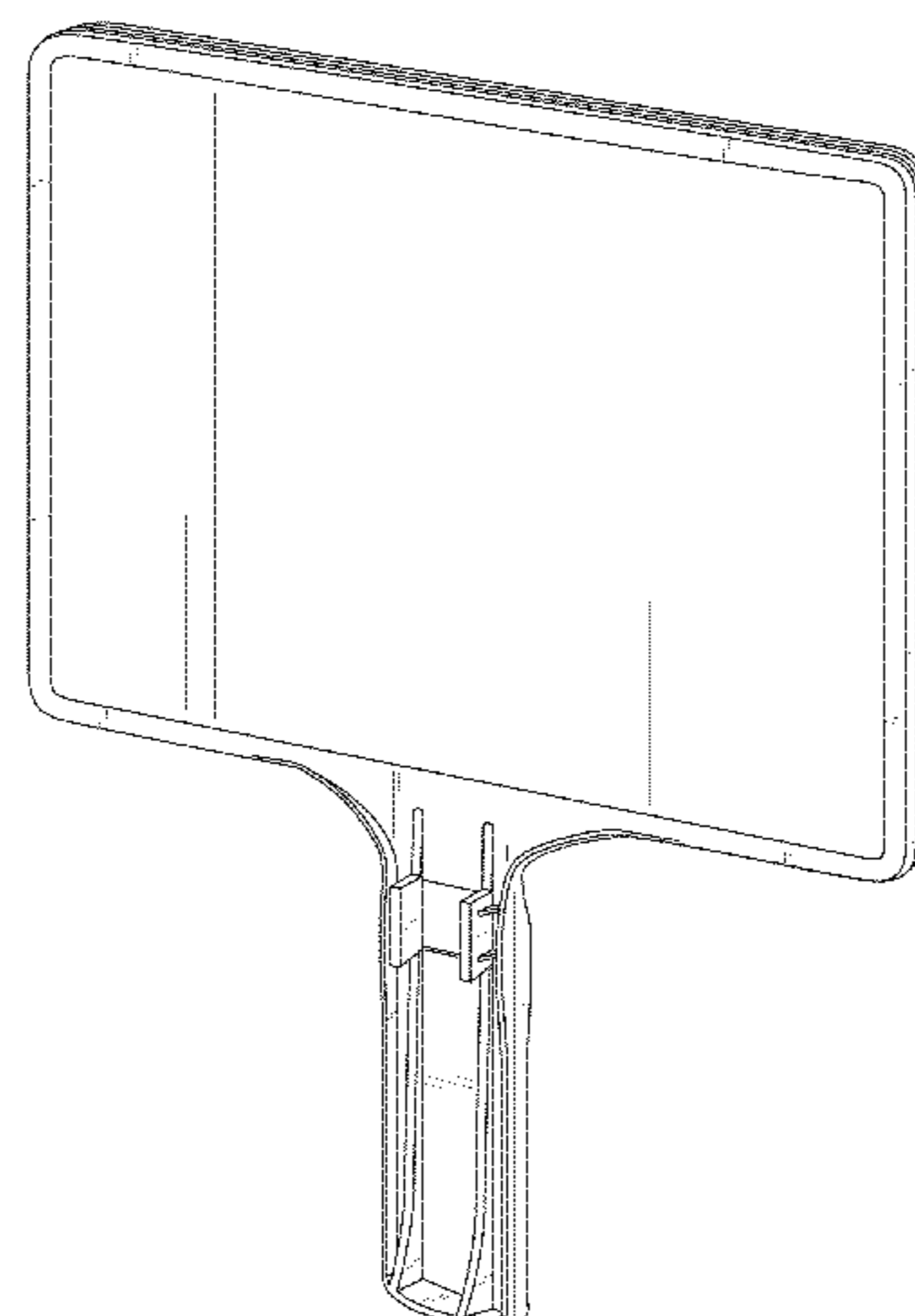
FIG. 1 is perspective view of a white board showing my new design;
 FIG. 2 is a front elevation view of FIG. 1;
 FIG. 3 is a rear elevation view of FIG. 1;
 FIG. 4 is a left side elevation view of FIG. 1;
 FIG. 5 is a right side elevation view of FIG. 1;
 FIG. 6 is a top plan view of FIG. 1;
 FIG. 7 is a bottom plan view of FIG. 1; and,
 FIG. 8 is another perspective view of FIG. 1.
 The subject matter shown in dashed lines is included to show features that form no part of the claimed design.

1 Claim, 6 Drawing Sheets

(56) **References Cited**

U.S. PATENT DOCUMENTS

1,849,361	A *	3/1932	Brett	40/607.12
2,785,487	A *	3/1957	Hopp	40/651
3,008,254	A *	11/1961	Smith	40/662
3,213,556	A *	10/1965	Cobbs	40/649
4,134,222	A	1/1979	Orsos	
D263,972	S	4/1982	Pasker	
4,329,800	A	5/1982	Shuman	
D265,746	S *	8/1982	Robillard	D20/41



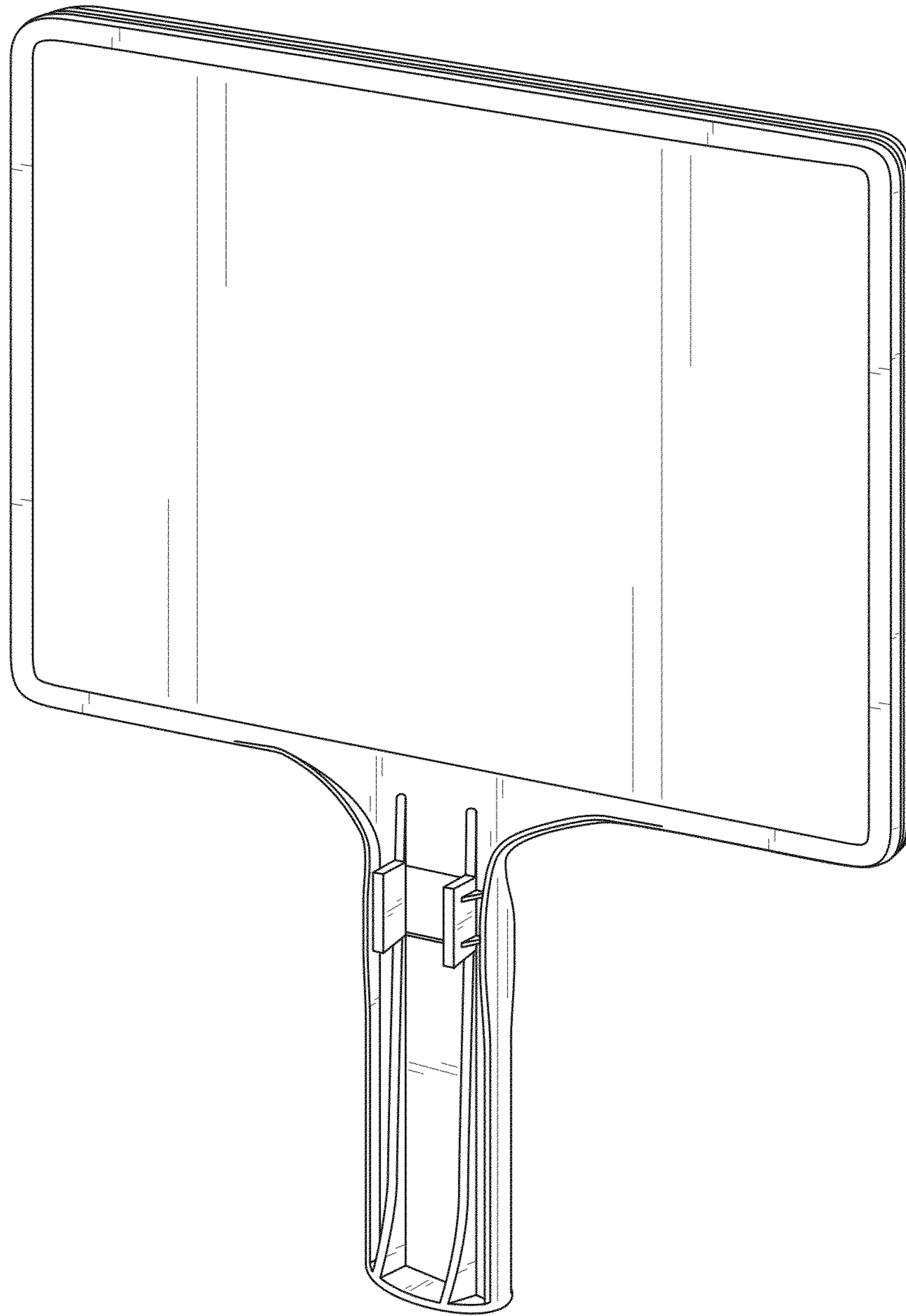


FIG. 1

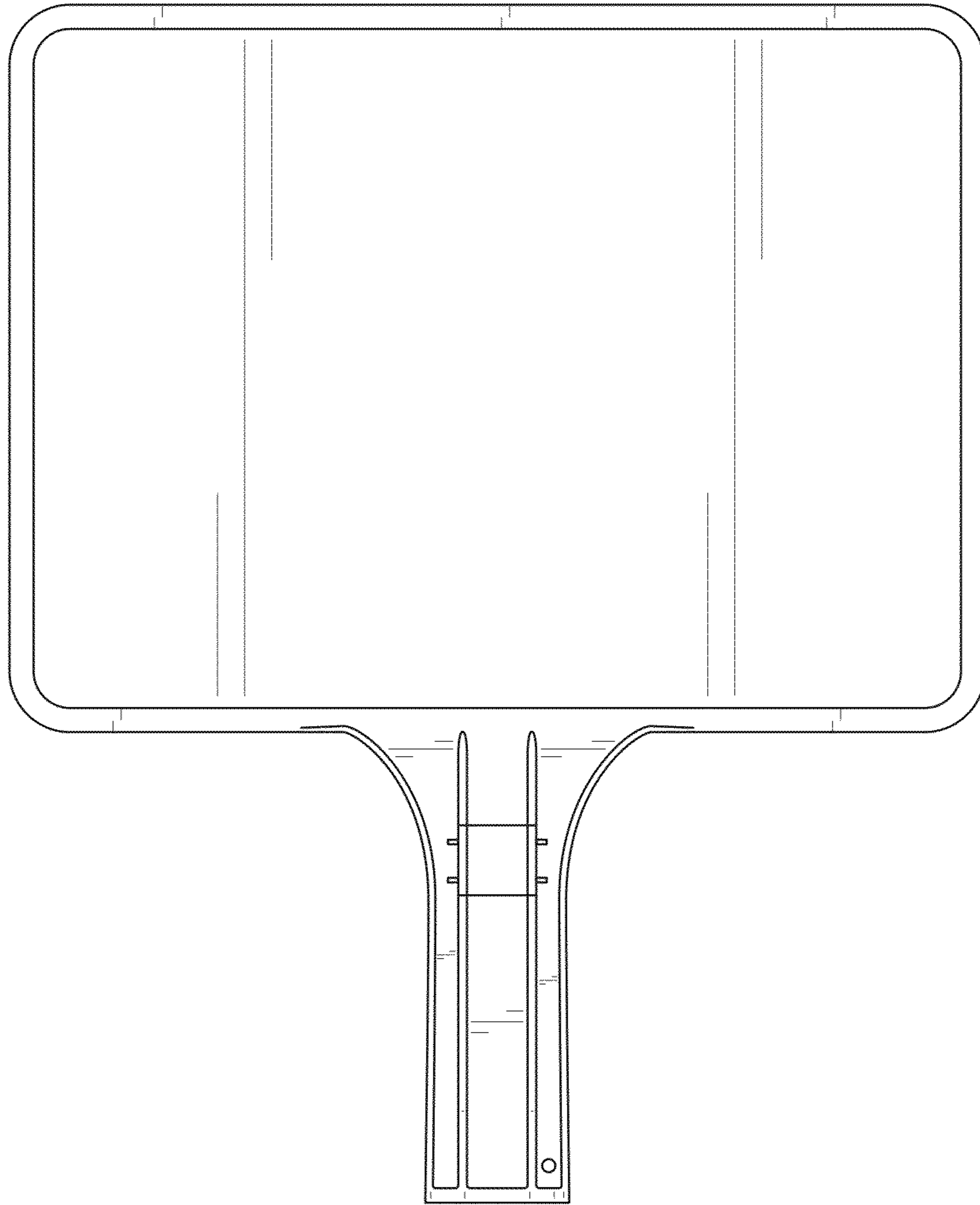


FIG. 2

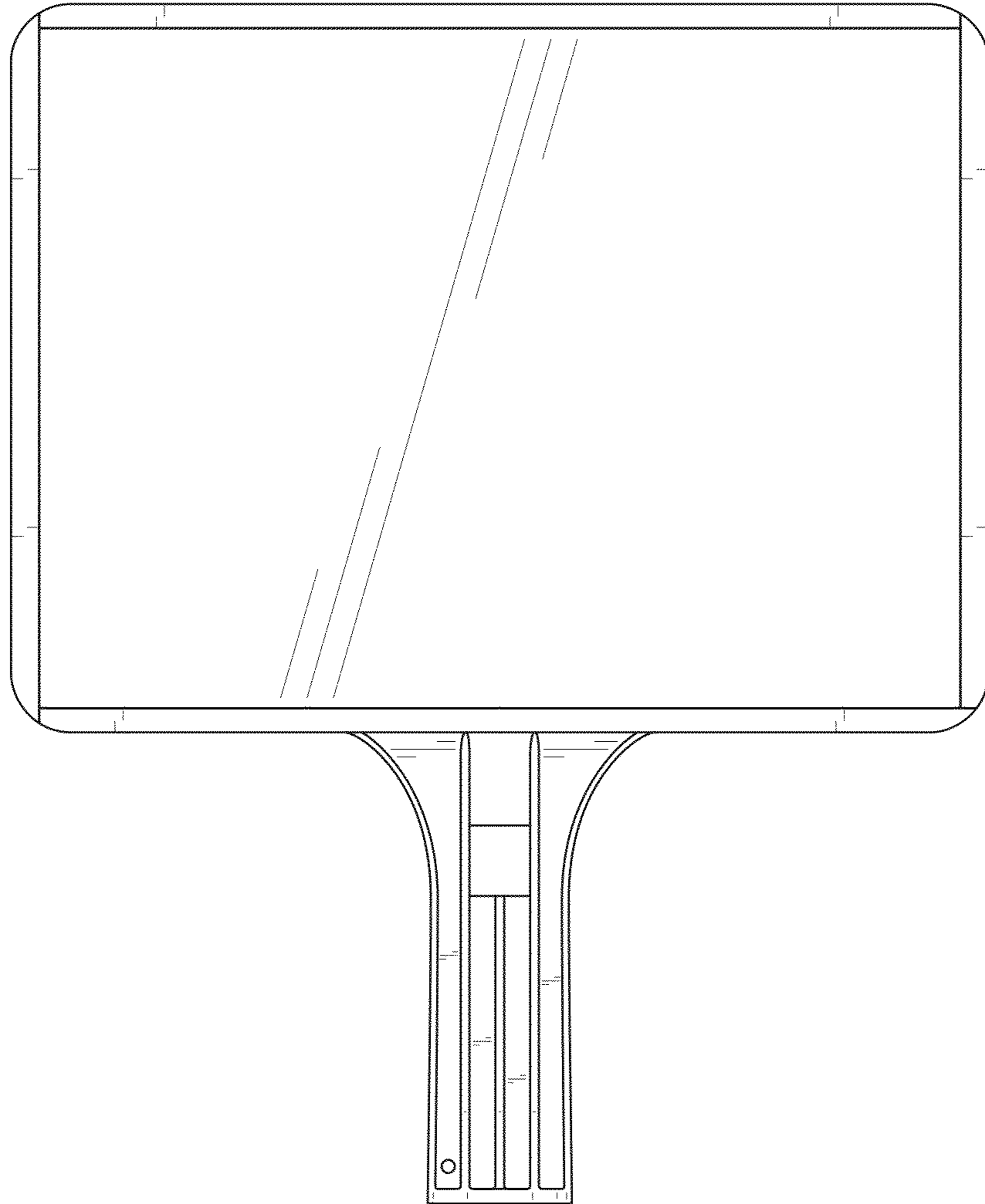


FIG. 3

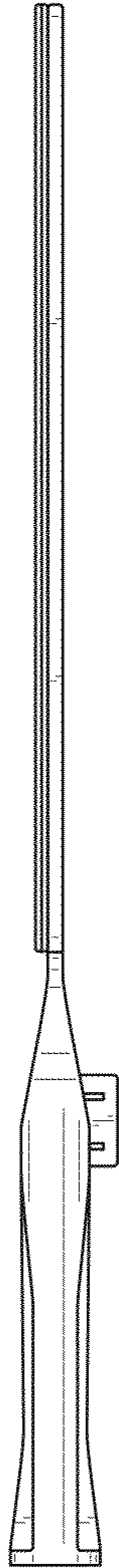


FIG. 4

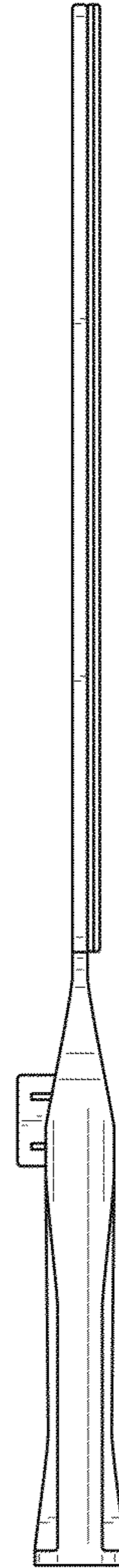


FIG. 5

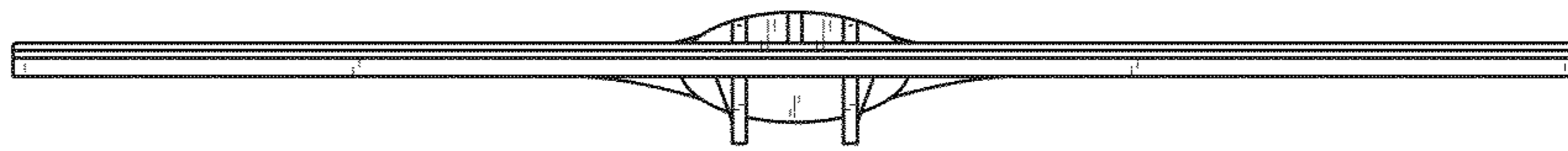


FIG. 6

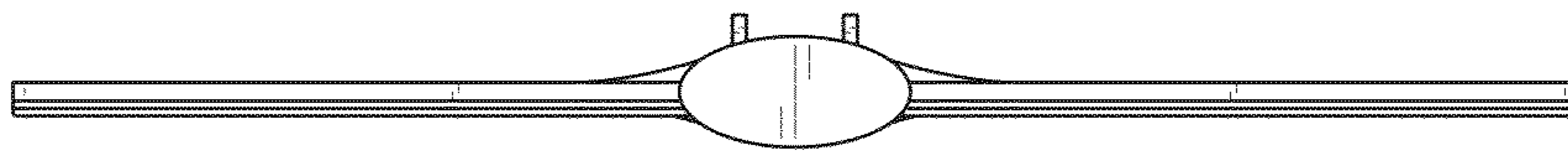


FIG. 7

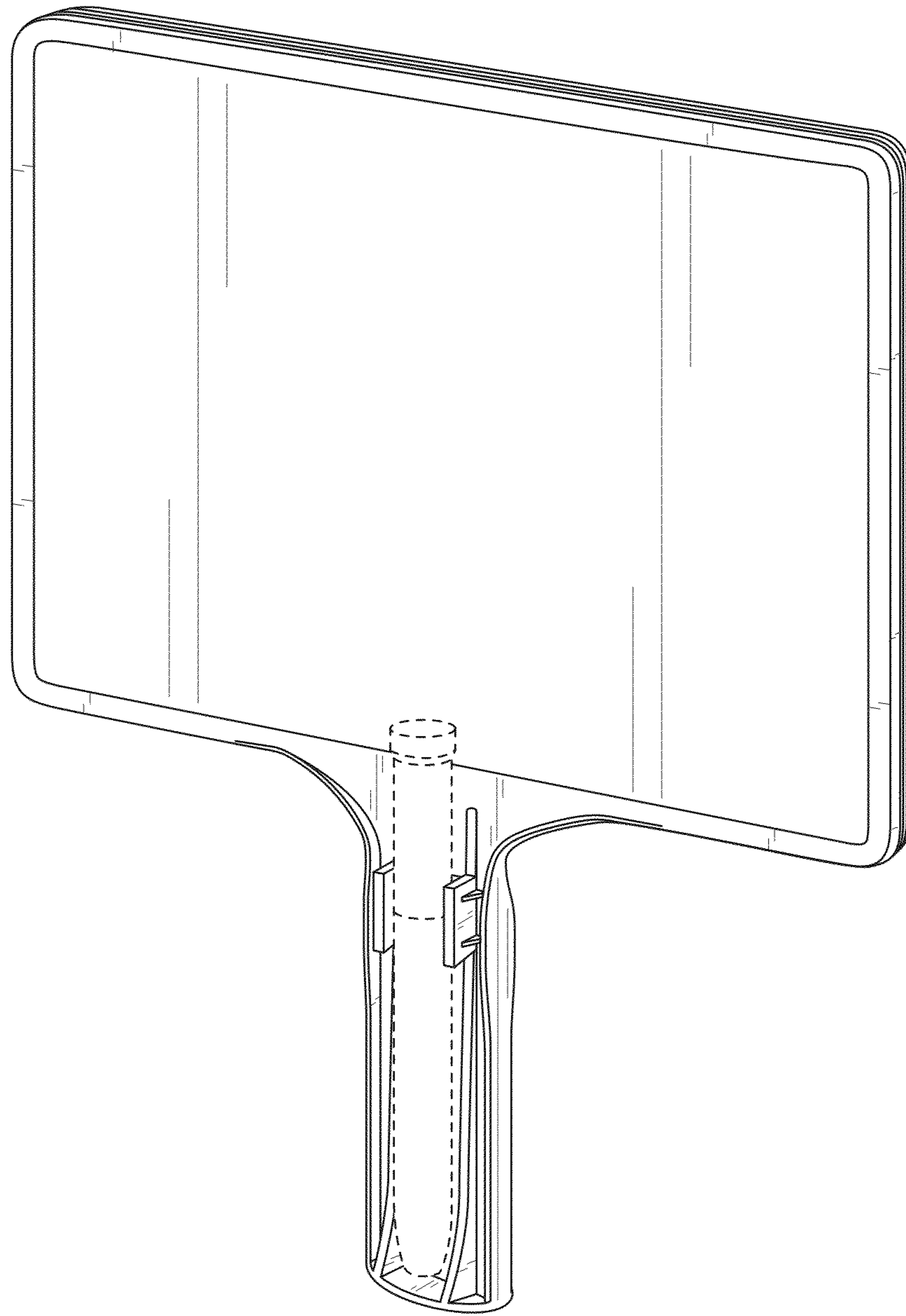


FIG. 8