

US00D740879S

(12) **United States Design Patent**  
**Cheung**

(10) **Patent No.:** **US D740,879 S**

(45) **Date of Patent:** **\*\* Oct. 13, 2015**

(54) **EYE GLASSES WITH SPRINGY HINGE**

D480,413 S \* 10/2003 Nielsen ..... D16/328

(Continued)

(71) Applicant: **Chuen Fung Spectacles Services  
Manufactory Ltd.**, Hong Kong (HK)

*Primary Examiner* — Robert M Spear

*Assistant Examiner* — Eliza Bennett-Hattan

(72) Inventor: **Hing Yuen Cheung**, Hong Kong (HK)

(73) Assignee: **CHUEN FUNG SPECTACLES  
SERVICES MANUFACTORY LTD.**,  
Hong Kong (HK)

(57) **CLAIM**

The ornamental design for eye glasses with springy hinge, as shown and described.

(\*\*) Term: **14 Years**

**DESCRIPTION**

(21) Appl. No.: **29/483,410**

(22) Filed: **Feb. 28, 2014**

(30) **Foreign Application Priority Data**

Aug. 28, 2013 (HK) ..... 1301459

(51) **LOC (10) Cl.** ..... **16-06**

(52) **U.S. Cl.**  
USPC ..... **D16/300**

(58) **Field of Classification Search**

USPC ..... D16/320, 333, 332, 325, 326, 328, 321,  
D16/318, 310, 309, 306, 300, 335, 334, 136,  
D16/330, 336, 338, 340, 341, 339, 327, 323,  
D16/303, 329, 301, 337, 342, 316, 304;  
24/58; D11/82, 49, 57, 58, 239, 224,  
D11/208, 133, 95, 33; 2/12, 442, 445, 447,  
2/448; 351/124, 69, 41, 137, 138, 139,  
351/131, 132, 136, 65, 76, 78, 79, 87, 88;  
D3/219; D20/22, 40; D5/63, 56;  
D8/19, 16, 366; 383/210; D22/108,  
D22/199

CPC ..... A63B 33/002; A61M 16/0683; B63C  
2011/128; G02C 3/003; G02C 2200/08;  
A41D 13/1161; A44B 11/006

See application file for complete search history.

(56) **References Cited**

**U.S. PATENT DOCUMENTS**

D405,818 S \* 2/1999 de Bruyn ..... D16/335

FIG. 1 is a top view of eye glasses with springy hinge showing my new design;

FIG. 2 is a bottom view thereof;

FIG. 3 is a front view thereof;

FIG. 4 is a rear view thereof;

FIG. 5 is a right view thereof;

FIG. 6 is a left view thereof;

FIG. 7 is a first perspective view thereof;

FIG. 8 is an enlarged view of the springy hinge of FIG. 7;

FIG. 9 is a second perspective view of the eye glasses with springy hinge of FIG. 1;

FIG. 10 is an enlarge view of the springy hinge of FIG. 9;

FIG. 11 is a first enlarged and exploded view of the springy hinge of FIG. 1;

FIG. 12 is an enlarged view of the springy hinge of FIG. 11;

FIG. 13 is a second enlarged and exploded view of the springy hinge of FIG. 1;

FIG. 14 is an enlarged view of the springy hinge of FIG. 13;

FIG. 15 is a top view of the springy hinge of FIG. 1;

FIG. 16 is a bottom view of the springy hinge of FIG. 15;

FIG. 17 is a right view of the springy hinge of FIG. 15;

FIG. 18 is a left view of the springy hinge of FIG. 15;

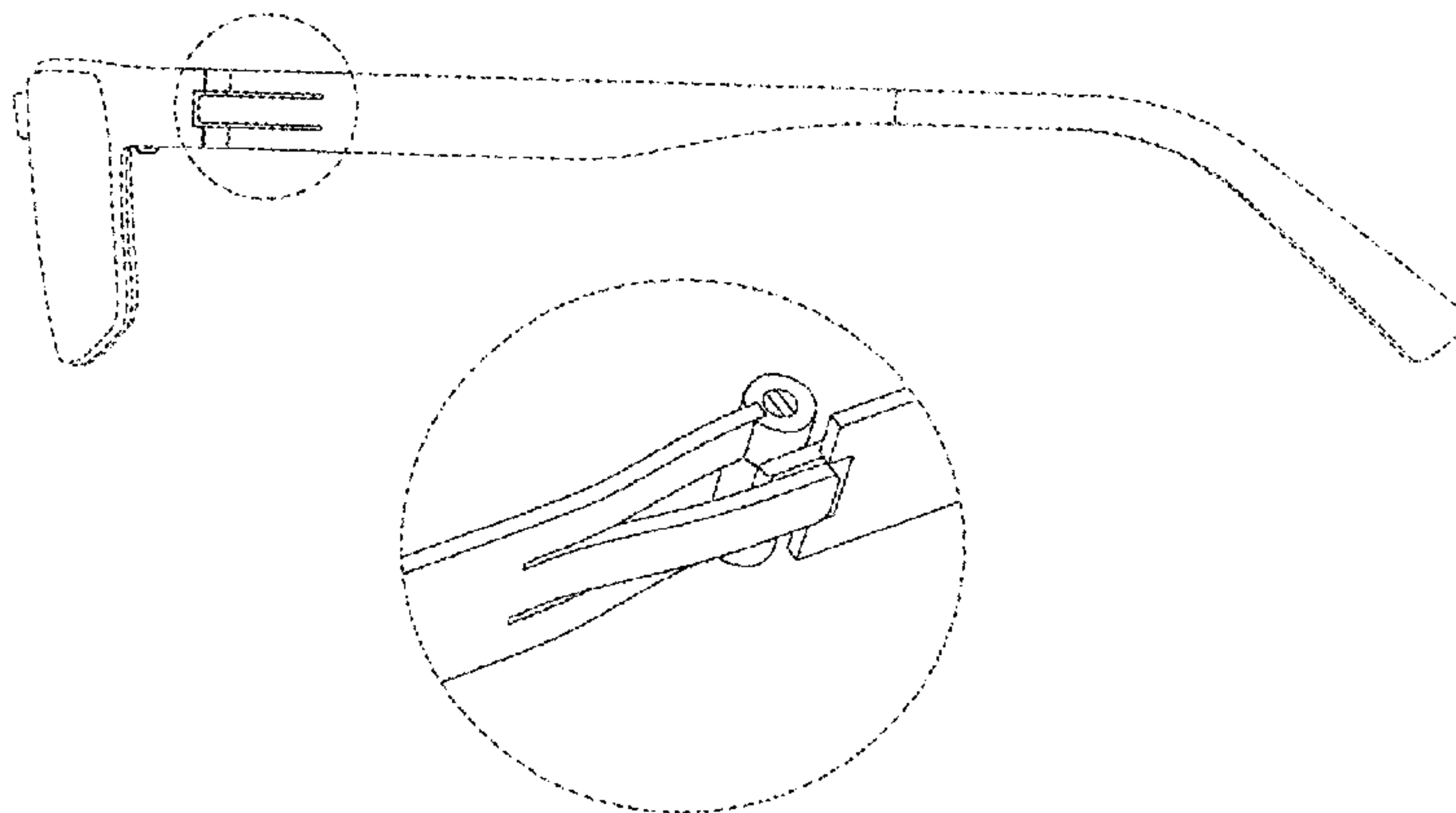
FIG. 19 is a perspective view of the springy hinge of FIG. 15;

FIG. 20 is an enlarged and exploded view of the springy hinge of FIG. 15; and,

FIG. 21 is an enlarged and assembled view of the springy hinge of FIG. 20.

The broken lines are for illustrative purposes only and form no part of the claimed design.

**1 Claim, 11 Drawing Sheets**



# US D740,879 S

Page 2

---

(56)

## References Cited

### U.S. PATENT DOCUMENTS

D495,357 S \* 8/2004 Nielsen ..... D16/328  
D546,368 S \* 7/2007 Park ..... D16/328

D551,283 S \* 9/2007 Hofmann ..... D16/327  
D638,464 S \* 5/2011 Schwarzbauer ..... D16/329  
D658,226 S \* 4/2012 Sierra et al. .... D16/334  
D682,924 S \* 5/2013 Cheung ..... D16/334

\* cited by examiner

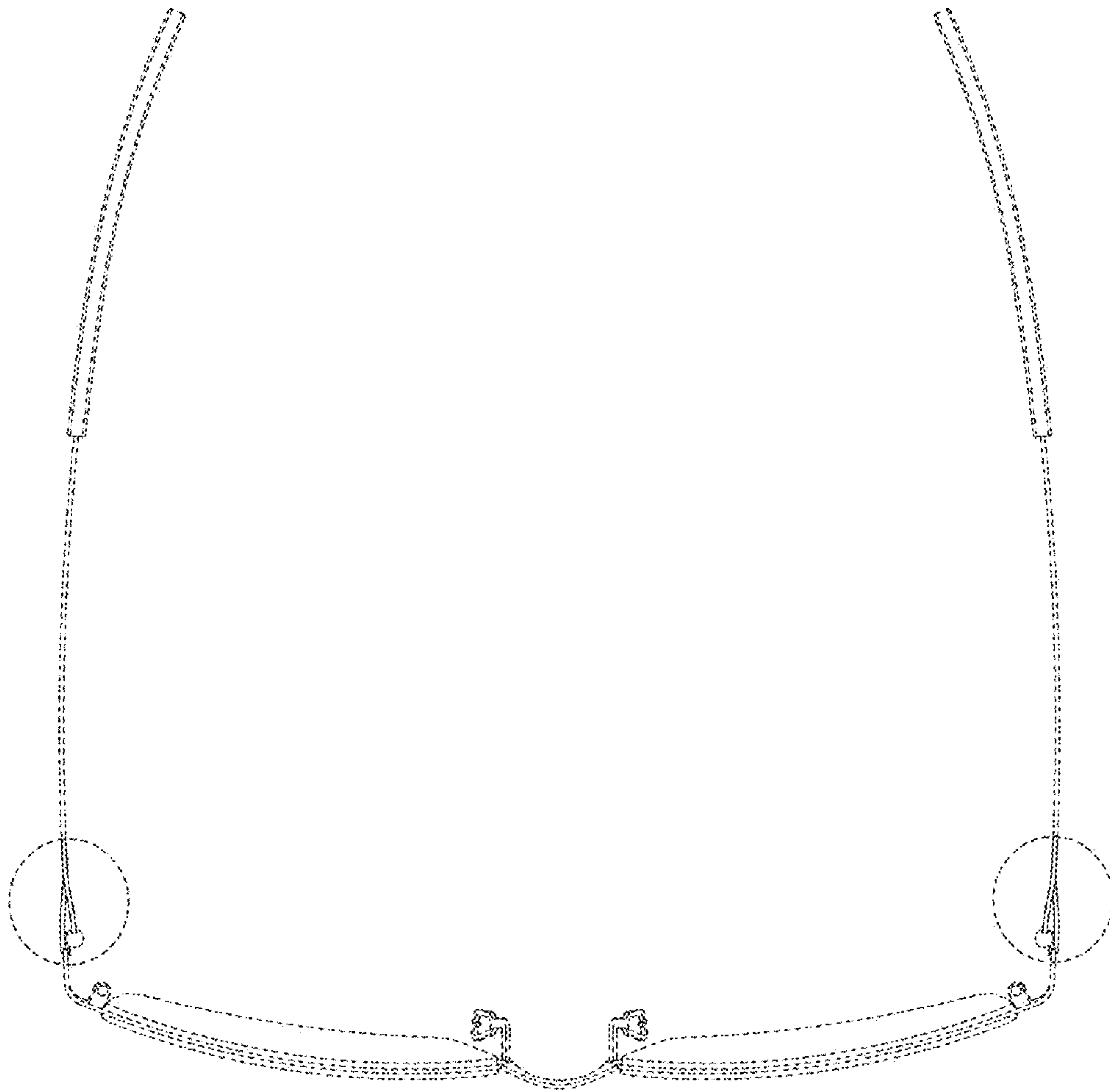


Fig. 1



Fig.2

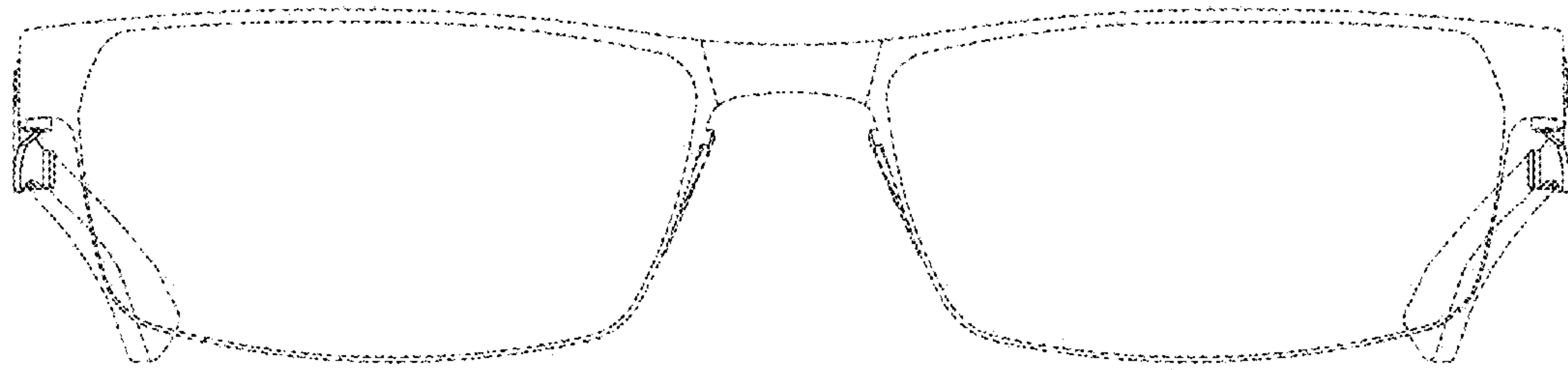


Fig.3

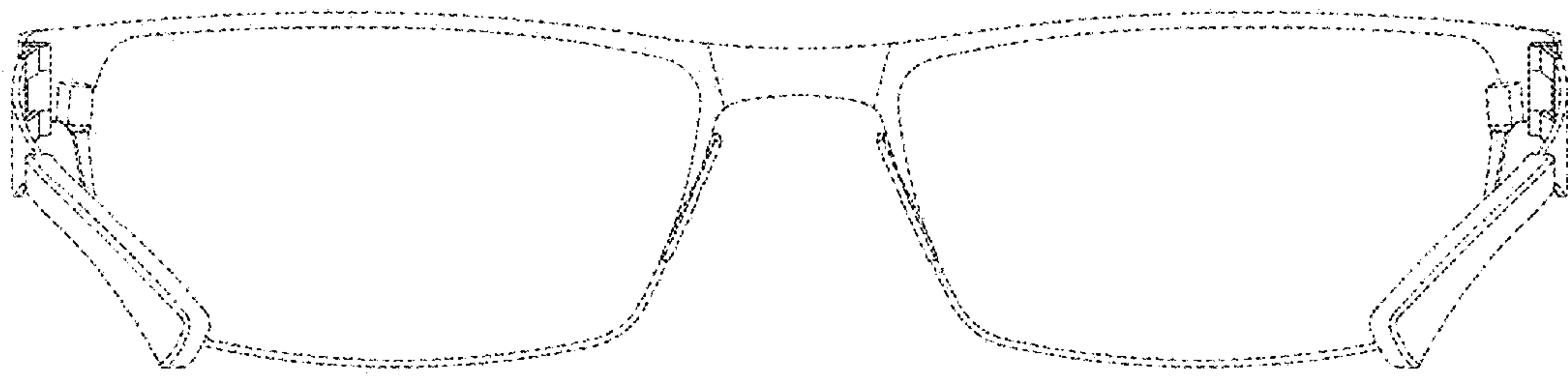


Fig.4

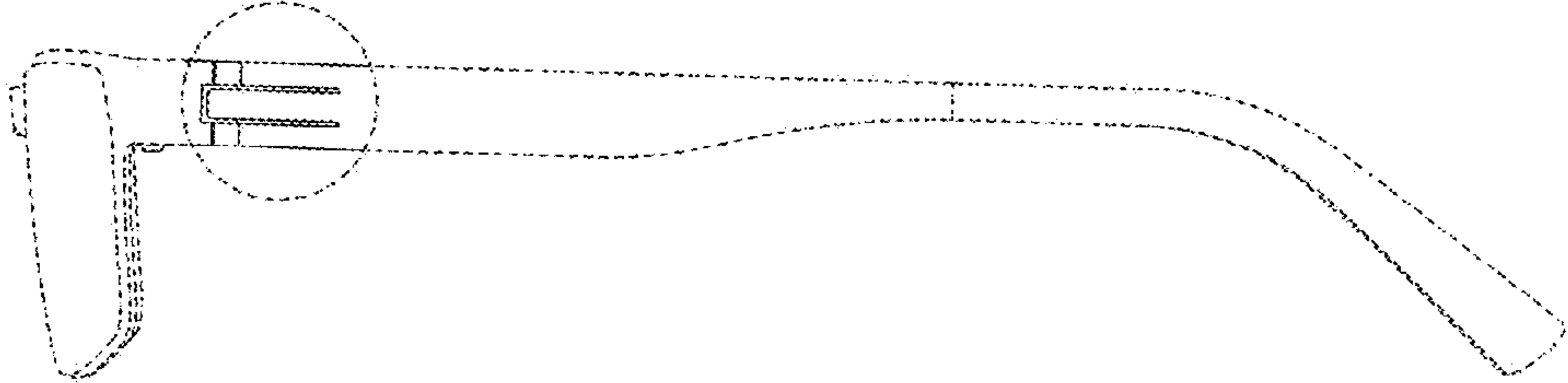


Fig.5

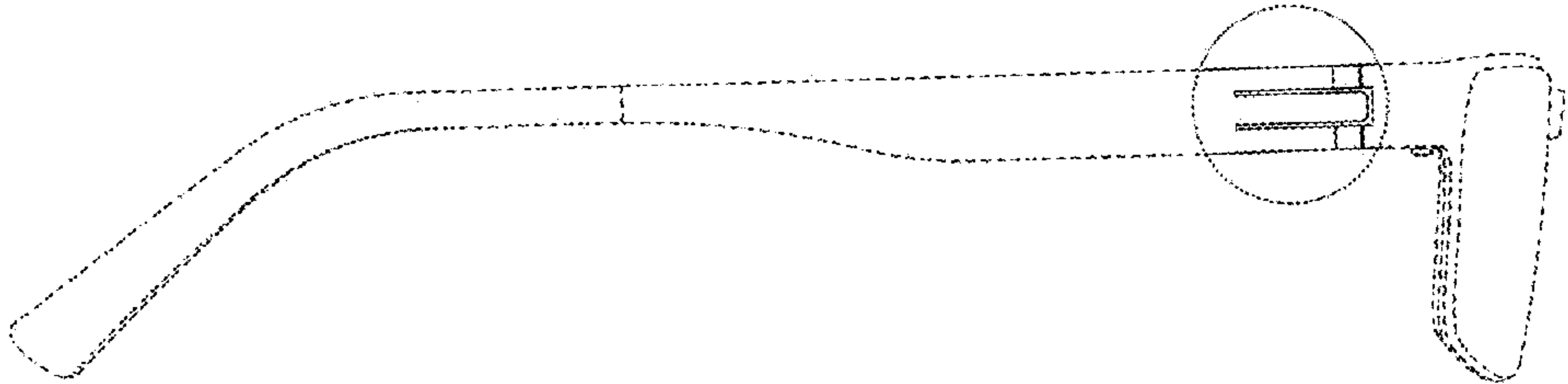


Fig.6

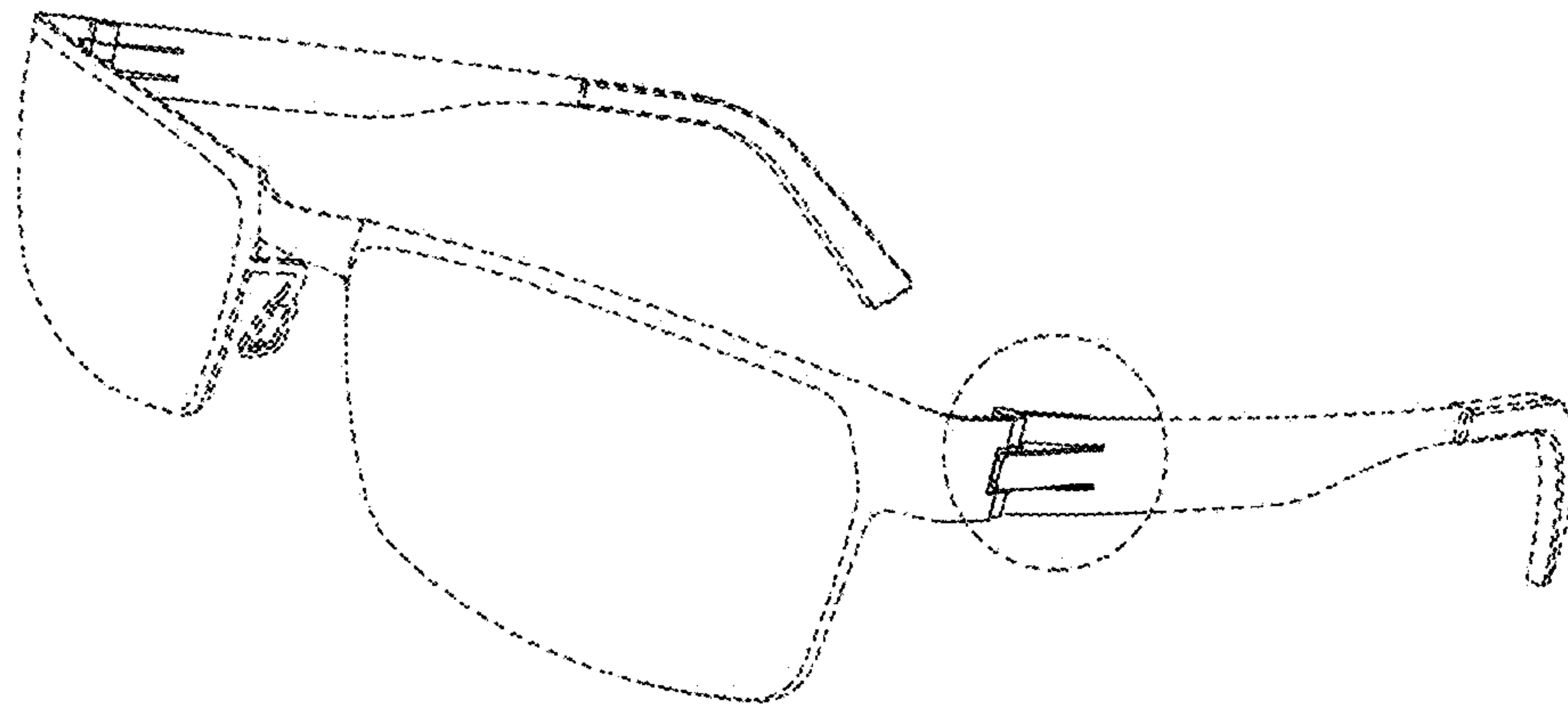


Fig. 7

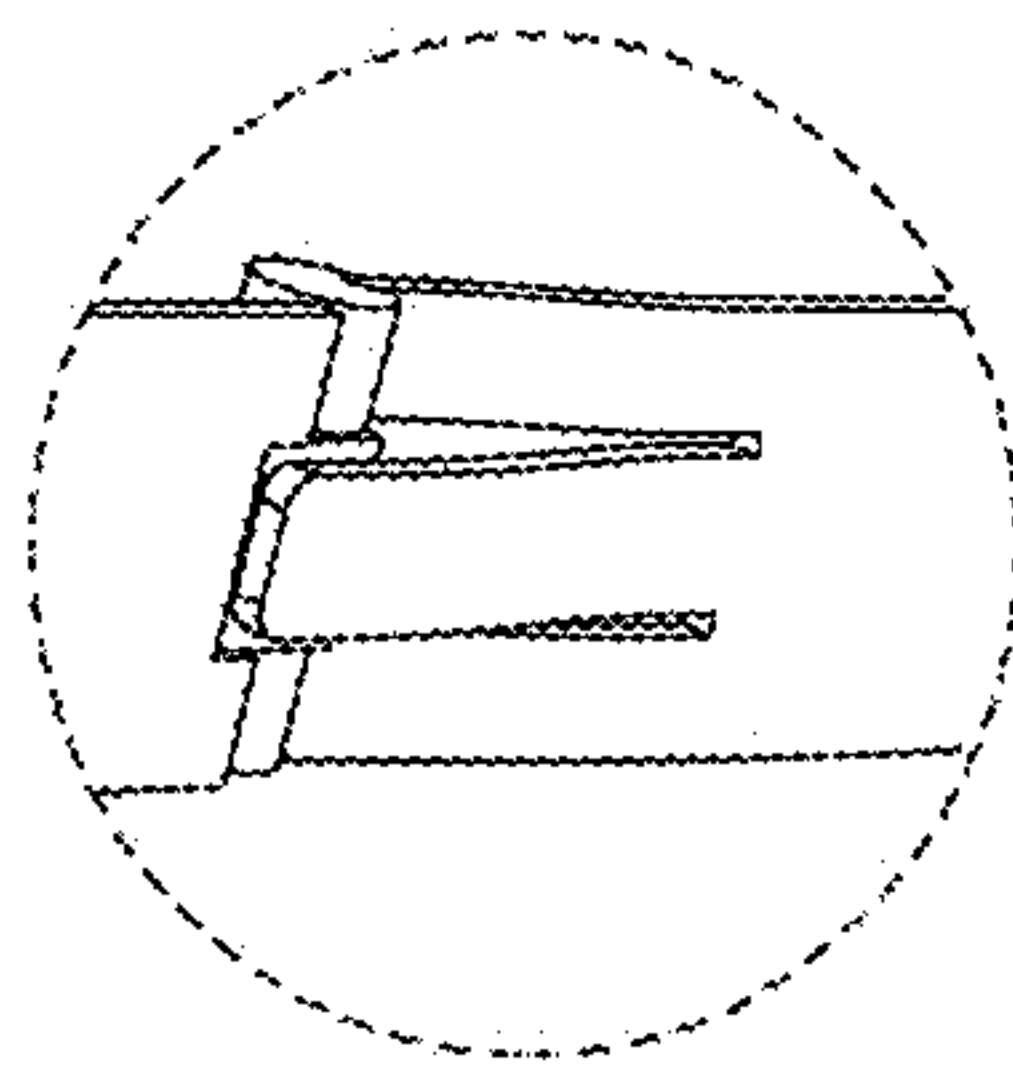


Fig. 8



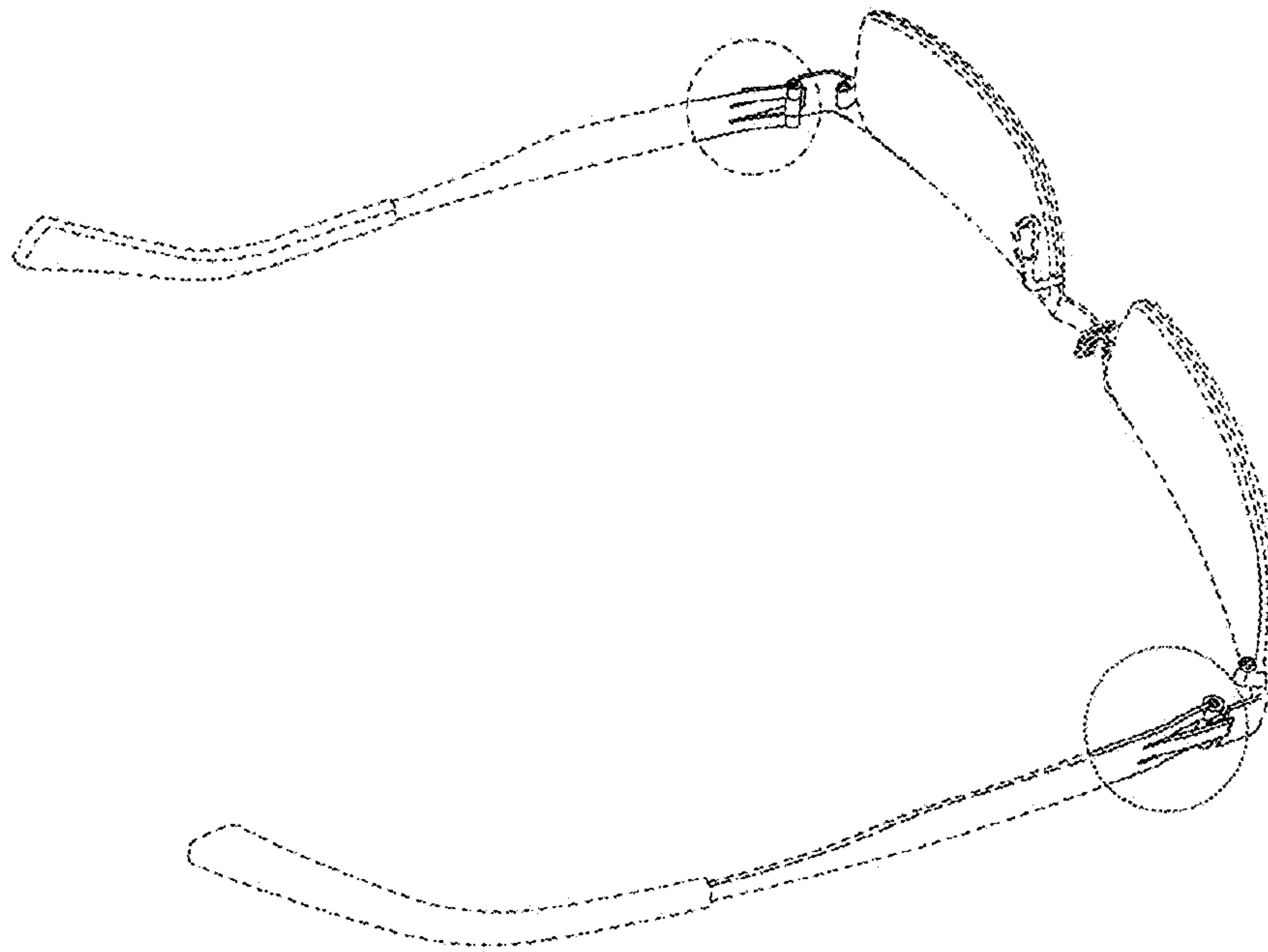


Fig. 9

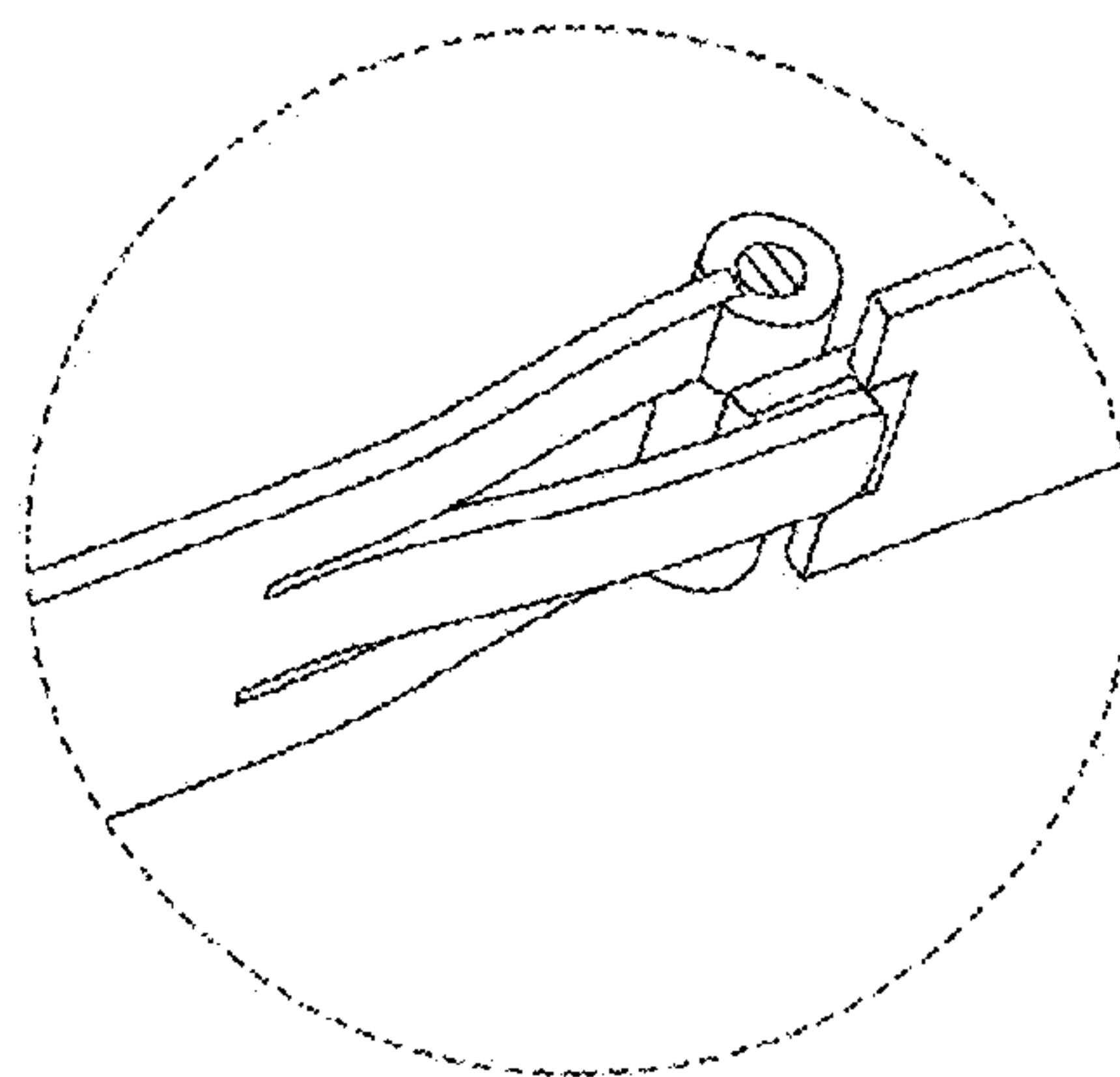


Fig. 10

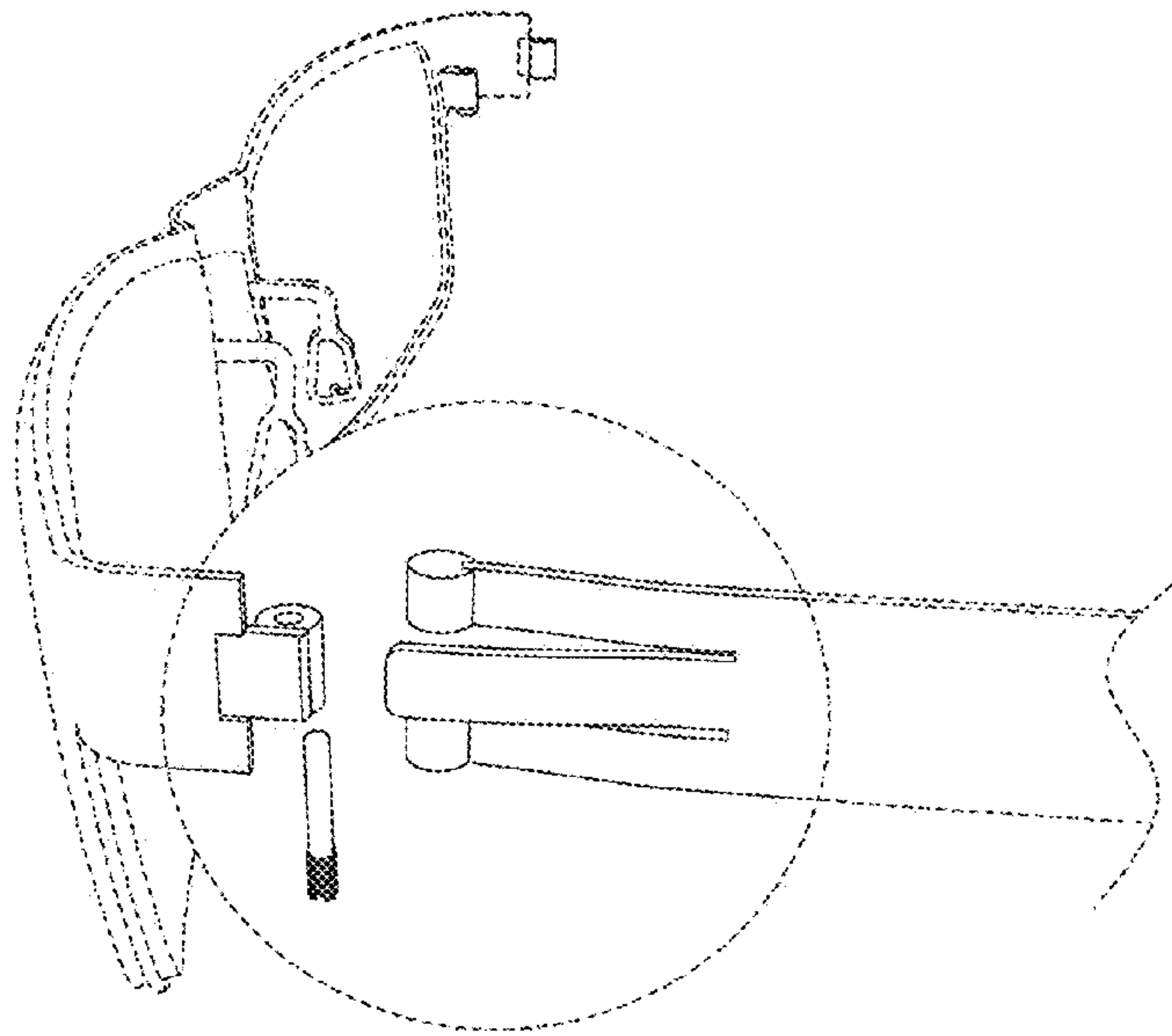


Fig. 11

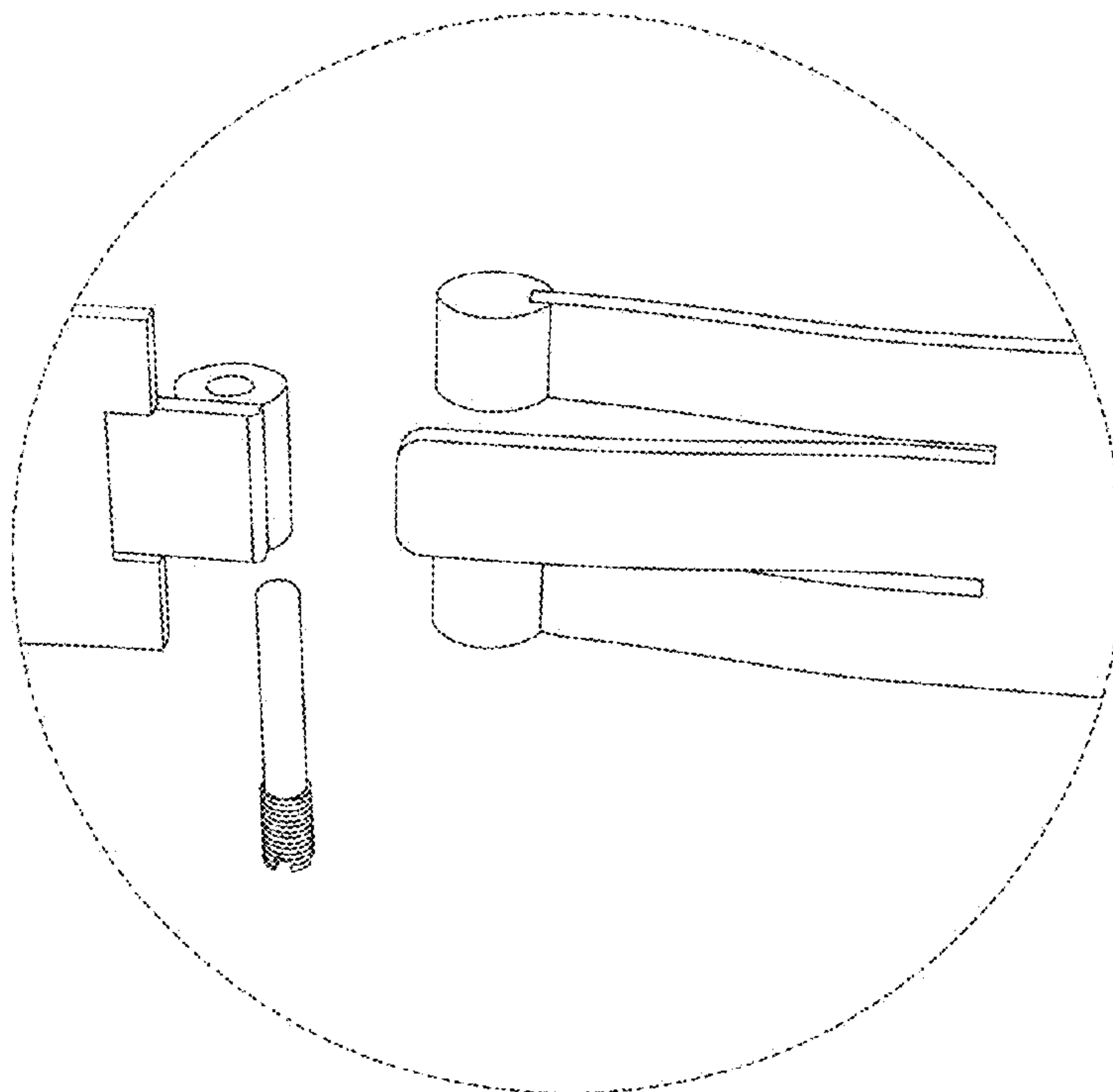


Fig. 12

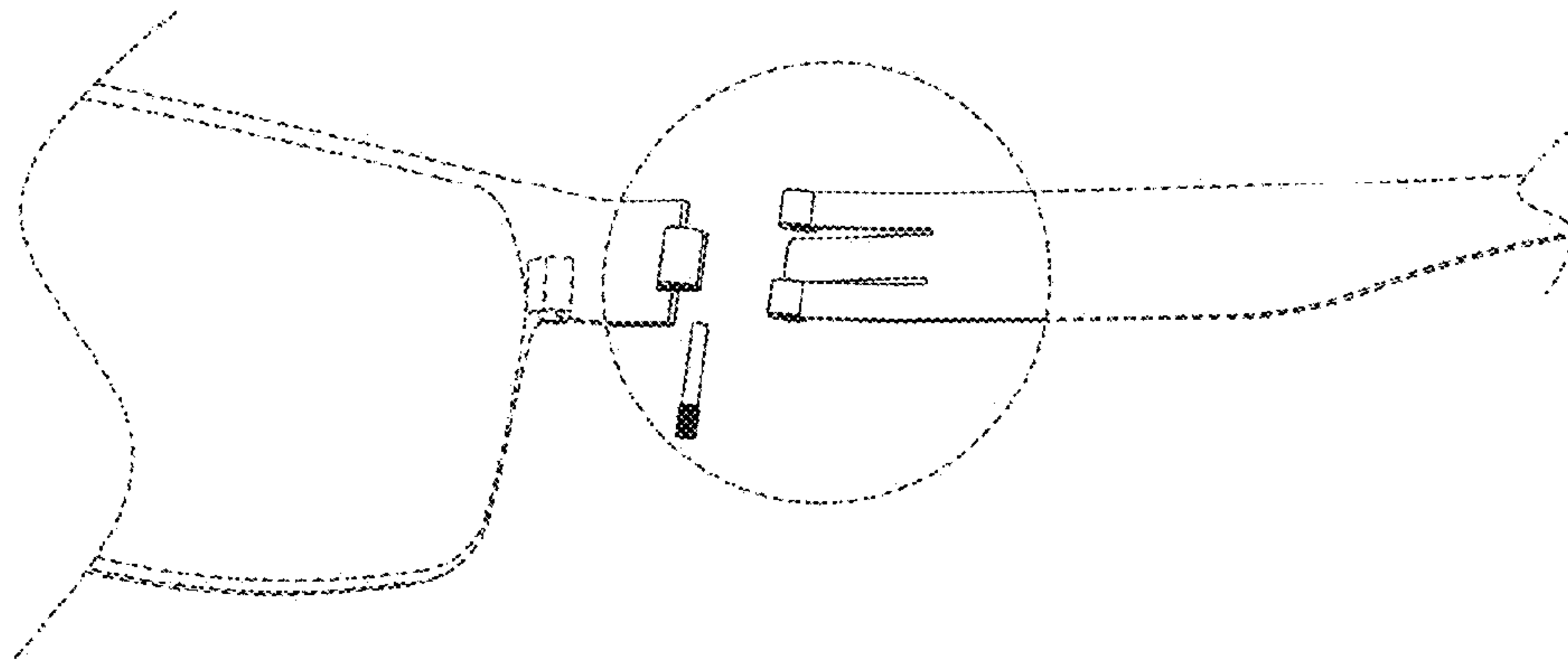


Fig. 13

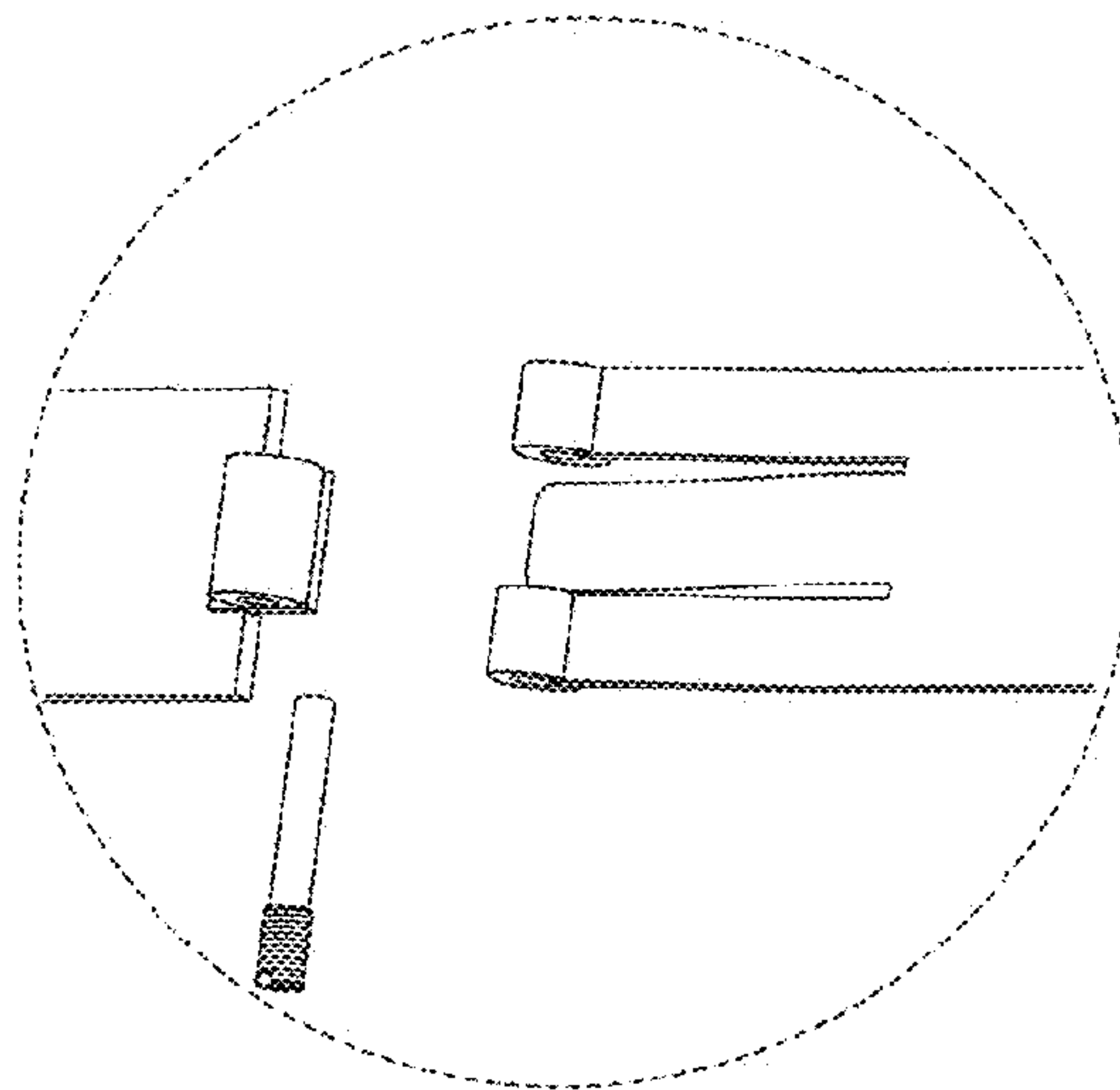


Fig. 14

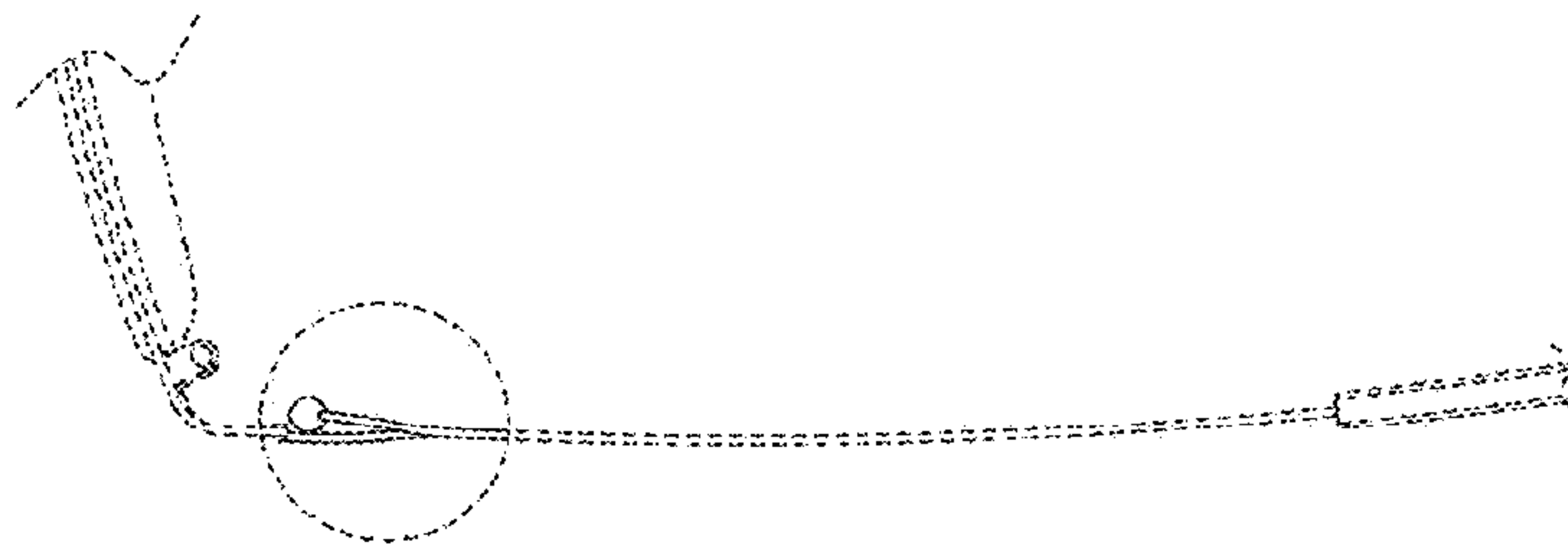


Fig. 15

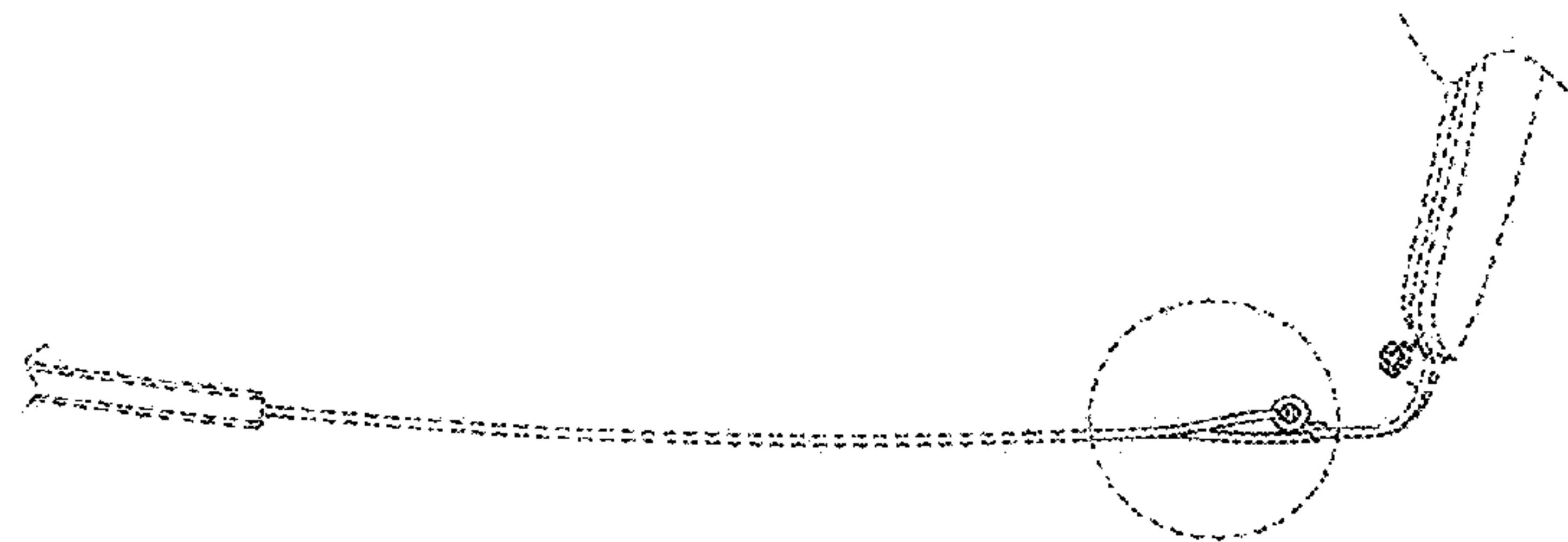


Fig. 16

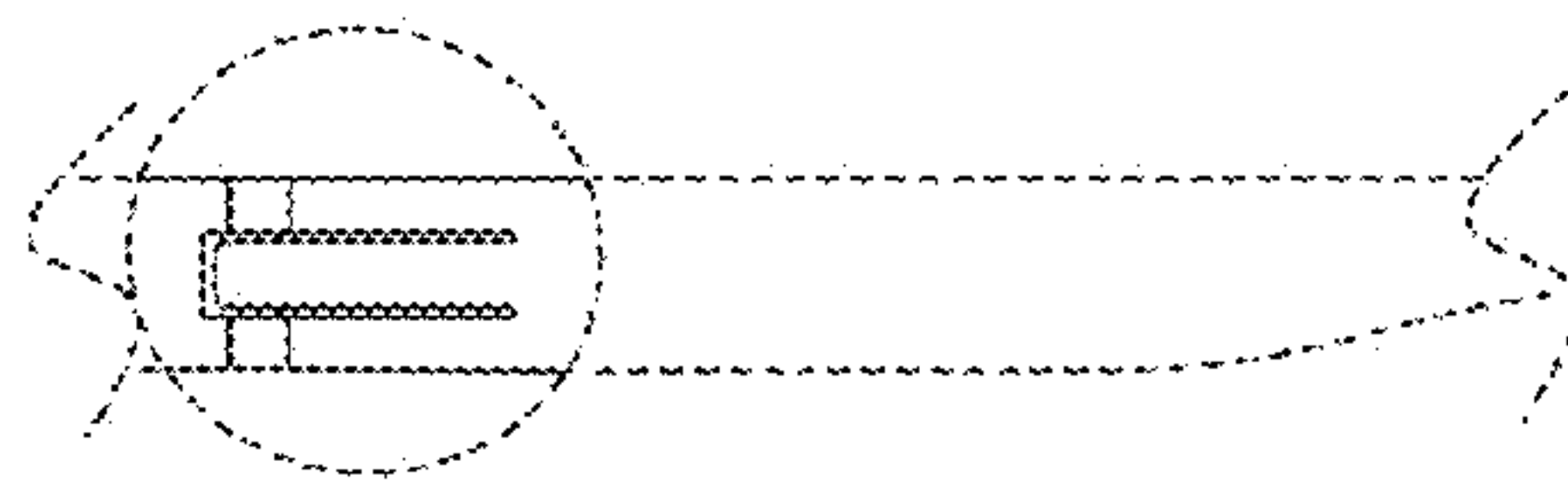


Fig. 17

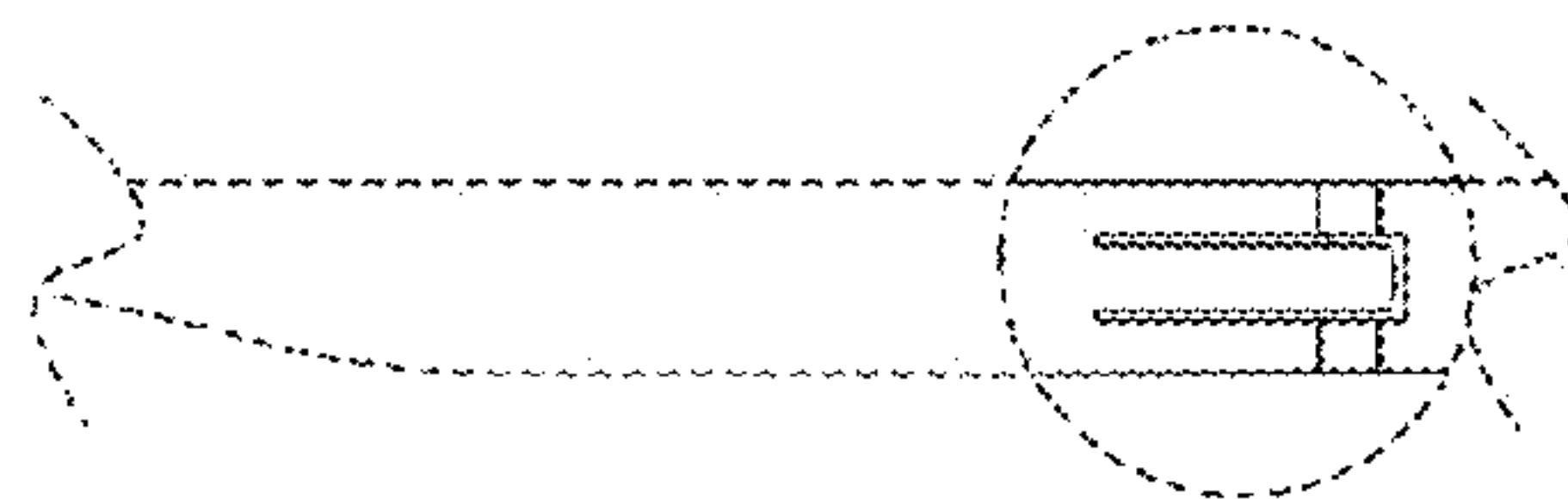


Fig. 18

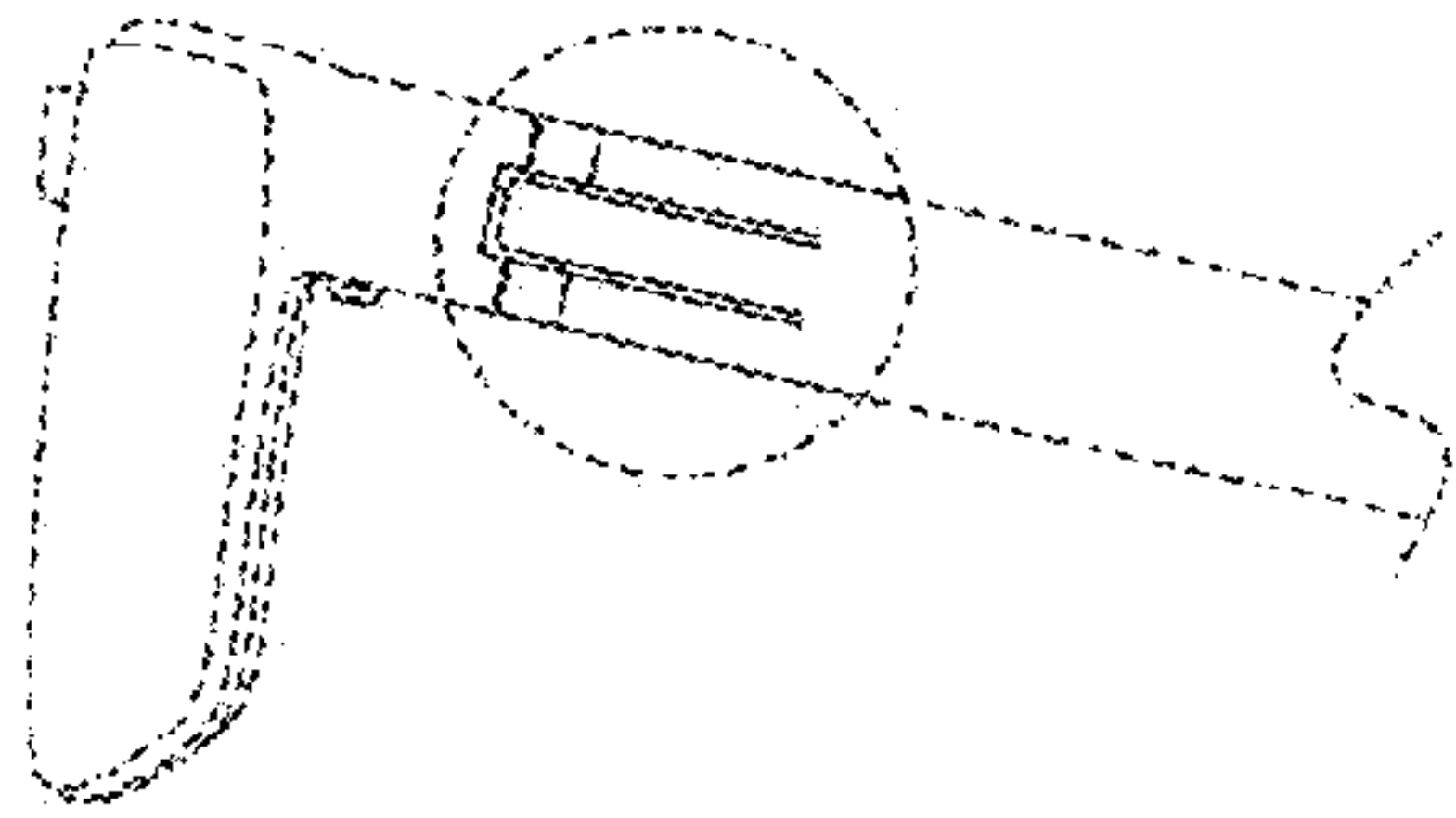


Fig. 19

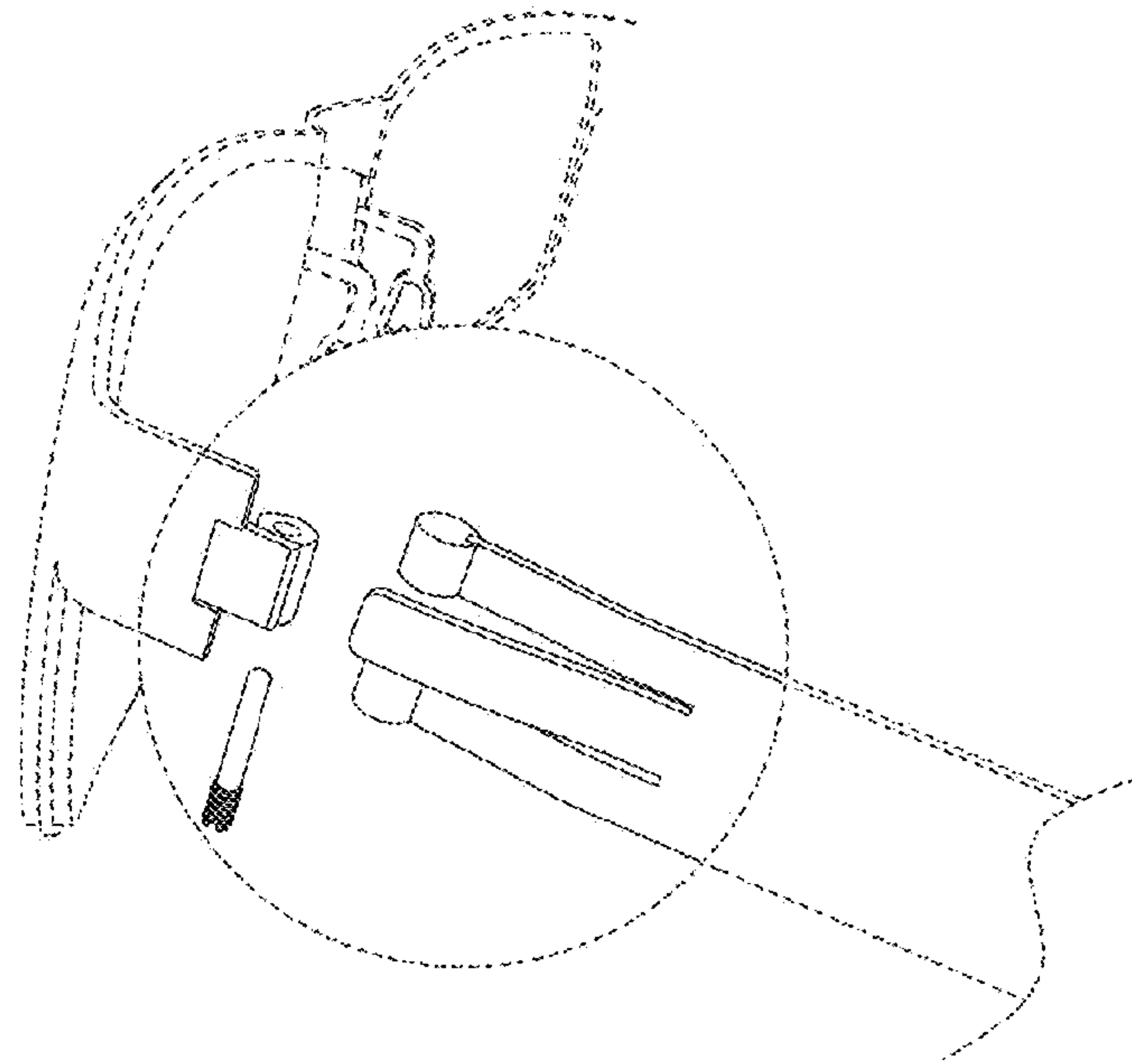


Fig. 20

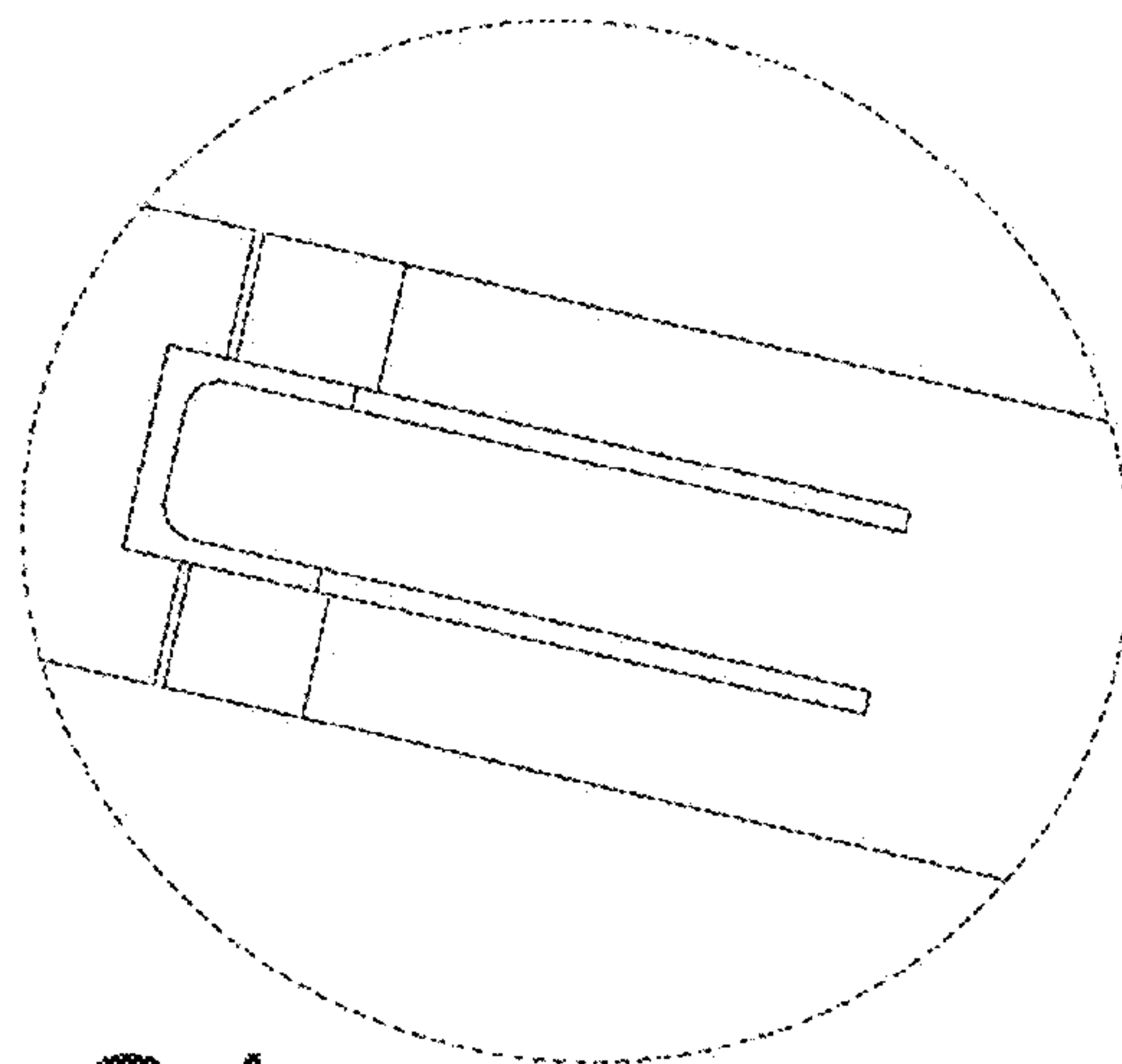


Fig. 21