



US00D740877S

(12) **United States Design Patent**
Yuyama

(10) **Patent No.:** **US D740,877 S**

(45) **Date of Patent:** **** Oct. 13, 2015**

(54) **PROJECTOR**

(71) Applicant: **Panasonic Corporation**, Osaka (JP)

(72) Inventor: **Keiji Yuyama**, Osaka (JP)

(73) Assignee: **Panasonic Intellectual Property Management Co., Ltd.**, Osaka (JP)

(**) Term: **14 Years**

(21) Appl. No.: **29/494,697**

(22) Filed: **Jun. 24, 2014**

(30) **Foreign Application Priority Data**

Feb. 19, 2014 (JP) 2014-003317
Feb. 19, 2014 (JP) 2014-003318

(51) **LOC (10) Cl.** **16-02**

(52) **U.S. Cl.**
USPC **D16/235**

(58) **Field of Classification Search**
USPC D16/203-204, 219, 221, 225, 230, 235,
D16/229; D26/61, 63, 68; 353/115, 119,
353/122; D21/514; 362/362
CPC G03B 21/00; G03B 21/28; G03B 17/54;
G03B 21/145

See application file for complete search history.

(56) **References Cited**

U.S. PATENT DOCUMENTS

D487,903 S * 3/2004 Panasewicz et al. D16/225
D554,685 S * 11/2007 Ishikawa D16/221
D617,823 S * 6/2010 Hale D16/225

D727,998 S * 4/2015 Yuyama D16/230
D727,999 S * 4/2015 Yuyama et al. D16/230
2014/0146296 A1* 5/2014 Tian et al. 353/101

* cited by examiner

Primary Examiner — Wan Laymon

(74) *Attorney, Agent, or Firm* — Panasonic Patent Center

(57) **CLAIM**

The ornamental design for projector, as shown and described.

DESCRIPTION

FIG. 1 is a front perspective view of a first embodiment of projector of the present invention;
FIG. 2 is a front view thereof;
FIG. 3 is a rear view thereof;
FIG. 4 is a first side view thereof;
FIG. 5 is a second side view thereof;
FIG. 6 is a top view thereof;
FIG. 7 is a bottom view thereof;
FIG. 8 is an end view taken along the line 8-8 in FIG. 2 with the internal parts being omitted;
FIG. 9 is an end view taken along the line 9-9 in FIG. 2 with the internal parts being omitted;
FIG. 10 is a front perspective view of a second embodiment of projector of the present invention;
FIG. 11 is a front view thereof;
FIG. 12 is a rear view thereof;
FIG. 13 is a first side view thereof;
FIG. 14 is a second side view thereof;
FIG. 15 is a top view thereof;
FIG. 16 is a bottom view thereof; and,
FIG. 17 is an end view taken along the line 17-17 in FIG. 11 with the internal parts being omitted.
The broken line showing of projector is included for the purpose of illustrating environment and forms no part of the claimed design.

1 Claim, 17 Drawing Sheets

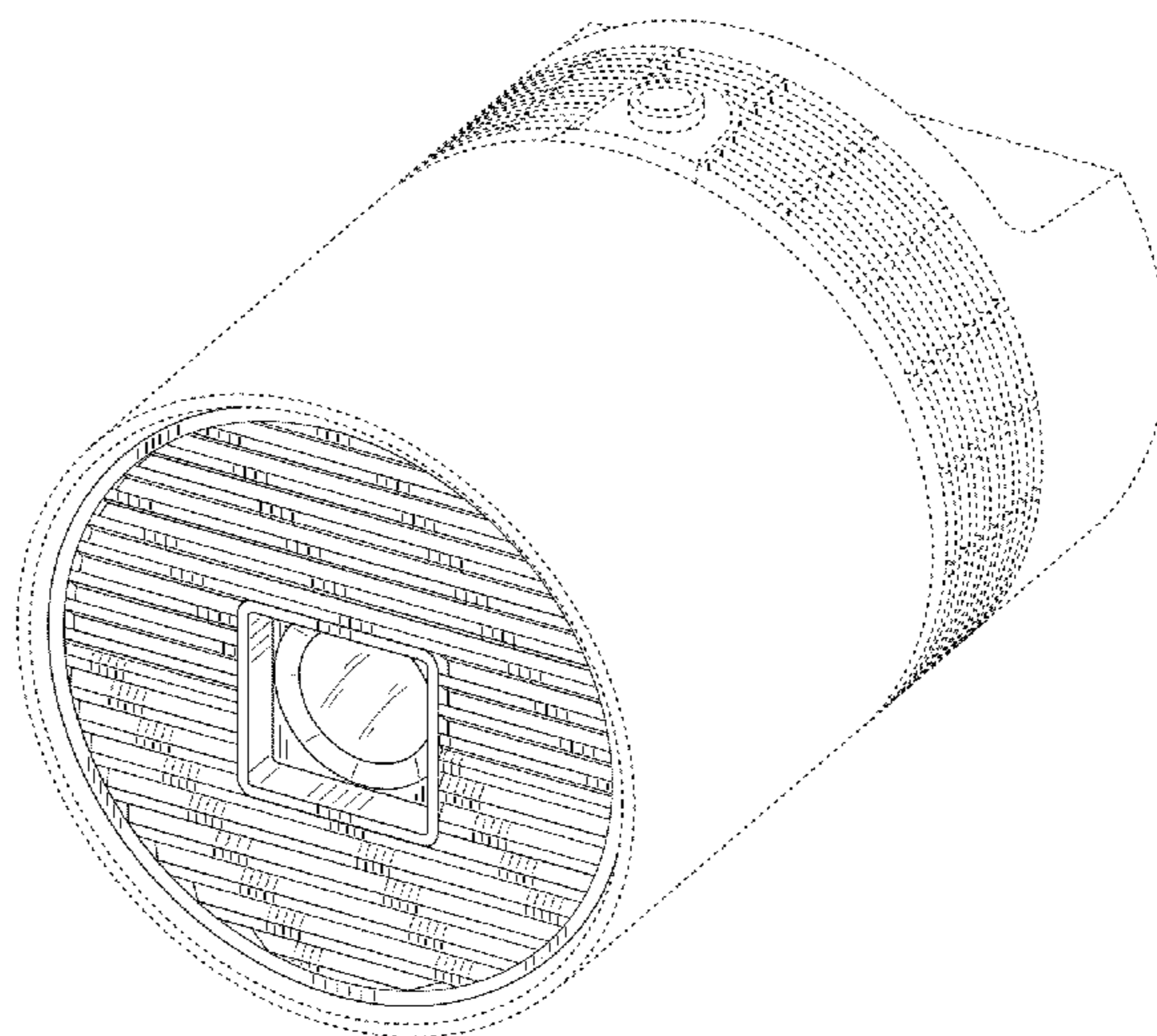
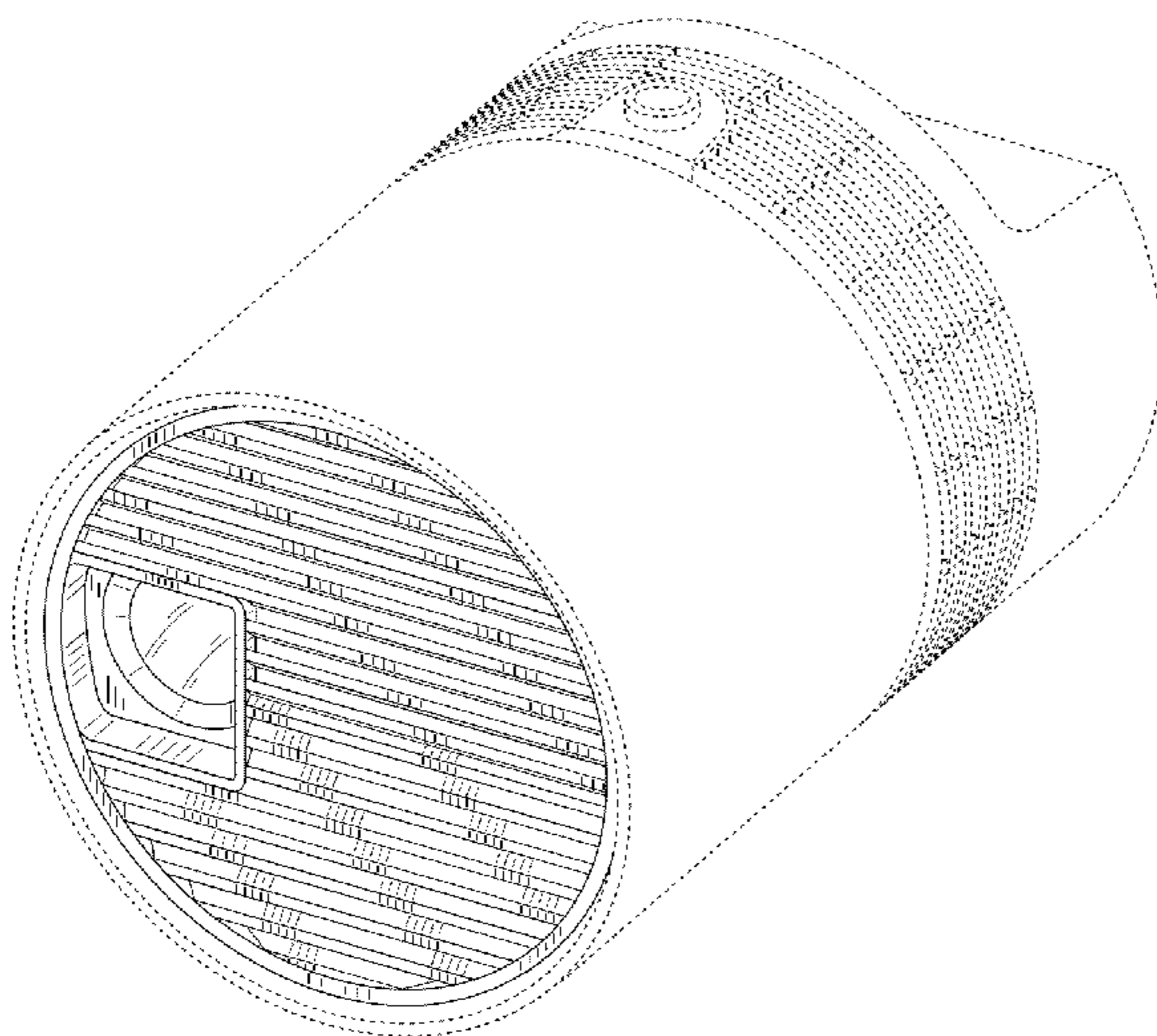


FIG. 1

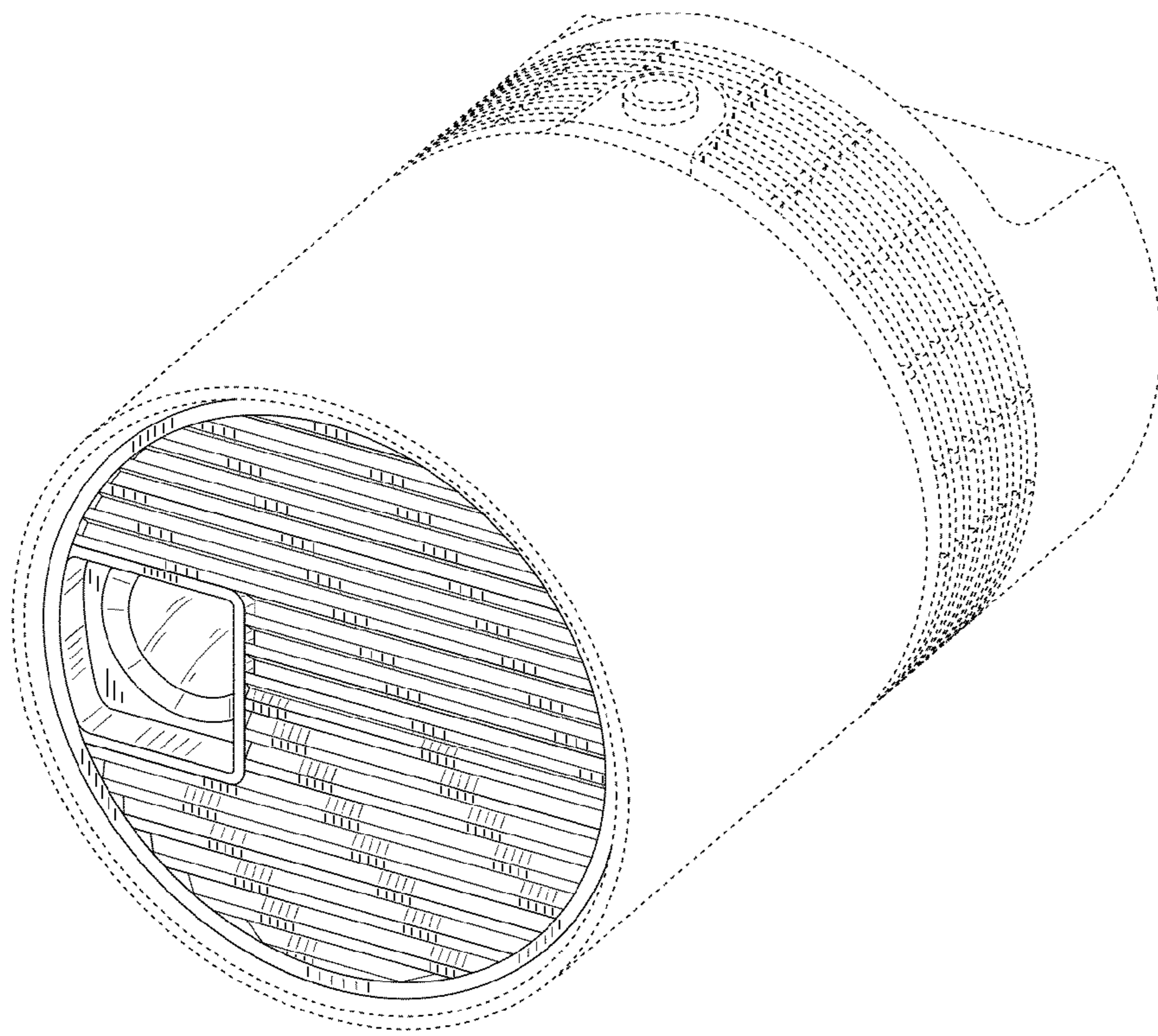


FIG. 2

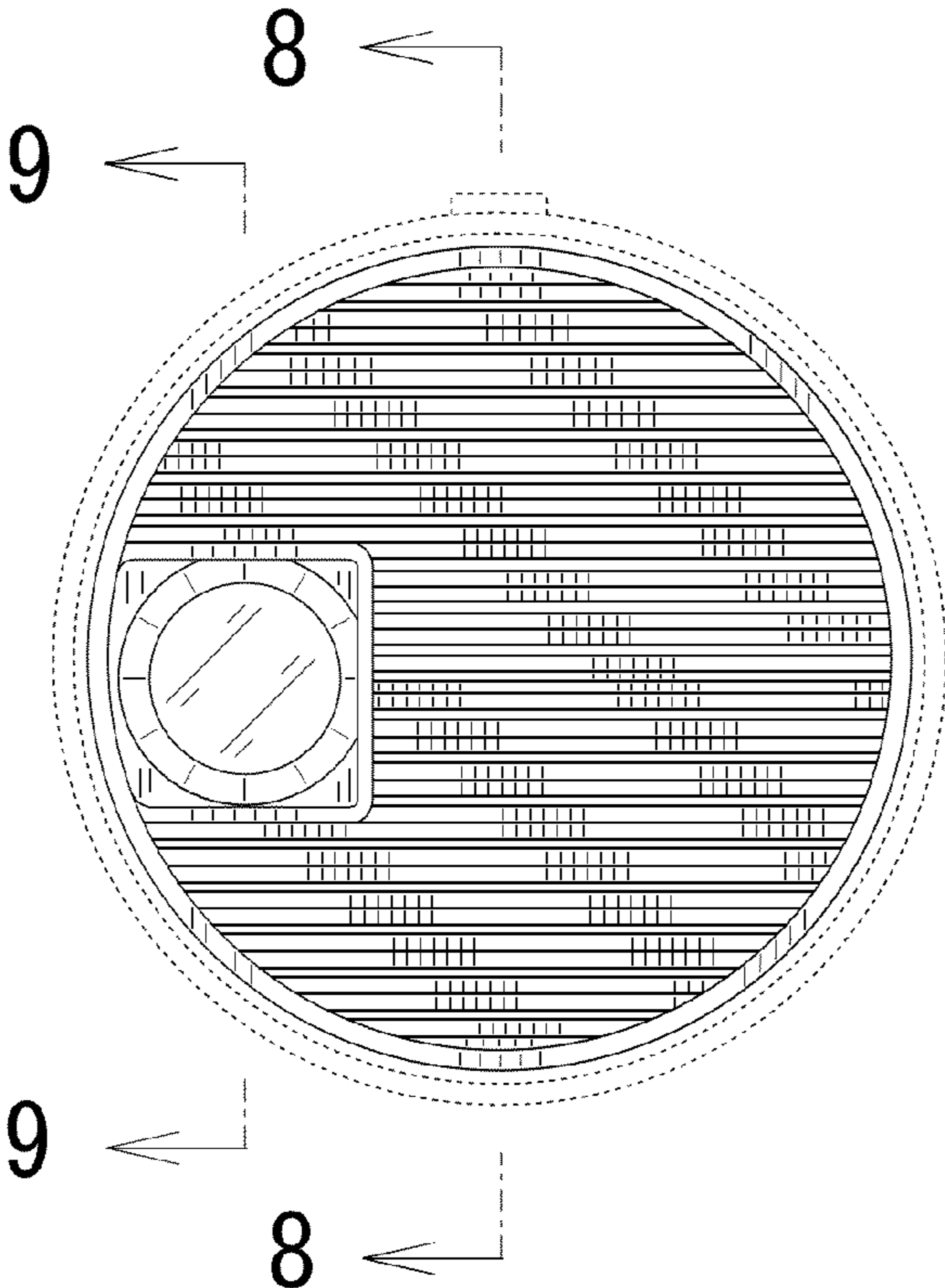


FIG. 3

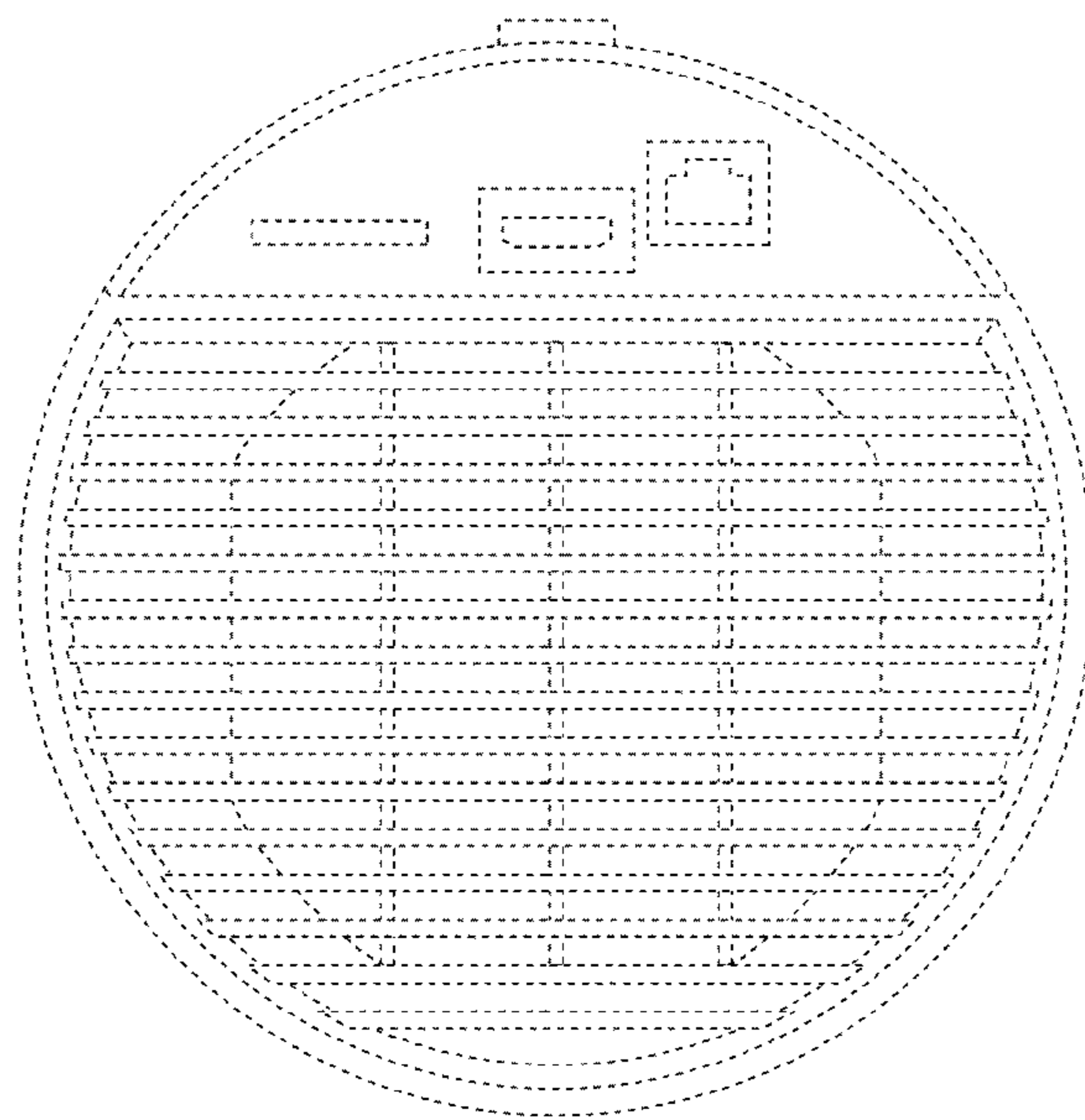


FIG. 4

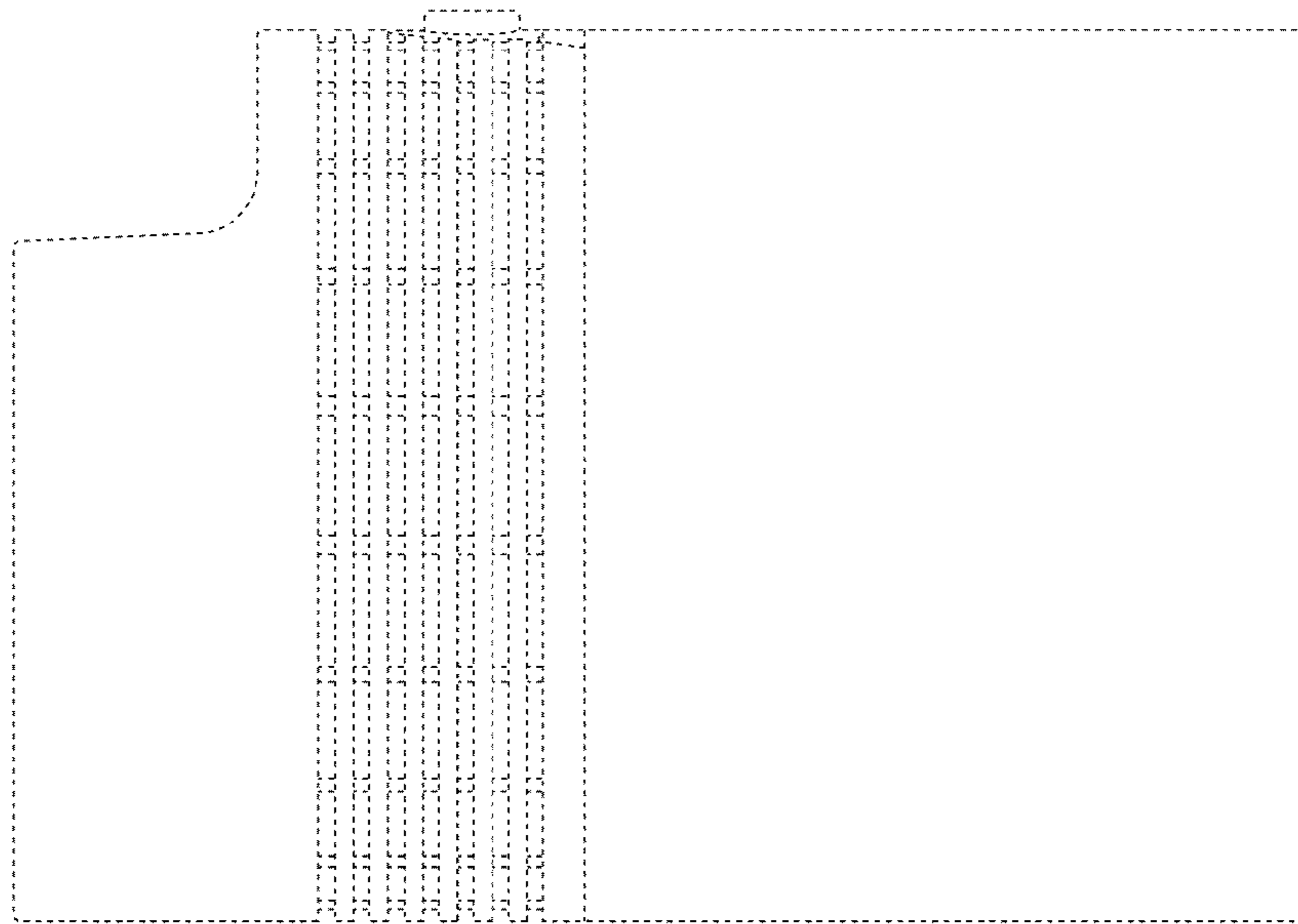


FIG. 5

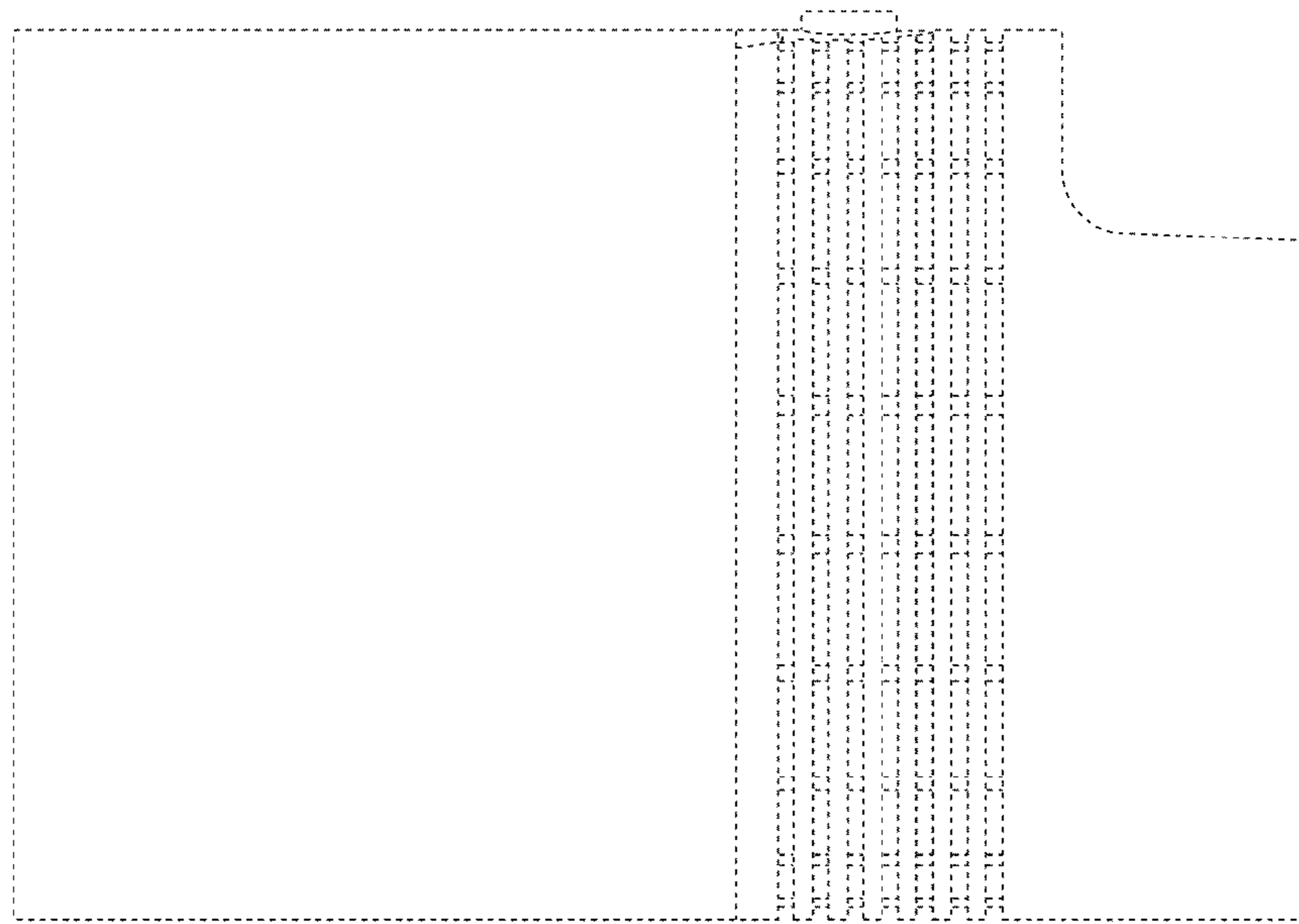


FIG. 6

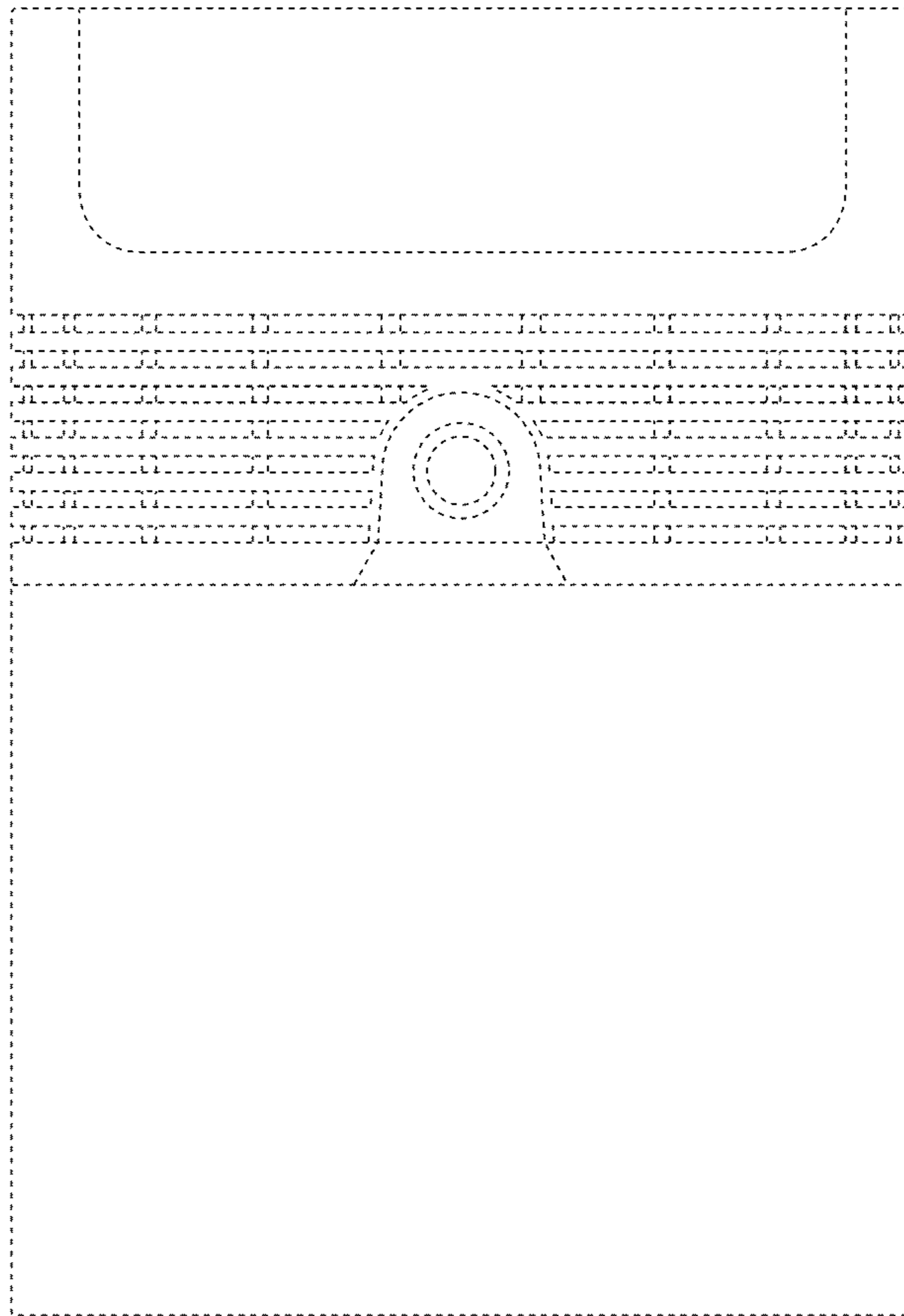


FIG. 7

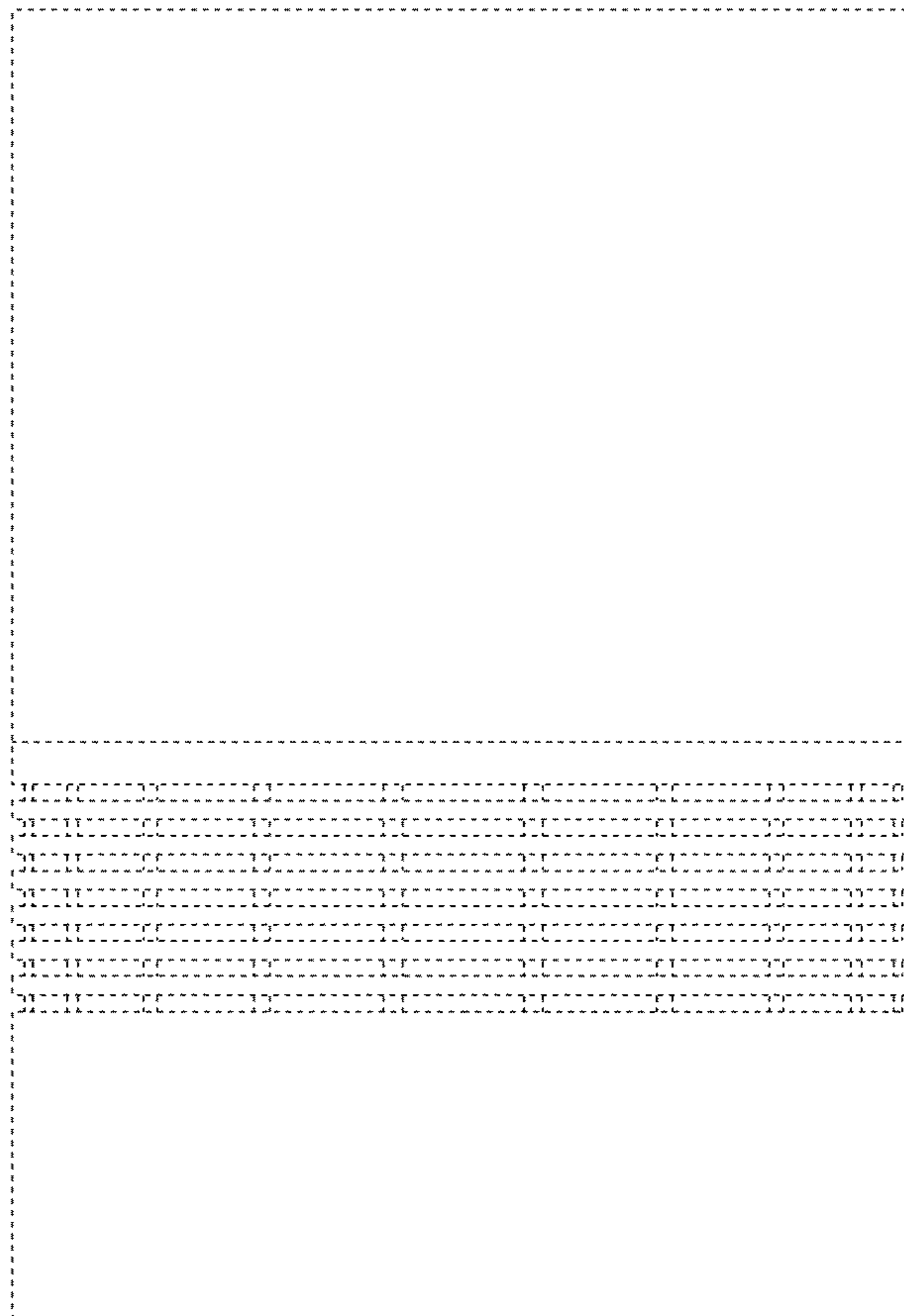


FIG. 8

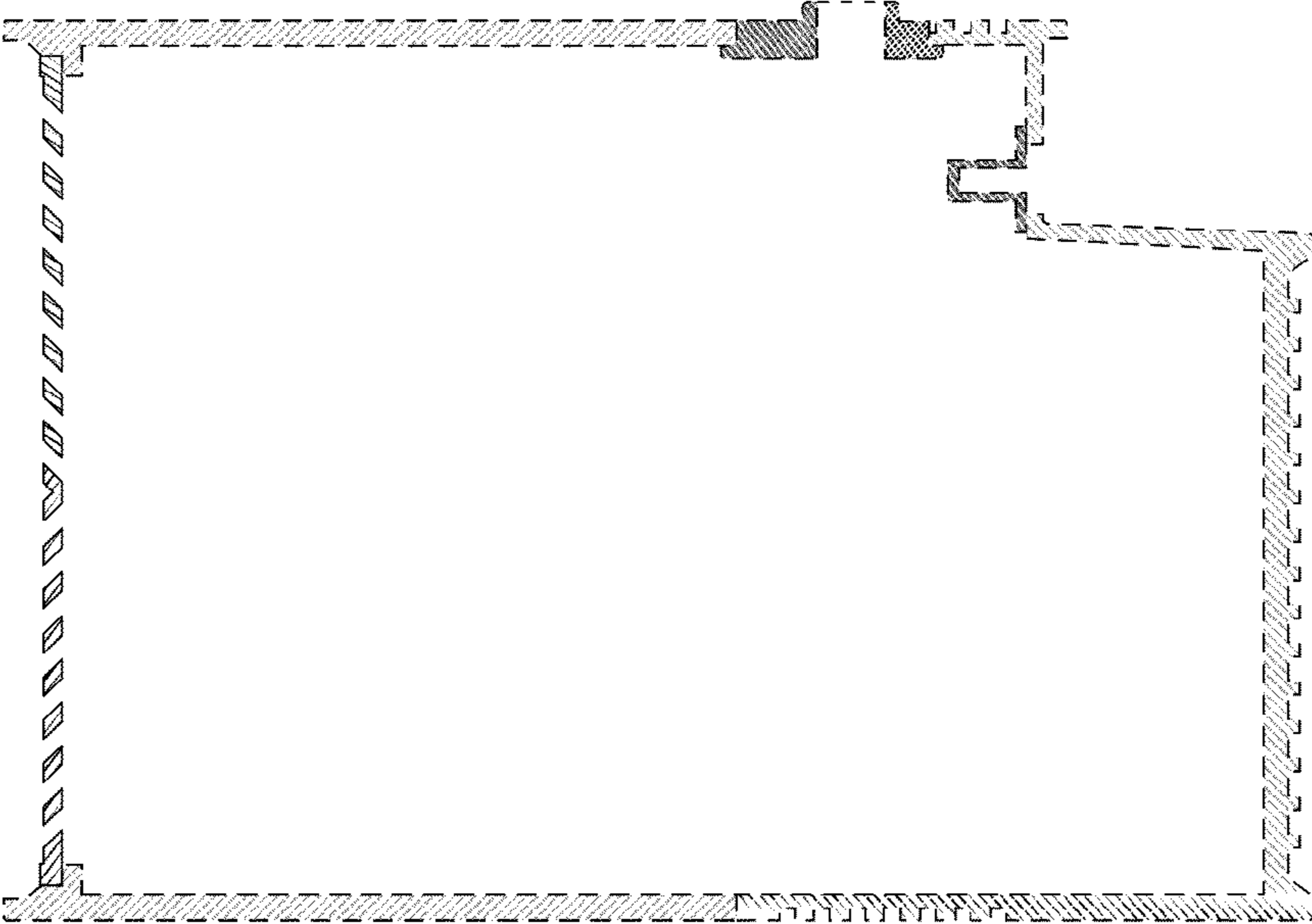


FIG. 9

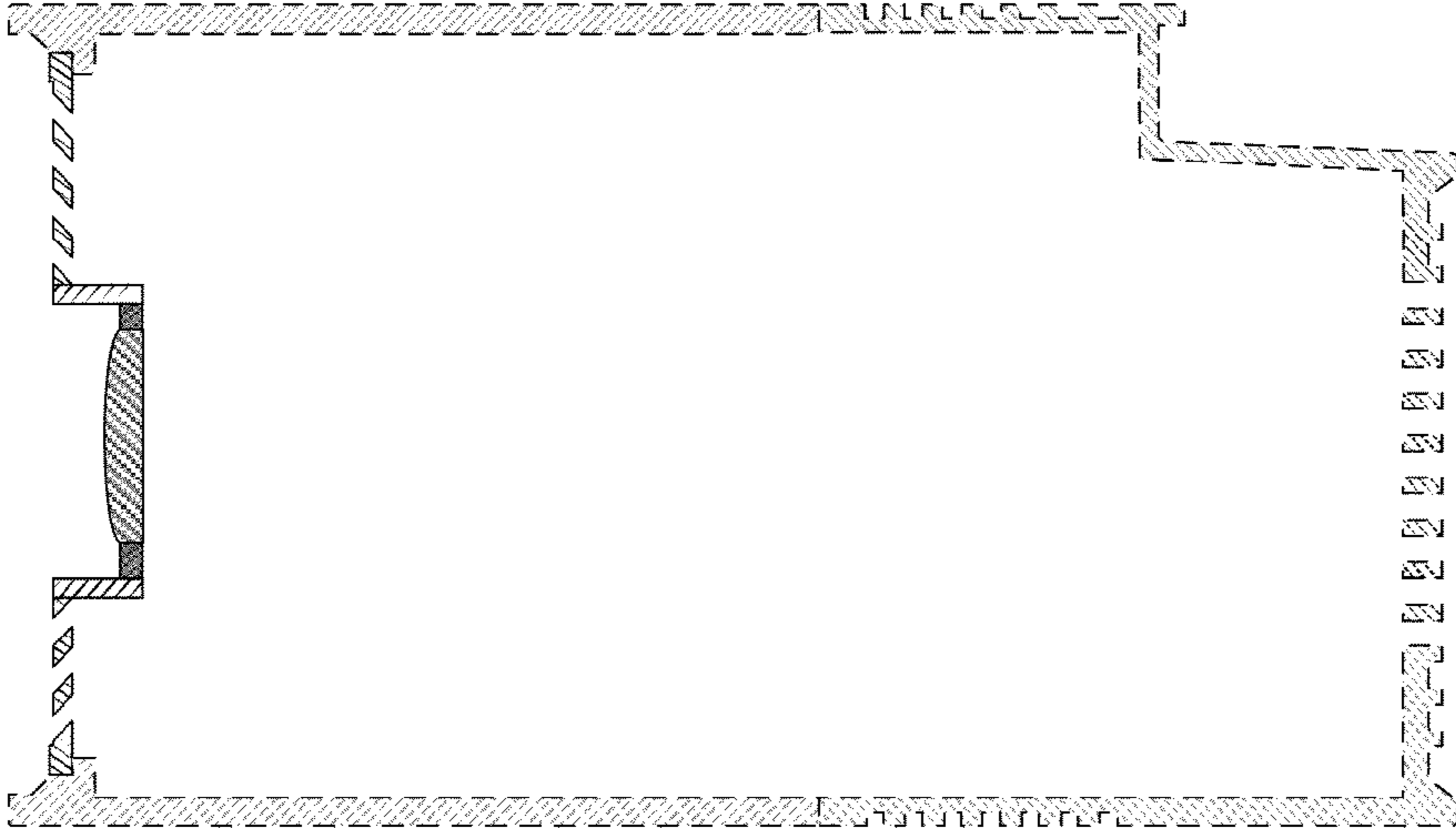


FIG. 10

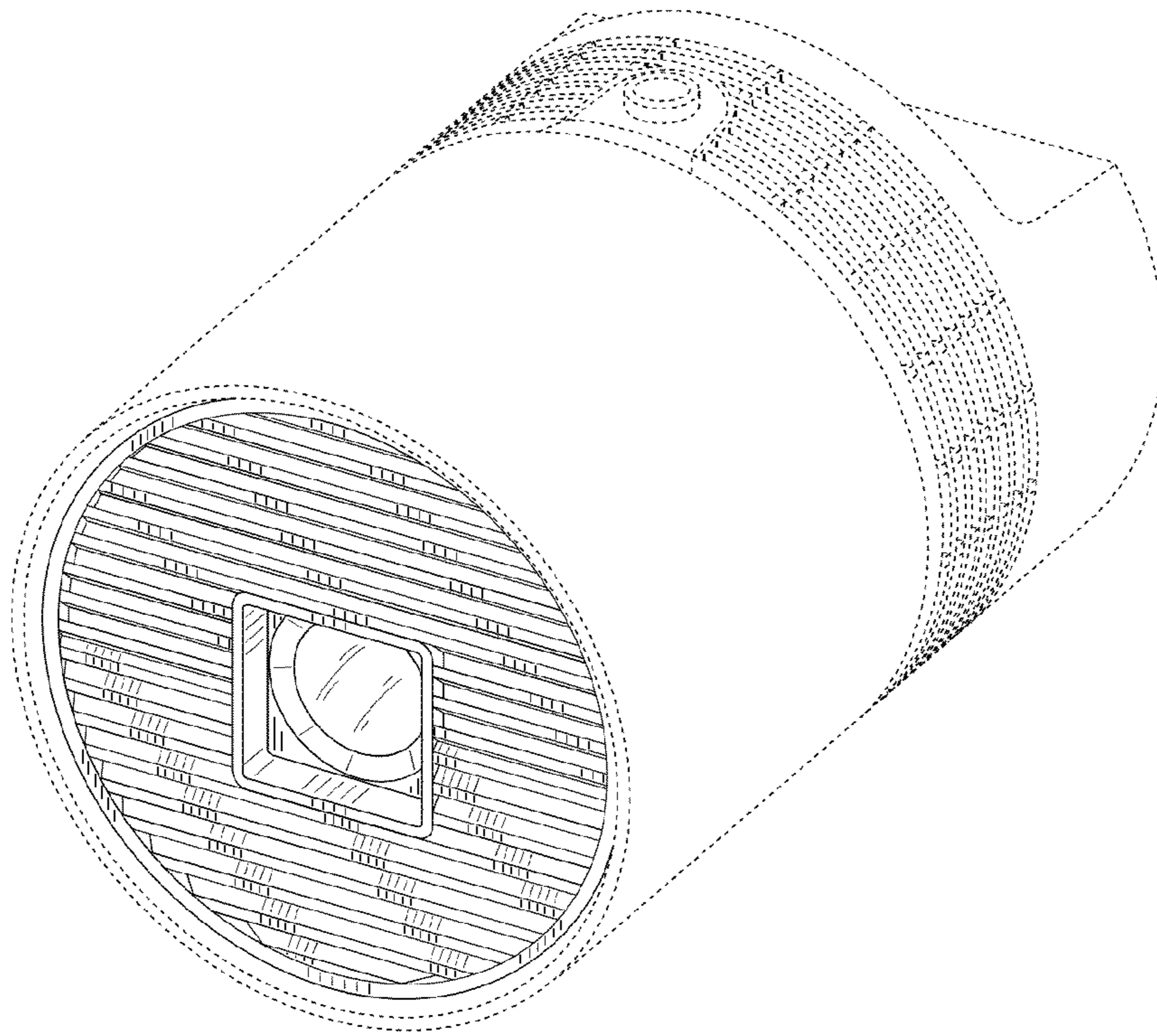


FIG. 11

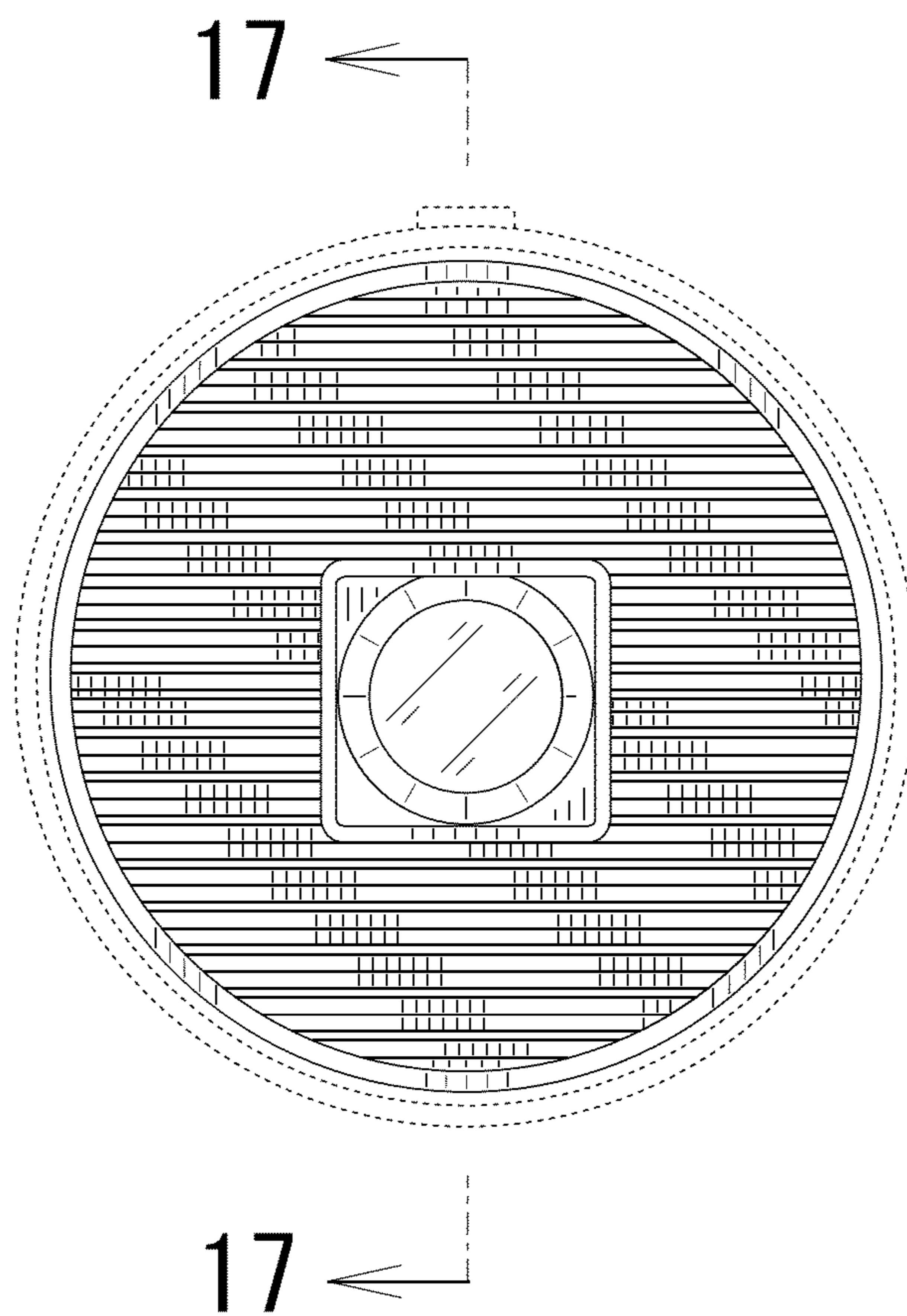


FIG. 12

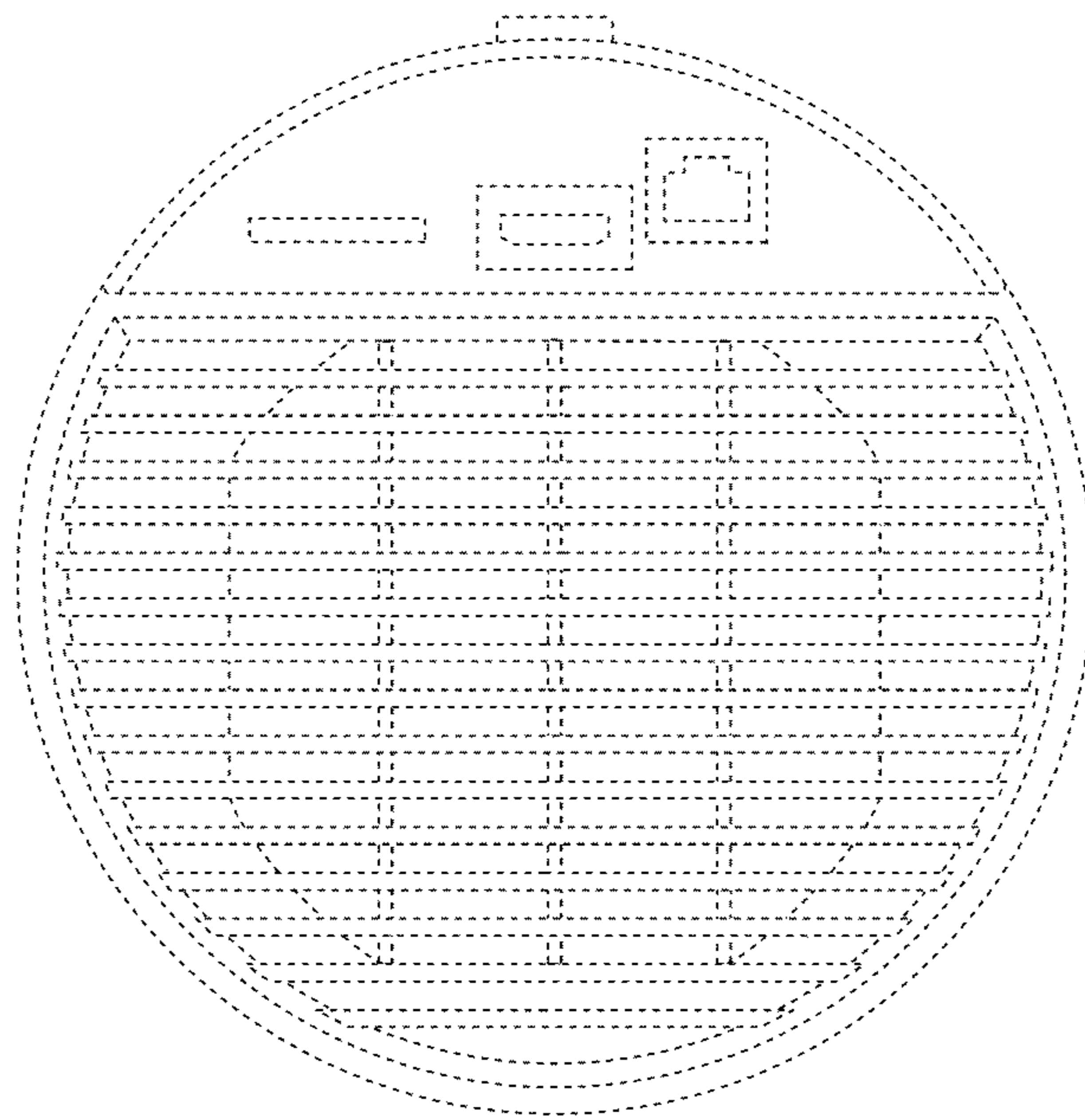


FIG. 13

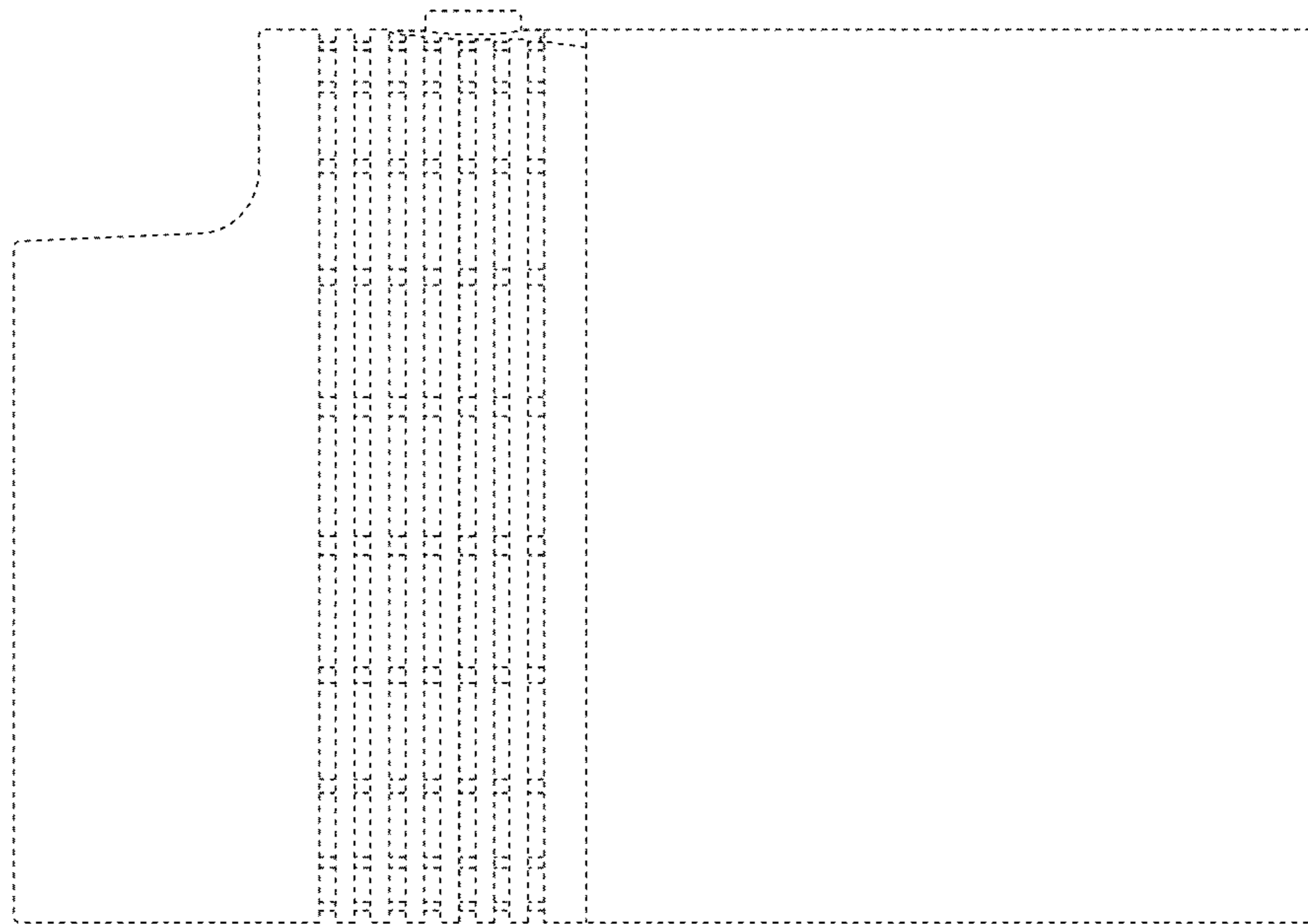


FIG. 14

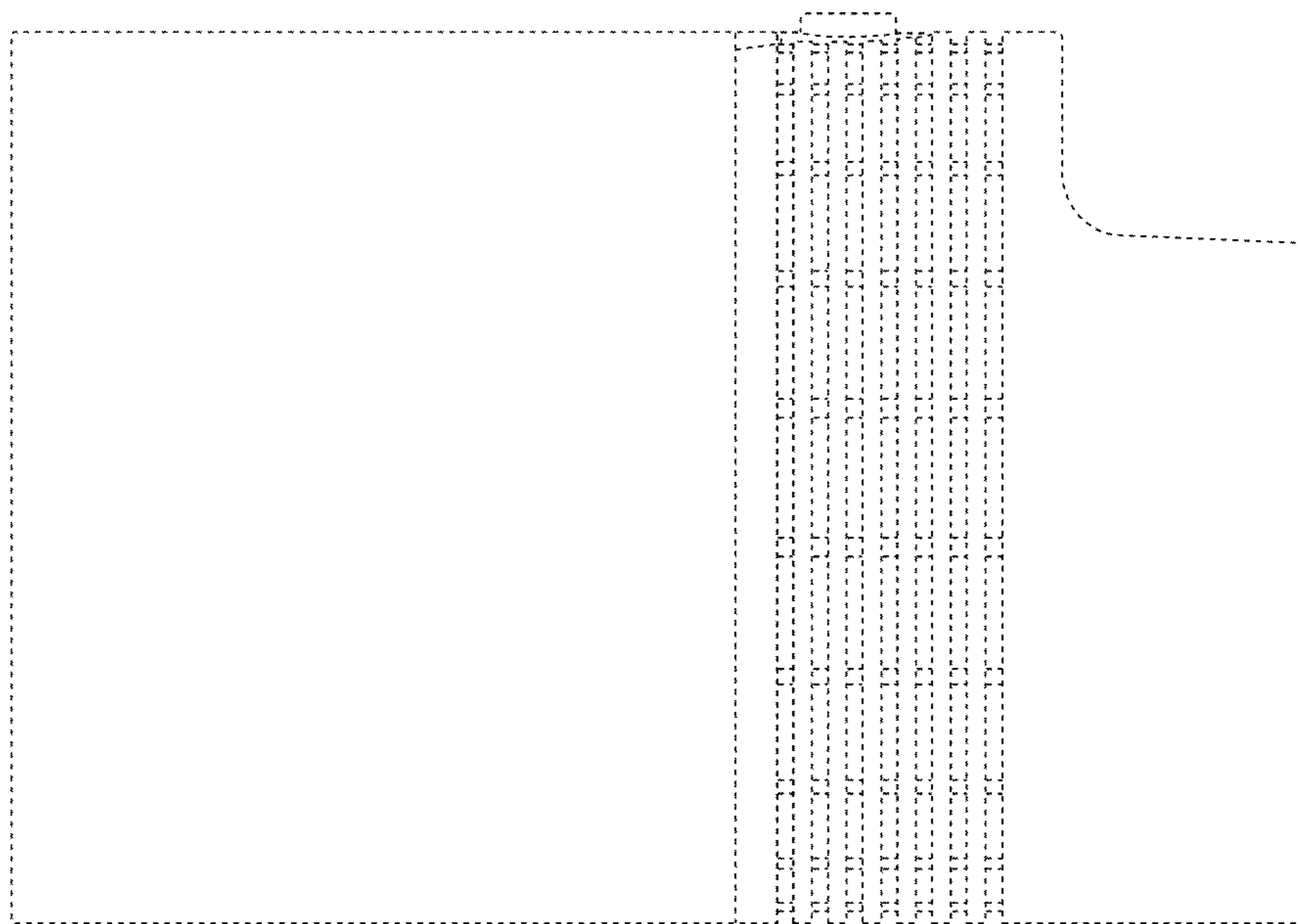


FIG. 15

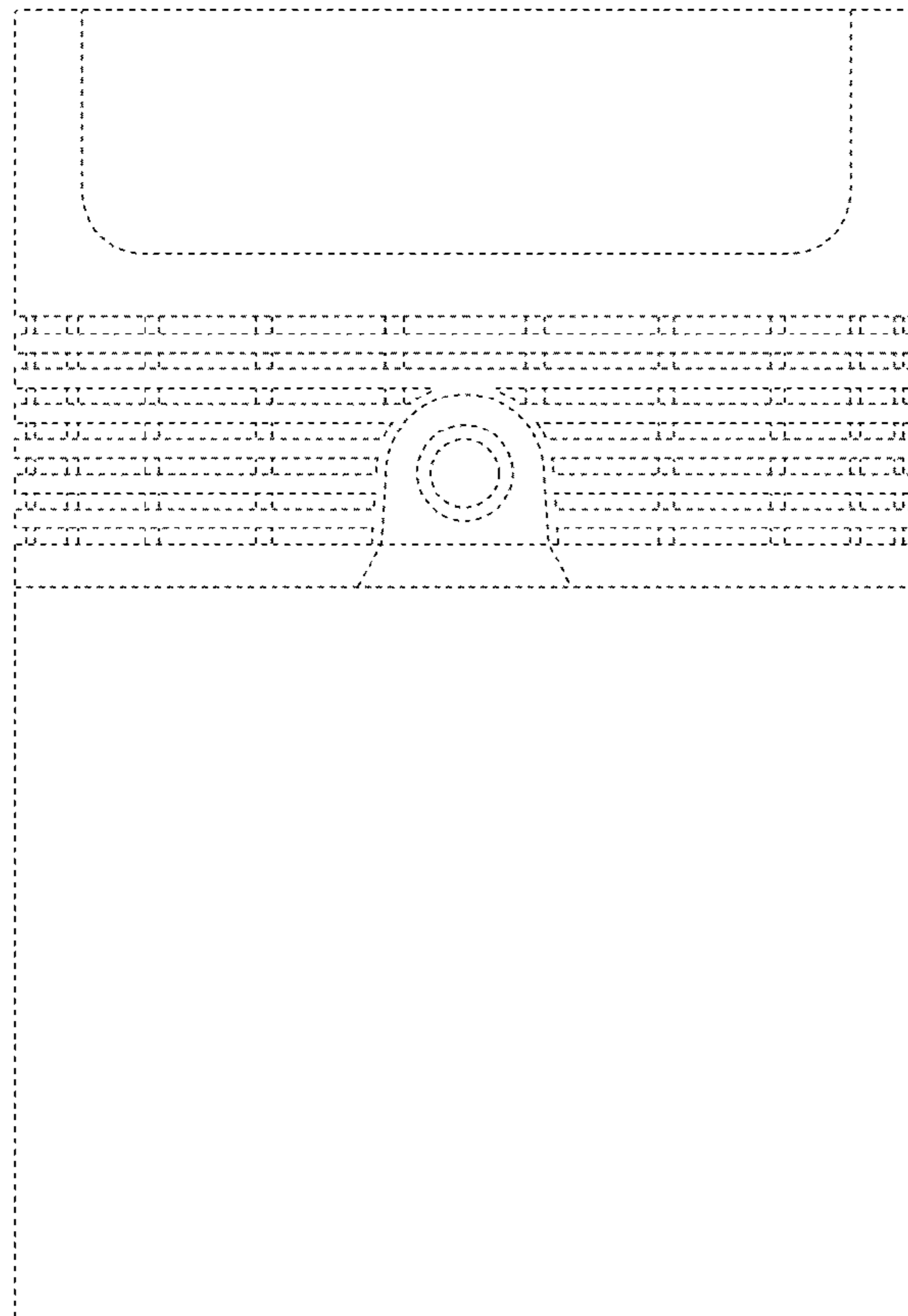


FIG. 16

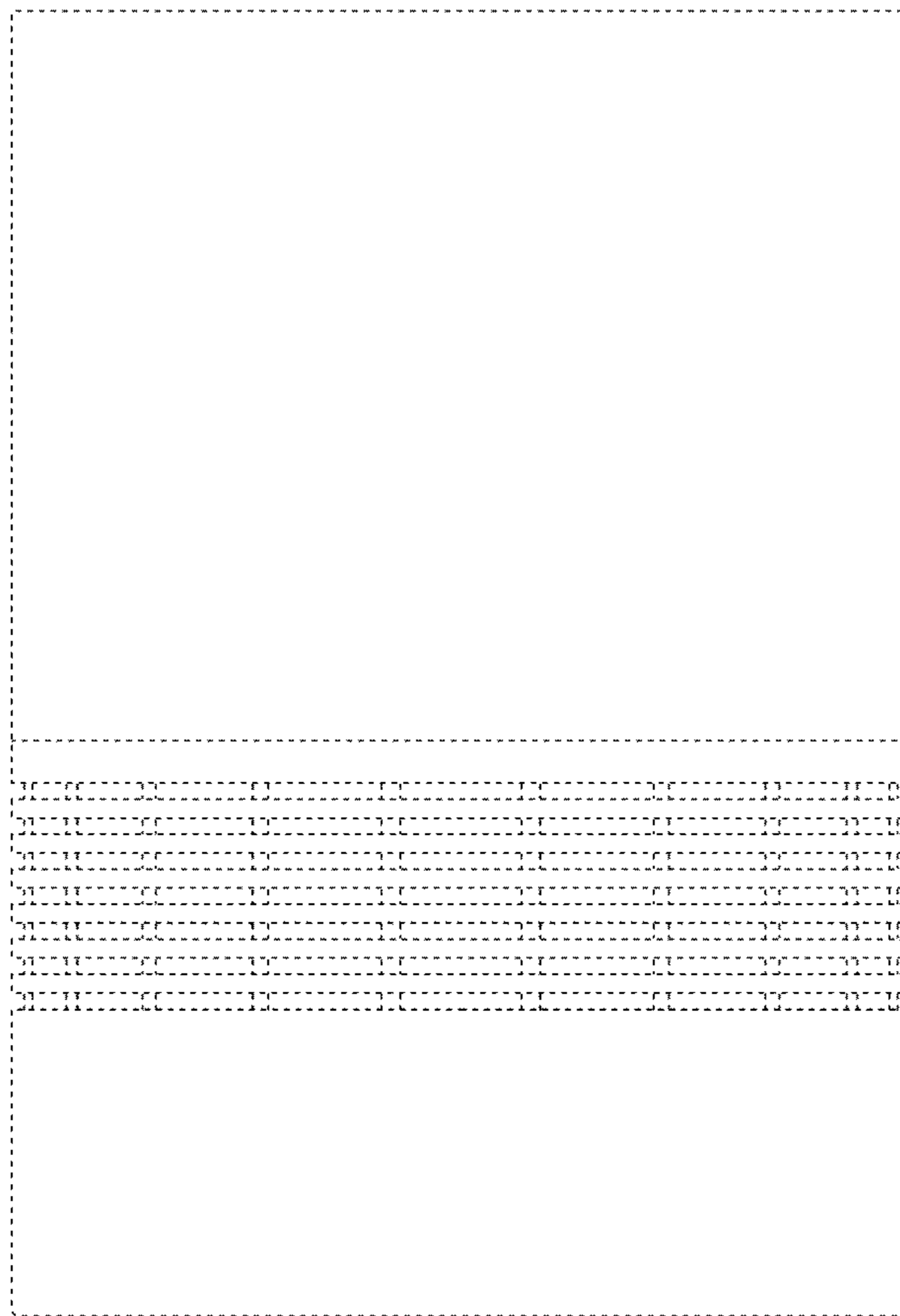


FIG. 17

