



US00D740876S

(12) **United States Design Patent**
Woodman et al.

(10) **Patent No.:** **US D740,876 S**
(45) **Date of Patent:** **** Oct. 13, 2015**

(54) **CAMERA HOUSING**

- (71) Applicant: **GoPro, Inc.**, San Mateo, CA (US)
- (72) Inventors: **Nicholas D. Woodman**, Sausalito, CA (US); **Fred Bould**, Half Moon Bay, CA (US); **Kristen Beck**, San Mateo, CA (US); **Rudy Lucas Samuels**, Mill Valley, CA (US); **David Christophe Northway**, San Carlos, CA (US); **Scott Patrick Campbell**, Belmont, CA (US); **Michael Zaven Demerjian**, Pacifica, CA (US); **Marvin James Balaoro**, San Francisco, CA (US); **Fabrice Barbier**, San Carlos, CA (US); **Paul Douglas Osborne**, Mill Valley, CA (US); **Meghan Ann Laffey**, Los Altos, CA (US)
- (73) Assignee: **GoPro, Inc.**, San Mateo, CA (US)
- (**) Term: **14 Years**
- (21) Appl. No.: **29/512,083**
- (22) Filed: **Dec. 16, 2014**

Related U.S. Application Data

- (63) Continuation of application No. 29/500,031, filed on Aug. 20, 2014, which is a continuation of application No. 29/482,102, filed on Feb. 13, 2014, now Pat. No. Des. 734,799, which is a continuation of application No. 29/431,861, filed on Sep. 11, 2012, now Pat. No. Des. 702,747.
- (51) **LOC (10) Cl.** **16-01**
- (52) **U.S. Cl.**
USPC **D16/219; D16/200**
- (58) **Field of Classification Search**
USPC D16/200, 202–204, 208, 218, 219, 242; 248/176.1, 187.1; 348/81, 373–376; 396/25, 419, 535, 539–541
CPC G03B 15/03; G03B 17/02; G03B 17/04; G03B 17/08; G03B 17/56; G03B 19/04; H04N 5/2251; H04N 5/2252; H04N 5/2253; H04N 5/2254
See application file for complete search history.

(56) **References Cited**

U.S. PATENT DOCUMENTS

| | | |
|-------------|--------|-------------------|
| D96,348 S | 7/1935 | Teaque |
| 4,646,141 A | 2/1987 | Timmermans et al. |
| D377,940 S | 2/1997 | Totsch |
| D441,386 S | 5/2001 | Yamazaki |
| D460,474 S | 7/2002 | Gotham et al. |
| D504,904 S | 5/2005 | Nagai et al. |

(Continued)

Primary Examiner — Adir Aronovich

(74) *Attorney, Agent, or Firm* — Fenwick & West LLP

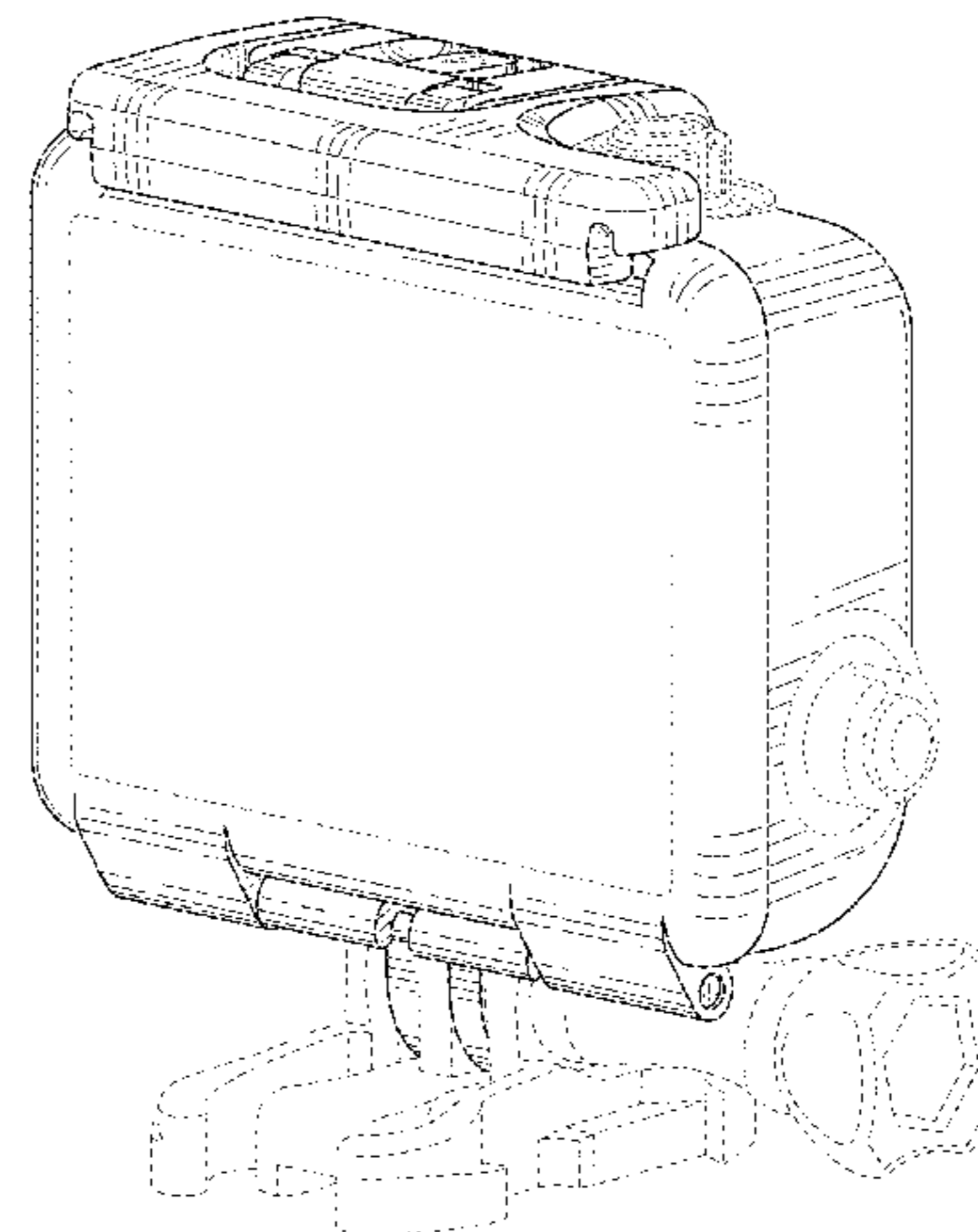
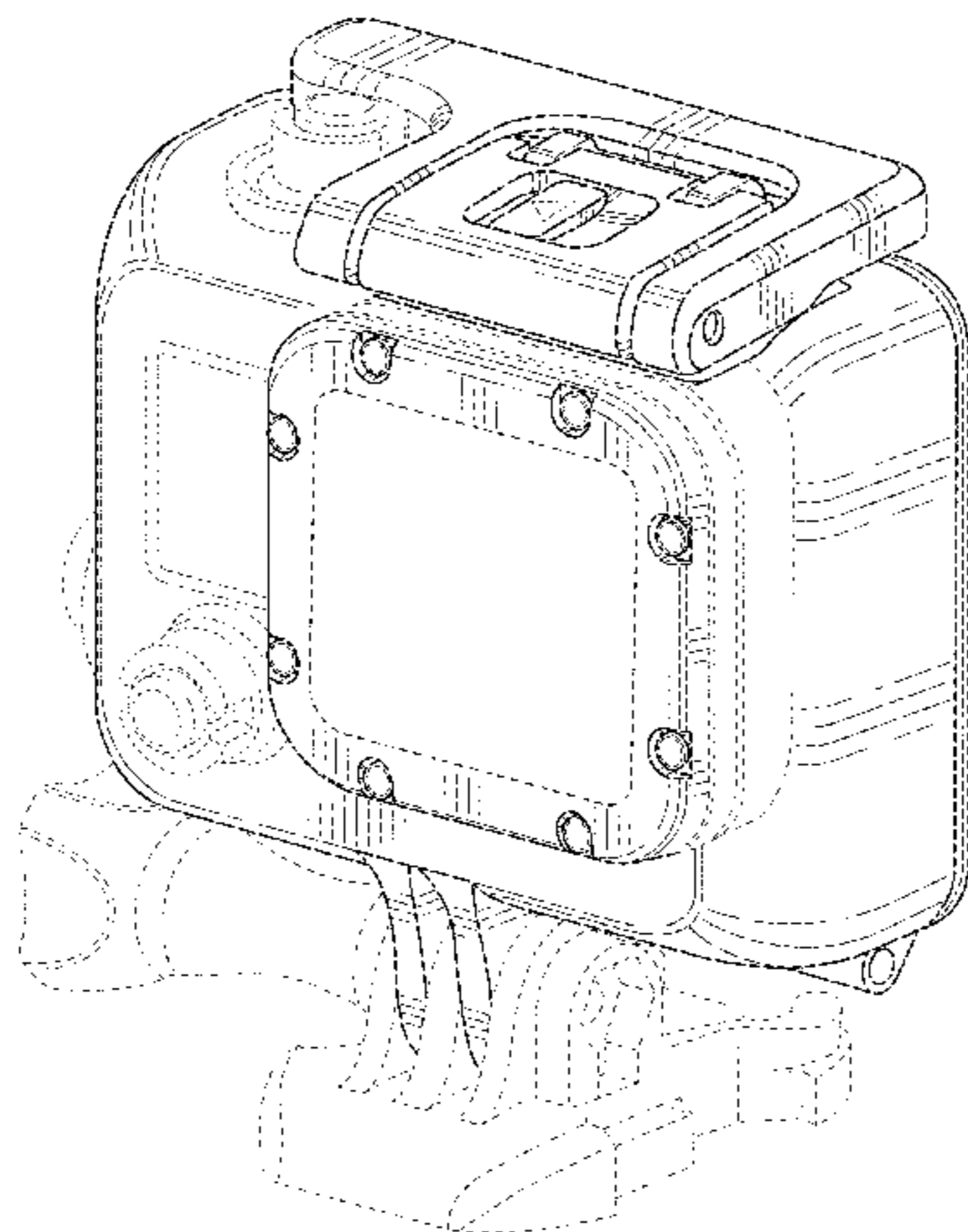
(57) **CLAIM**

The ornamental design for a camera housing, as shown and described.

DESCRIPTION

FIG. 1 is a front, top and right side prospective view of a camera housing showing our new design;
 FIG. 2 is a front, bottom and left side perspective view thereof;
 FIG. 3 is a rear, top, and left side perspective view thereof;
 FIG. 4 is a rear, bottom, and right side perspective view thereof;
 FIG. 5 is a front elevational view thereof;
 FIG. 6 is a rear elevational view thereof;
 FIG. 7 is a left side elevational view thereof;
 FIG. 8 is a right side elevational view thereof;
 FIG. 9 is a top plan view thereof; and,
 FIG. 10 is a bottom plan view thereof.
 The broken lines in the drawings showing portions of the camera housing are included for the purpose of illustrating environmental structure and form no part of the claimed design.

1 Claim, 10 Drawing Sheets



(56)

References Cited

U.S. PATENT DOCUMENTS

7,413,357 B2 8/2008 Badalian
D582,955 S 12/2008 Sekine et al.
8,014,656 B2* 9/2011 Woodman 396/419
D646,313 S 10/2011 Woodman

D657,808 S 4/2012 Woodman
D657,811 S * 4/2012 Woodman D16/219
D702,277 S 4/2014 Woodman
D710,921 S 8/2014 Gioscia et al.
D710,922 S * 8/2014 Gioscia et al. D16/200
8,870,475 B1* 10/2014 Bennett et al. 396/419
D725,169 S * 3/2015 Gioscia et al. D16/200
* cited by examiner

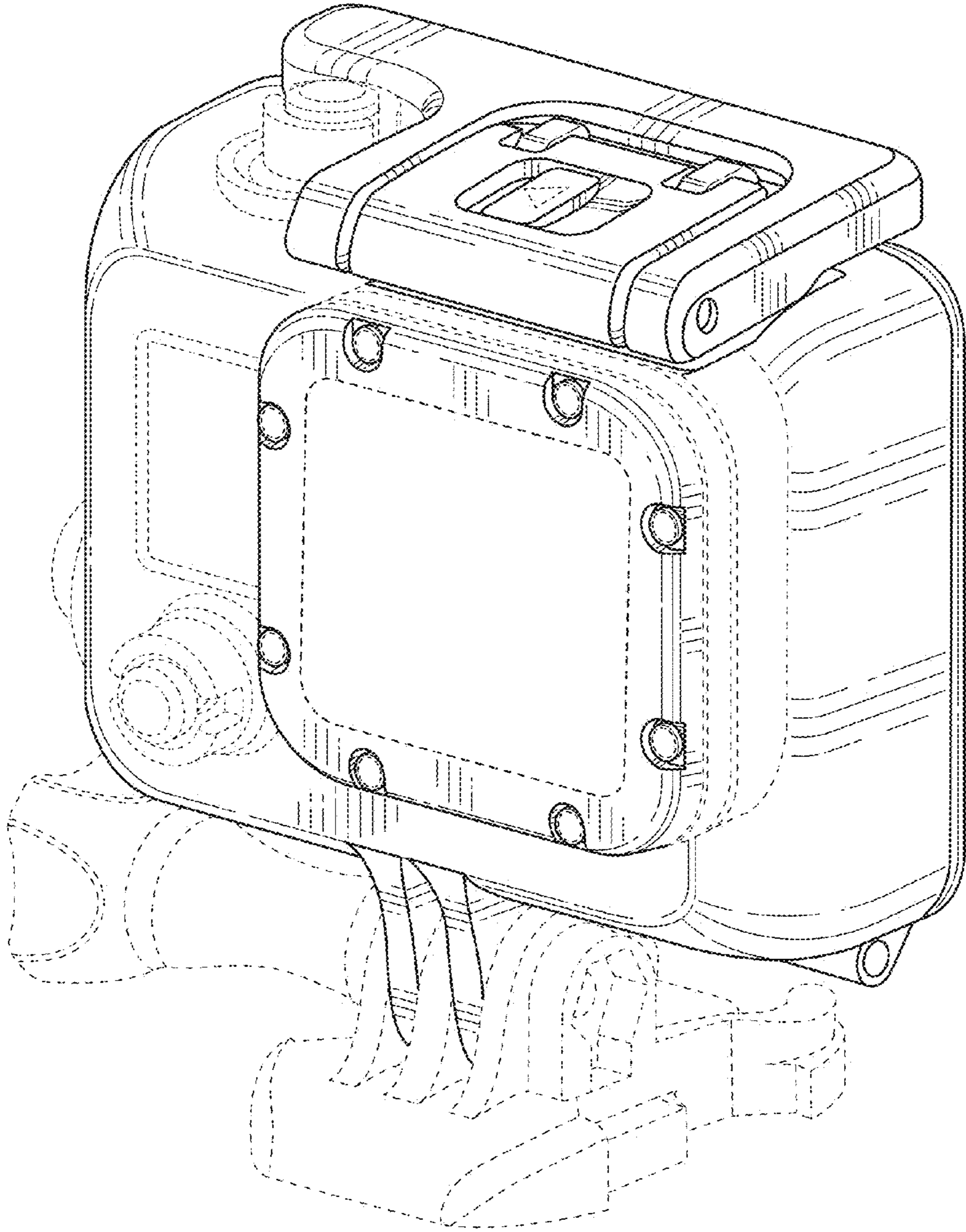


FIG. 1

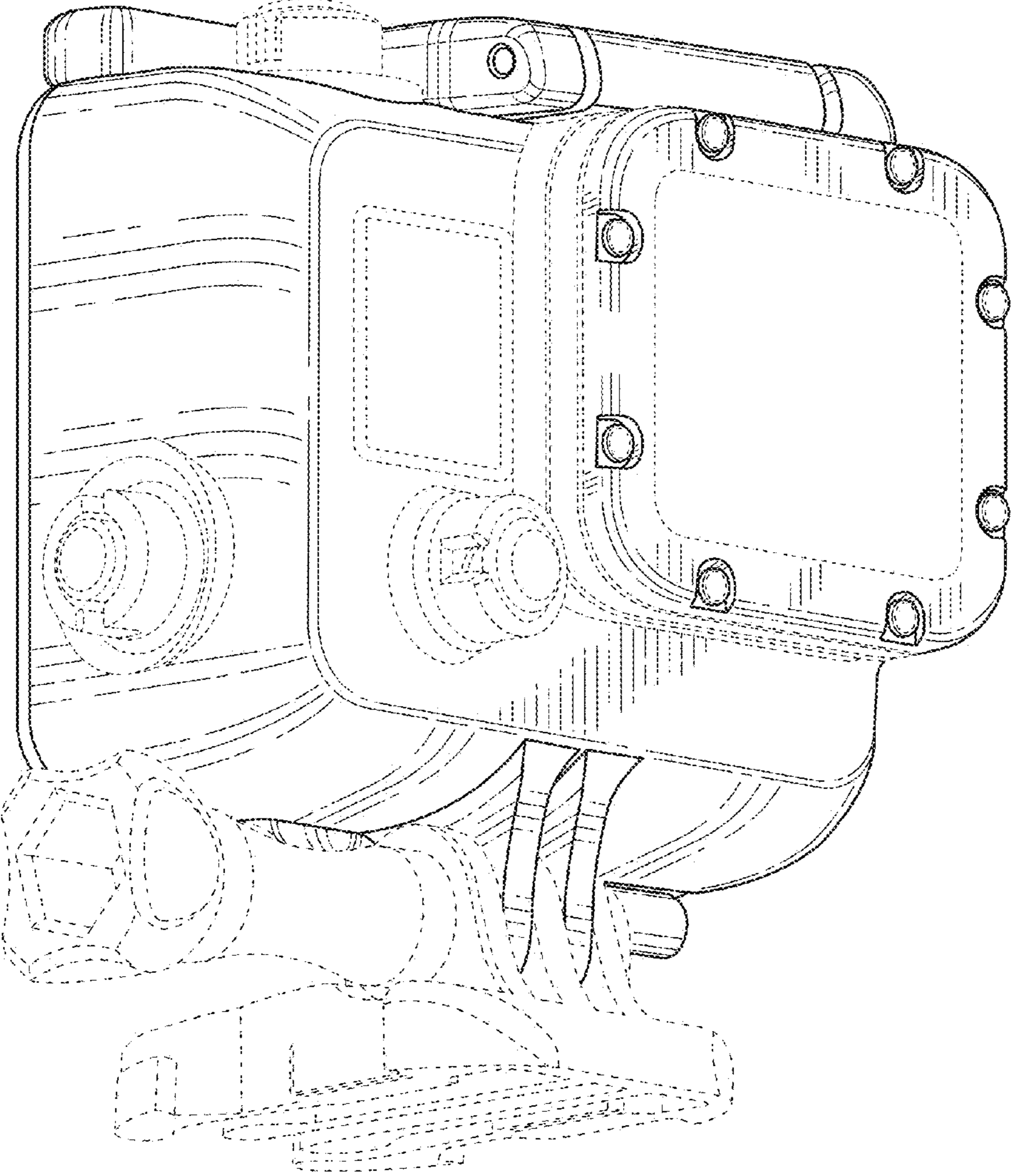


FIG. 2

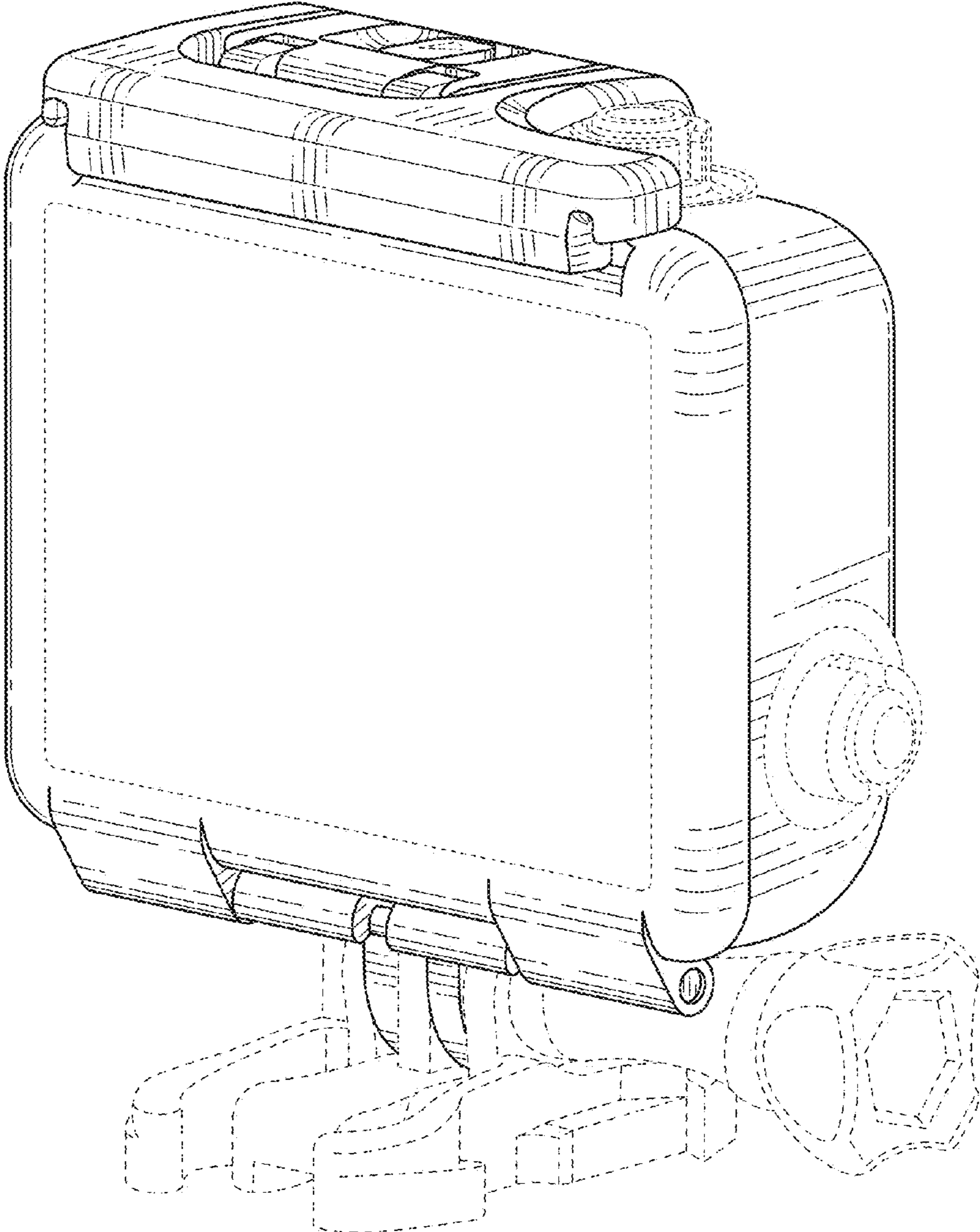


FIG. 3

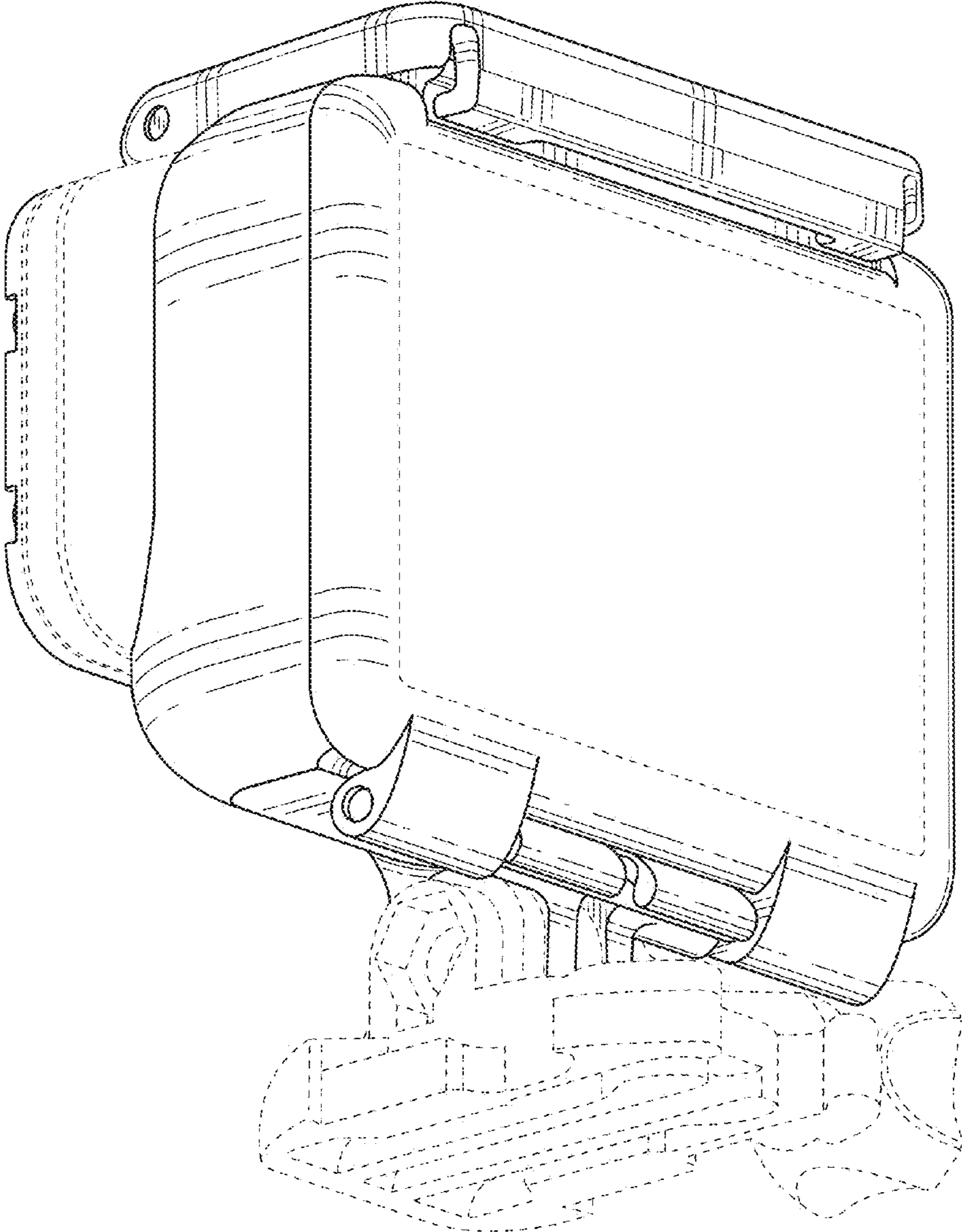


FIG. 4

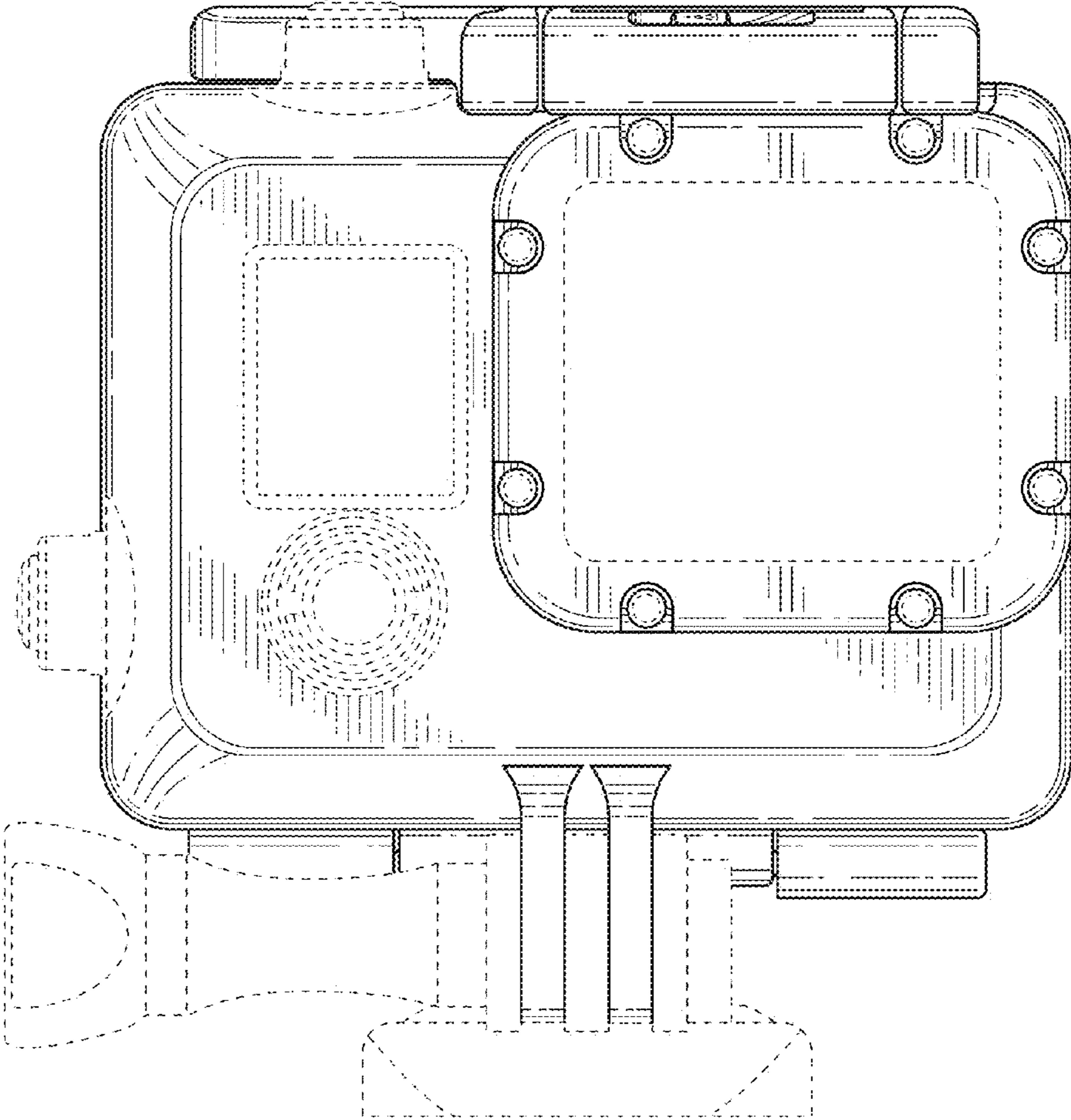


FIG. 5

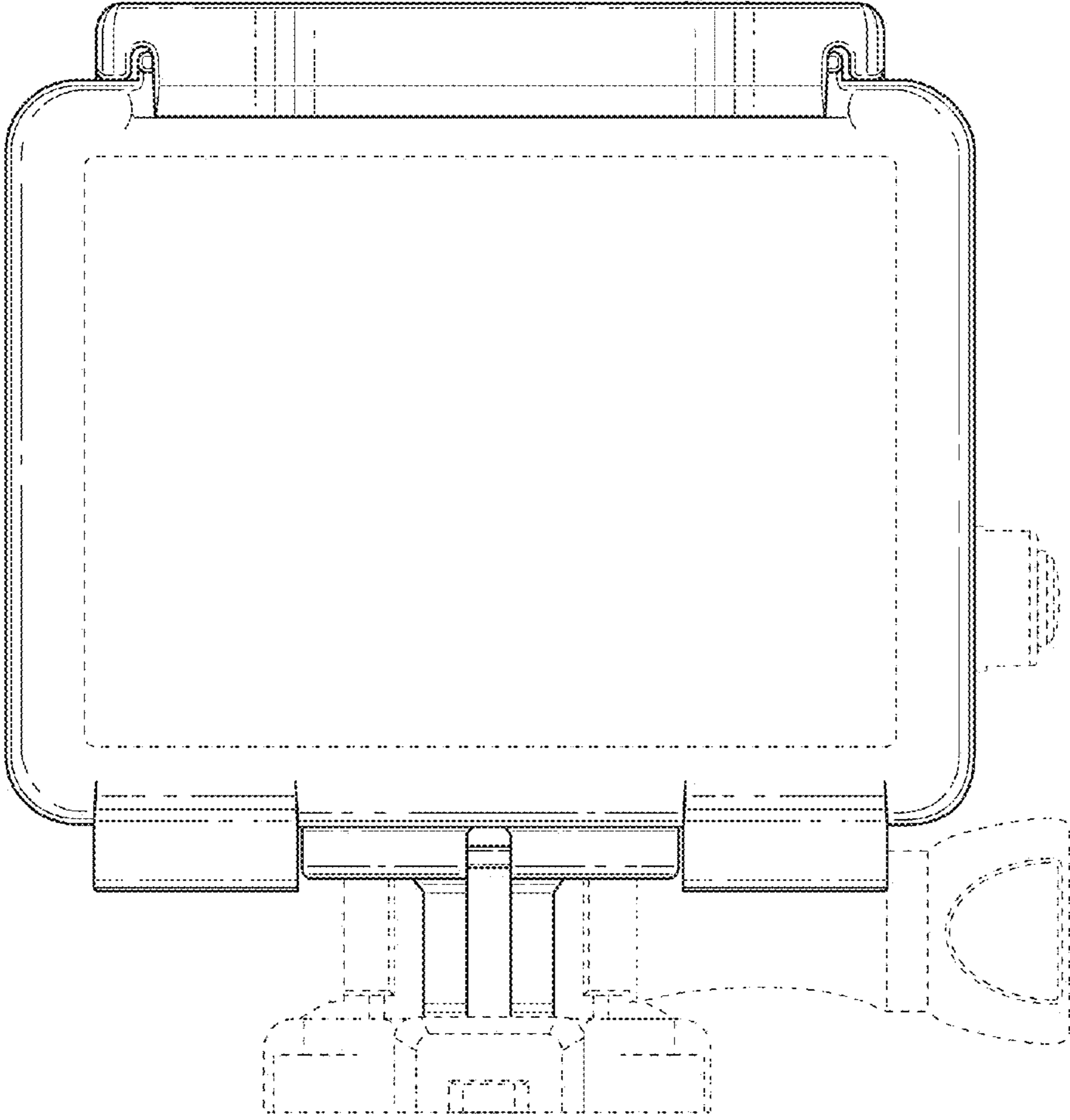


FIG. 6

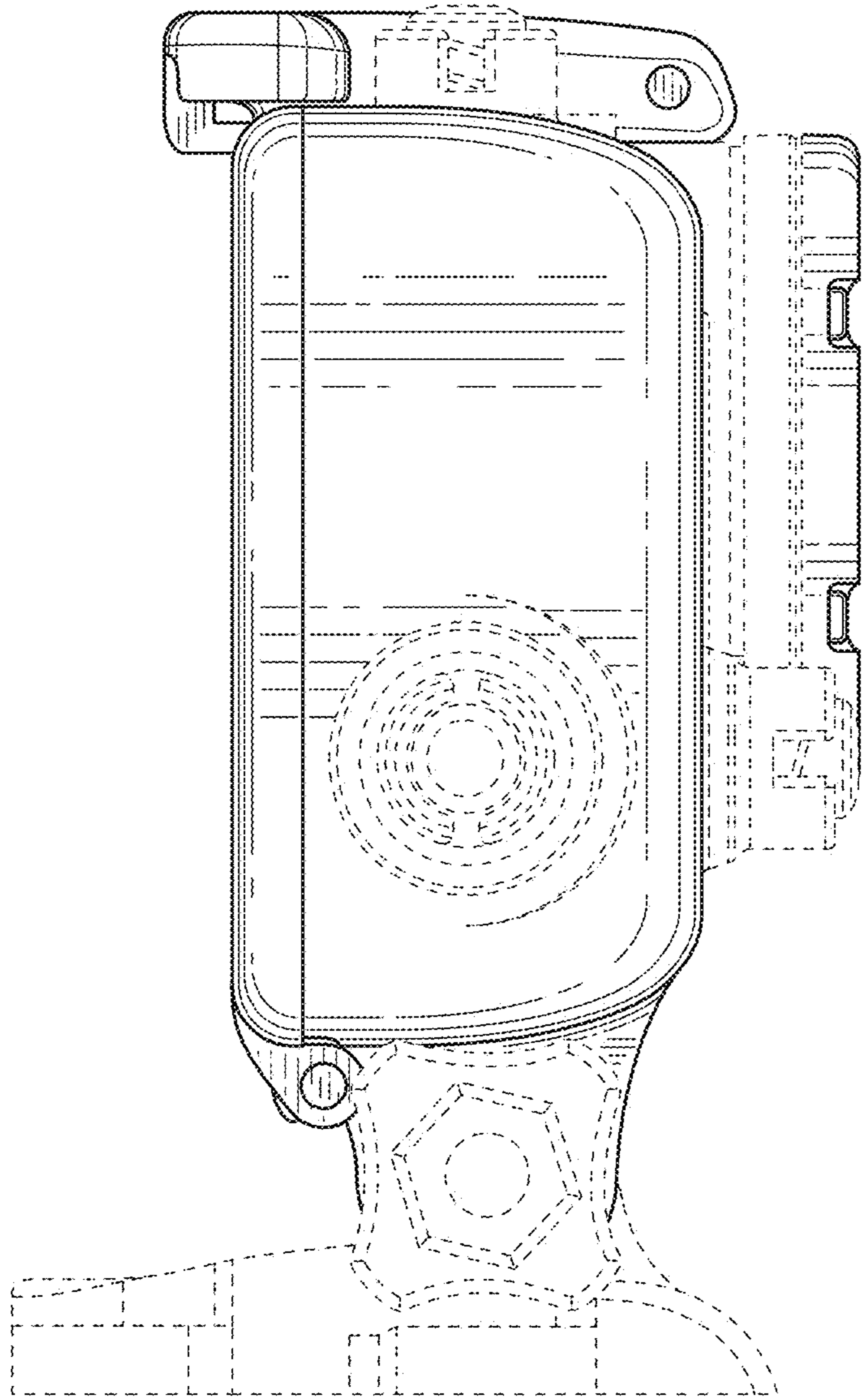


FIG. 7

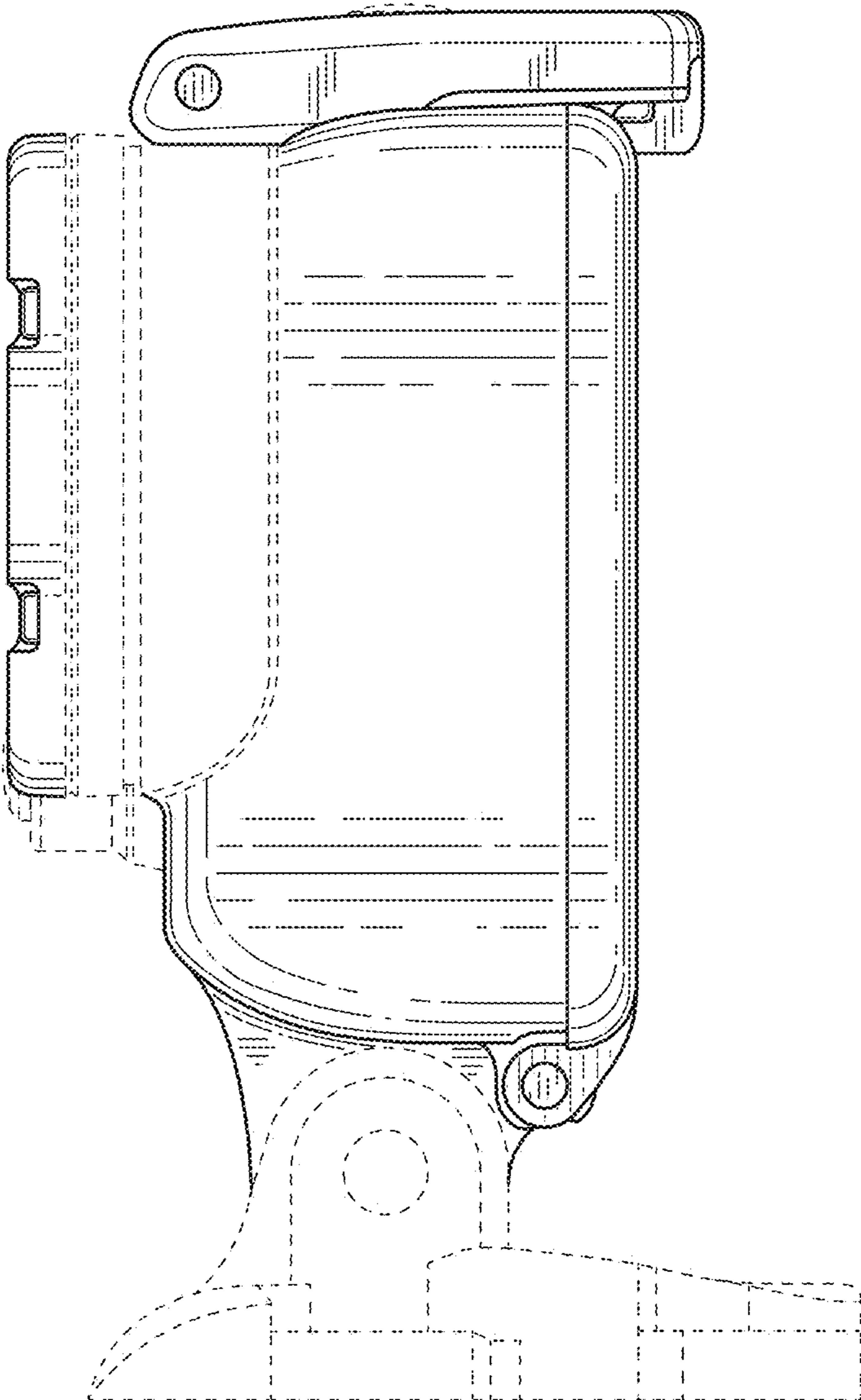


FIG. 8

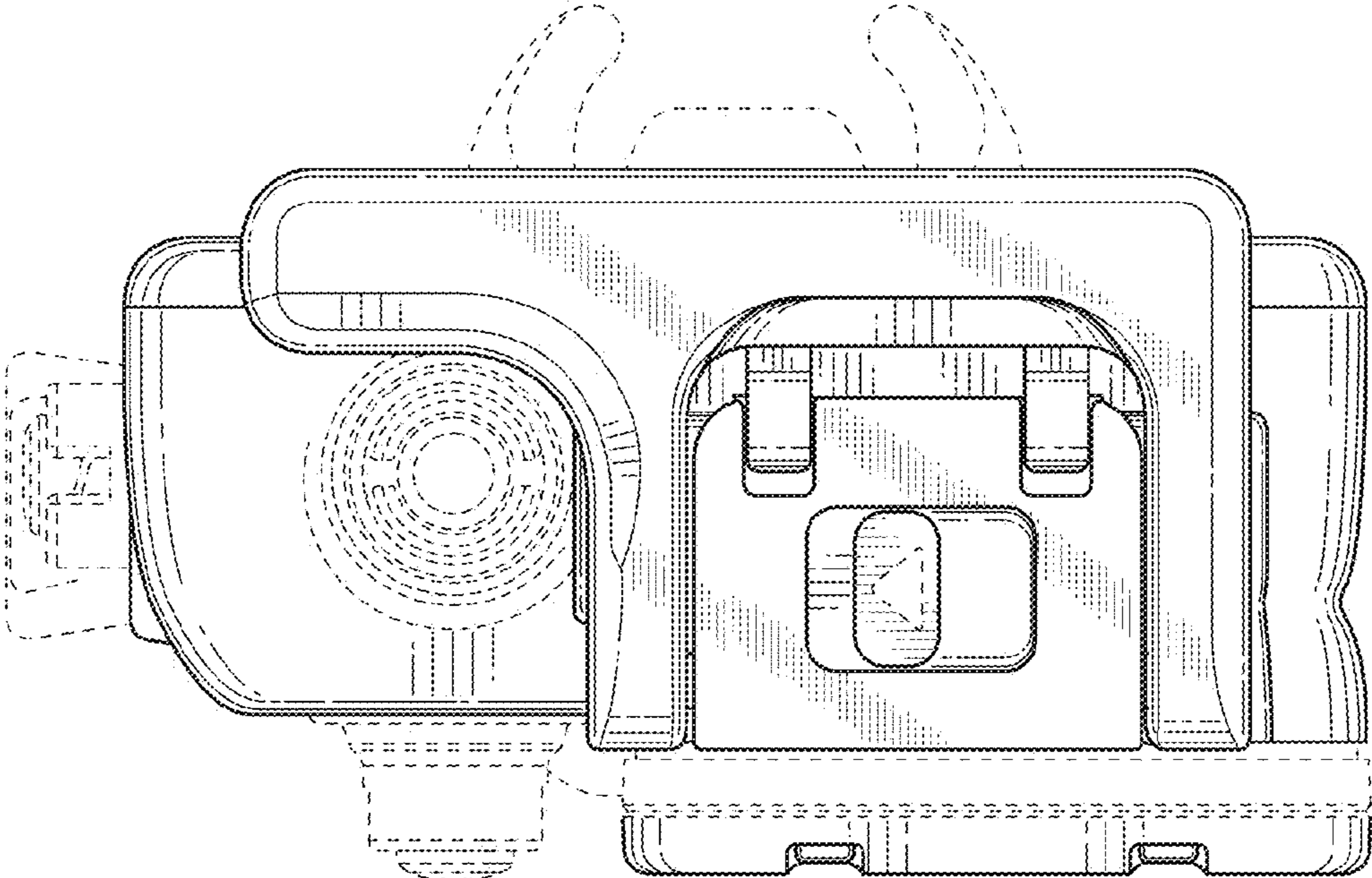


FIG. 9

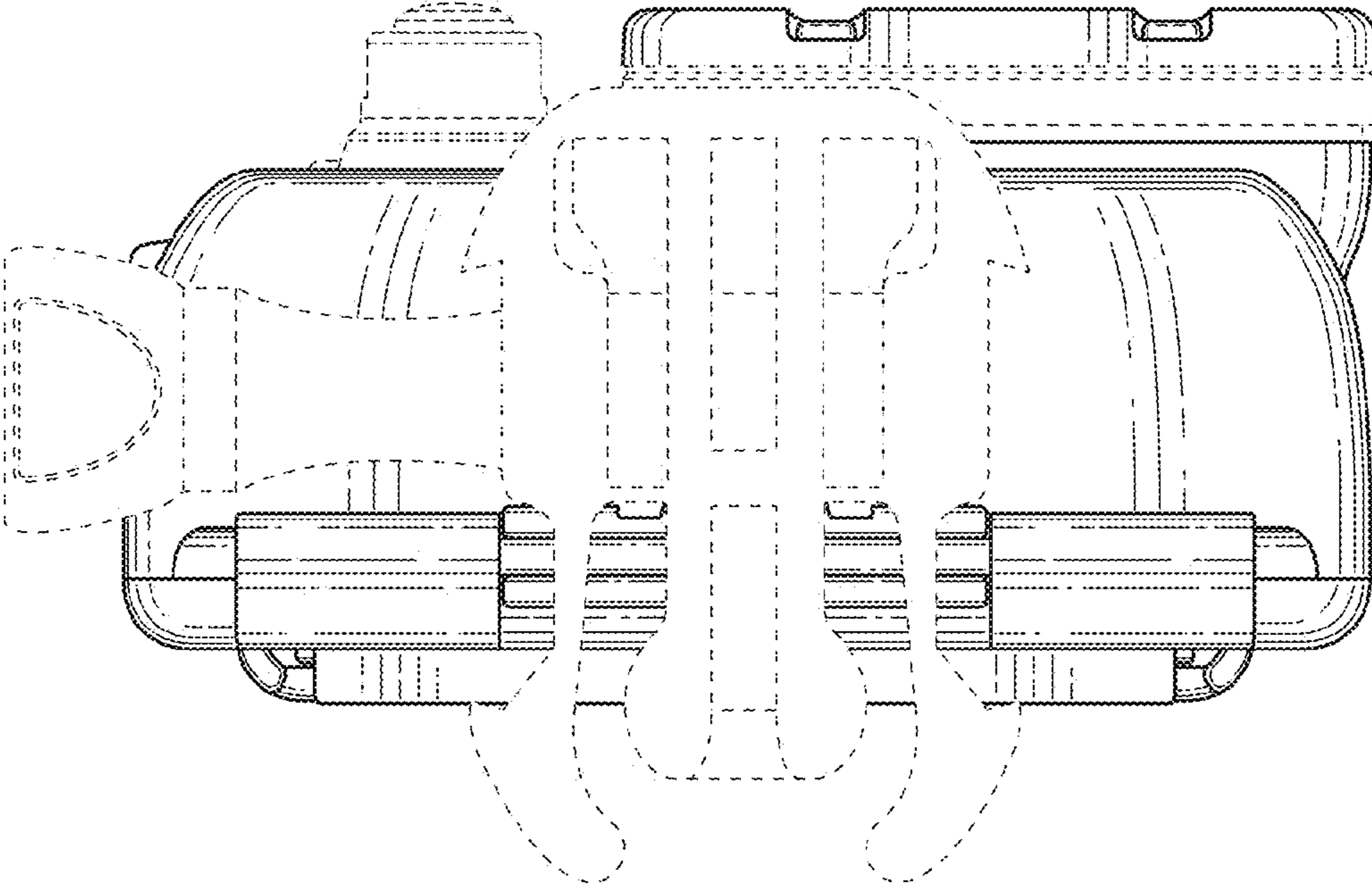


FIG. 10