



US00D740875S

(12) **United States Design Patent**
Woodman et al.

(10) **Patent No.:** **US D740,875 S**
(45) **Date of Patent:** **** Oct. 13, 2015**

(54) **CAMERA HOUSING**

- (71) Applicant: **GoPro, Inc.**, San Mateo, CA (US)
- (72) Inventors: **Nicholas D. Woodman**, Sausalito, CA (US); **Fred Bould**, Half Moon Bay, CA (US); **Kristen Beck**, San Mateo, CA (US); **Rudy Lucas Samuels**, Mill Valley, CA (US); **David Christophe Northway**, San Carlos, CA (US); **Scott Patrick Campbell**, Belmont, CA (US); **Michael Zaven Demerjian**, Pacifica, CA (US); **Marvin James Balaoro**, San Francisco, CA (US); **Fabrice Barbier**, San Carlos, CA (US); **Paul Douglas Osborne**, Mill Valley, CA (US); **Meghan Ann Laffey**, Los Altos, CA (US)

(73) Assignee: **GoPro, Inc.**, San Mateo, CA (US)

(**) Term: **14 Years**

(21) Appl. No.: **29/500,031**

(22) Filed: **Aug. 20, 2014**

Related U.S. Application Data

- (63) Continuation of application No. 29/482,102, filed on Feb. 13, 2014, which is a continuation of application No. 29/431,861, filed on Sep. 11, 2012, now Pat. No. Des. 702,747.
- (51) **LOC (10) Cl.** **16-01**
- (52) **U.S. Cl.**
USPC **D16/219**
- (58) **Field of Classification Search**
USPC D16/200, 202, 203, 208, 218, 219, 242;
348/373-376; 396/419, 535-541
CPC ... G03B 17/561; G03B 17/563; H04N 5/2251
See application file for complete search history.

(56) **References Cited**

U.S. PATENT DOCUMENTS

D96,348 S	7/1935	Teaque	
4,646,141 A	2/1987	Timmermans et al.	
D377,940 S	2/1997	Totsch	
D441,386 S	5/2001	Yamazaki	
D460,474 S	7/2002	Gotham et al.	
D504,904 S	5/2005	Nagai et al.	
7,413,357 B2	8/2008	Badalian	
D582,955 S	12/2008	Sekine et al.	
8,014,656 B2 *	9/2011	Woodman	396/25
D646,313 S	10/2011	Woodman	
D657,808 S	4/2012	Woodman	
D657,811 S *	4/2012	Woodman	D16/219
D702,277 S	4/2014	Woodman	
D710,921 S	8/2014	Gioscia et al.	
D710,922 S *	8/2014	Gioscia et al.	D16/200
8,870,475 B1 *	10/2014	Bennett et al.	396/419
D725,169 S *	3/2015	Gioscia et al.	D16/200

* cited by examiner

Primary Examiner — Adir Aronovich

(74) *Attorney, Agent, or Firm* — Fenwick & West LLP

(57) **CLAIM**

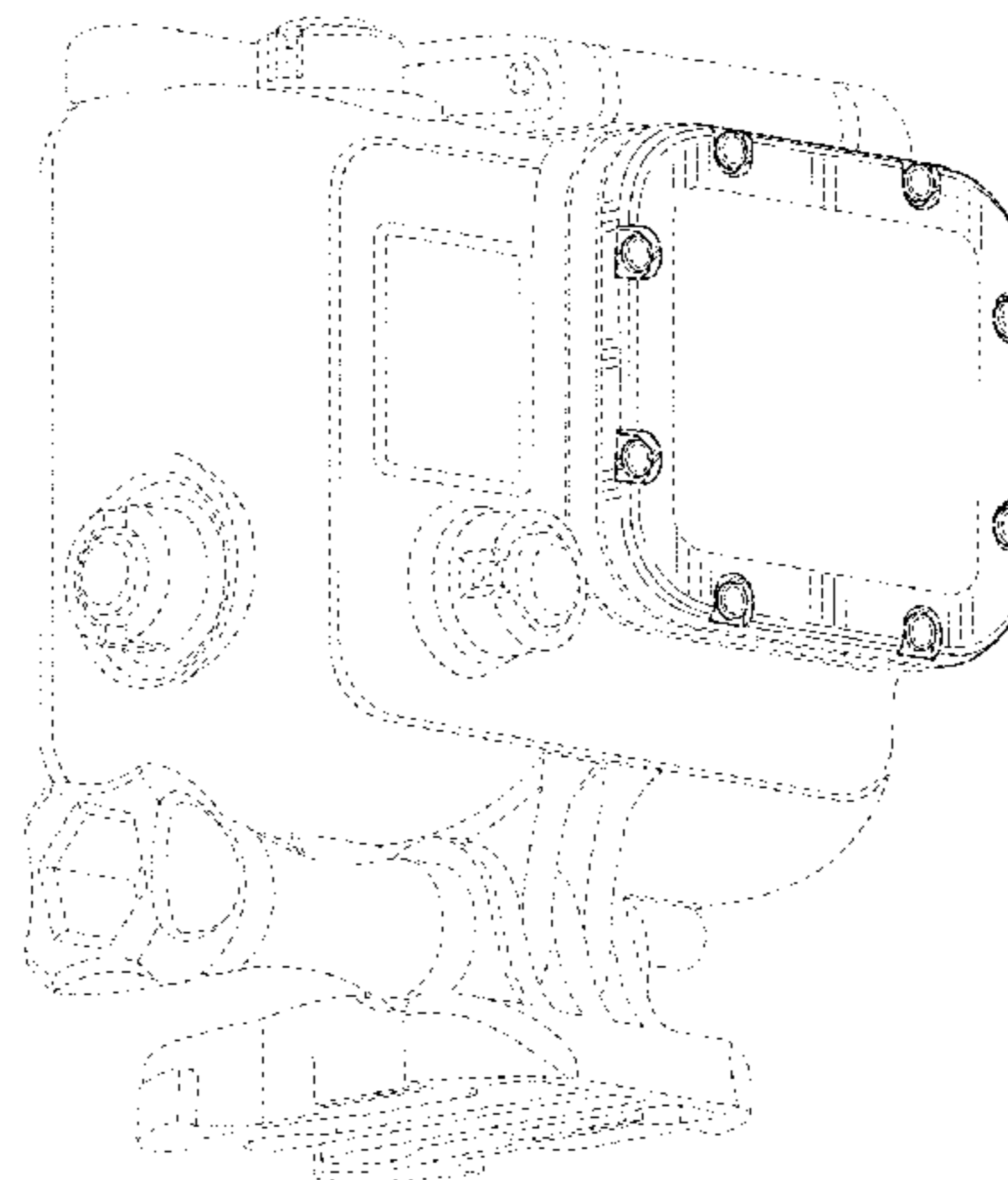
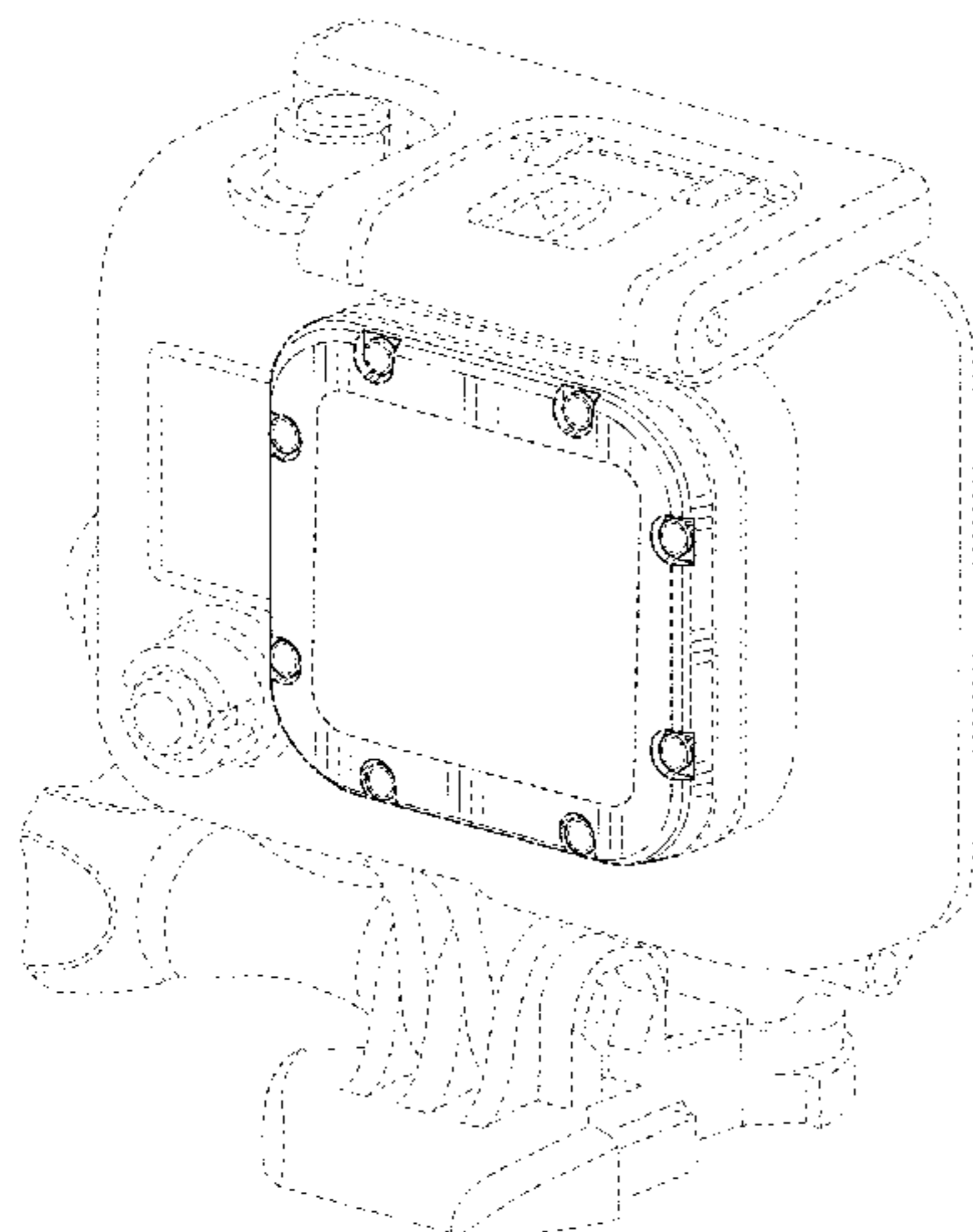
The ornamental design for a camera housing, as shown and described.

DESCRIPTION

FIG. 1 is a front, top and right side prospective view of a camera housing showing our new design;
 FIG. 2 is a front, bottom and left side perspective view thereof;
 FIG. 3 is a front elevational view thereof;
 FIG. 4 is a left side elevational view thereof;
 FIG. 5 is a right side elevational view thereof;
 FIG. 6 is a top plan view thereof; and,
 FIG. 7 is a bottom plan view thereof.

The broken lines in the drawings showing portions of the camera housing are included for the purpose of illustrating environmental structure and form no part of the claimed design.

1 Claim, 7 Drawing Sheets



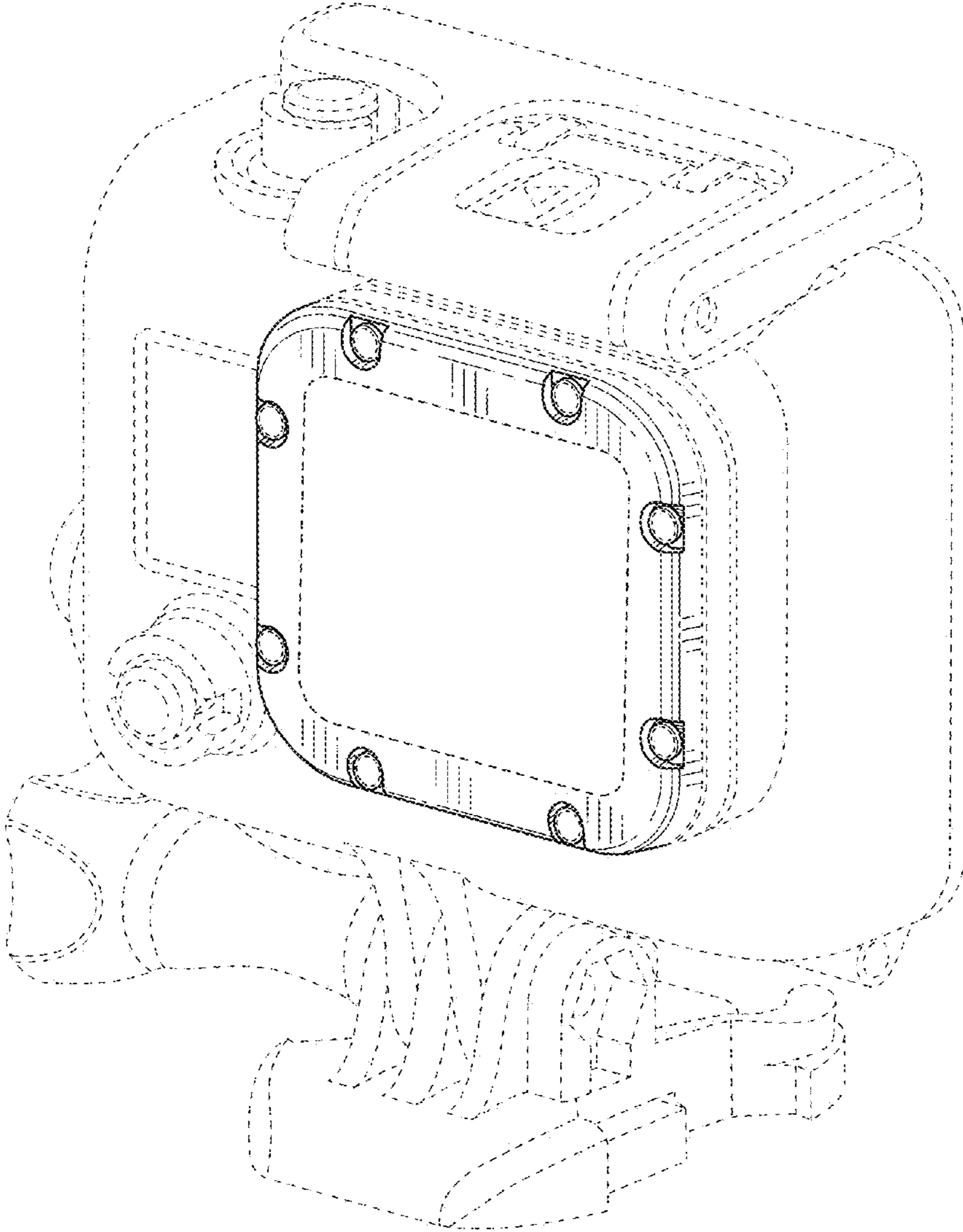


FIG. 1

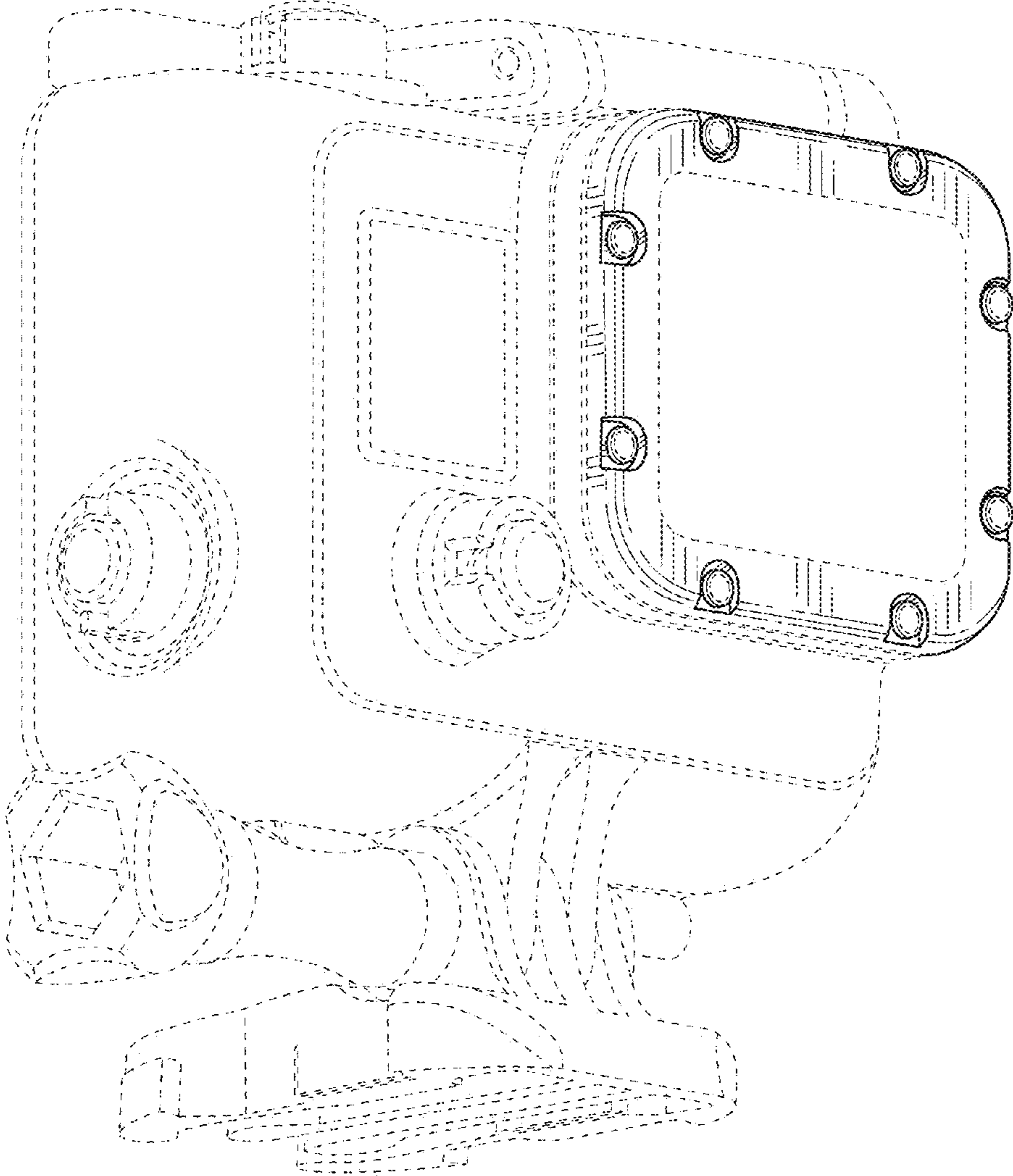


FIG. 2

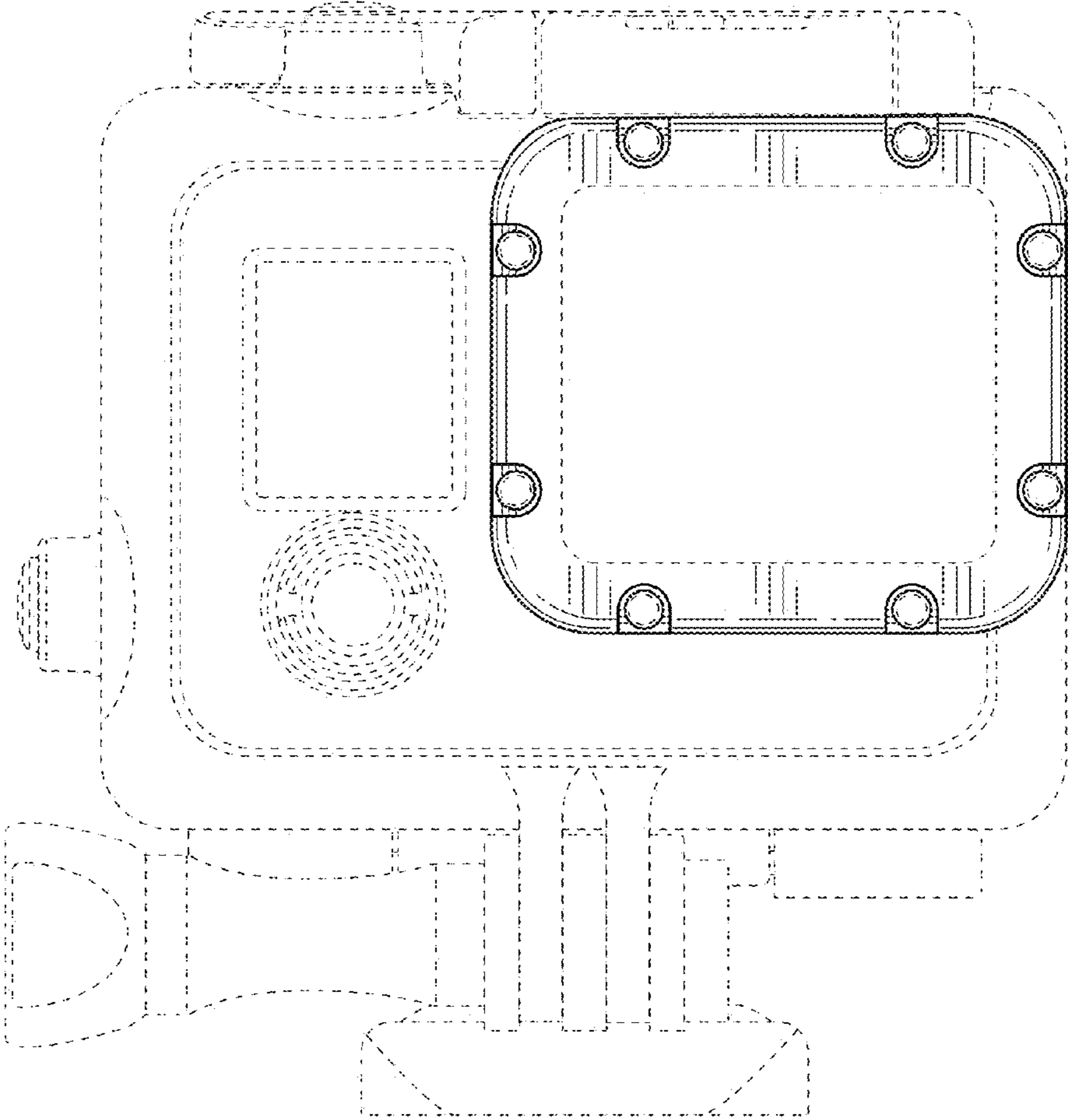


FIG. 3

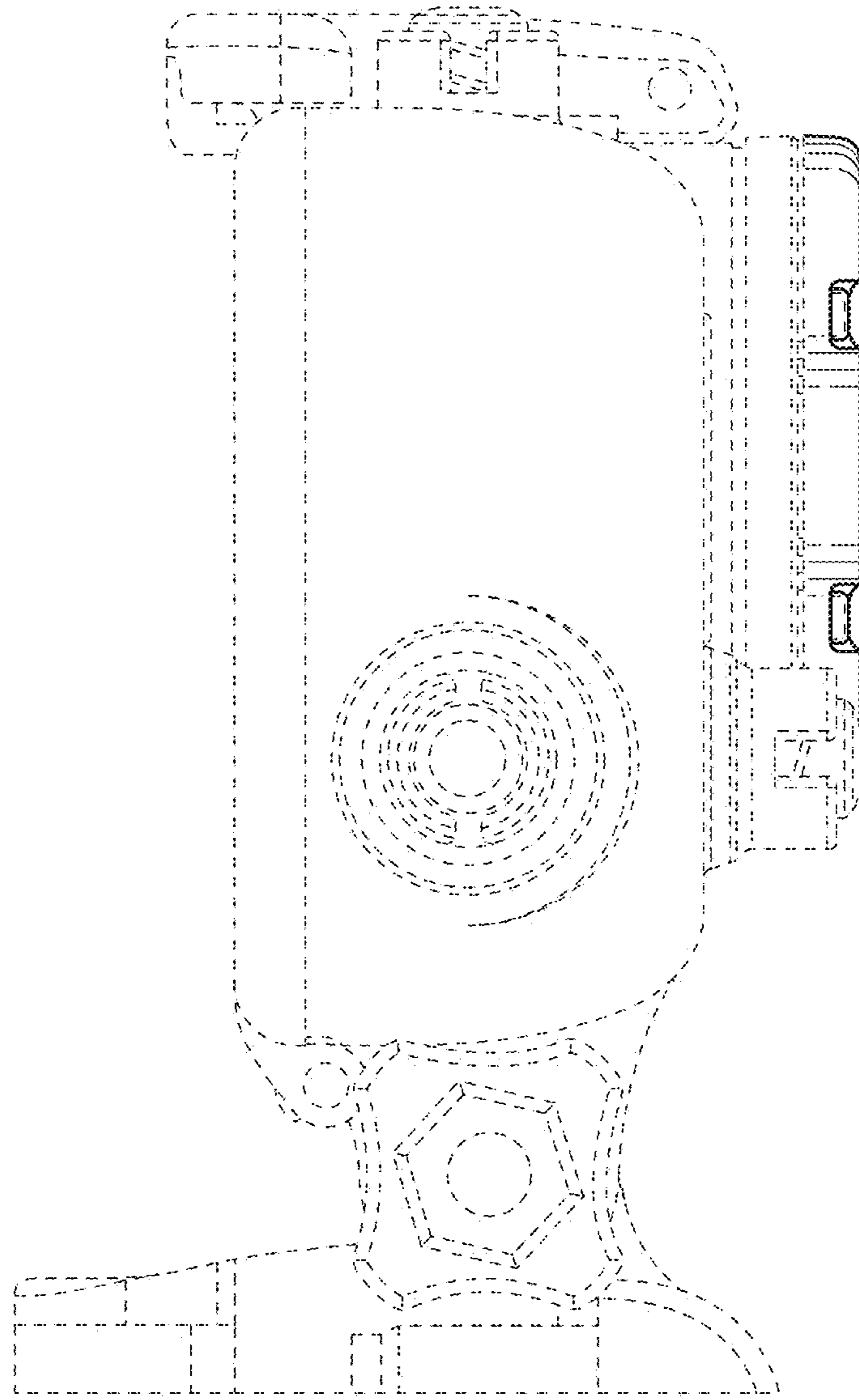


FIG. 4

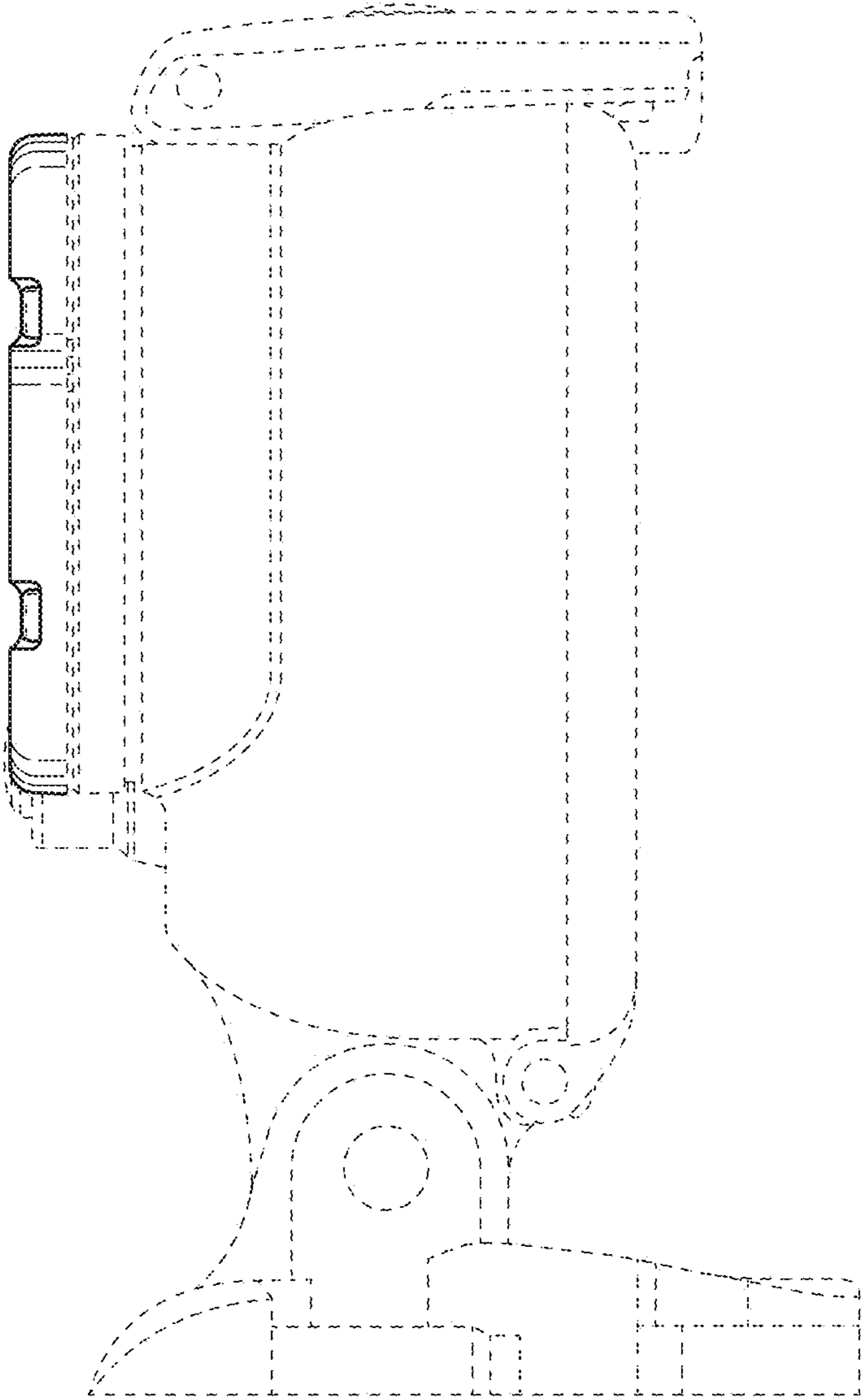


FIG. 5

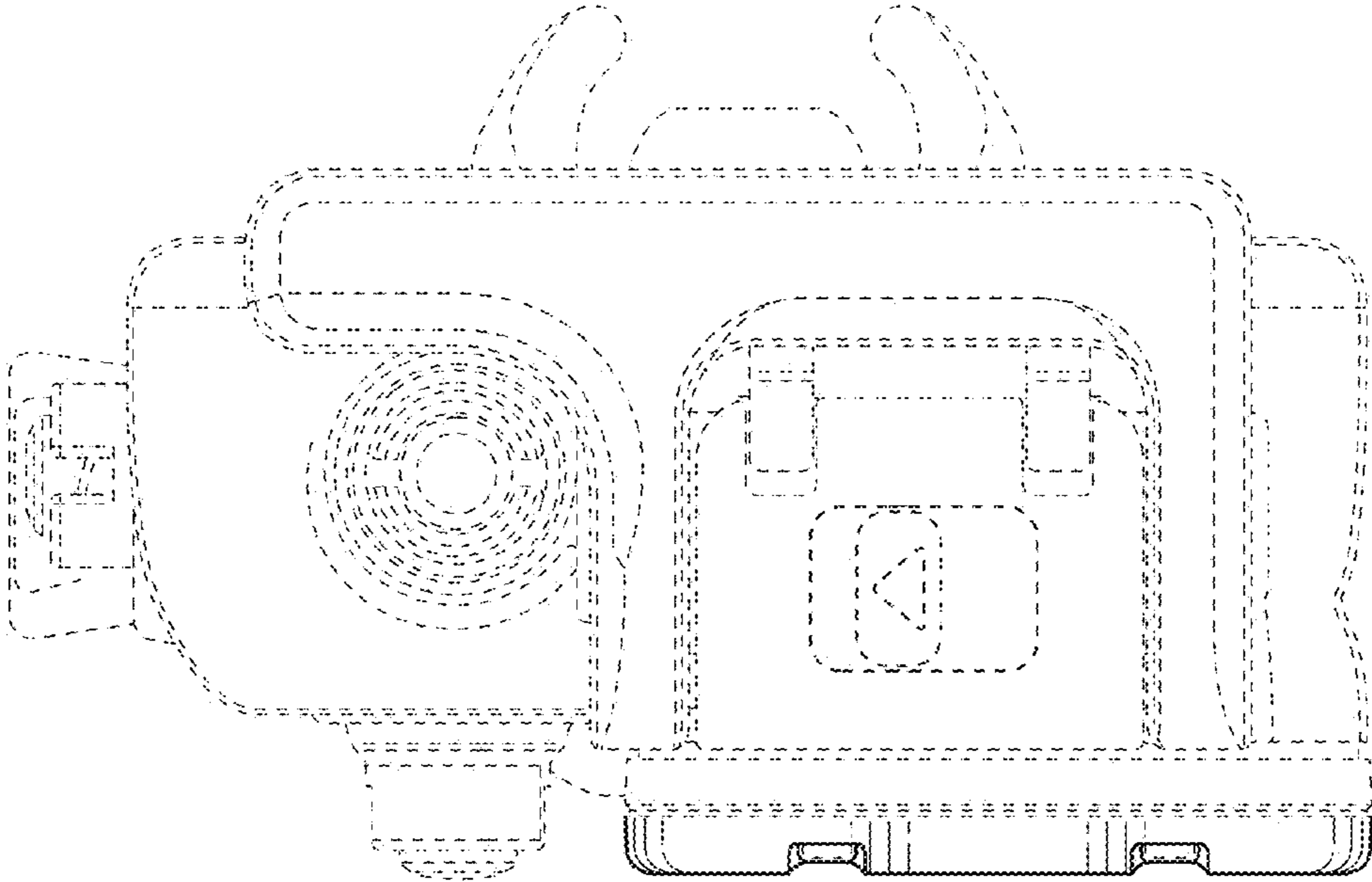


FIG. 6

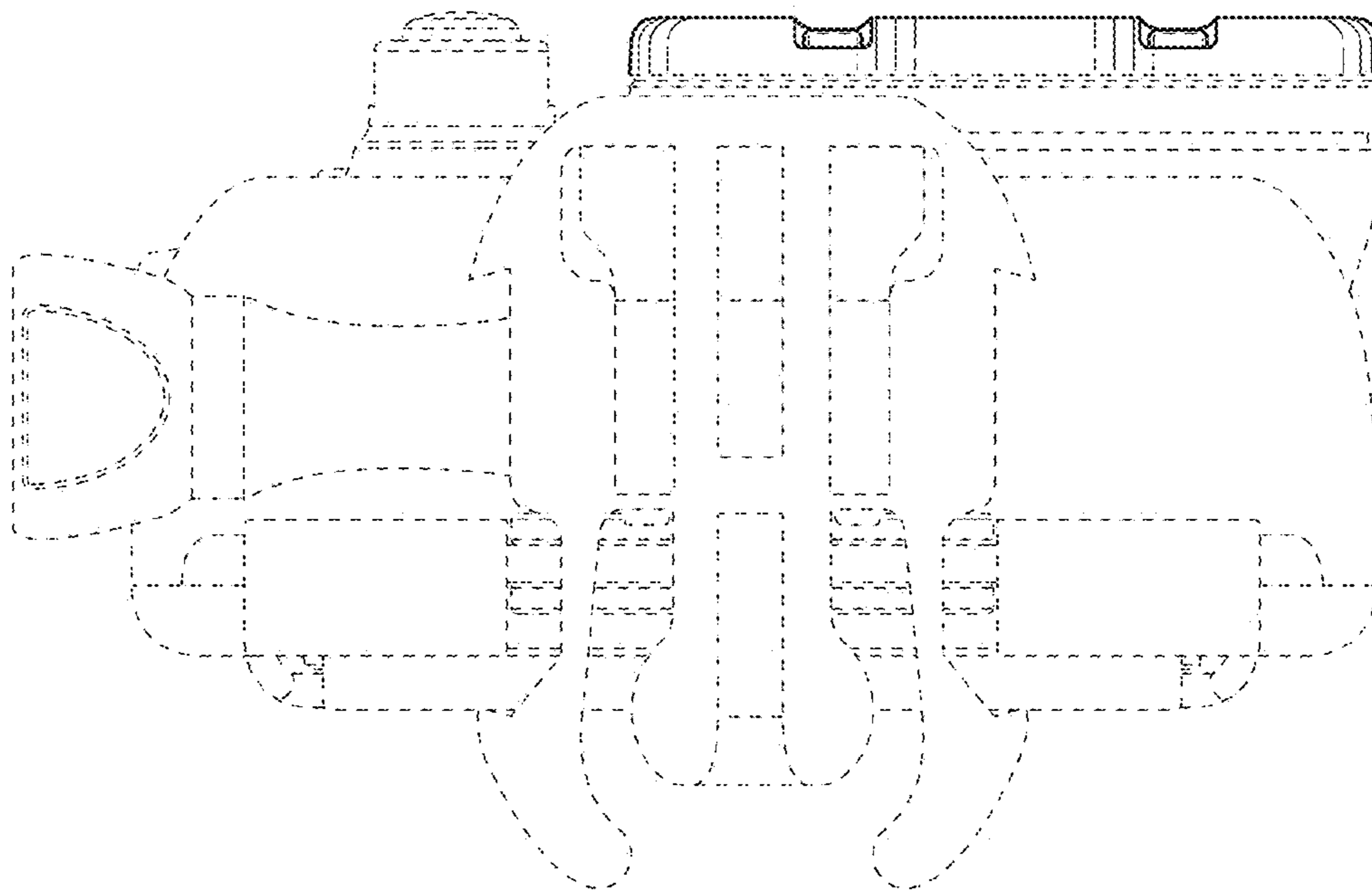


FIG. 7