



US00D740874S

(12) **United States Design Patent**
Ahman et al.

(10) **Patent No.:** **US D740,874 S**
(45) **Date of Patent:** **** Oct. 13, 2015**

(54) **MONITORING CAMERA**

(71) Applicant: **AXIS AB**, Lund (SE)

(72) Inventors: **Daniel Ahman**, Lomma (SE); **Magnus Ainetoft**, Lund (SE); **Morten Bergstrom**, Bjarred (SE); **Elin Carrander**, Bjarred (SE); **David Fagerkvist**, Bunkeflostrand (SE); **Johan Haag**, Lund (SE); **Daniel Johansson**, Malmo (SE); **Magnus Sjoberg**, Lomma (SE)

(73) Assignee: **AXIS AB**, Lund (SE)

(**) Term: **14 Years**

(21) Appl. No.: **29/511,517**

(22) Filed: **Dec. 11, 2014**

Related U.S. Application Data

(62) Division of application No. 29/425,298, filed on Jun. 21, 2012, now Pat. No. Des. 721,755.

Foreign Application Priority Data

Dec. 22, 2011 (EM) 001307292-01-03
Dec. 22, 2011 (EM) 001307342-01-06

(51) **LOC (10) Cl.** **16-01**

(52) **U.S. Cl.**
USPC **D16/203**; D16/219

(58) **Field of Classification Search**
USPC D16/200, 202–206, 218, 219, 242;
348/143, 148, 151, 373–376; 396/419,
396/427, 535, 539–541
CPC G03B 17/02; G03B 19/04; G03B 17/56;
G03B 17/04; G03B 15/03; H04N 5/2251;
H04N 5/2252; H04N 5/2253; H04N 5/2254;
H04N 7/181; H04N 7/183; H04N 7/18;
G08B 13/1963; G08B 13/19619; G08B
13/19632; F16M 11/04; F16M 13/00
See application file for complete search history.

(56) **References Cited**

U.S. PATENT DOCUMENTS

D425,535 S * 5/2000 Mutoh et al. D16/203
D452,696 S 1/2002 Fenton
D494,992 S 8/2004 Seo

(Continued)

FOREIGN PATENT DOCUMENTS

TW D113100 9/2006
TW D135662 8/2009
TW D141836 8/2011

OTHER PUBLICATIONS

“Axis P33 Network Camera Series, Fixed Domes for any Environment with Remote Focus and Zoom”, Axis Communications Data Sheet, 2011 Axis Communications AB.

Primary Examiner — Susan E Krakower

Assistant Examiner — Ramzi Almatrahi

(74) *Attorney, Agent, or Firm* — Volpe and Koenig, P.C.

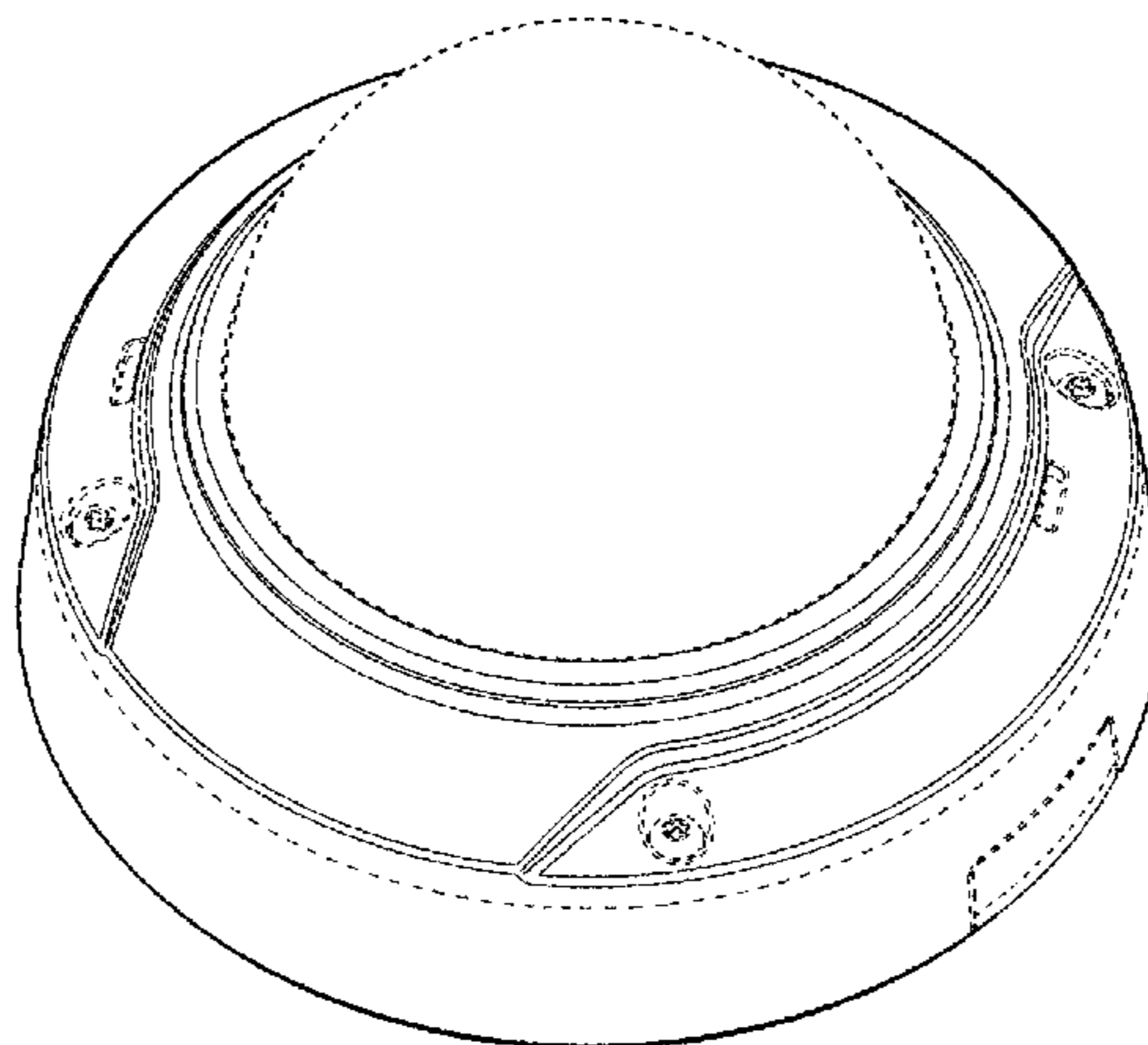
(57) **CLAIM**

The ornamental design for a monitoring camera, as shown and described.

DESCRIPTION

FIG. 1 is a top, front perspective view of a monitoring camera showing our new design;
FIG. 2 is a top plan view thereof;
FIG. 3 is a front elevational view thereof;
FIG. 4 is a right side elevational view thereof;
FIG. 5 is a left side elevational view thereof;
FIG. 6 is a rear elevational view thereof; and,
FIG. 7 is a bottom plan view thereof.
The broken lines depict portions of a monitoring camera in which the design is embodied and form no part of the claimed design.

1 Claim, 4 Drawing Sheets



(56)

References Cited

U.S. PATENT DOCUMENTS

D552,501 S	10/2007	Lin et al.			
D561,220 S	2/2008	Alm et al.			
D565,628 S *	4/2008	Alm et al.	D16/219		
D575,810 S	8/2008	Alm			
D610,183 S	2/2010	Nohavec et al.			
D612,883 S	3/2010	Yamakawa			
D628,225 S	11/2010	Deurwaarder			
D633,120 S	2/2011	Ham			
D636,805 S *	4/2011	Anneback et al.	D16/203		
D639,328 S	6/2011	Zeinoun et al.			
				D639,842 S	6/2011 Zeinoun et al.
				D645,071 S	9/2011 Hinkel
				D647,553 S	10/2011 Park
				8,066,438 B2	11/2011 Takahashi
				D650,410 S *	12/2011 Helaoui et al. D16/203
				D657,410 S *	4/2012 Helaoui et al. D16/203
				D688,720 S	8/2013 Yilin
				8,558,945 B2	10/2013 Yamauchi et al.
				2003/0103161 A1 *	6/2003 Tatewaki et al. 348/375
				2008/0084474 A1	4/2008 Bergstrom et al.
				2011/0158637 A1	6/2011 Jung et al.
				2013/0223833 A1	8/2013 Tenenbaum et al.

* cited by examiner

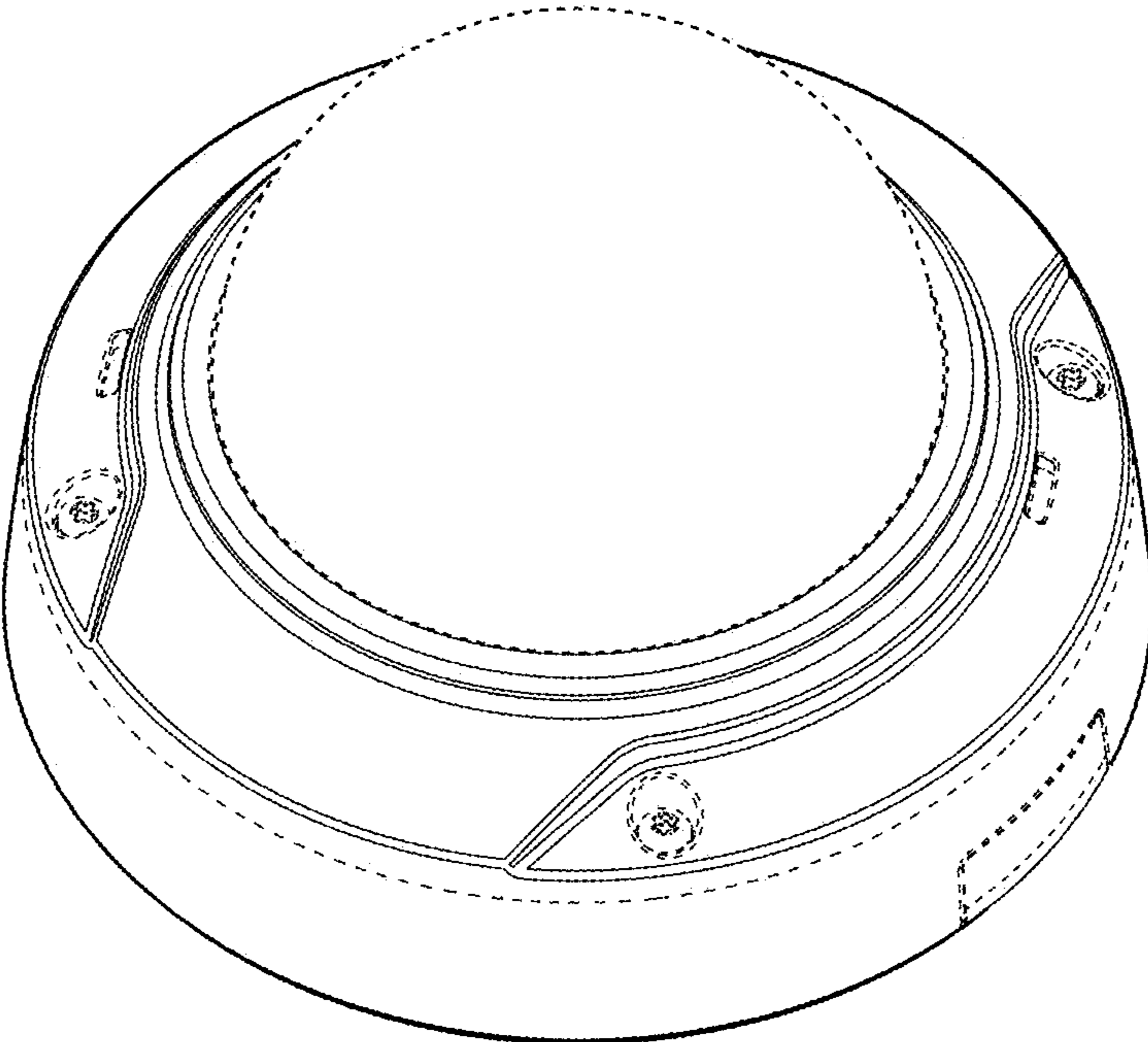


Fig. 1

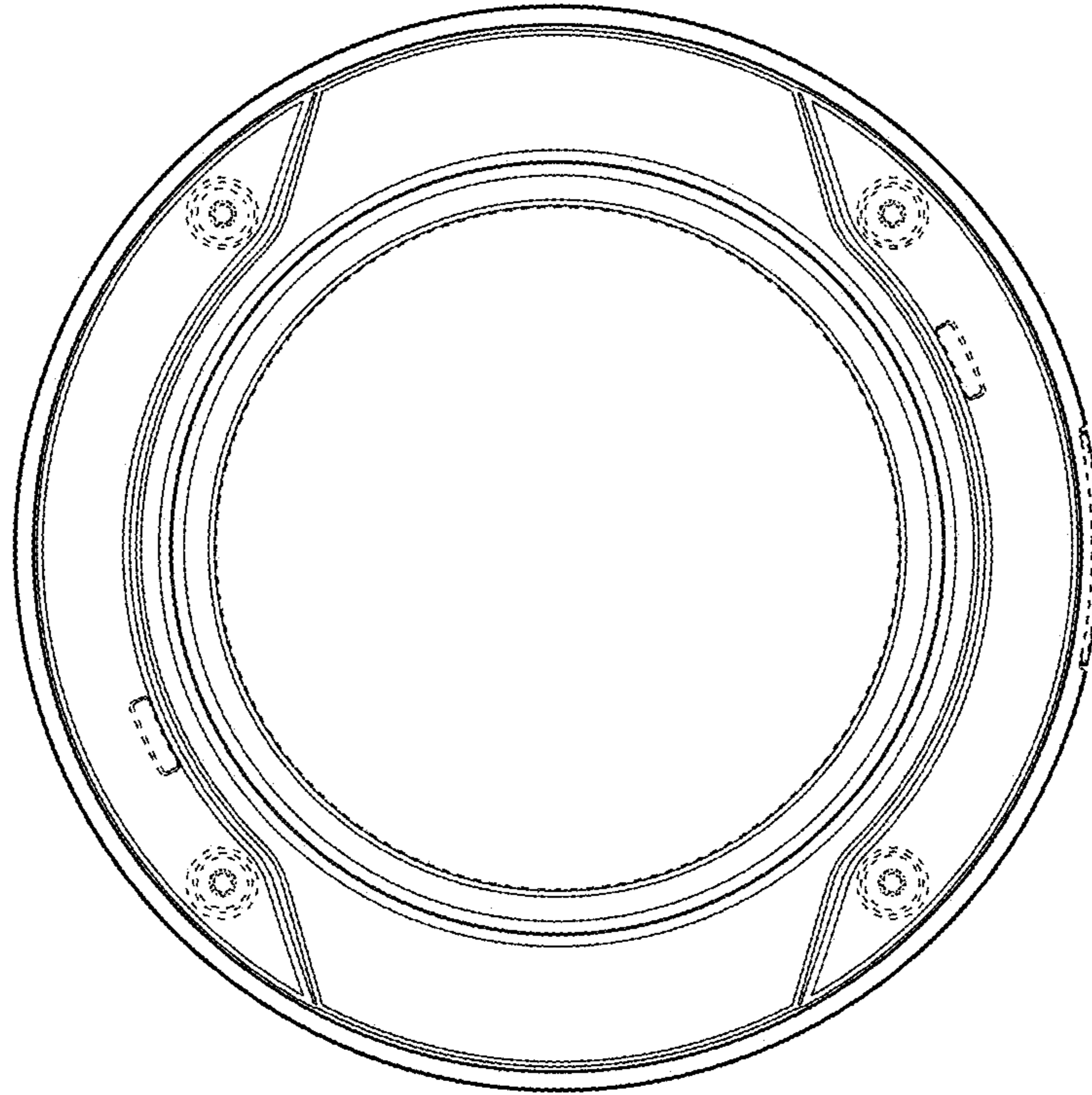


Fig. 2

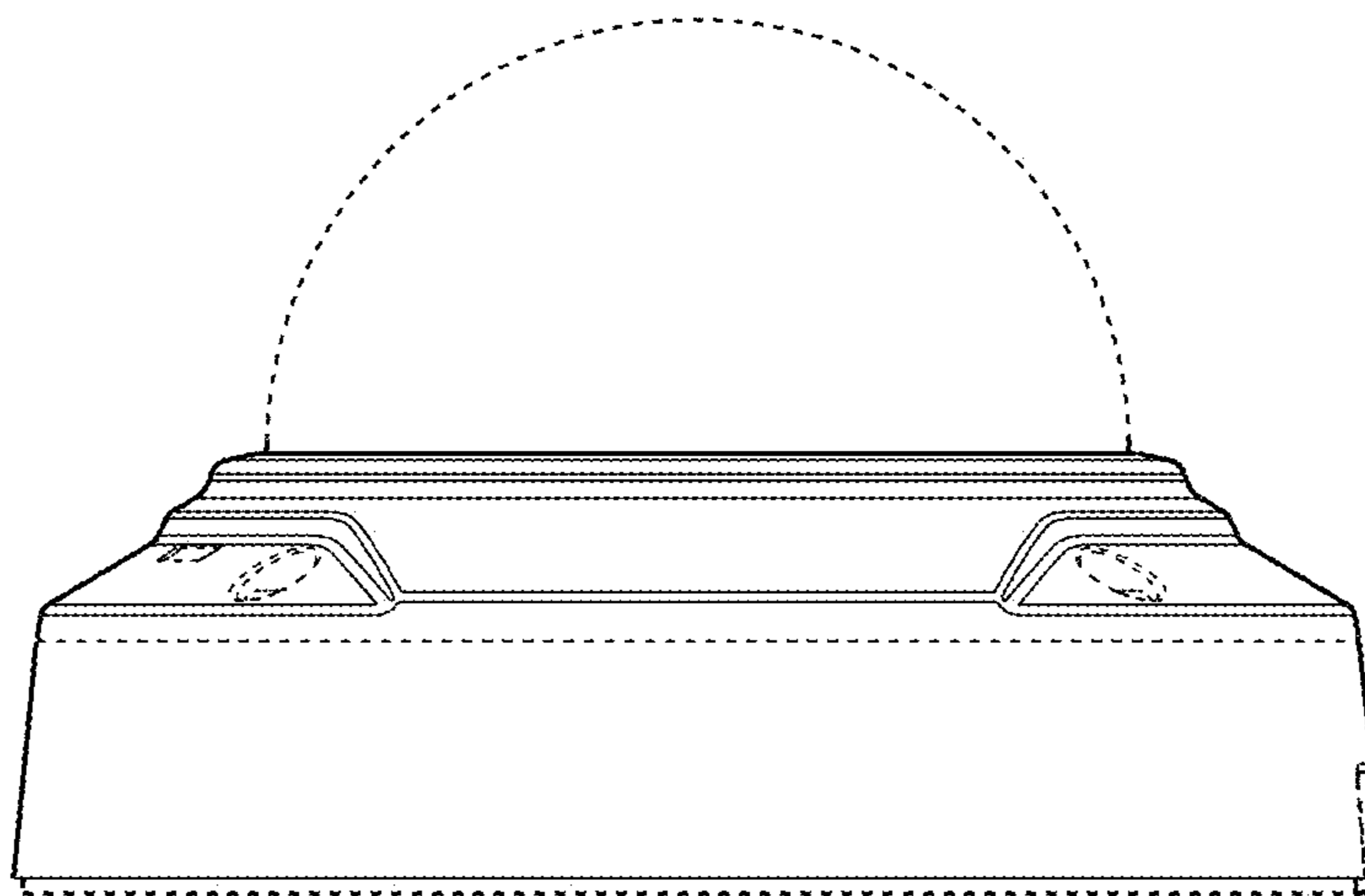


Fig. 3

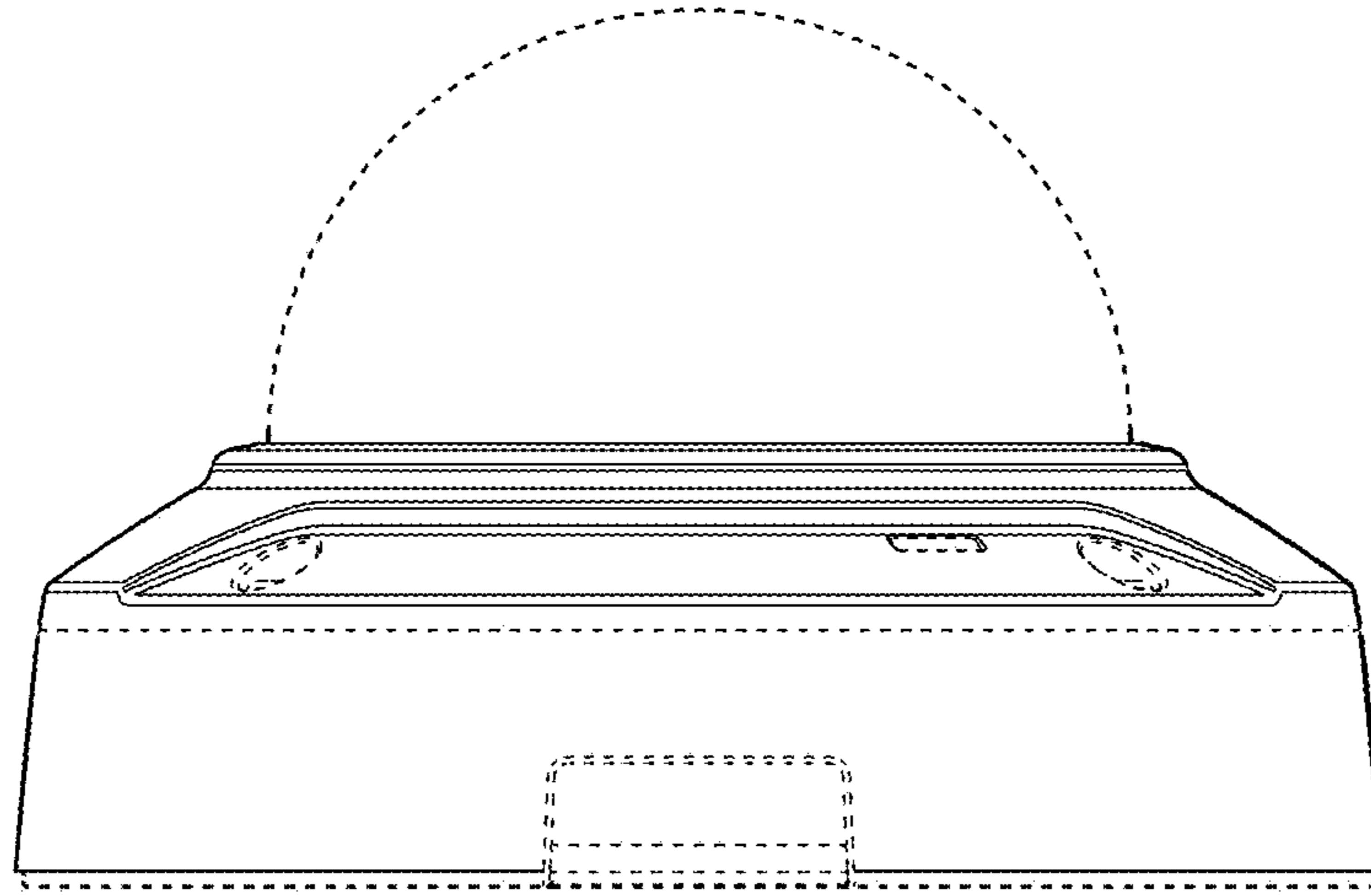


Fig. 4

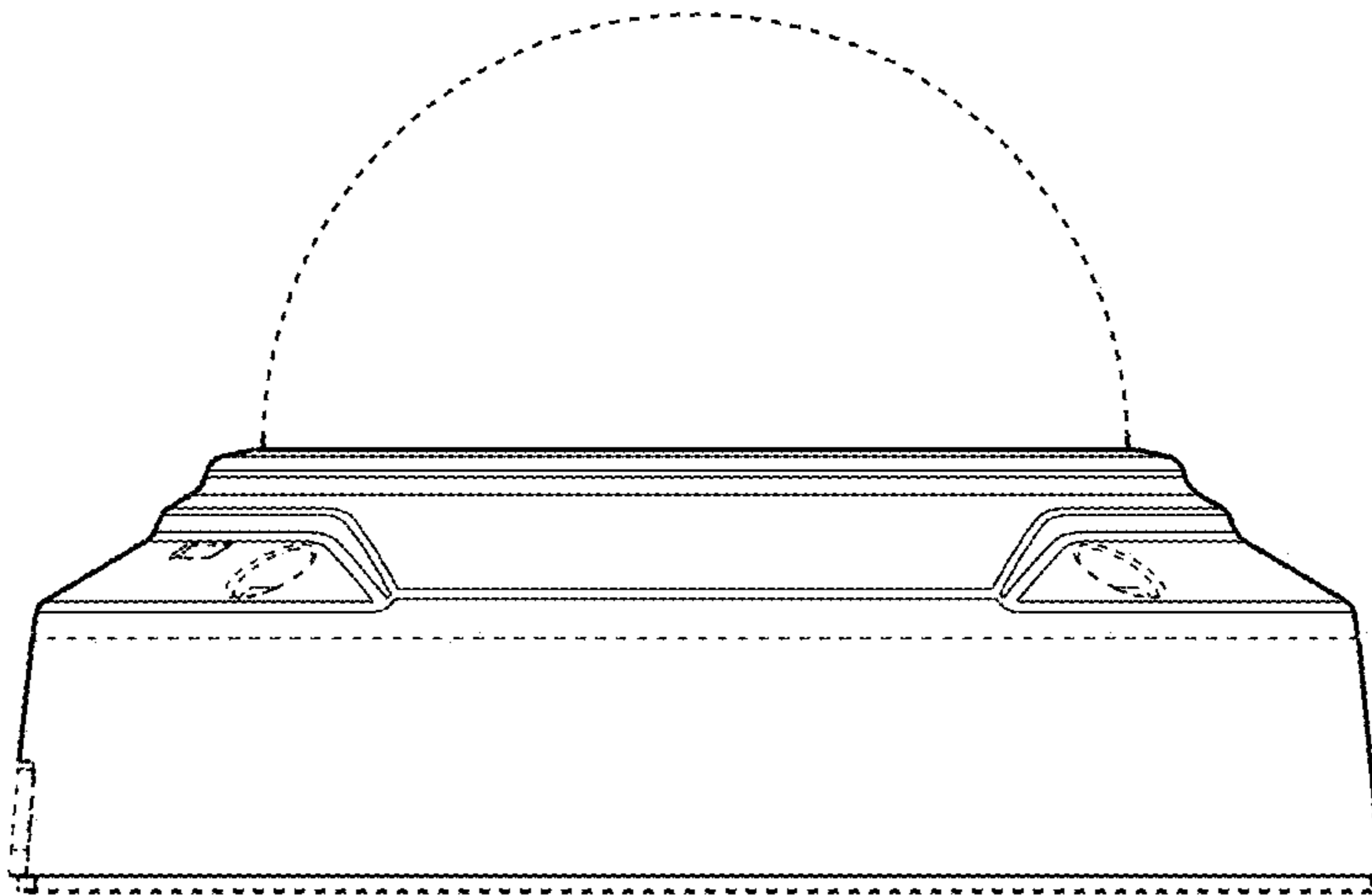


Fig. 5

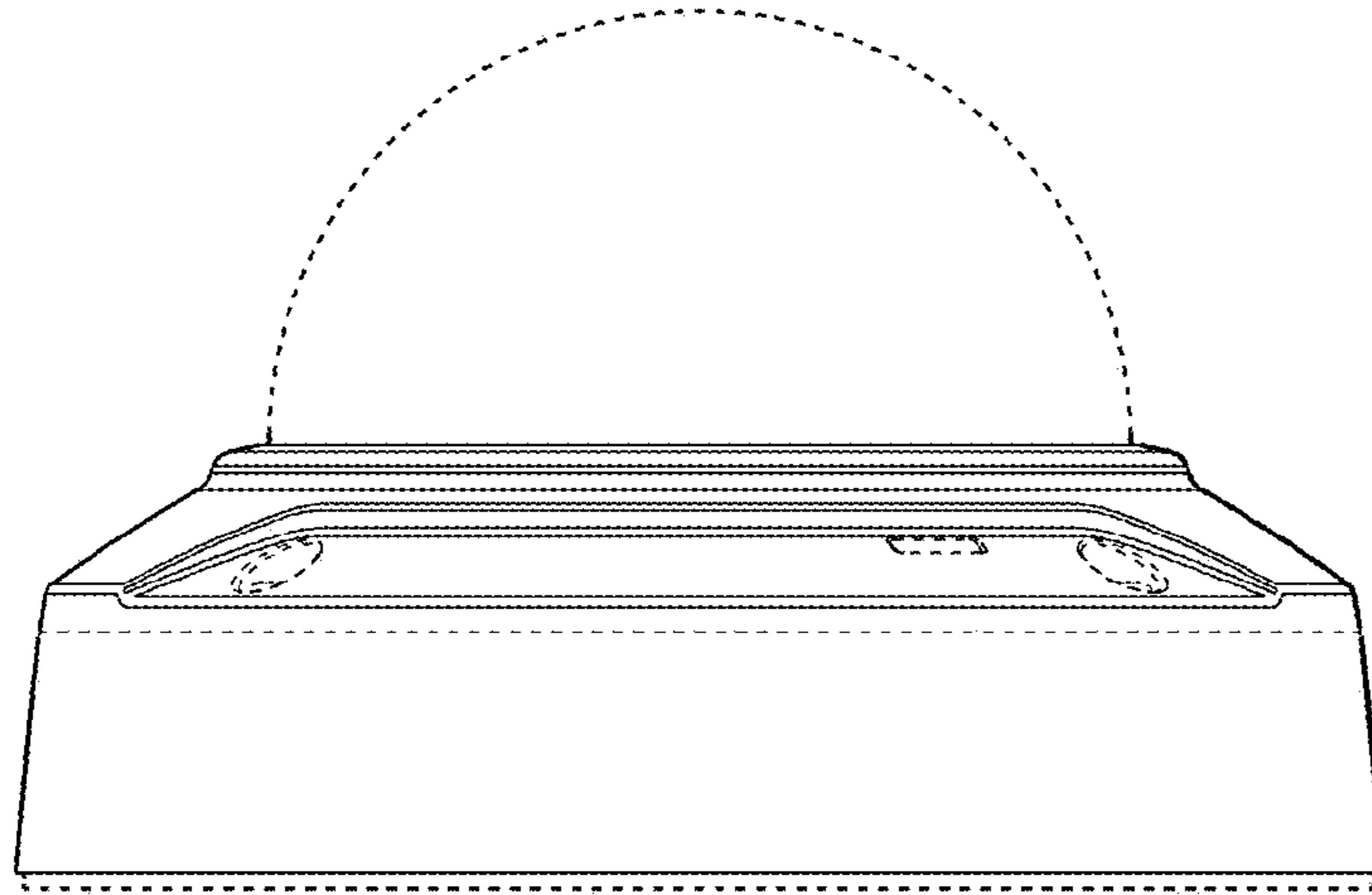


Fig. 6

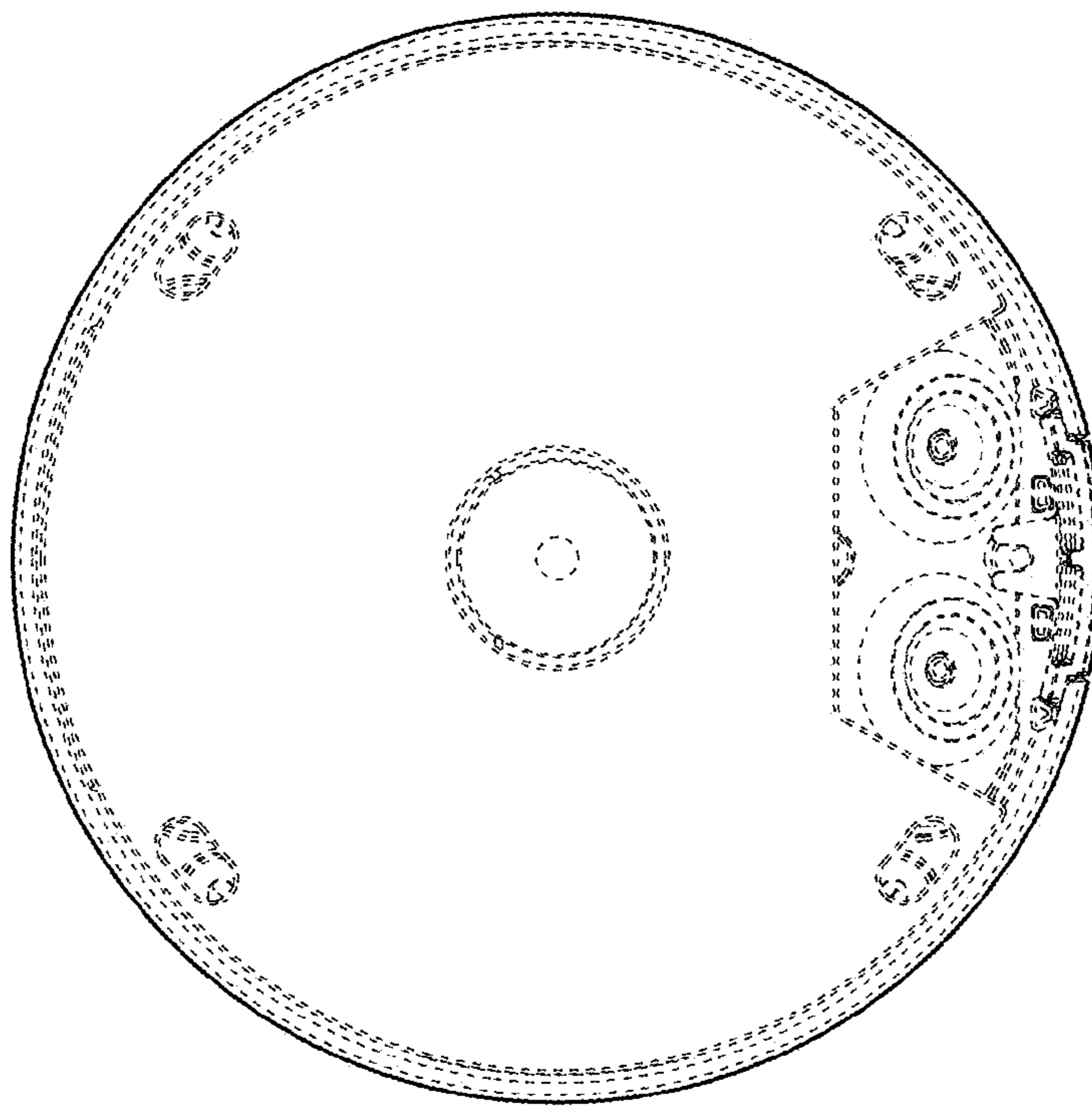


Fig. 7