



US00D740873S

(12) **United States Design Patent**  
**Scalisi**

(10) **Patent No.:** **US D740,873 S**  
(45) **Date of Patent:** **\*\* Oct. 13, 2015**

(54) **LIGHT SOCKET CAMERA**

- (71) Applicant: **SkyBell Technologies, Inc.**, Irvine, CA (US)
- (72) Inventor: **Joseph Frank Scalisi**, Yorba Linda, CA (US)
- (73) Assignee: **SkyBell Technologies, Inc.**, Irvine, CA (US)
- (\*\*) Term: **14 Years**
- (21) Appl. No.: **29/497,748**
- (22) Filed: **Jul. 28, 2014**
- (51) **LOC (10) Cl.** ..... **16-01**
- (52) **U.S. Cl.**  
USPC ..... **D16/203; D26/2**
- (58) **Field of Classification Search**  
USPC ..... D16/200, 202–206, 218, 219, 242;  
D26/1–3; 313/315, 318.01; 348/143,  
348/148, 151, 373–376; 396/419, 427, 535,  
396/539–541  
CPC ..... G03B 17/02; G03B 19/04; G03B 17/56;  
G03B 17/04; G03B 15/03; H04N 5/2251;  
H04N 5/2252; H04N 5/2253; H04N 5/2254;  
H04N 7/181; H04N 7/183; H04N 7/18;  
G08B 13/1963; G08B 13/19619; G08B  
13/19632  
See application file for complete search history.

(56) **References Cited**

**U.S. PATENT DOCUMENTS**

D179,803 S *	3/1957	Gillette	.....	D16/202
D435,576 S *	12/2000	McBride	.....	D16/203
D435,577 S *	12/2000	McBride	.....	D16/203
D487,939 S *	3/2004	Smith	.....	D26/2
D494,287 S *	8/2004	Matsui et al.	.....	D26/2
D509,842 S *	9/2005	Ou	.....	D16/203
D592,231 S *	5/2009	Schnell	.....	D16/202
D646,801 S *	10/2011	Chou	.....	D26/2
8,334,656 B2 *	12/2012	Weiss	.....	315/33
D689,220 S *	9/2013	Zhang	.....	D26/2
8,780,201 B1	7/2014	Scalisi et al.		
D722,709 S *	2/2015	Bosua	.....	D26/2
D728,655 S *	5/2015	Daniel	.....	D16/203
2011/0156566 A1 *	6/2011	Chen et al.	.....	313/46

**OTHER PUBLICATIONS**

AC Adapter Spy Camera—Downloaded on Jun. 24, 2014 from <http://www.ahdcameras.com/1080p-ac-adapter-spy-camera-power-supply-hidden-camera-with-remote.html>. Light Bulb 1—Downloaded on Jul. 8, 2014 from [http://www.ec.gc.ca/mercure-mercury/2486B388-8A91-4796-B86D-4F0DA76884EA/compact\\_fluorescent.jpg](http://www.ec.gc.ca/mercure-mercury/2486B388-8A91-4796-B86D-4F0DA76884EA/compact_fluorescent.jpg). Light Bulb 2—Downloaded on Jul. 8, 2014 from [https://grabcad.com/library/bulb\\_11w-e27](https://grabcad.com/library/bulb_11w-e27).

\* cited by examiner

*Primary Examiner* — Adir Aronovich  
*Assistant Examiner* — Ramzi Almatrahi

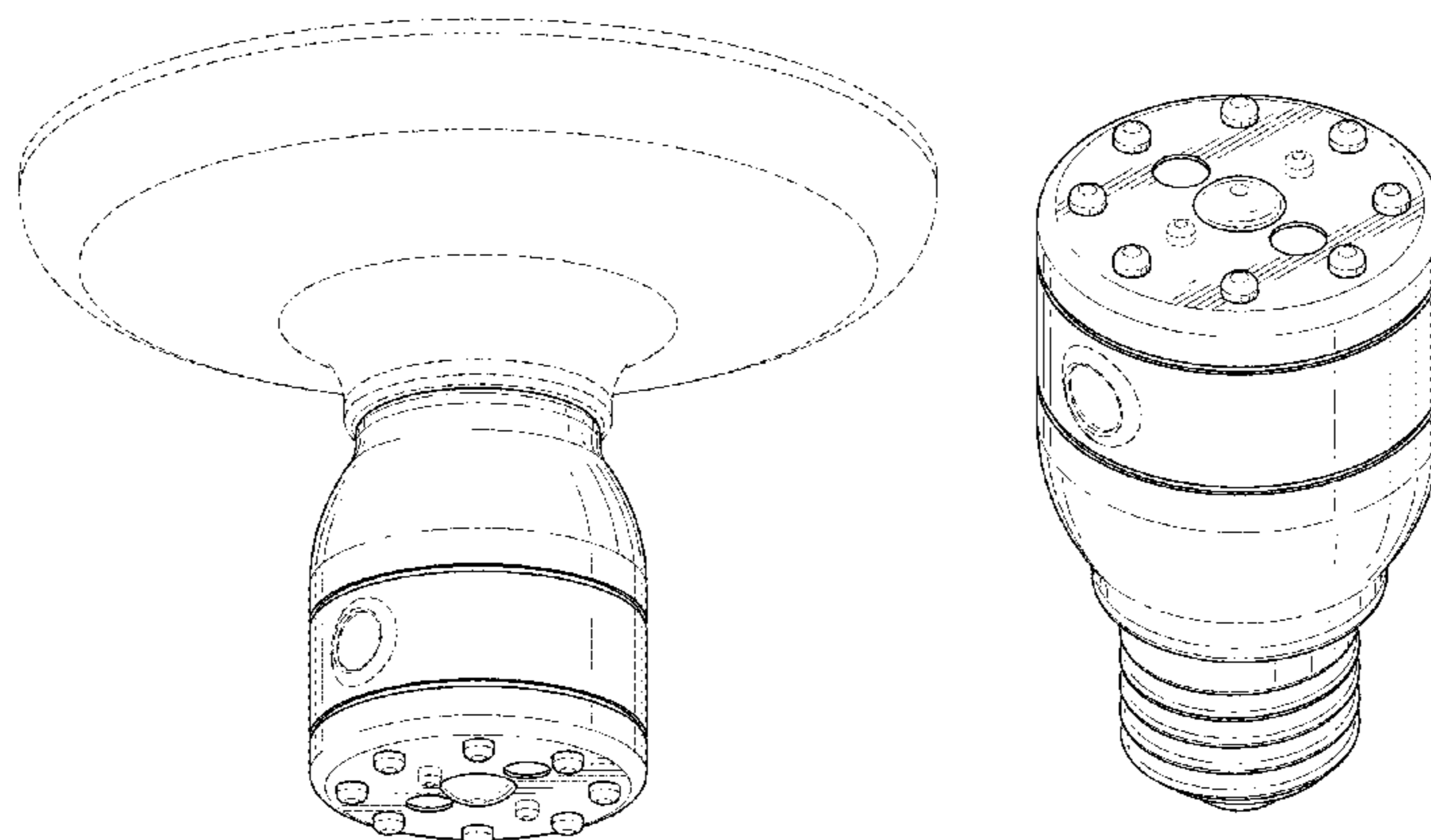
(57) **CLAIM**

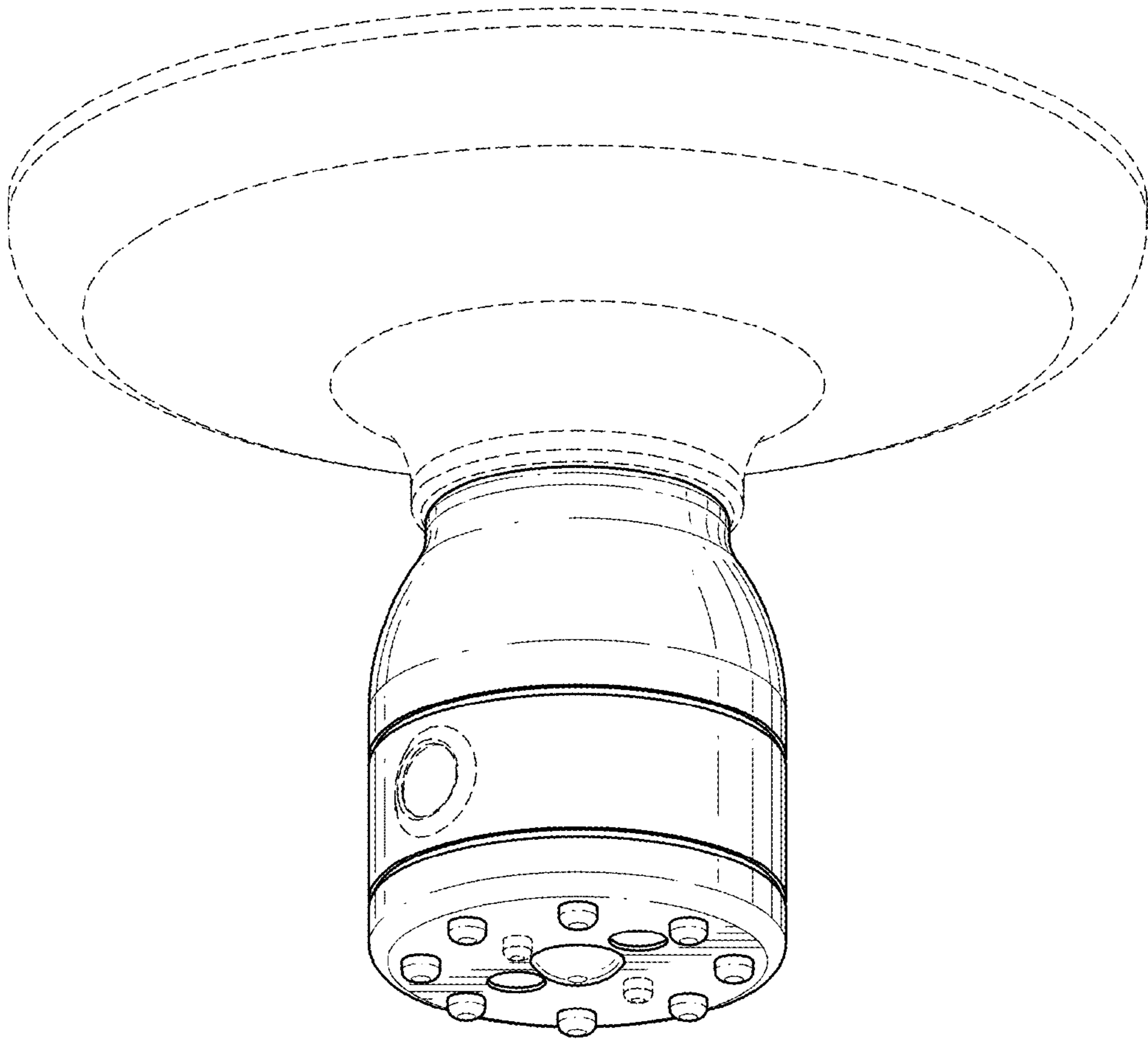
The ornamental design for a light socket camera, as shown and described.

**DESCRIPTION**

FIG. 1 is a bottom, front and right side perspective view of a light socket camera embodying the new design, coupled with a light socket shown in broken lines to illustrate an environment;  
FIG. 2 is a bottom, front and right side perspective view thereof, uncoupled with a light socket shown in broken lines to illustrate an environment;  
FIG. 3 is a bottom, front and left side perspective view thereof;  
FIG. 4 is a top, front and right side perspective view thereof;  
FIG. 5 is a front elevation view thereof;  
FIG. 6 is a rear elevation view thereof;  
FIG. 7 is a right side elevation view thereof;  
FIG. 8 is a left side elevation view thereof;  
FIG. 9 is a bottom plan view thereof; and,  
FIG. 10 is a top plan view thereof.  
The broken lines showing of a light socket in FIGS. 1 and 2 represent environmental structure and form no part of the claimed design. The broken lines depict portions of a light socket camera in which the design is embodied and form no part of the claimed design.

**1 Claim, 5 Drawing Sheets**





*FIG. 1*

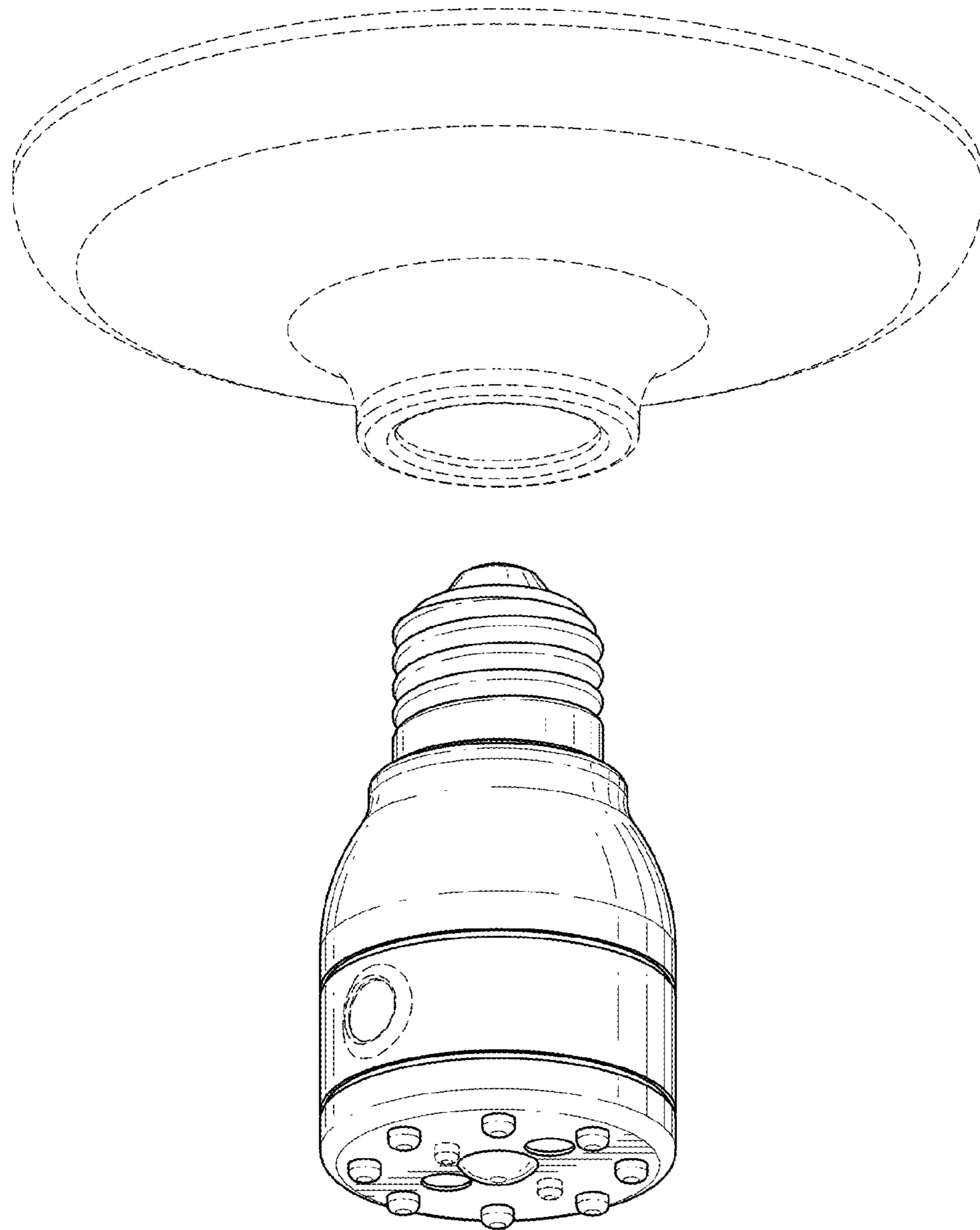
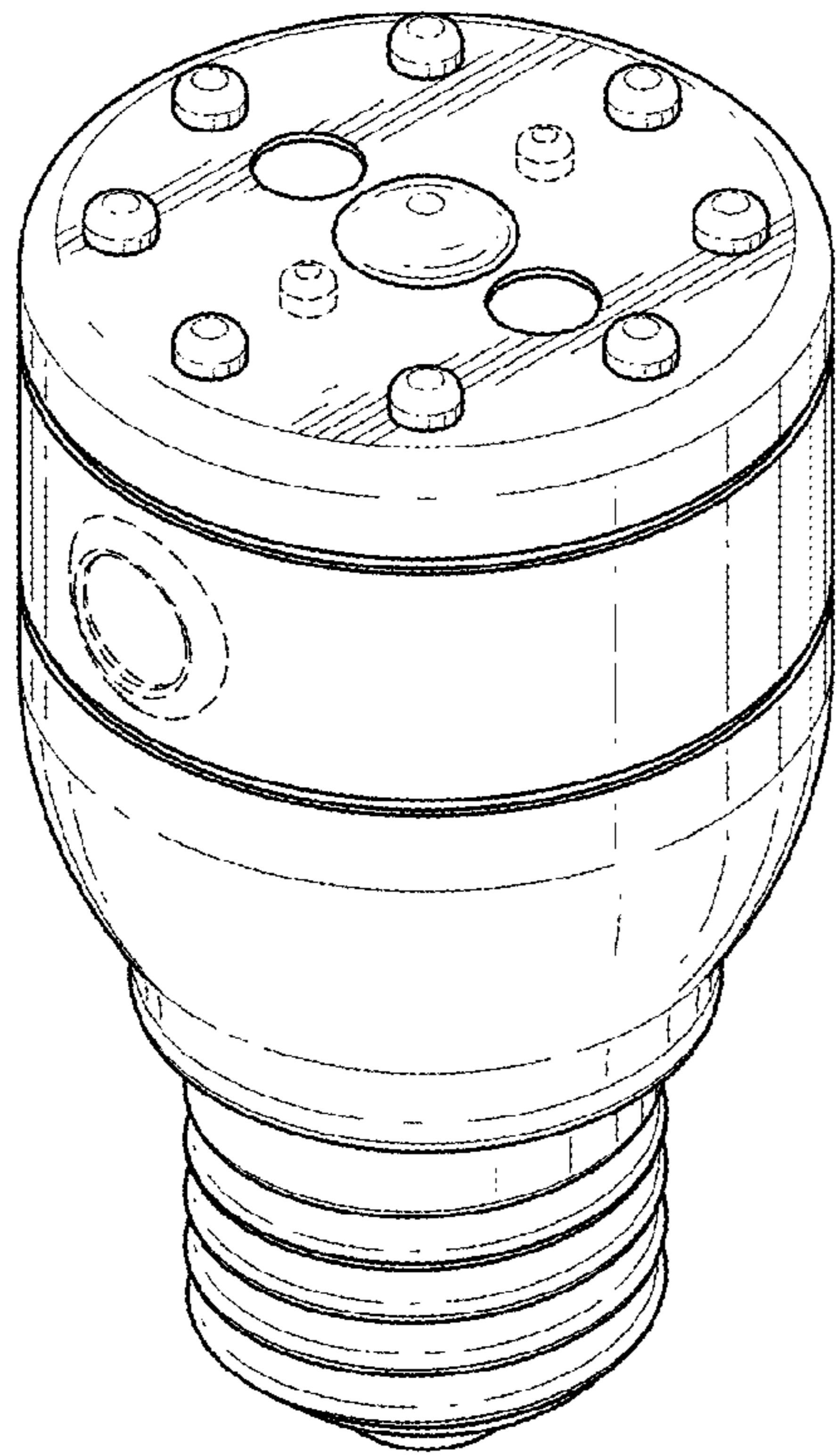
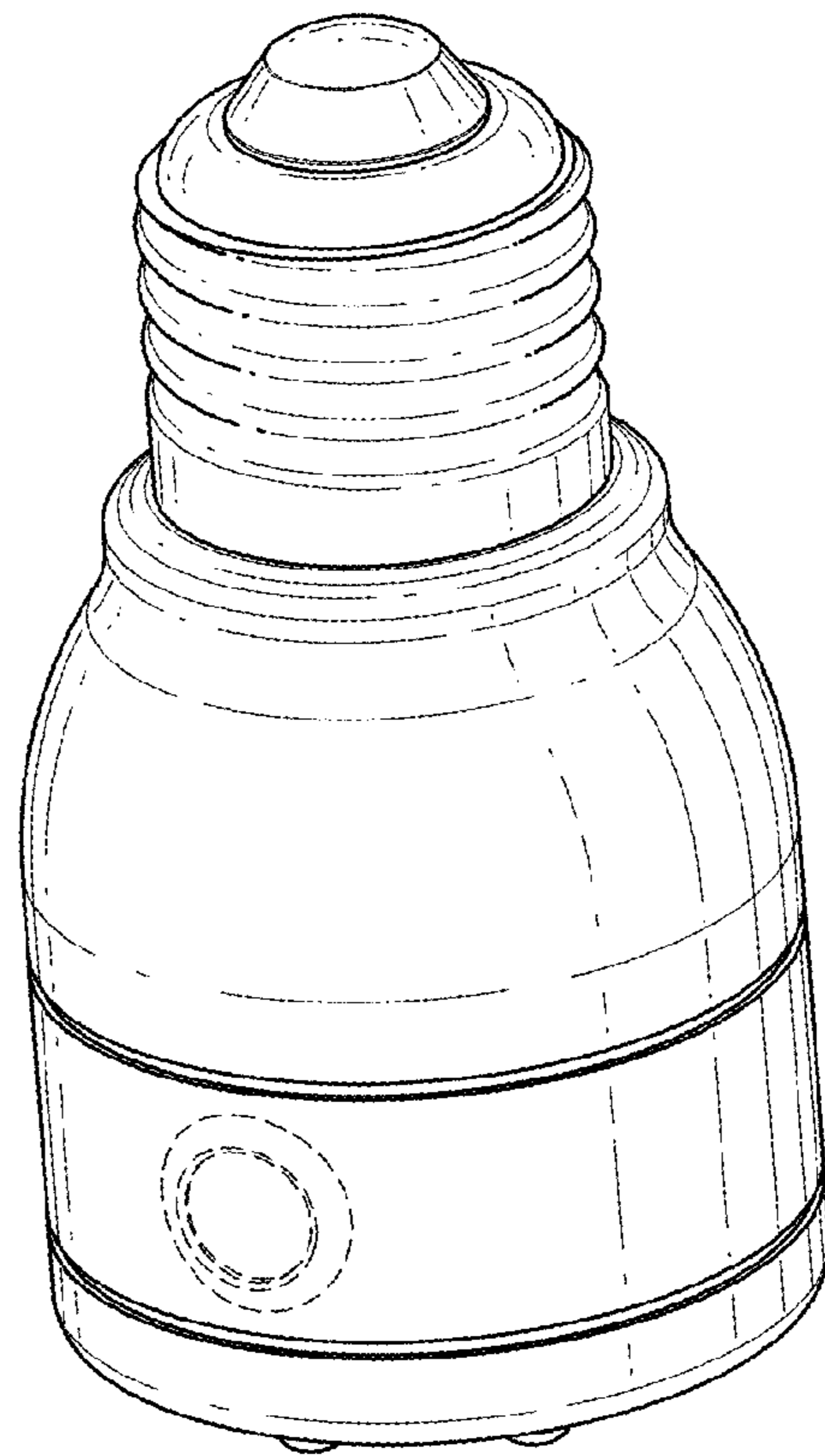


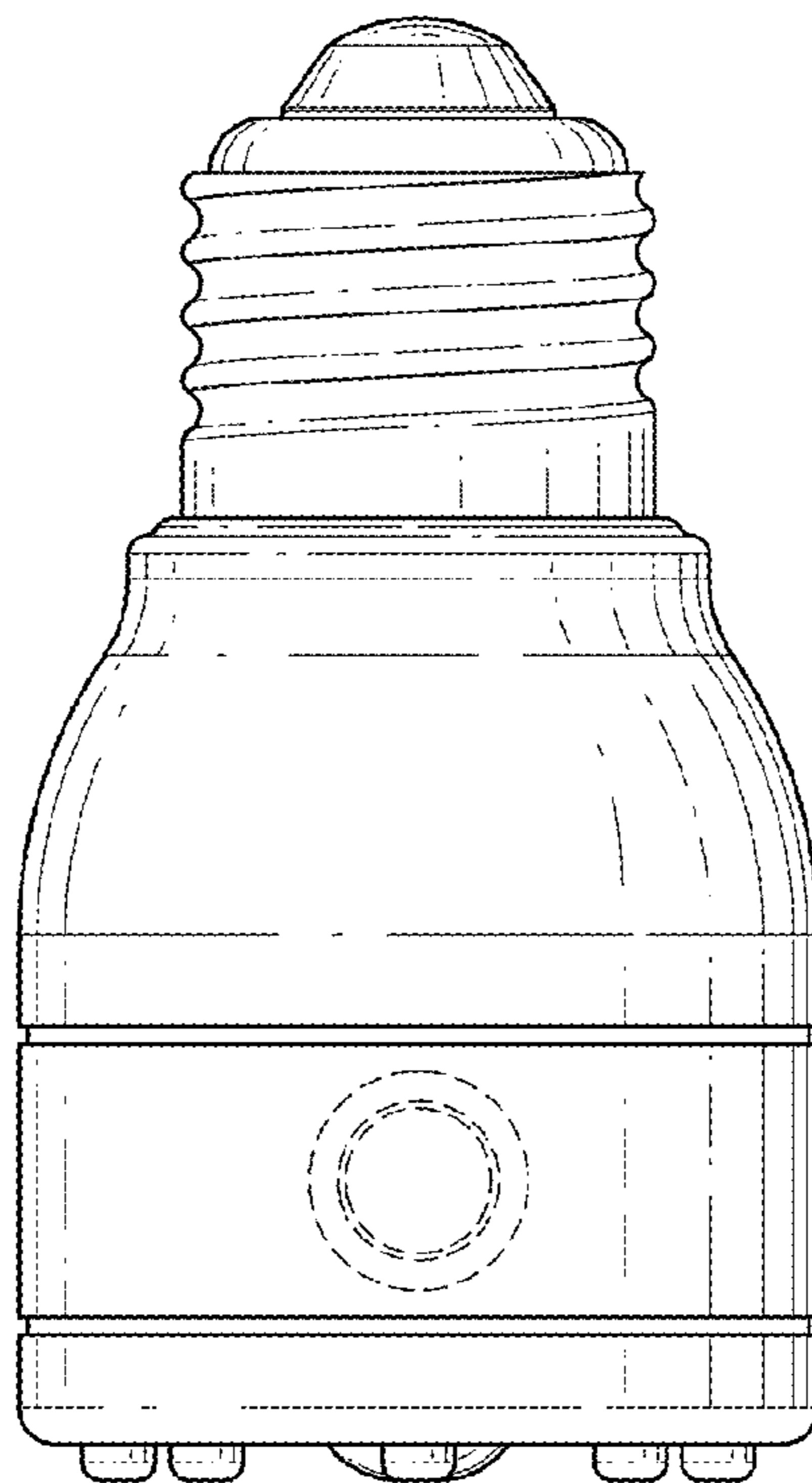
FIG. 2



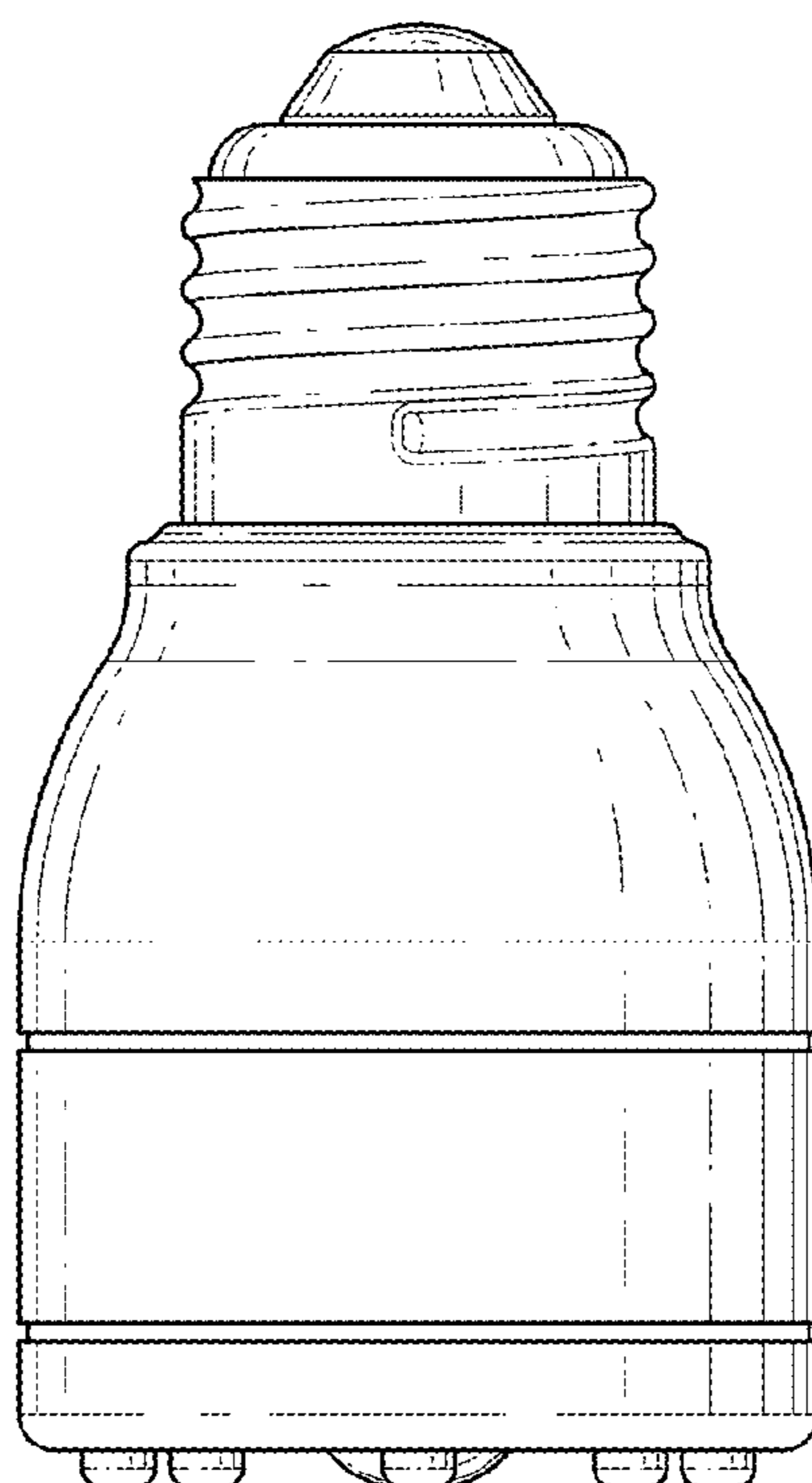
*FIG. 3*



*FIG. 4*



*FIG. 5*



*FIG. 6*

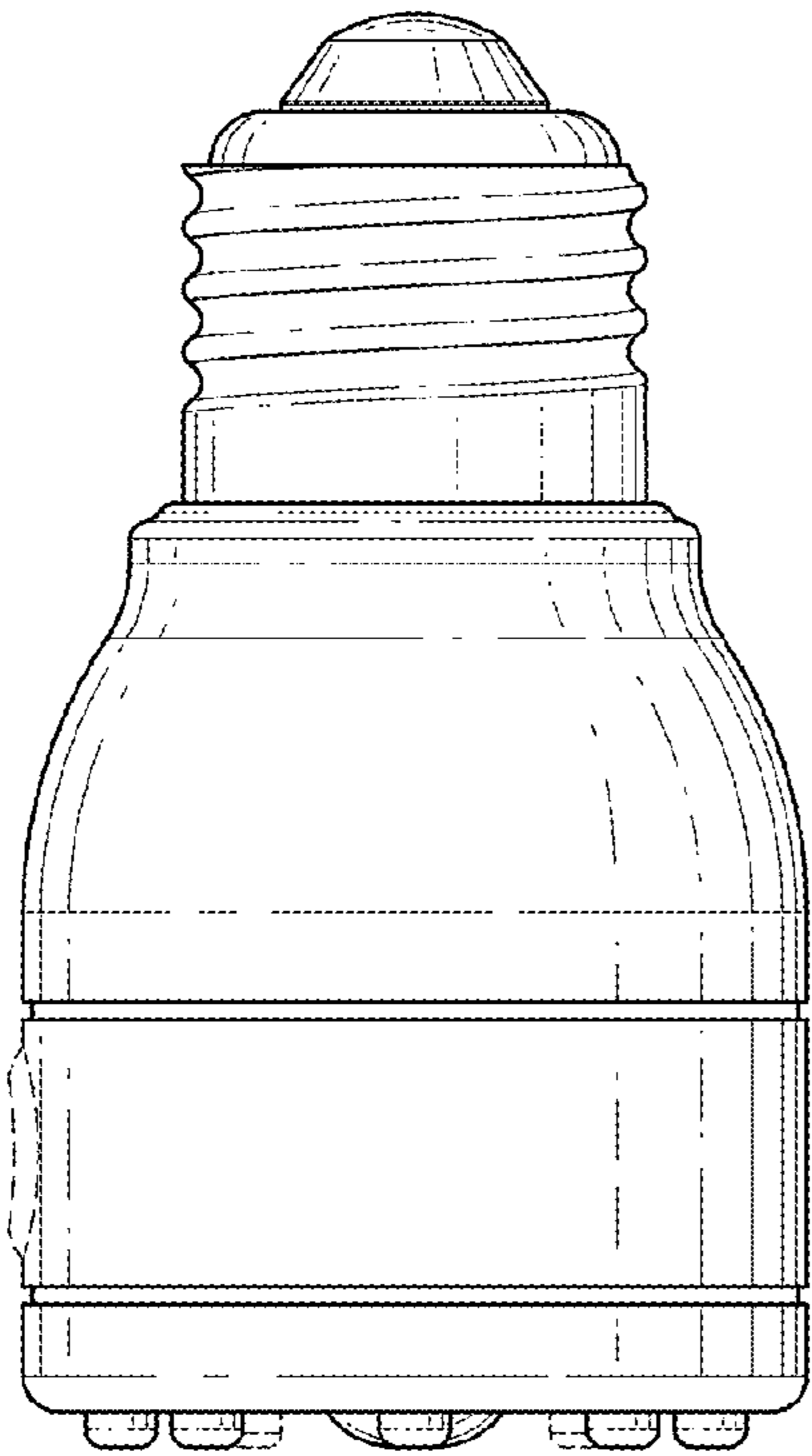


FIG. 7

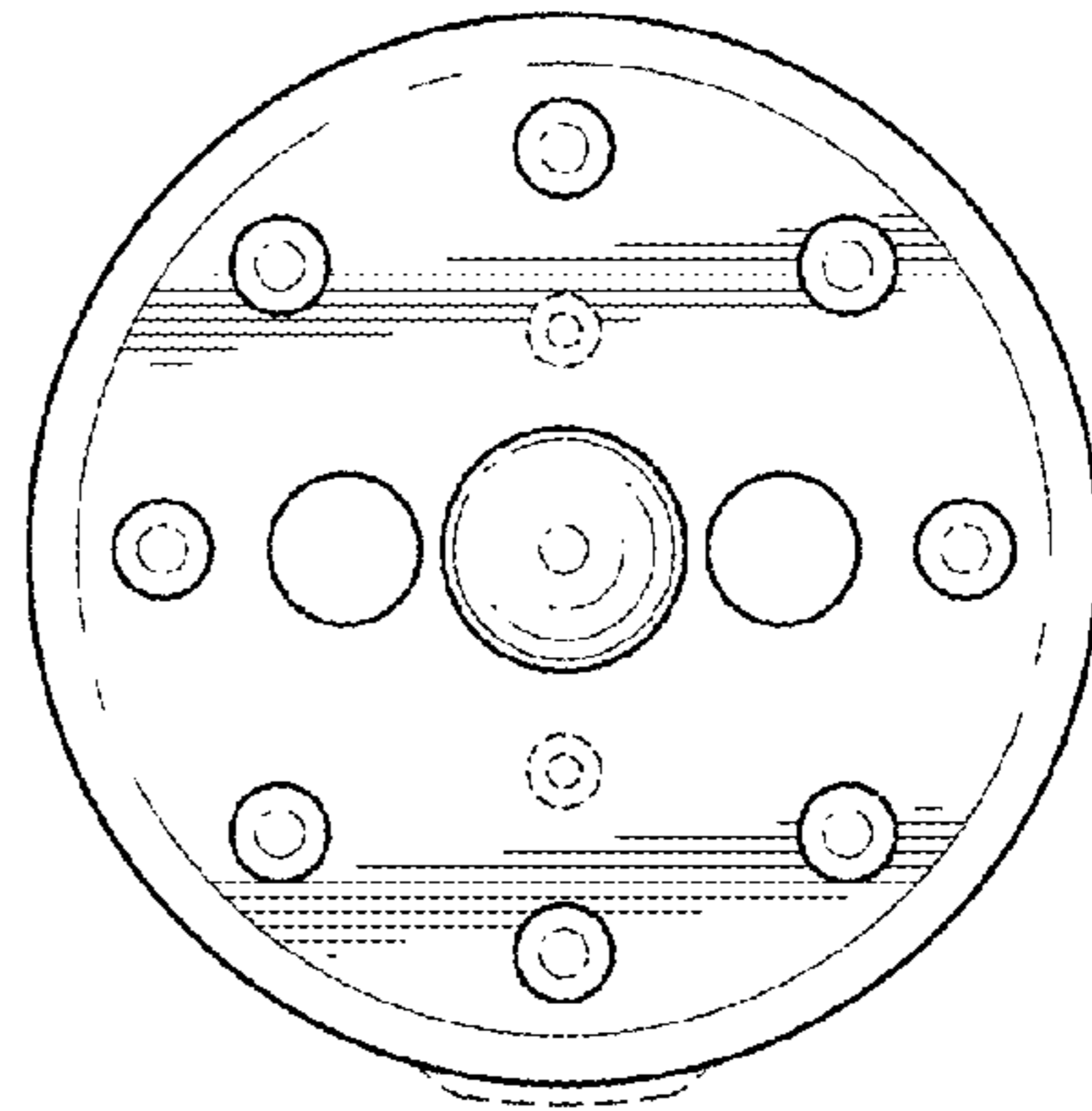


FIG. 9

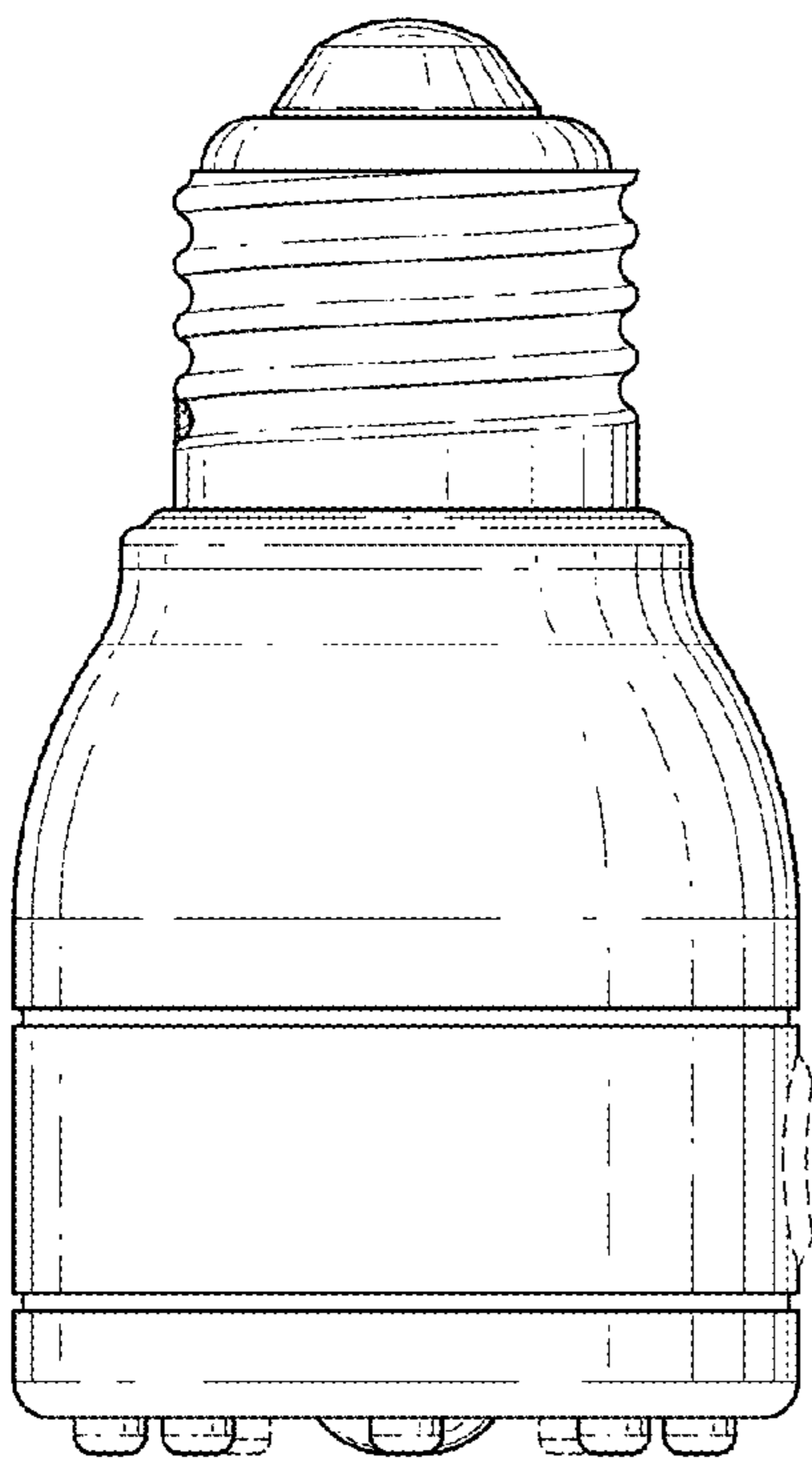


FIG. 8

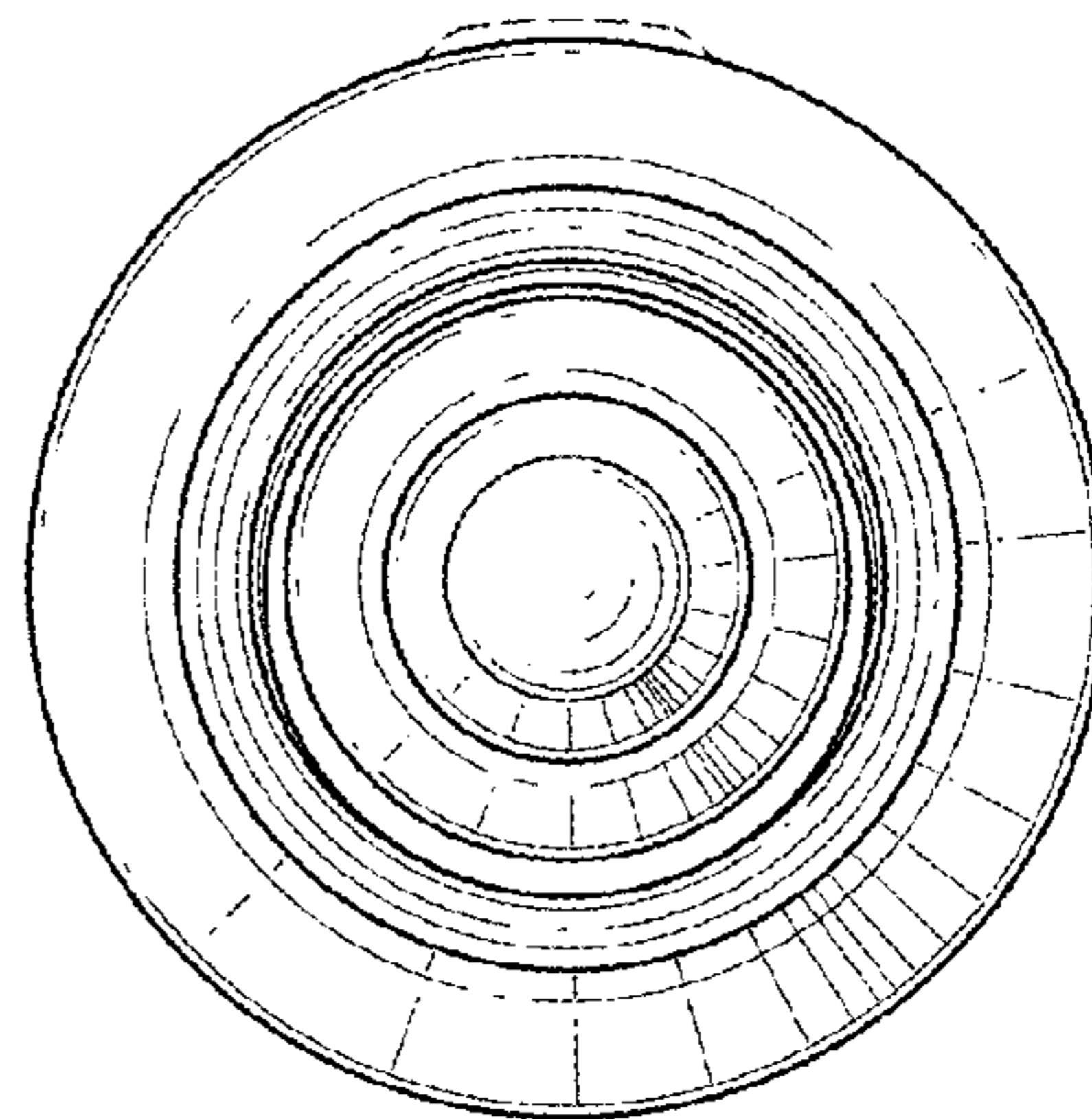


FIG. 10