



US00D740871S

(12) **United States Design Patent**
Moon et al.

(10) **Patent No.:** **US D740,871 S**
(45) **Date of Patent:** **** Oct. 13, 2015**

(54) **SURVEILLANCE CAMERA**

(56) **References Cited**

(71) Applicant: **HANWHA TECHWIN CO., LTD.**,
Changwon (KR)

U.S. PATENT DOCUMENTS

(72) Inventors: **Mi Jung Moon**, Changwon-si (KR);
Hyun Kyu Park, Changwon-si (KR);
Ho Jin Park, Changwon-si (KR)

D396,869	S	*	8/1998	Yamakawa et al.	D16/202
D505,146	S	*	5/2005	Ou	D16/203
D575,316	S		8/2008	Liu et al.		
7,690,851	B2	*	4/2010	Yamane et al.	348/373
D624,108	S	*	9/2010	Wang et al.	D16/219
D649,573	S	*	11/2011	Al	D16/203
D651,633	S	*	1/2012	Park et al.	D16/203
D680,151	S	*	4/2013	Katori	D16/242
D697,119	S	*	1/2014	Park et al.	D16/203

(73) Assignee: **Hanwha Techwin Co., Ltd.**,
Changwon-si (KR)

FOREIGN PATENT DOCUMENTS

(**) Term: **14 Years**

JP	D1240903	S	5/2005
KR	30-0252326	S	2/2000
KR	30-0615444	S	10/2011

(21) Appl. No.: **29/484,434**

* cited by examiner

(22) Filed: **Mar. 10, 2014**

Primary Examiner — Adir Aronovich
(74) *Attorney, Agent, or Firm* — Sughrue Mion, PLLC

(30) **Foreign Application Priority Data**

(57) **CLAIM**

Oct. 16, 2013 (KR) 30-2013-0052280

The ornamental design of a surveillance camera, as shown and described.

(51) **LOC (10) Cl.** **16-01**

DESCRIPTION

(52) **U.S. Cl.**

FIG. 1 is a front perspective view of the surveillance camera showing our new design;
FIG. 2 is a front elevational view of the surveillance camera;
FIG. 3 is a rear elevational view of the surveillance camera;
FIG. 4 is a left side elevational view of the surveillance camera;
FIG. 5 is a right side elevational view of the surveillance camera;
FIG. 6 is a top plan view of the surveillance camera; and,
FIG. 7 is a bottom view of the surveillance camera.

USPC **D16/203**

(58) **Field of Classification Search**

USPC D16/200, 202, 203, 208, 218, 242;
348/373–376; 396/419, 427, 535–541
CPC G03B 17/00; G03B 17/02; G08B 13/1963;
G08B 13/19619; H04N 5/2251; H04N 5/2252;
H04N 7/181; H04N 7/183

See application file for complete search history.

1 Claim, 7 Drawing Sheets

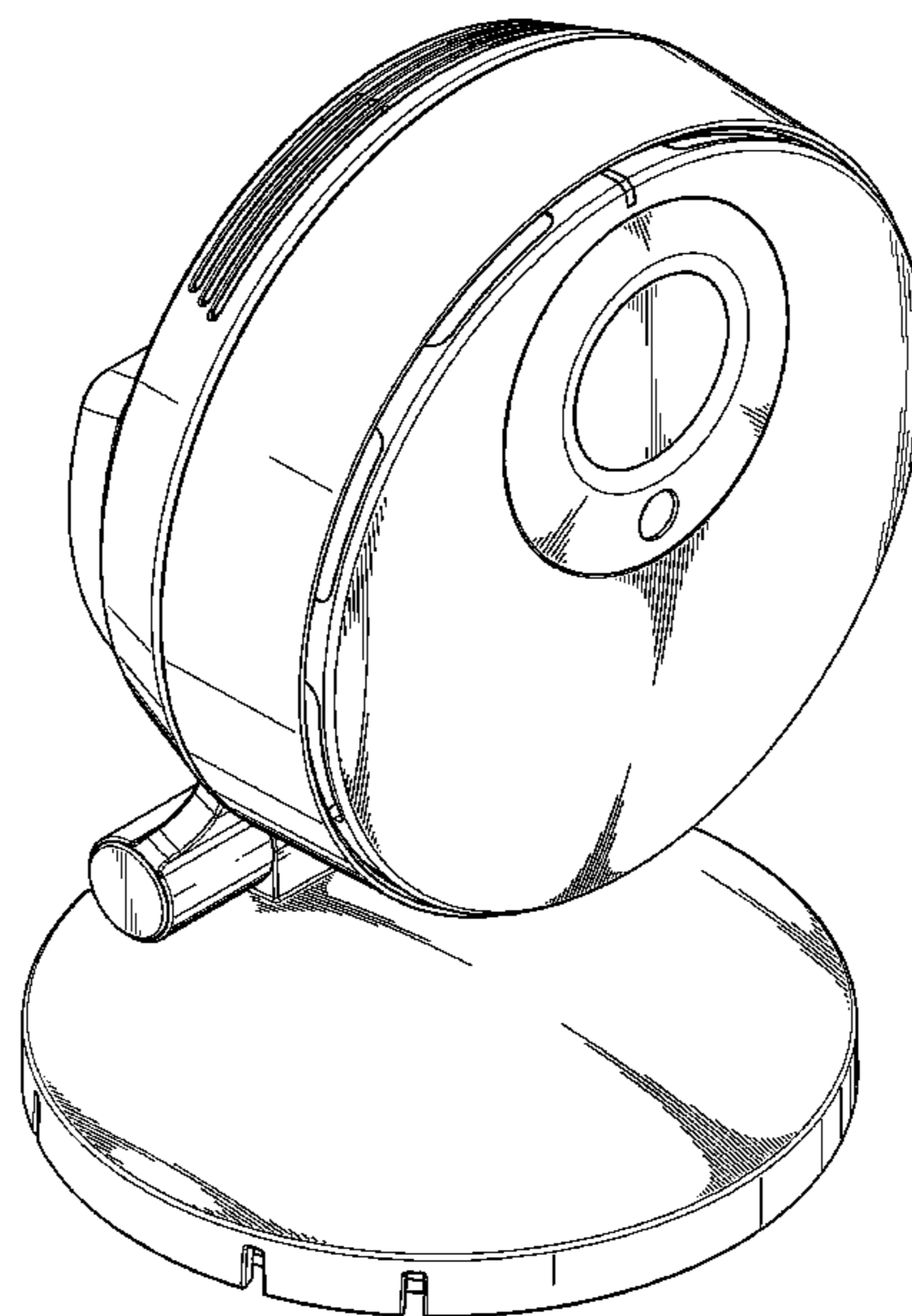


FIG. 1

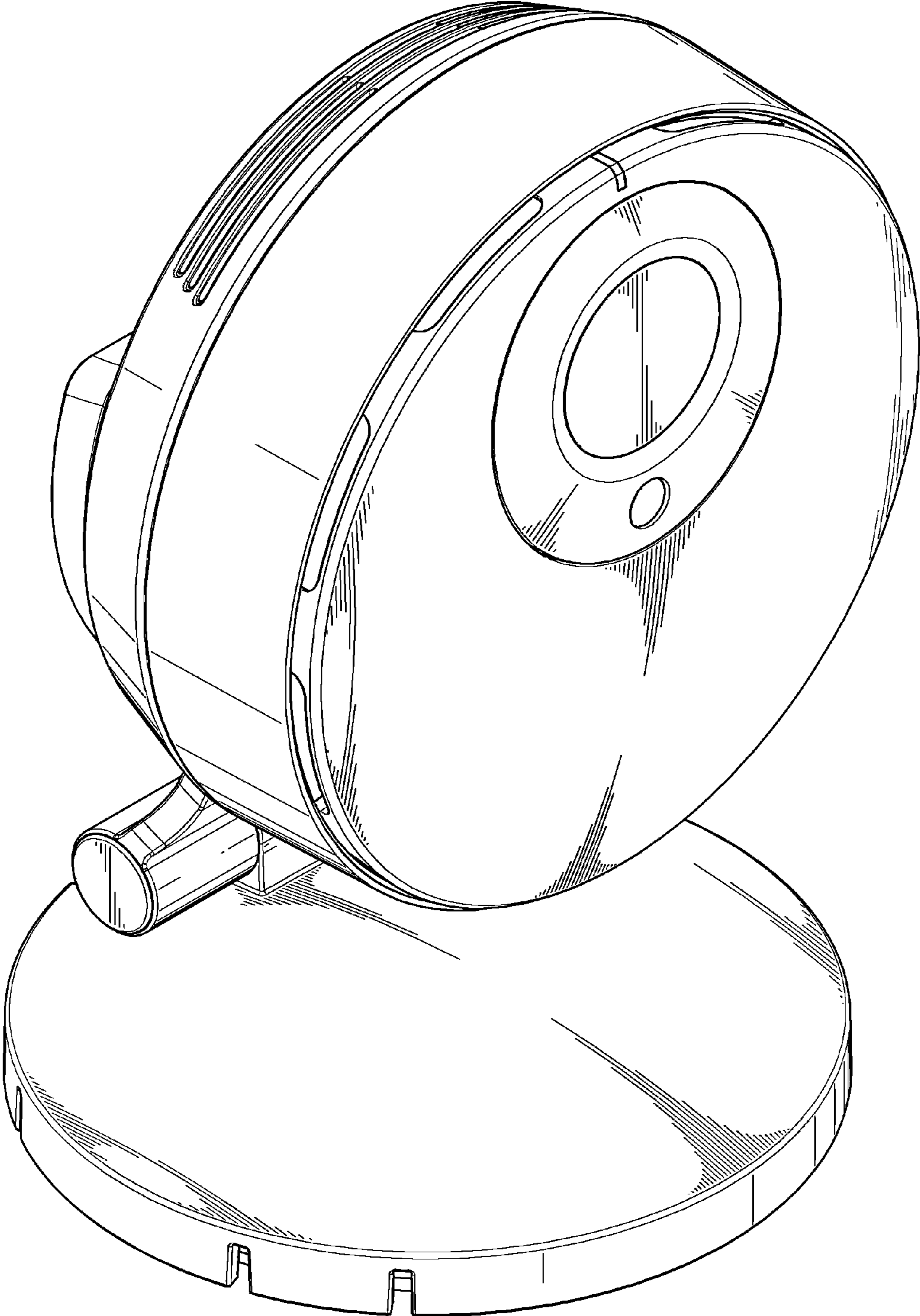


FIG. 2

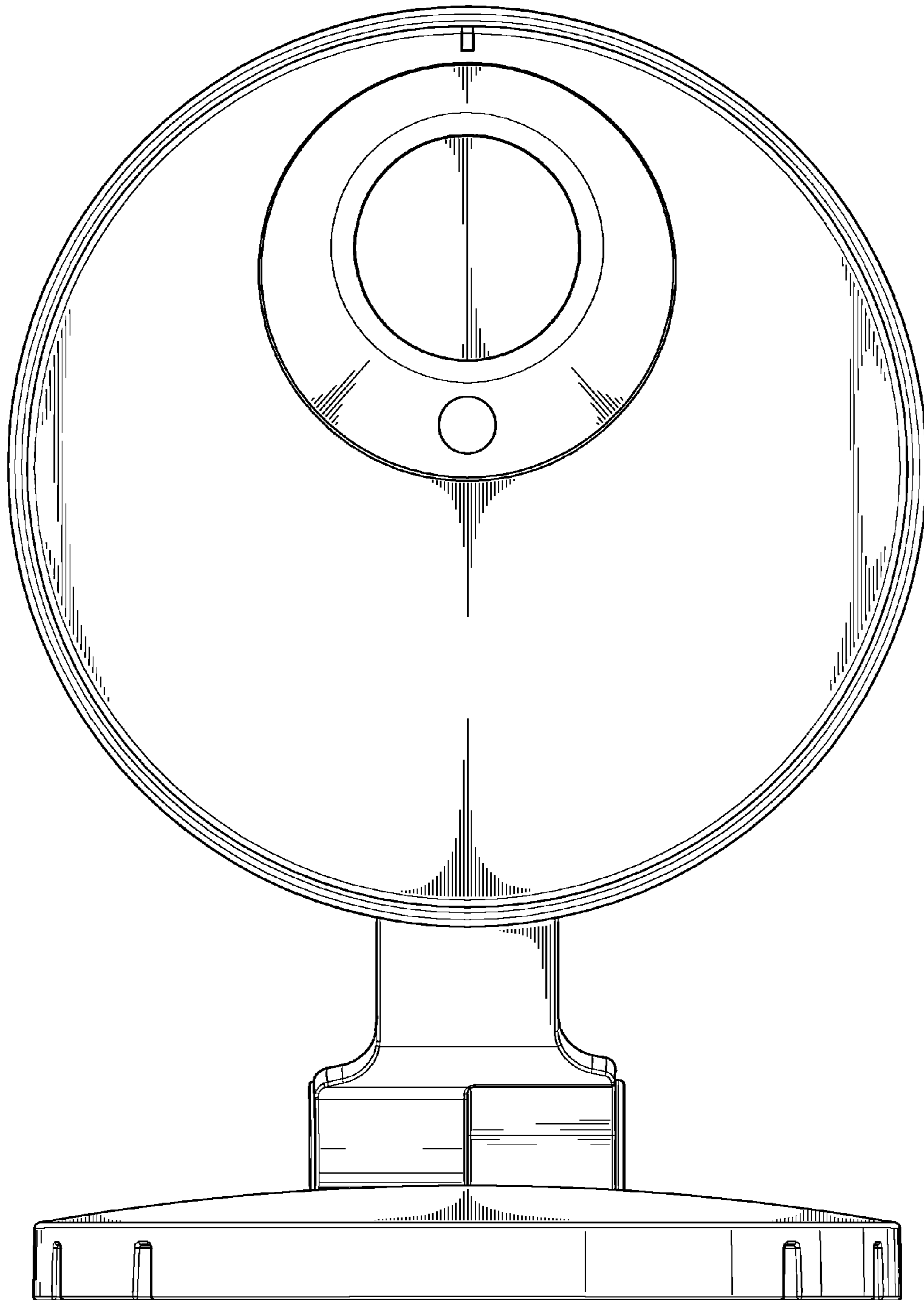


FIG. 3

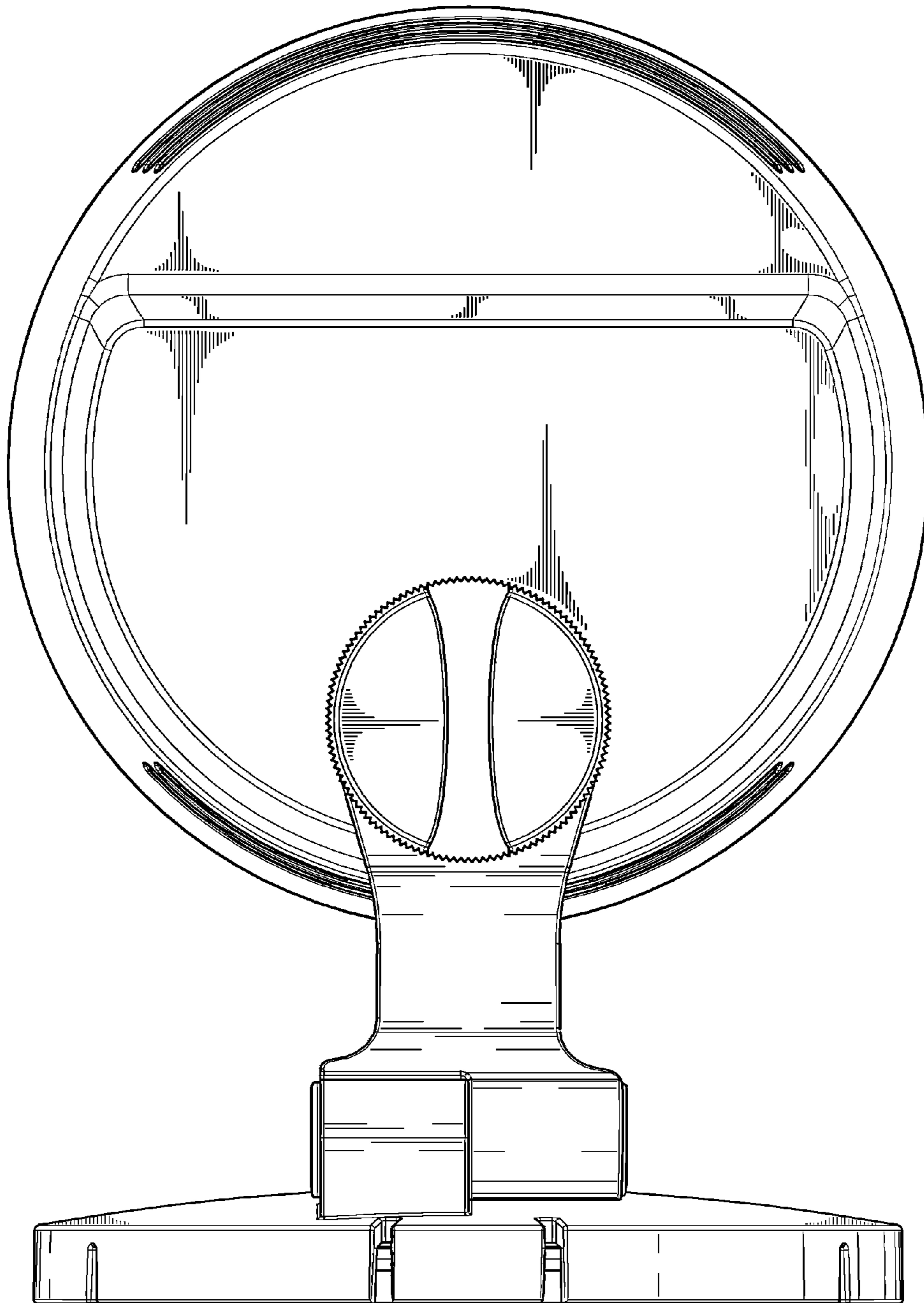


FIG. 4

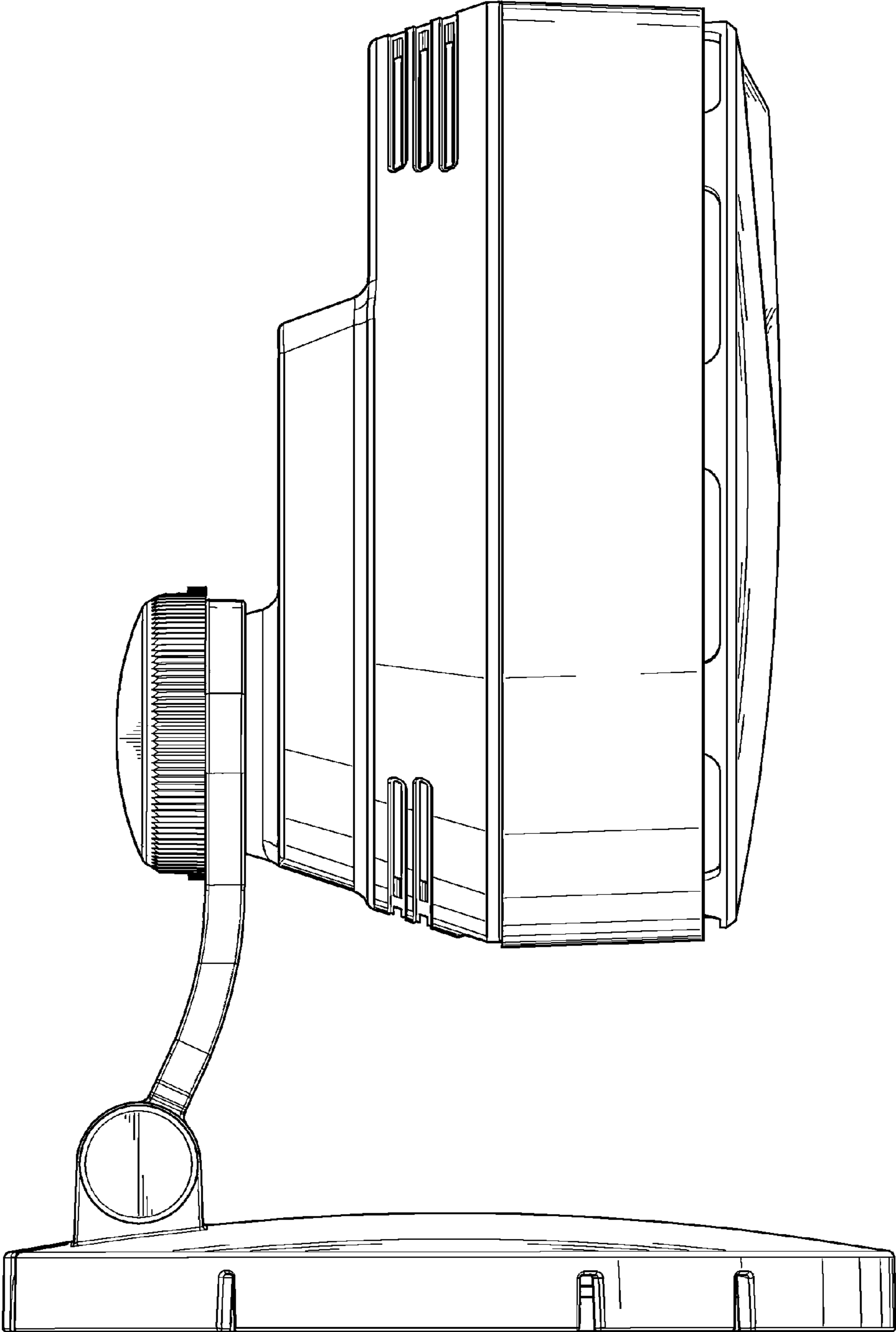


FIG. 5

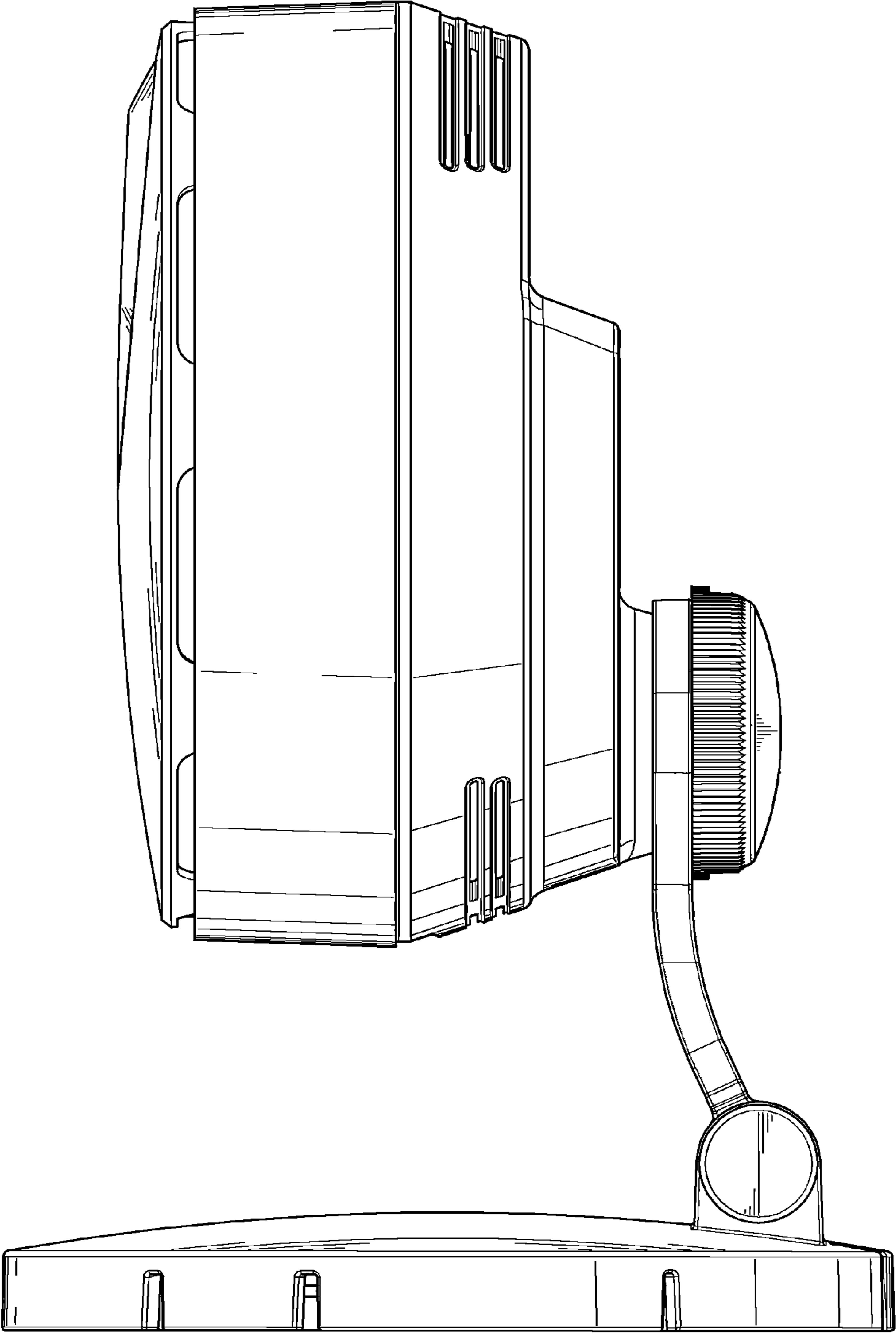


FIG. 6

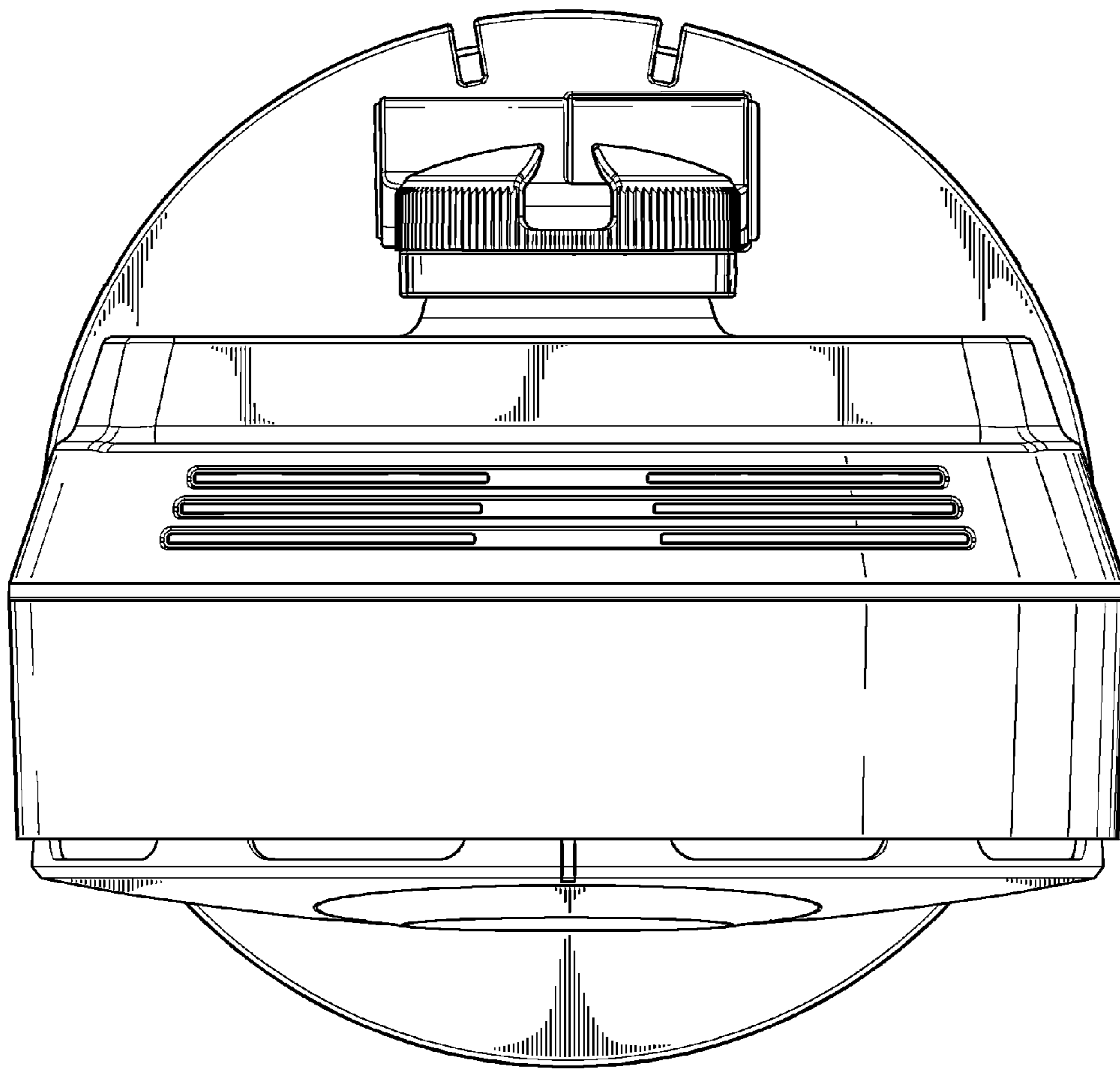


FIG. 7

