



US00D740869S

(12) **United States Design Patent**
Kim et al.

(10) **Patent No.:** **US D740,869 S**

(45) **Date of Patent:** **** Oct. 13, 2015**

(54) **CAMERA**

(71) Applicant: **Samsung Electronics Co., Ltd.**,
Suwon-si, Gyeonggi-do (KR)

(72) Inventors: **Joo-Hyung Kim**, Busan (KR);
Jin-Young Park, Incheon (KR);
Byung-Wook Chin, Seoul (KR)

(73) Assignee: **Samsung Electronics Co., Ltd.**,
Suwon-Si (KR)

(**) Term: **14 Years**

(21) Appl. No.: **29/492,808**

(22) Filed: **Jun. 3, 2014**

(30) **Foreign Application Priority Data**

Dec. 3, 2013 (KR) 30-2013-0060837

(51) **LOC (10) Cl.** **16-01**

(52) **U.S. Cl.**
USPC **D16/202**

(58) **Field of Classification Search**
USPC D16/200, 202–206, 208, 209, 211, 212,
D16/218, 219; 348/373–376; 358/909.1;
396/535, 539–541
CPC G03B 15/03; G03B 17/02; G03B 17/04;
G03B 17/56; G03B 19/04; H04N 5/2251;
H04N 5/2252; H04N 5/2253; H04N 5/2254;
H04N 2101/00

See application file for complete search history.

(56) **References Cited**

U.S. PATENT DOCUMENTS

D614,220	S	*	4/2010	Goldenberg	D16/200
D624,107	S	*	9/2010	Goldenberg	D16/211
D634,765	S	*	3/2011	Noh et al.	D16/202
D636,423	S	*	4/2011	Ogino et al.	D16/202
D682,334	S	*	5/2013	InShik et al.	D16/202
D689,109	S	*	9/2013	Kim et al.	D16/202
D700,924	S	*	3/2014	Sasaki	D16/202
D717,852	S	*	11/2014	Kim et al.	D16/202
D726,236	S	*	4/2015	Kim	D16/218
D726,237	S	*	4/2015	Kim	D16/218
D727,394	S	*	4/2015	Kim	D16/219
2007/0212062	A1	*	9/2007	Saiki et al.	396/535
2011/0242409	A1	*	10/2011	Hsieh et al.	348/374

* cited by examiner

Primary Examiner — Philip S Hyder

Assistant Examiner — Ramzi Almatrahi

(74) *Attorney, Agent, or Firm* — Ladas & Parry LLP

(57) **CLAIM**

The ornamental design for a camera, as shown and described.

DESCRIPTION

FIG. 1 is a front perspective view of a camera showing our new design;

FIG. 2 is a front view thereof;

FIG. 3 is a rear view thereof;

FIG. 4 is a left side view thereof;

FIG. 5 is a right side view thereof;

FIG. 6 is a top view thereof;

FIG. 7 is a bottom view thereof; and,

FIG. 8 is a front perspective view of the camera shown in an alternate configuration.

The broken lines depict portions of the camera in which the design is embodied that form no part of the claimed design.

1 Claim, 5 Drawing Sheets

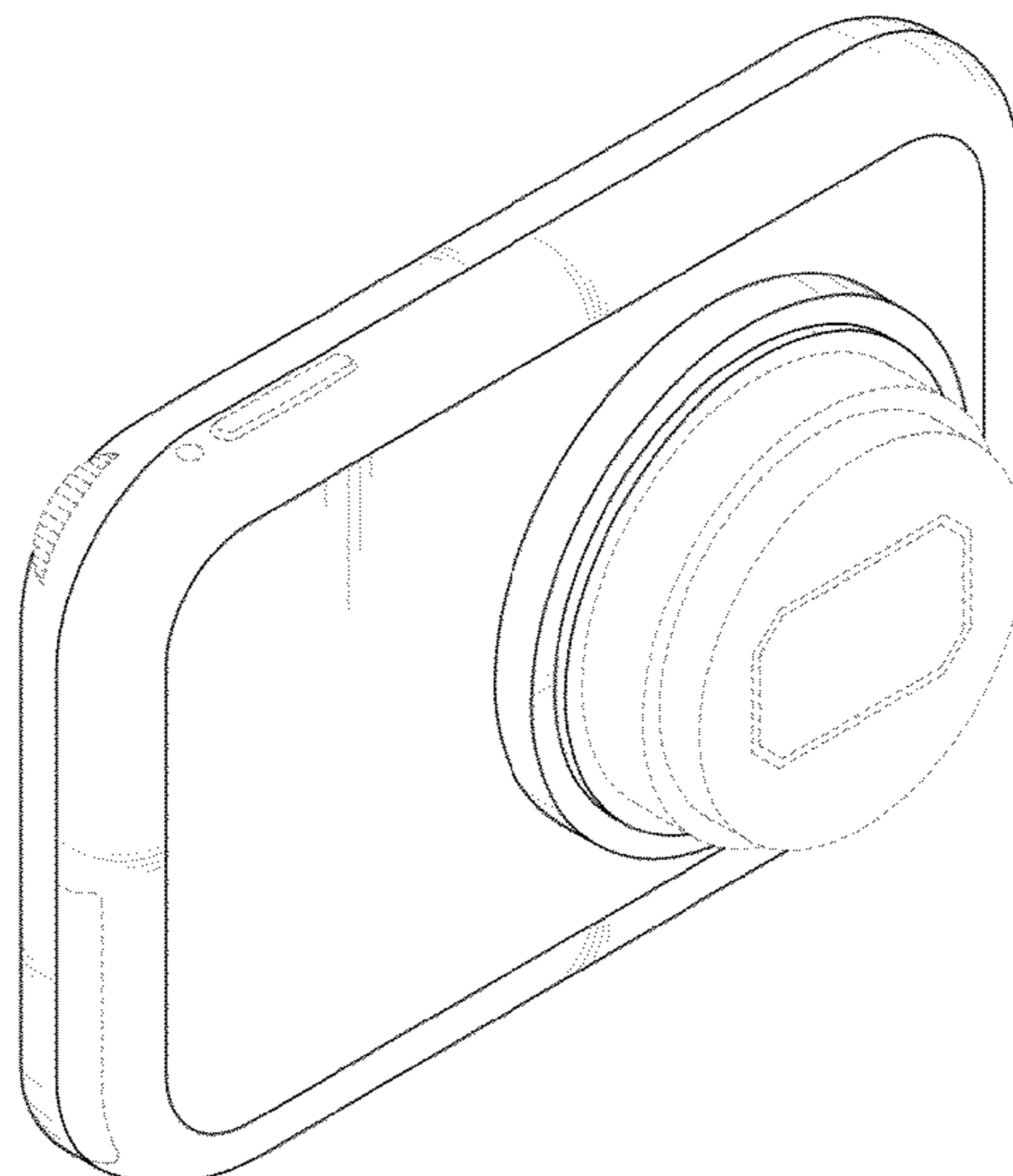
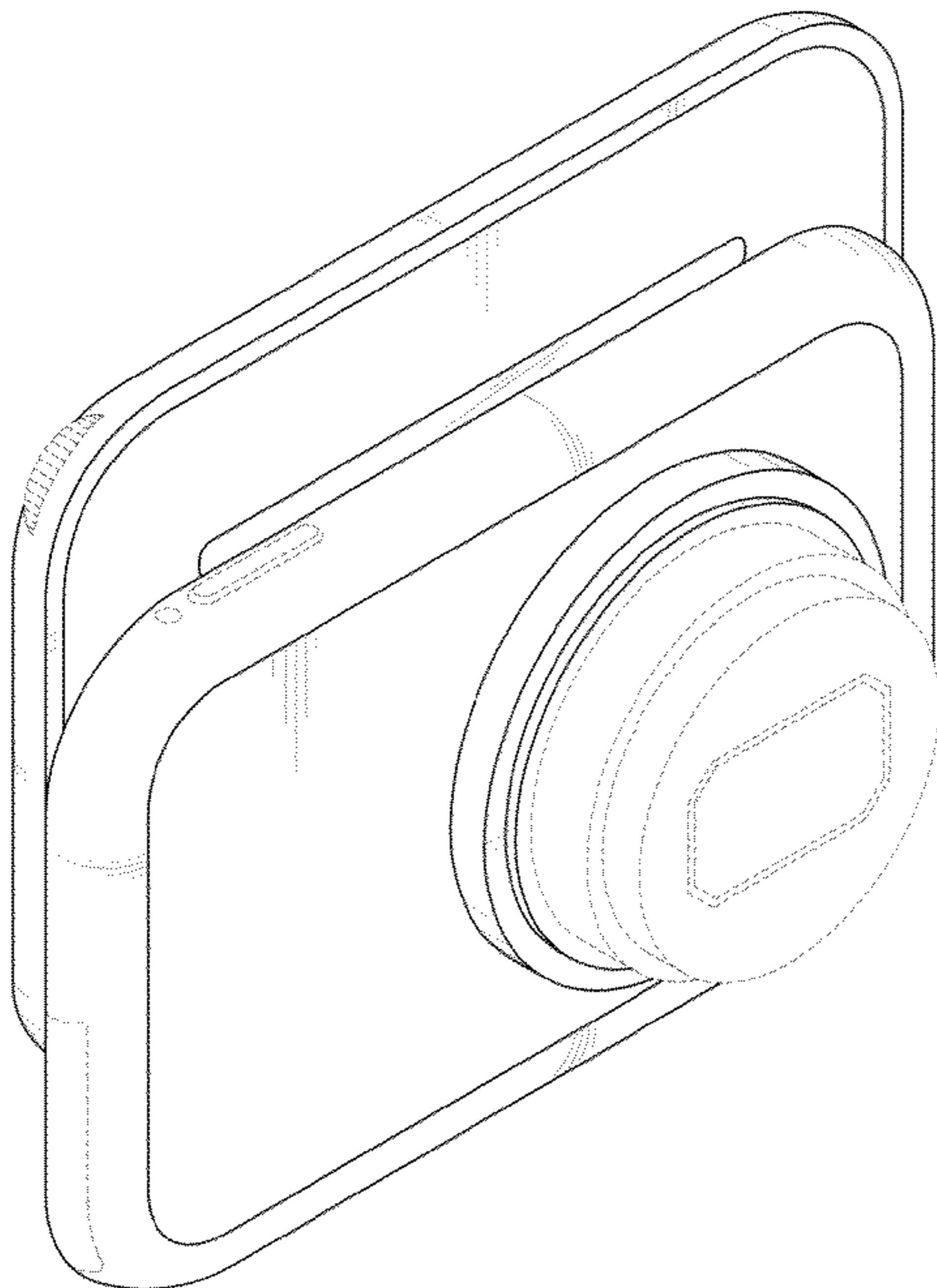


FIG. 1

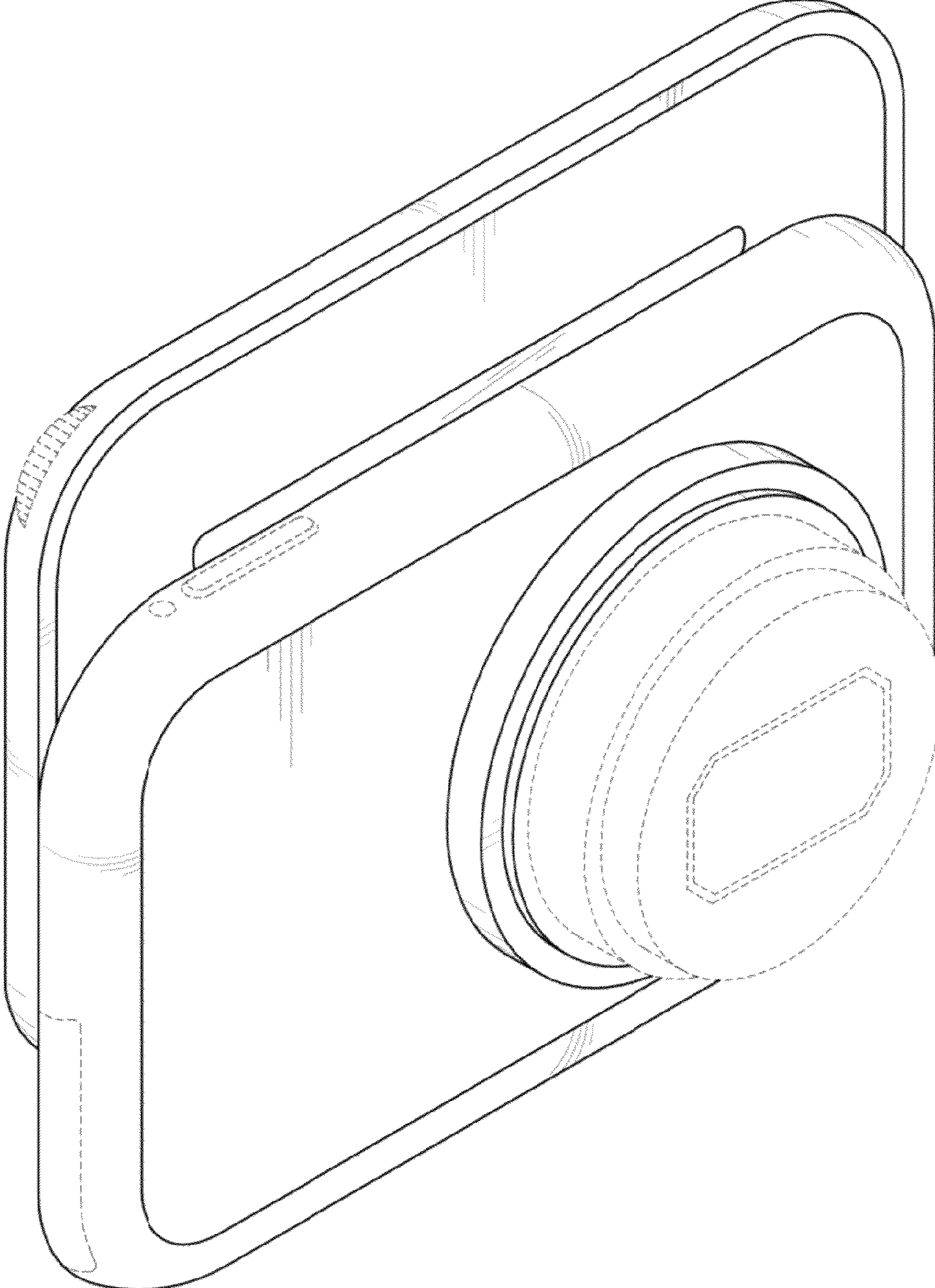


FIG. 2

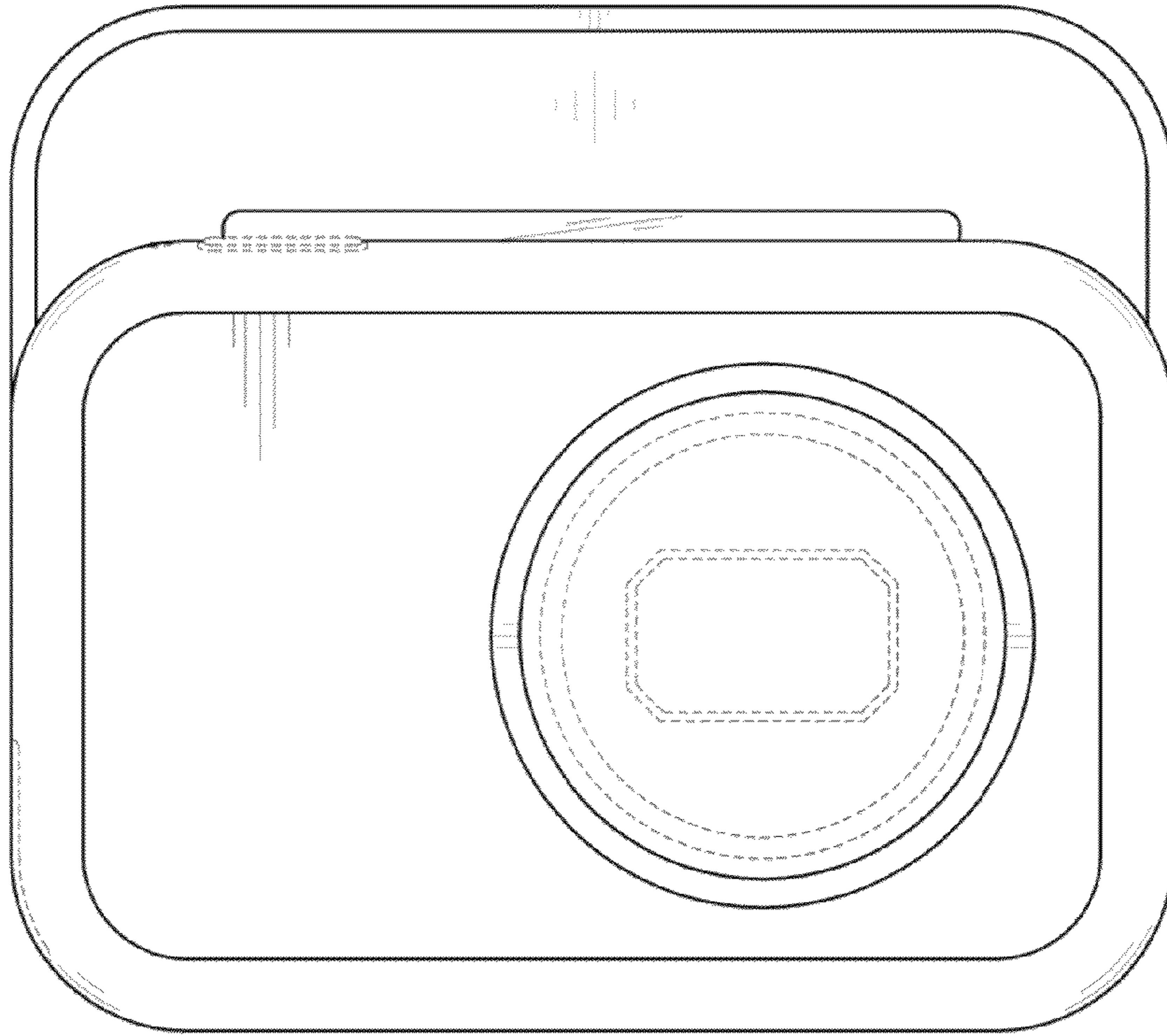


FIG. 3

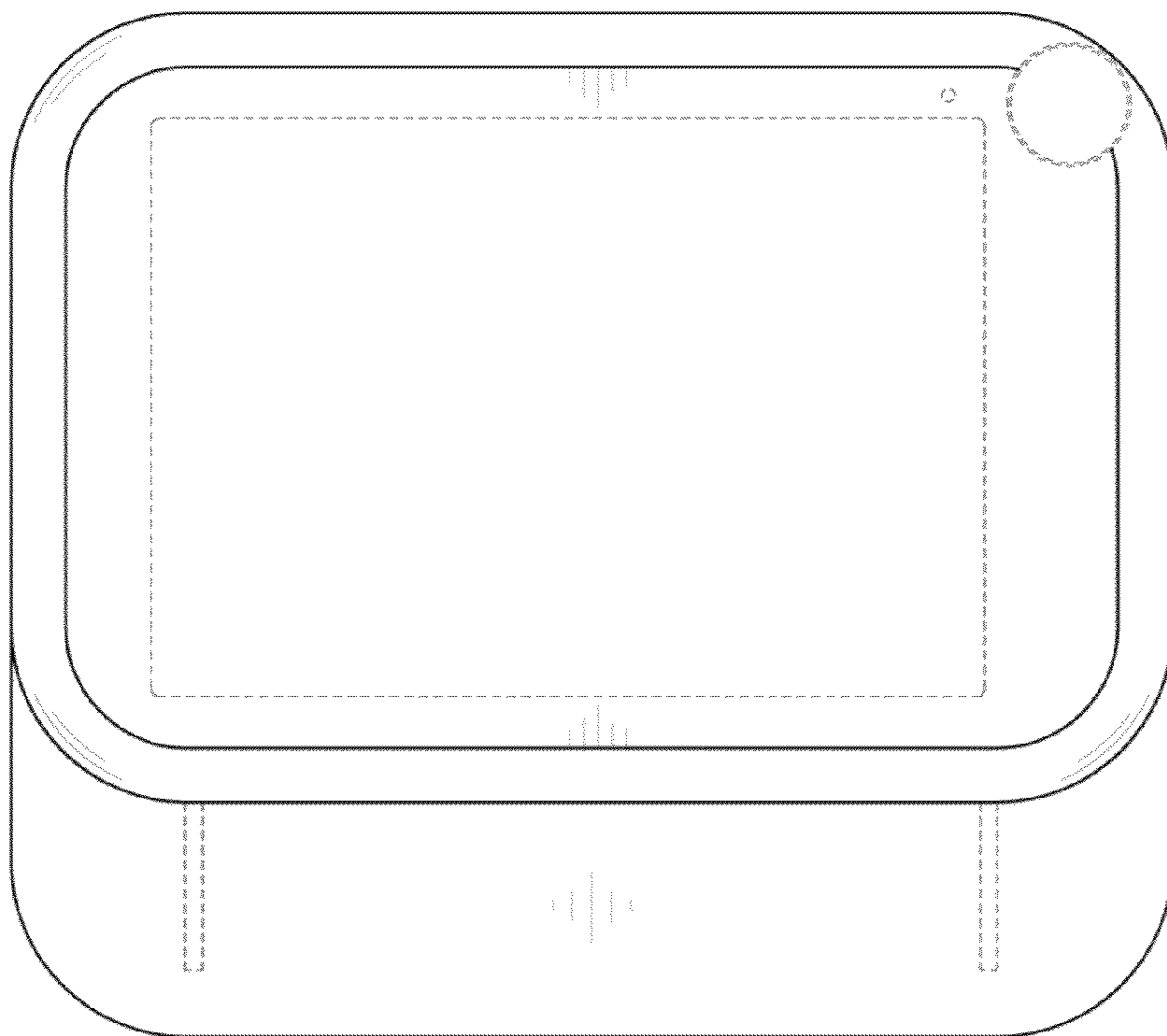


FIG. 4

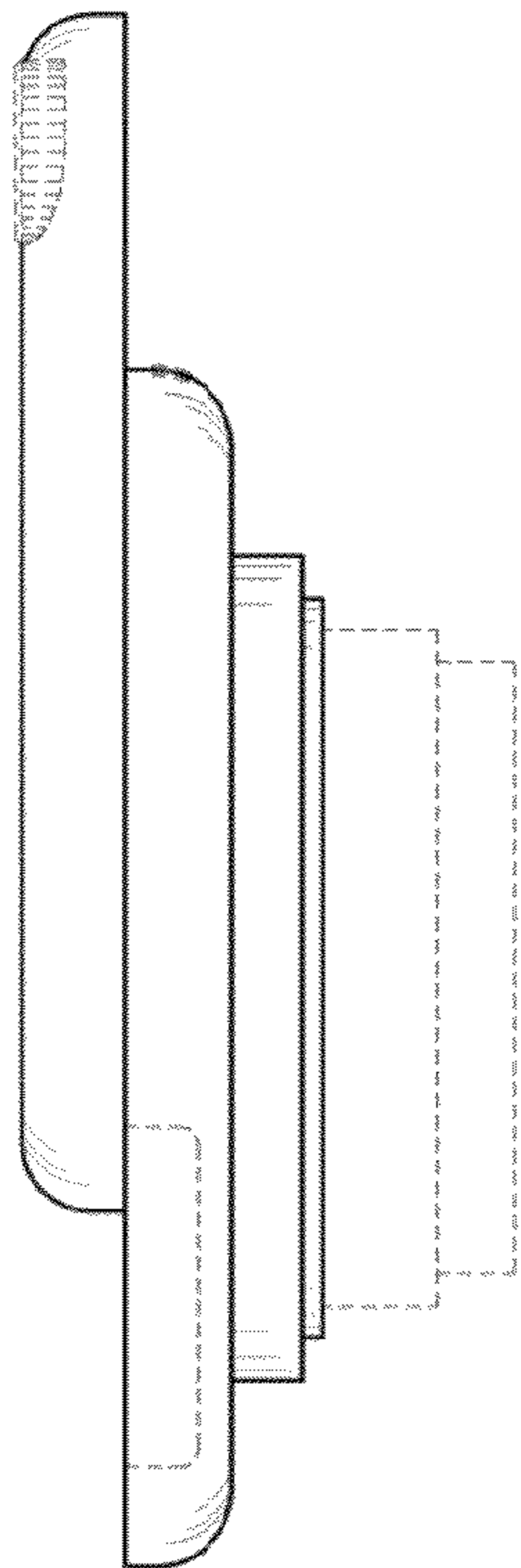


FIG. 5

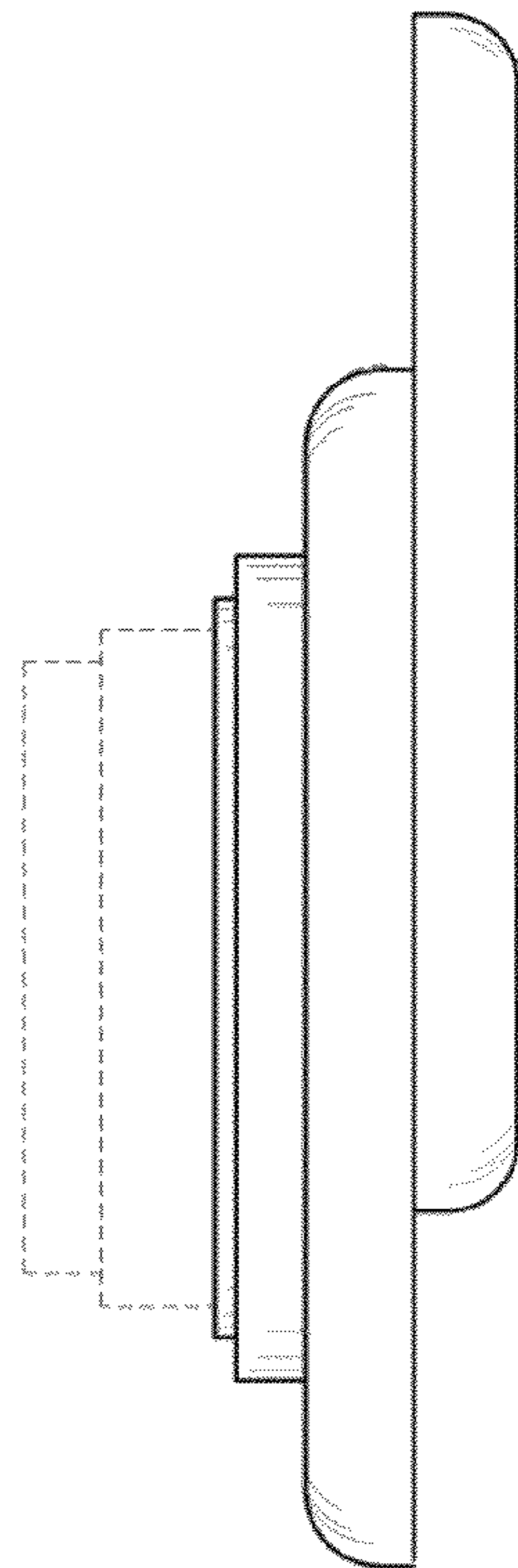


FIG. 6

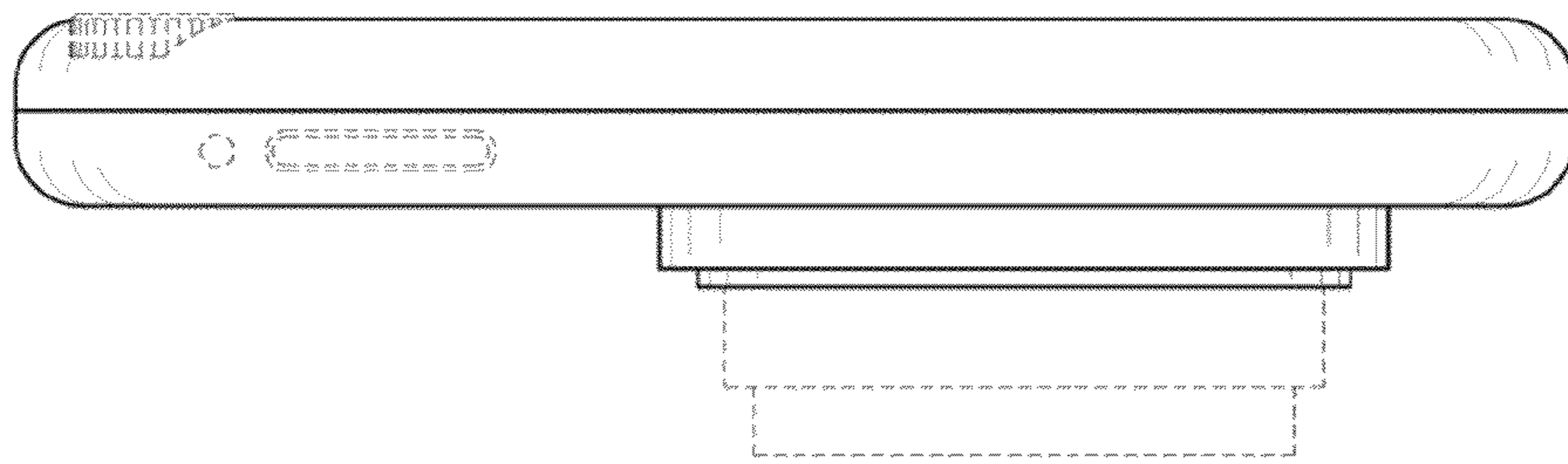


FIG. 7

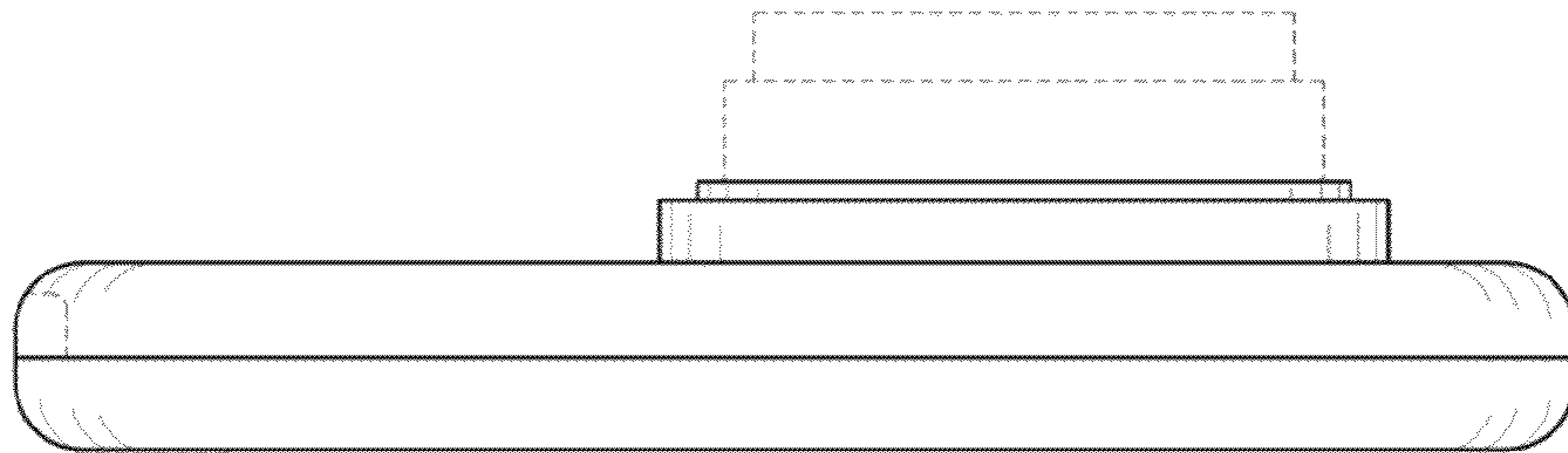


FIG. 8

