



US00D740868S

(12) **United States Design Patent**
Gioscia et al.

(10) **Patent No.:** **US D740,868 S**
(45) **Date of Patent:** **** Oct. 13, 2015**

- (54) **CAMERA HOUSING**
- (71) Applicant: **GoPro, Inc.**, San Mateo, CA (US)
- (72) Inventors: **Richard Gioscia**, Santa Clara, CA (US);
Seungheon Lee, Cupertino, CA (US);
Derek Yap, San Carlos, CA (US); **Evan L. Coons**, San Mateo, CA (US); **Joshua P. Davies**, Fremont, CA (US)
- (73) Assignee: **GoPro, Inc.**, San Mateo, CA (US)
- (**) Term: **14 Years**
- (21) Appl. No.: **29/495,036**
- (22) Filed: **Jun. 26, 2014**

Related U.S. Application Data

- (63) Continuation of application No. 29/461,140, filed on Jul. 18, 2013, now Pat. No. Des. 710,921.
- (51) **LOC (10) Cl.** **16-01**
- (52) **U.S. Cl.**
USPC **D16/200**; D16/219
- (58) **Field of Classification Search**
USPC D3/267; D16/200, 202–204, 208, 211,
D16/218, 219, 242; 248/176.1, 187.1;
348/81, 373–376; 396/25, 27, 29, 419,
396/535, 539–541; 206/316.2
CPC G03B 15/03; G03B 17/02; G03B 17/04;
G03B 17/08; G03B 17/56; G03B 19/04;
H04N 5/2251; H04N 5/2252; H04N 5/2253;
H04N 5/2254; A45C 11/38
See application file for complete search history.

(56) **References Cited**

U.S. PATENT DOCUMENTS

- D321,704 S 11/1991 Leonard et al.
- D367,283 S 2/1996 Lyon et al.
- D419,296 S 1/2000 Shinano

- D453,177 S 1/2002 Uehara
- D550,742 S 9/2007 Ishii
- D616,479 S 5/2010 Ganahl, Jr.
- D621,432 S 8/2010 Yim
- 8,014,656 B2 9/2011 Woodman
- D646,313 S 10/2011 Woodman
- D647,554 S 10/2011 Yim
- D657,808 S 4/2012 Woodman
- D657,811 S 4/2012 Woodman
- D674,428 S 1/2013 Woodman
- D674,429 S 1/2013 Woodman
- D684,569 S * 6/2013 Willenborg D14/253
- 8,544,643 B2 10/2013 Yim
- 8,596,890 B2 12/2013 Yim et al.

(Continued)

Primary Examiner — Adir Aronovich
Assistant Examiner — Ramzi Almatrahi
(74) *Attorney, Agent, or Firm* — Fenwick & West LLP

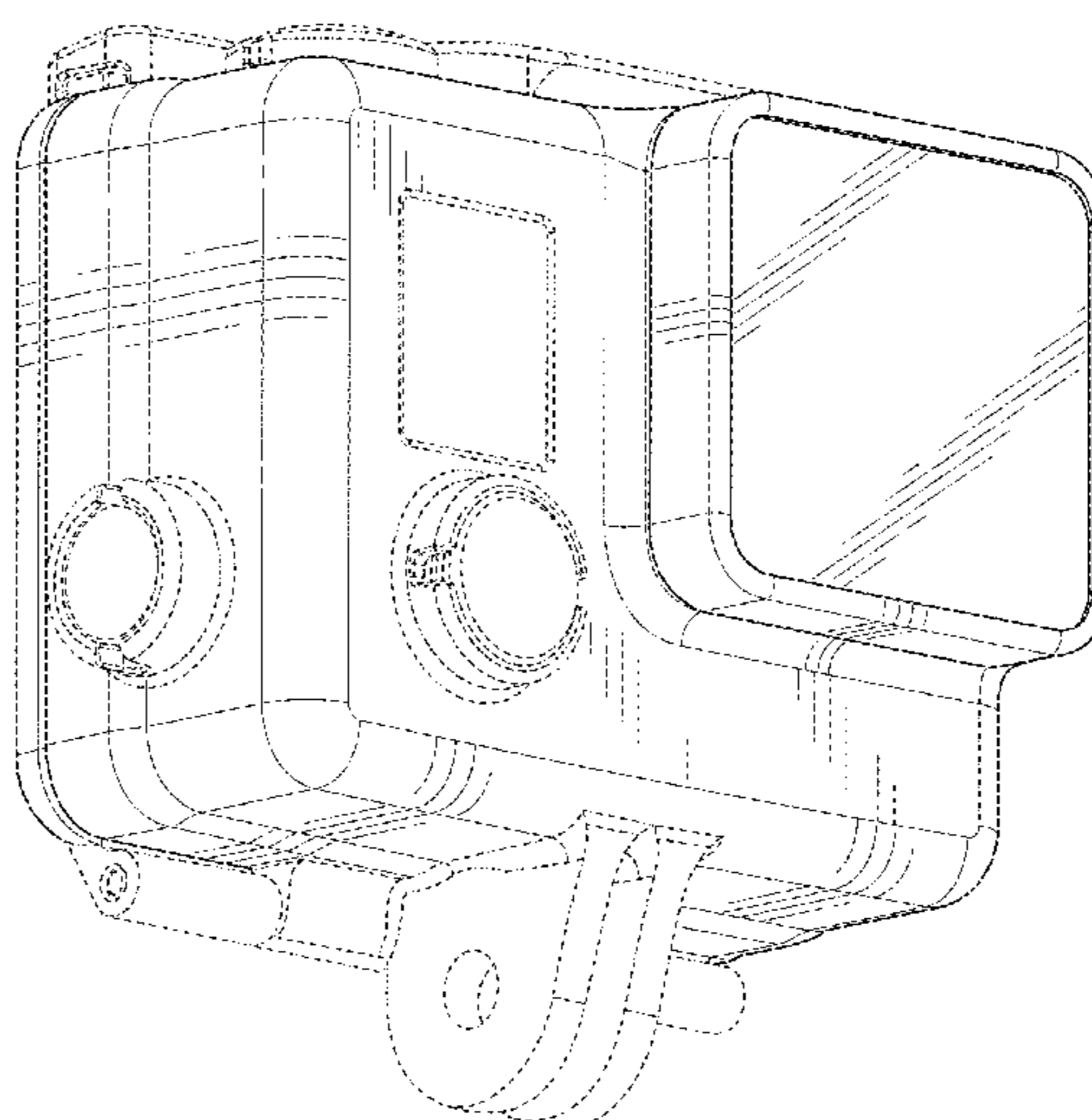
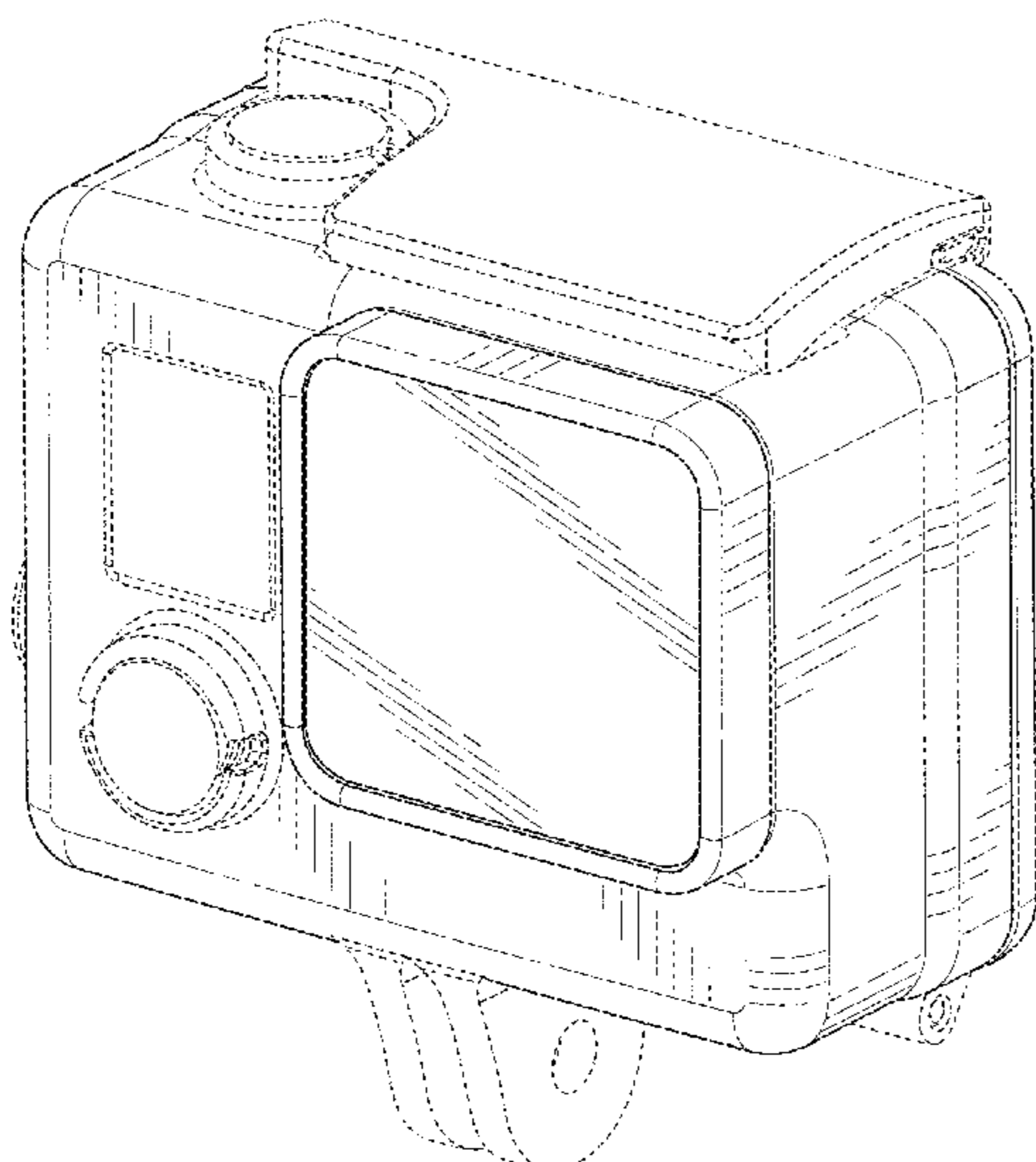
(57) **CLAIM**

The ornamental design for a camera housing, as shown and described.

DESCRIPTION

FIG. 1 is a front, top, and right side perspective view of a camera housing showing our new design;
FIG. 2 is a front, bottom and left side perspective view thereof;
FIG. 3 is a back, top and left side perspective view thereof;
FIG. 4 is a back, bottom and right side perspective view thereof;
FIG. 5 is a front elevational view thereof;
FIG. 6 is a back elevational view thereof;
FIG. 7 is a left side elevational view thereof;
FIG. 8 is a right side elevational view thereof;
FIG. 9 is a top plan view thereof; and,
FIG. 10 is a bottom plan view thereof.
The broken lines depict portions of a camera housing in which the design is embodied and form no part of the claimed design.

1 Claim, 10 Drawing Sheets



US D740,868 S

Page 2

(56)

References Cited

U.S. PATENT DOCUMENTS

D699,947 S 2/2014 To et al.
D700,778 S 3/2014 To et al.
D702,276 S 4/2014 Woodman

D702,277 S 4/2014 Woodman
D702,747 S 4/2014 Woodman et al.
D724,638 S * 3/2015 Samuels et al. D16/200
D725,169 S * 3/2015 Gioscia et al. D16/200

* cited by examiner

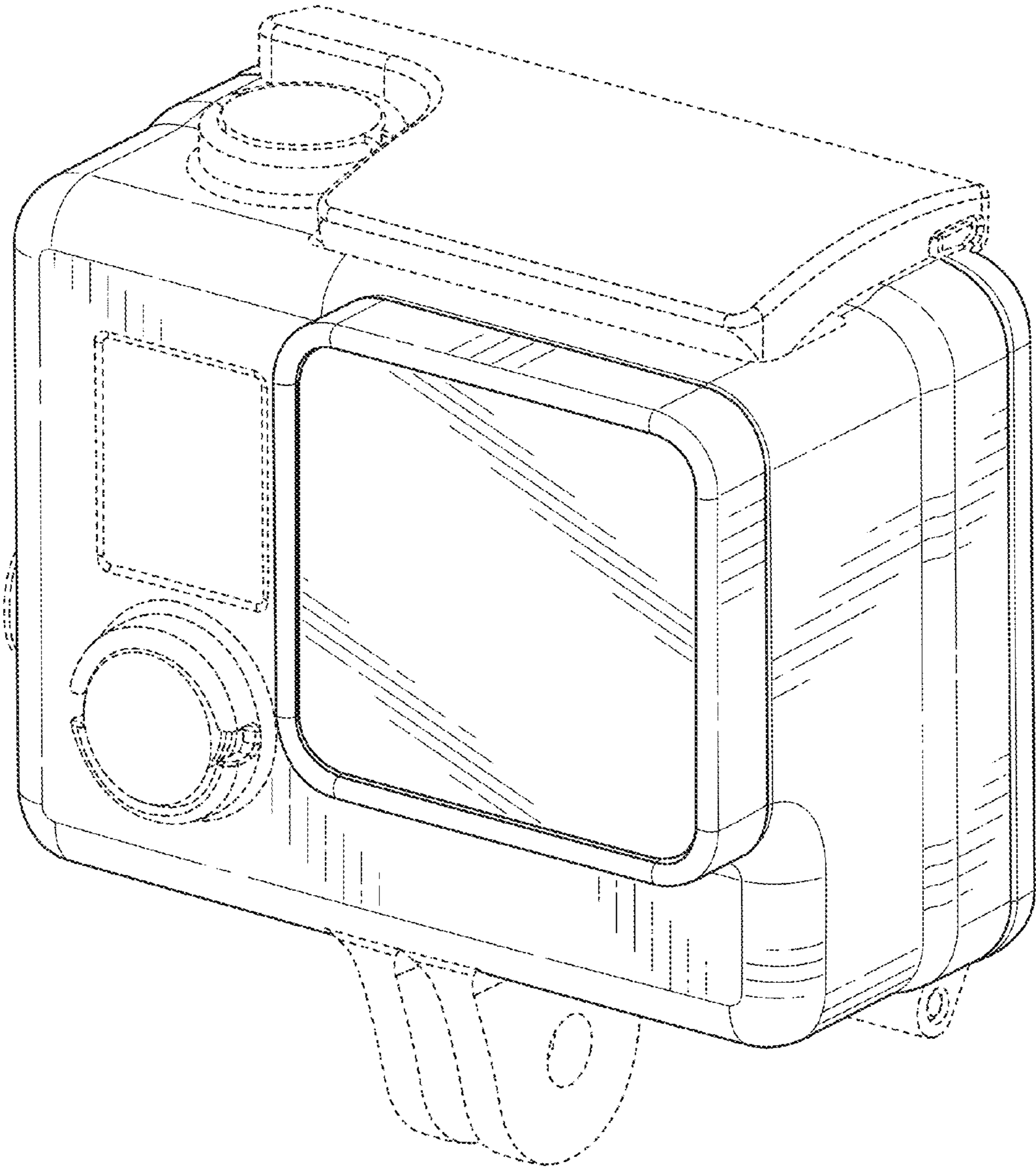


FIG. 1

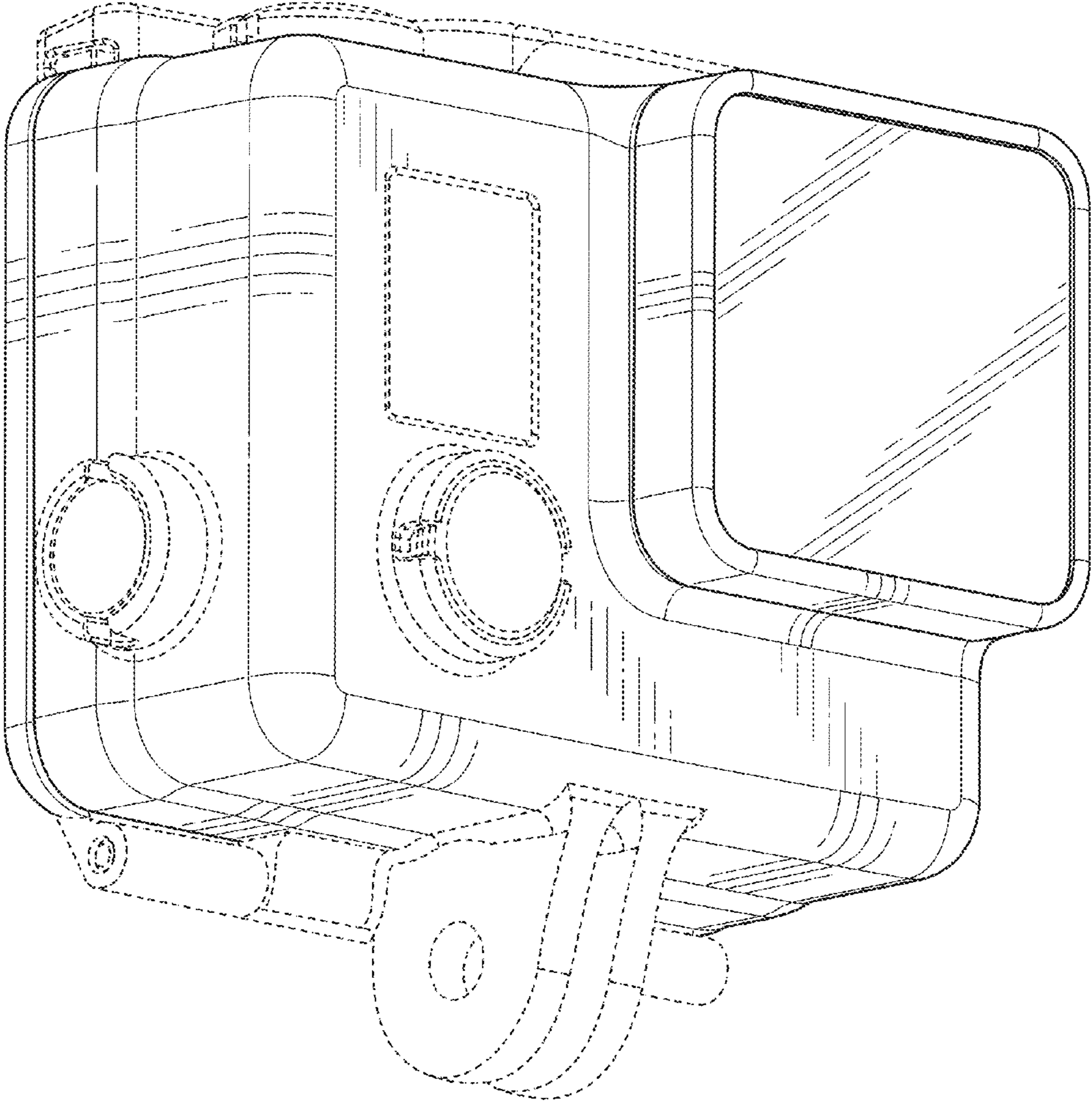


FIG. 2

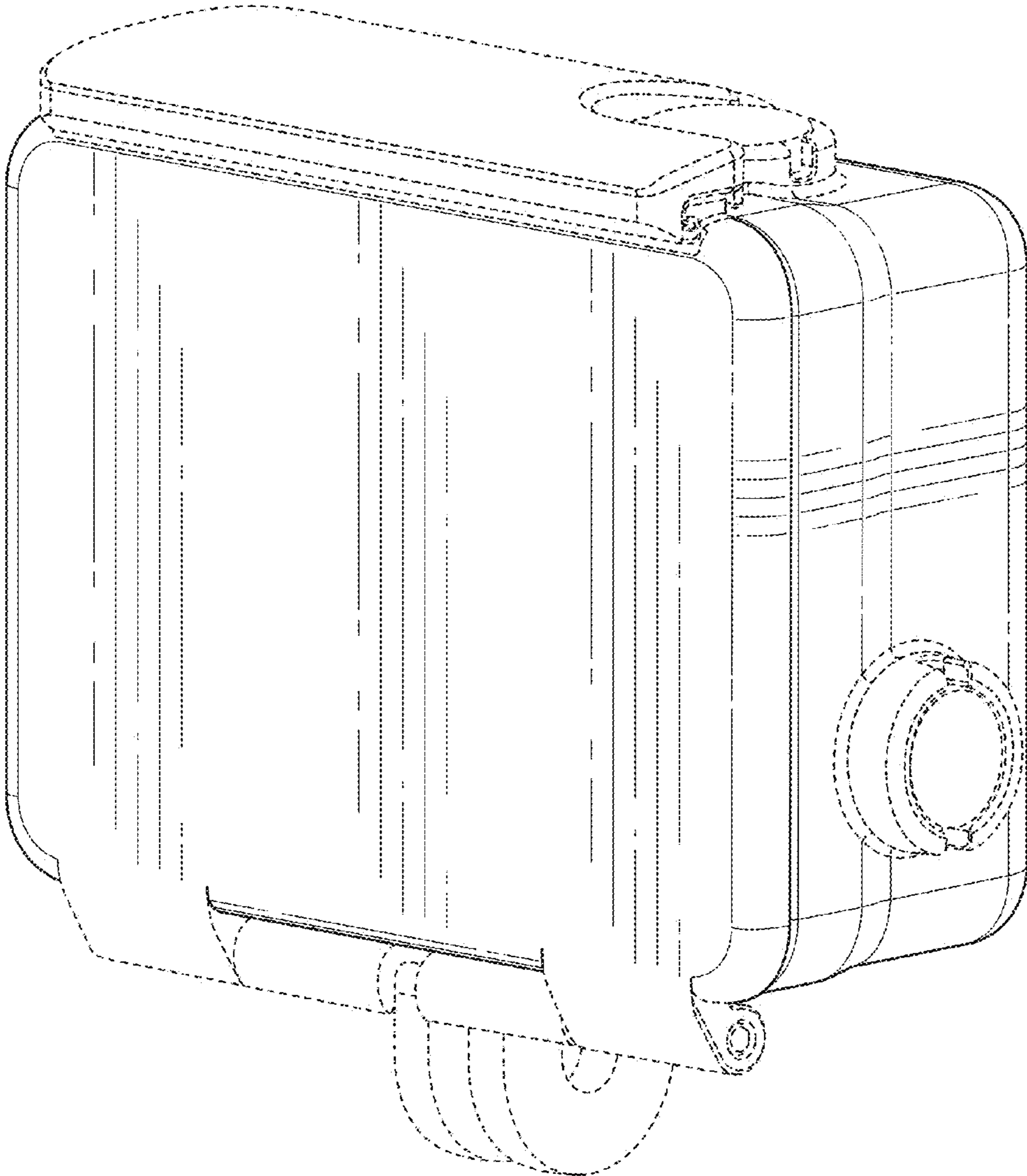


FIG. 3

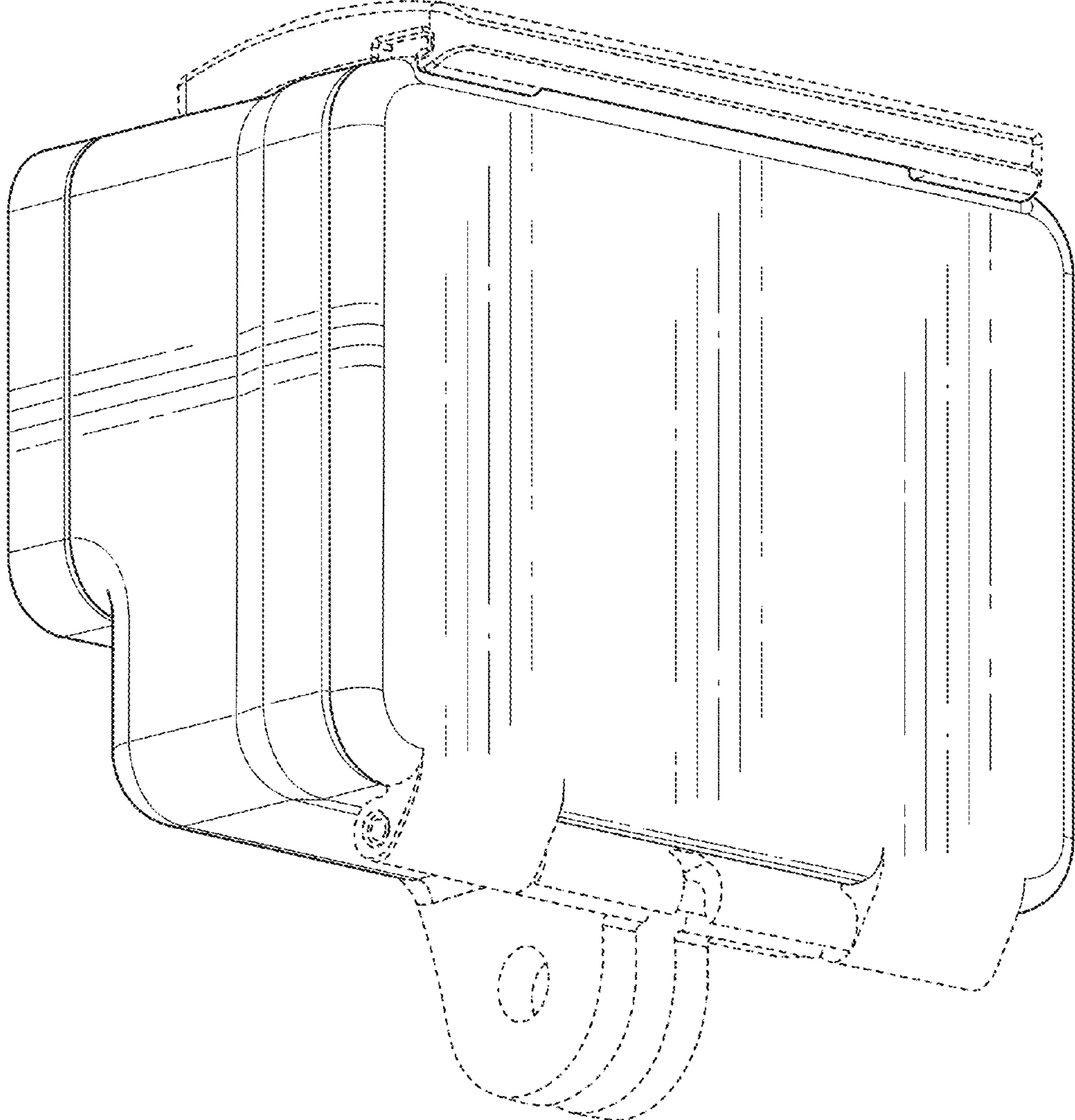


FIG. 4

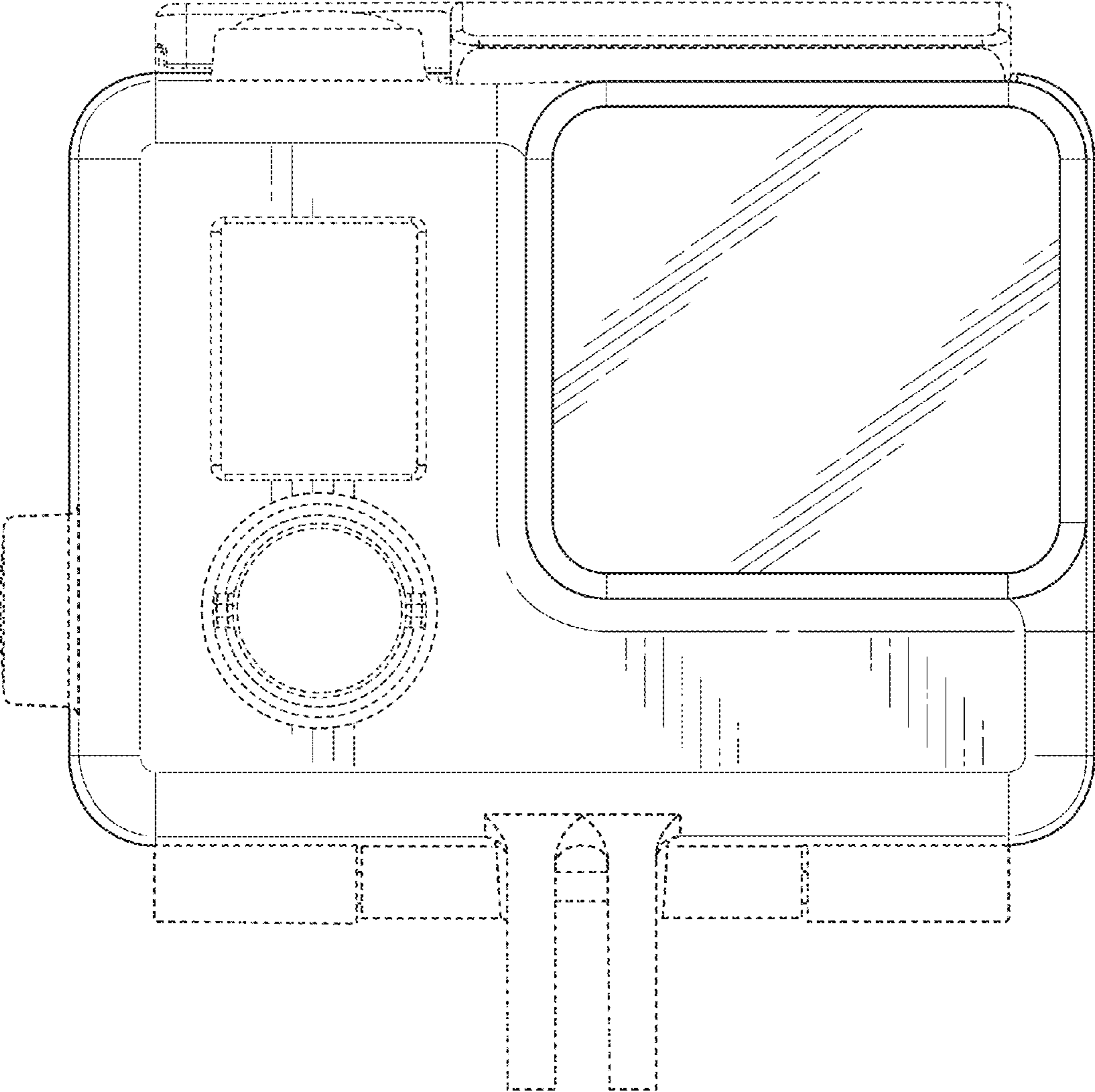


FIG. 5

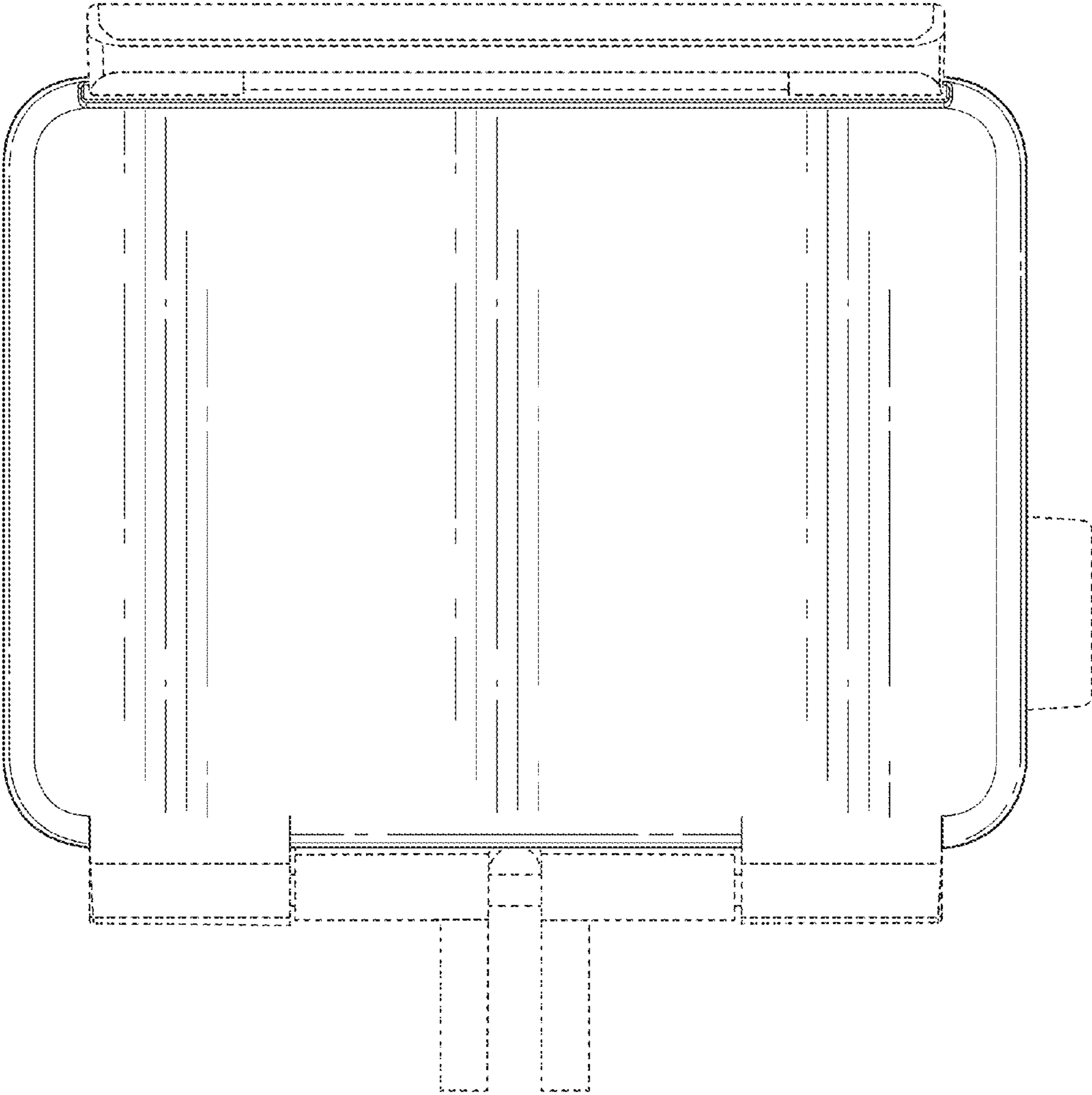


FIG. 6

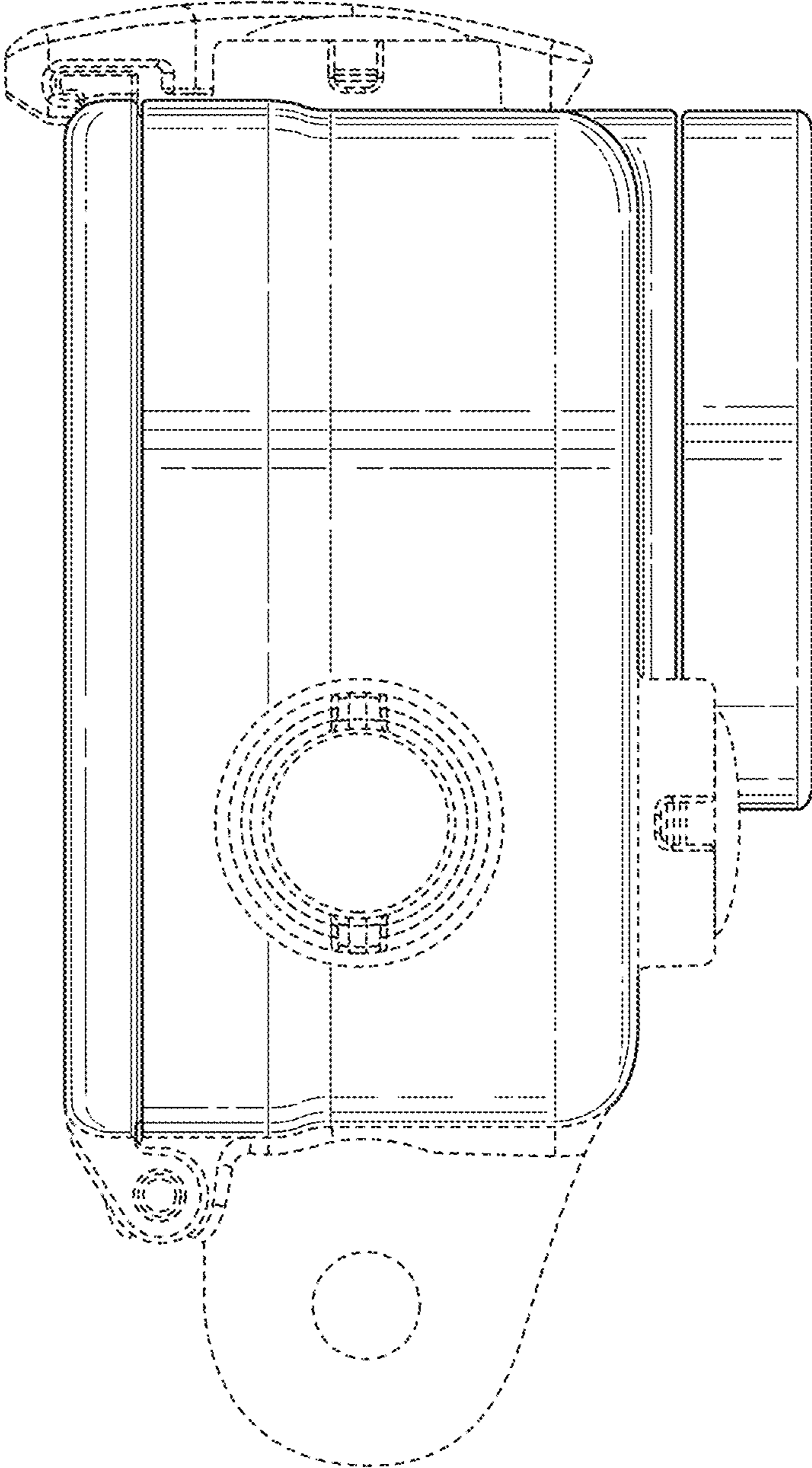


FIG. 7

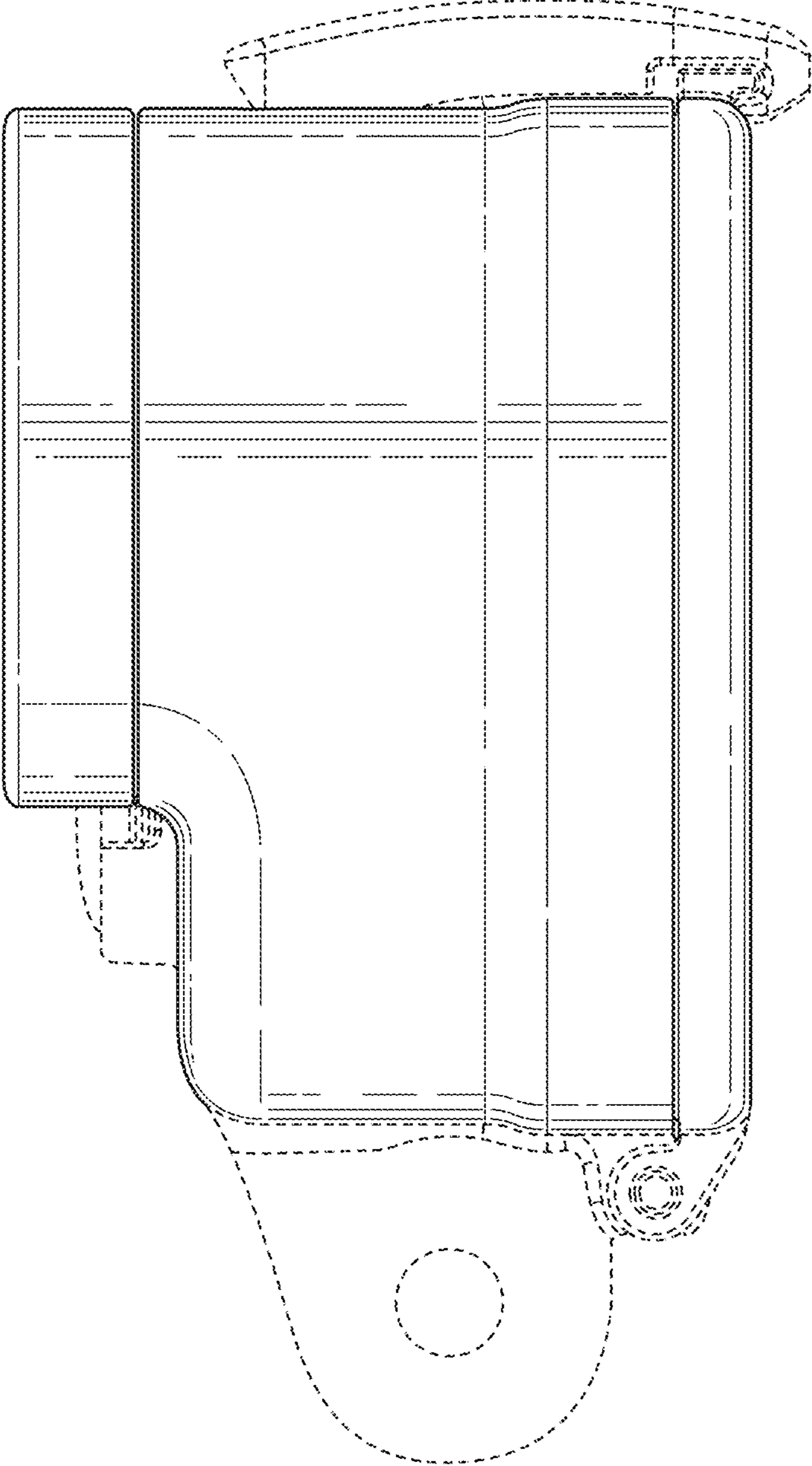


FIG. 8

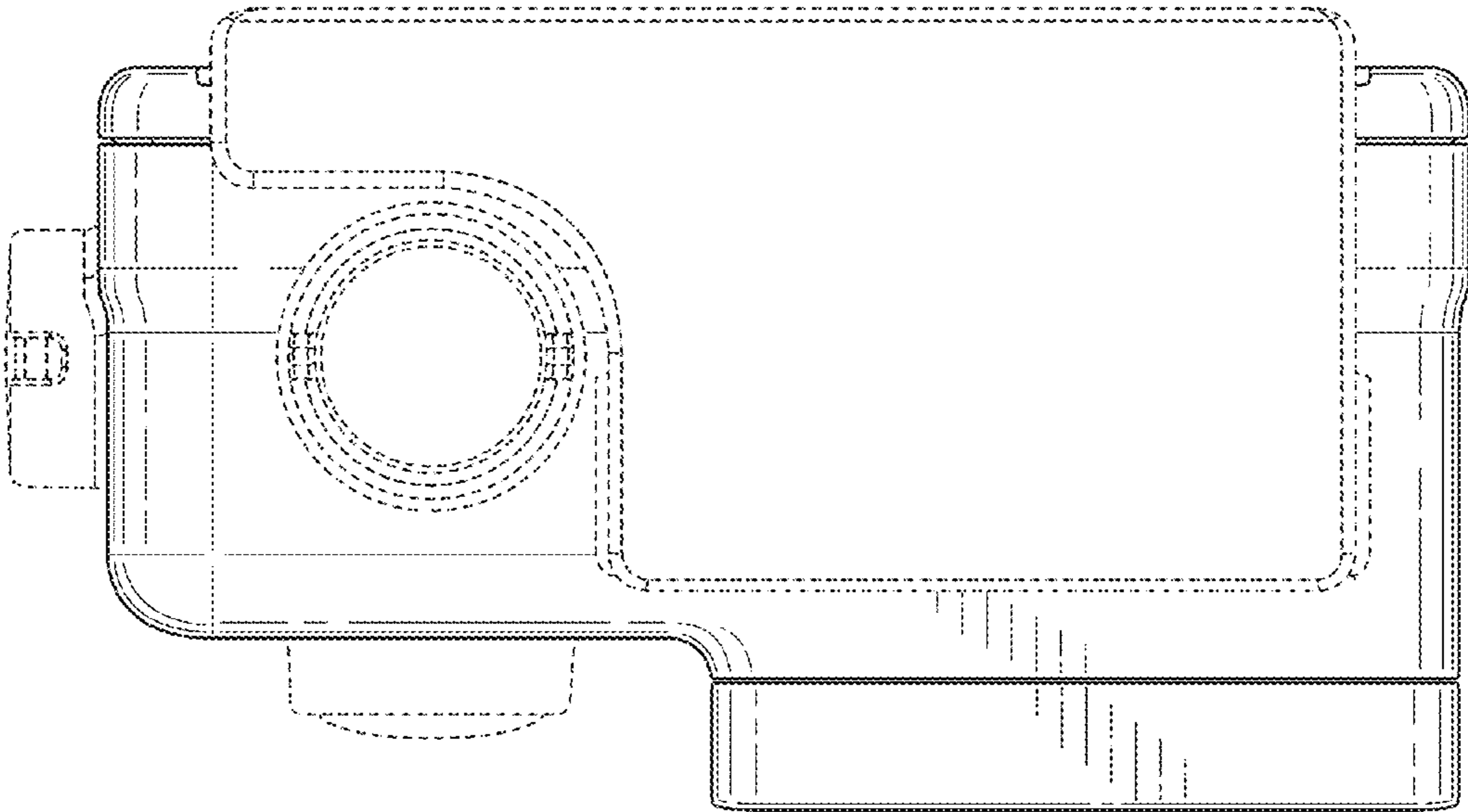


FIG. 9

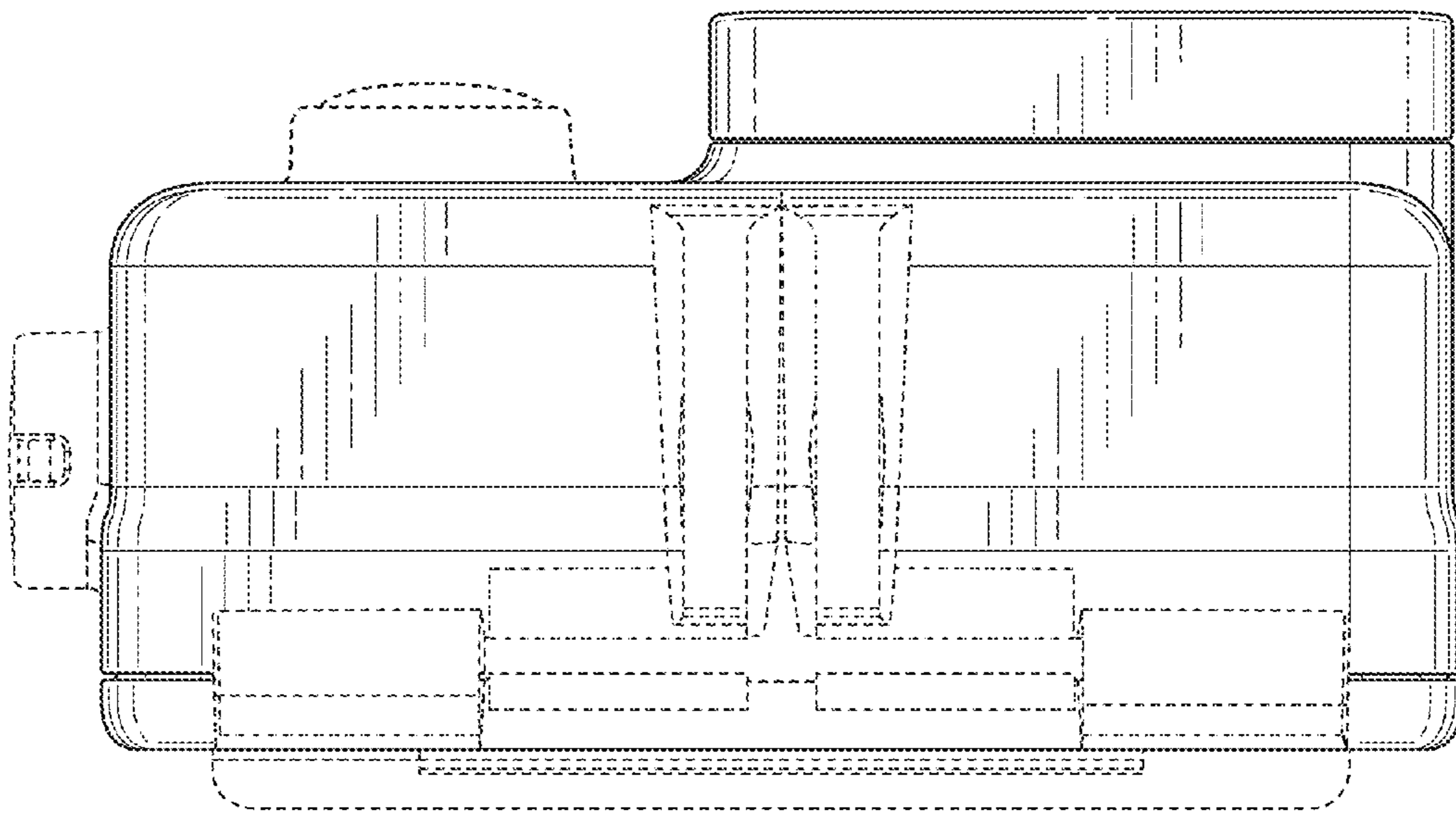


FIG. 10