



US00D740865S

(12) **United States Design Patent**  
**Geis et al.**

(10) **Patent No.:** **US D740,865 S**  
(45) **Date of Patent:** **\*\* Oct. 13, 2015**

(54) **HOLDER FOR A BURNABLE SUBSTRATE**

- (71) Applicant: **S.C. Johnson & Son, Inc.**, Racine, WI (US)
- (72) Inventors: **Mark W. Geis**, Oak Creek, WI (US);  
**Donald J. Schumacher**, Racine, WI (US)
- (73) Assignee: **S.C. Johnson & Son, Inc.**, Racine, WI (US)
- (\*\*) Term: **14 Years**
- (21) Appl. No.: **29/458,399**
- (22) Filed: **Jun. 19, 2013**
- (51) **LOC (10) Cl.** ..... **15-09**
- (52) **U.S. Cl.**  
USPC ..... **D15/144; D12/122**
- (58) **Field of Classification Search**  
USPC ..... **D12/120, 122; D15/144, 144.1, 144.2**  
See application file for complete search history.

(56) **References Cited**

**U.S. PATENT DOCUMENTS**

3,796,002	A *	3/1974	Katsuda	43/125
4,126,958	A *	11/1978	Yokoyama	43/127
4,765,090	A *	8/1988	Kuan et al.	43/127
D352,988	S *	11/1994	Jan	D22/120
5,657,574	A *	8/1997	Kandathil et al.	43/125
6,061,950	A *	5/2000	Carey et al.	43/125
D433,091	S *	10/2000	Carey et al.	D22/122
6,389,739	B1 *	5/2002	Borut et al.	43/125
D469,500	S *	1/2003	Hoo	D22/122
6,854,208	B1 *	2/2005	Chuang et al.	43/125
D523,514	S *	6/2006	Farbman	D22/122
D698,434	S *	1/2014	Wolff	D23/393

**OTHER PUBLICATIONS**

A one page May 7, 2013 web excerpt of a Coghlan's ad entitled "Coghlan's 8686 Mosquito Coil".  
 A one page May 8, 2013 web excerpt entitled "What Are the Functions of a Petri Dish?", by eHow.  
 A one page Dec. 26, 2012 web excerpt entitled "Lady Bird Mosquito Coil Holder" by geckodecko.com.  
 A one page Nov. 11, 2011 news report entitled "Mosquito Coil Good Design Award 2011" by unknown author.

\* cited by examiner

*Primary Examiner* — Patricia Palasik

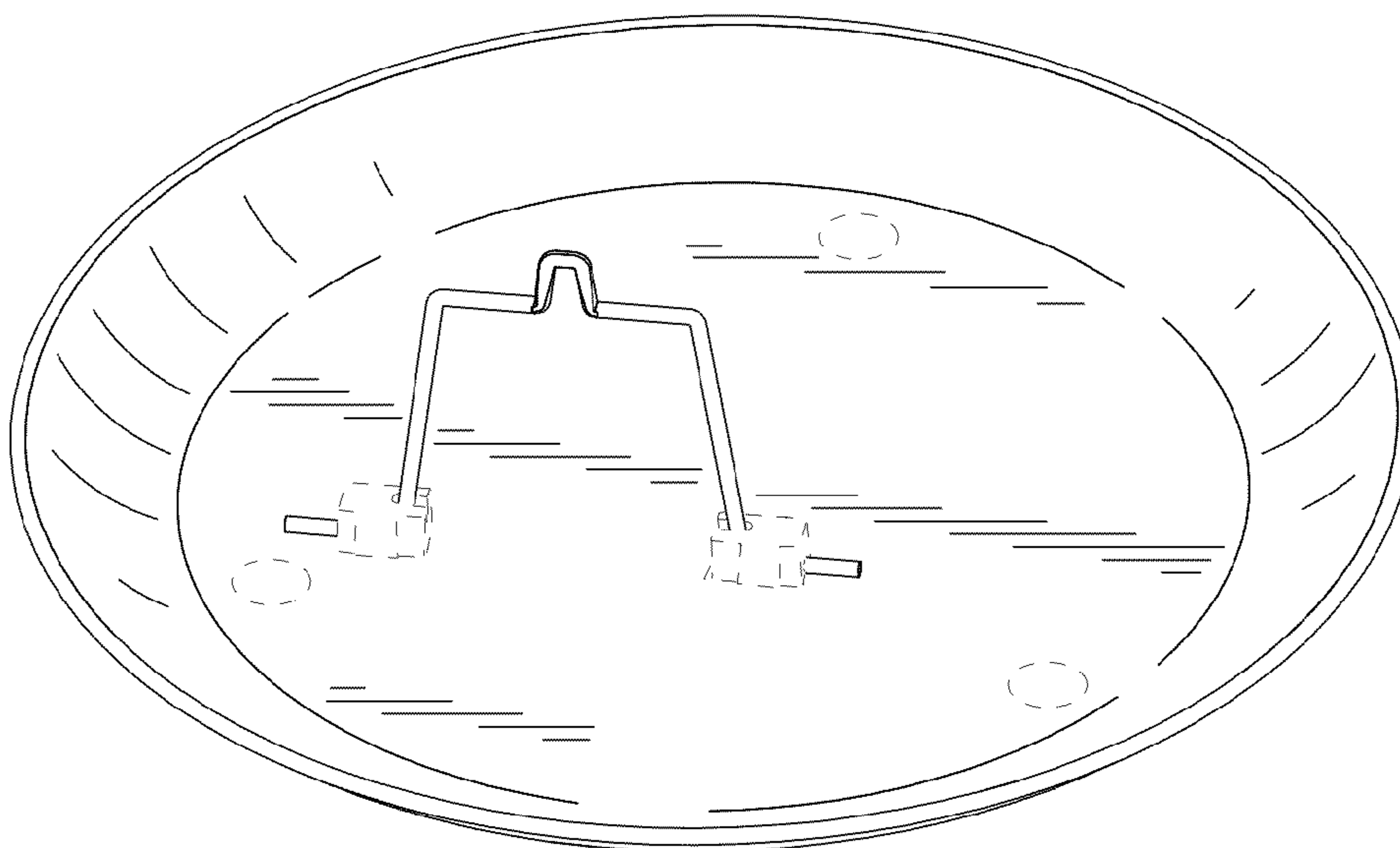
(57) **CLAIM**

The ornamental design for a holder for a burnable substrate, as shown and described.

**DESCRIPTION**

FIG. 1 is a perspective view of a first preferred embodiment of our invention;  
 FIG. 2 is a rear elevational view thereof;  
 FIG. 3 is a front elevational view thereof;  
 FIG. 4 is a top plan view thereof;  
 FIG. 5 is a bottom plan view thereof;  
 FIG. 6 is a left side elevational view thereof;  
 FIG. 7 is a right side elevational view thereof; and,  
 FIG. 8 is a view thereof that is identical to FIG. 1, except for showing a pivotable mounting prong of the holder moved to an alternative position that renders the holder more suitable for compact shipment.  
 The dotted line representations of stands in the form of bumps, pivot supports, surface ornamentation in the form of a coil, and a pivotable stand, depict unclaimed environmental subject matter.

**1 Claim, 5 Drawing Sheets**



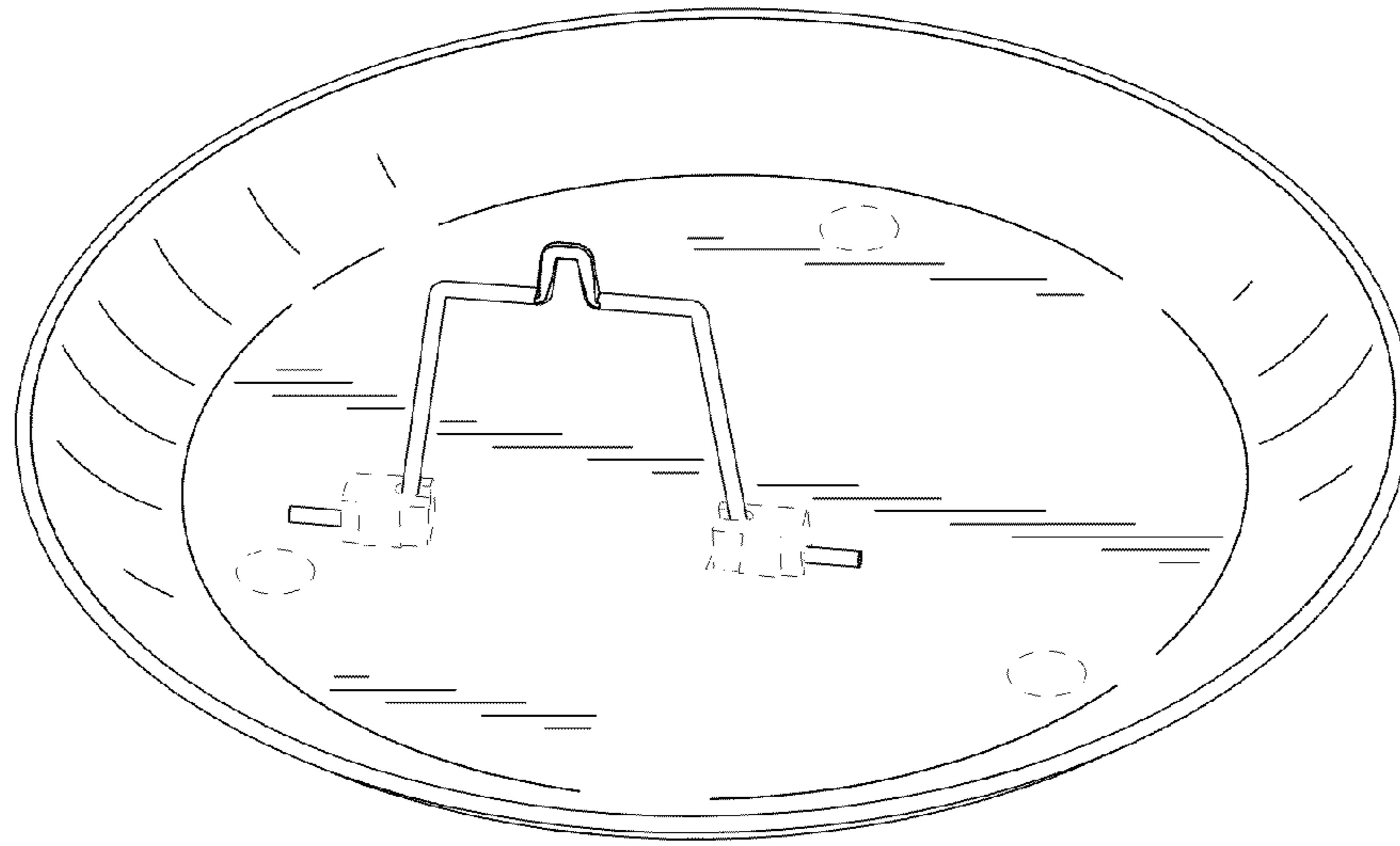


FIG. 1

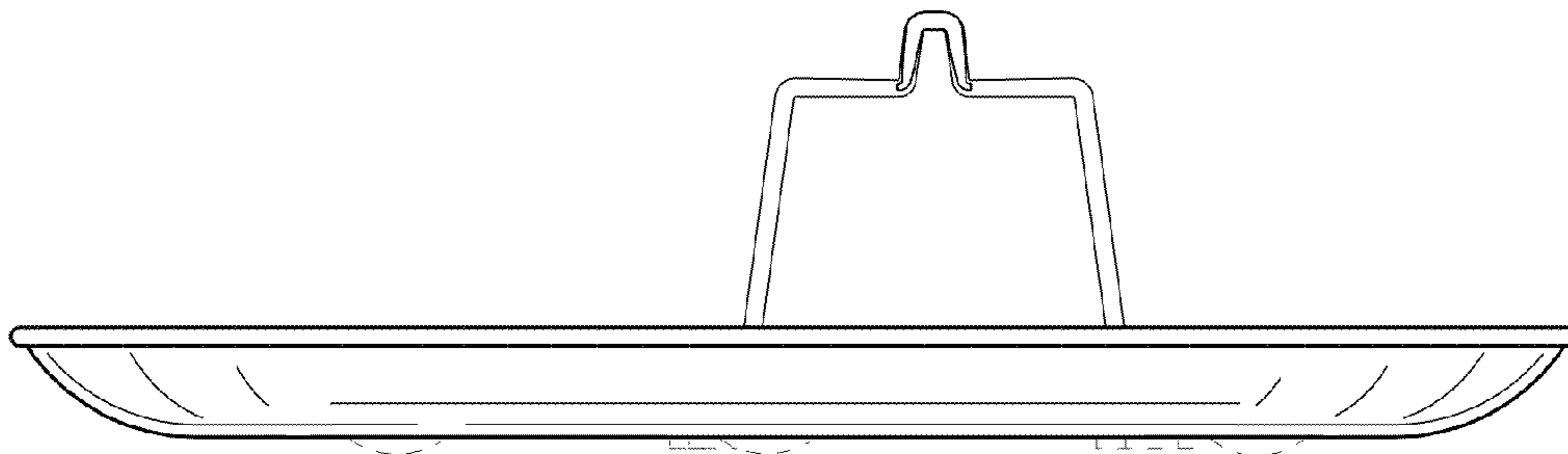


FIG. 2

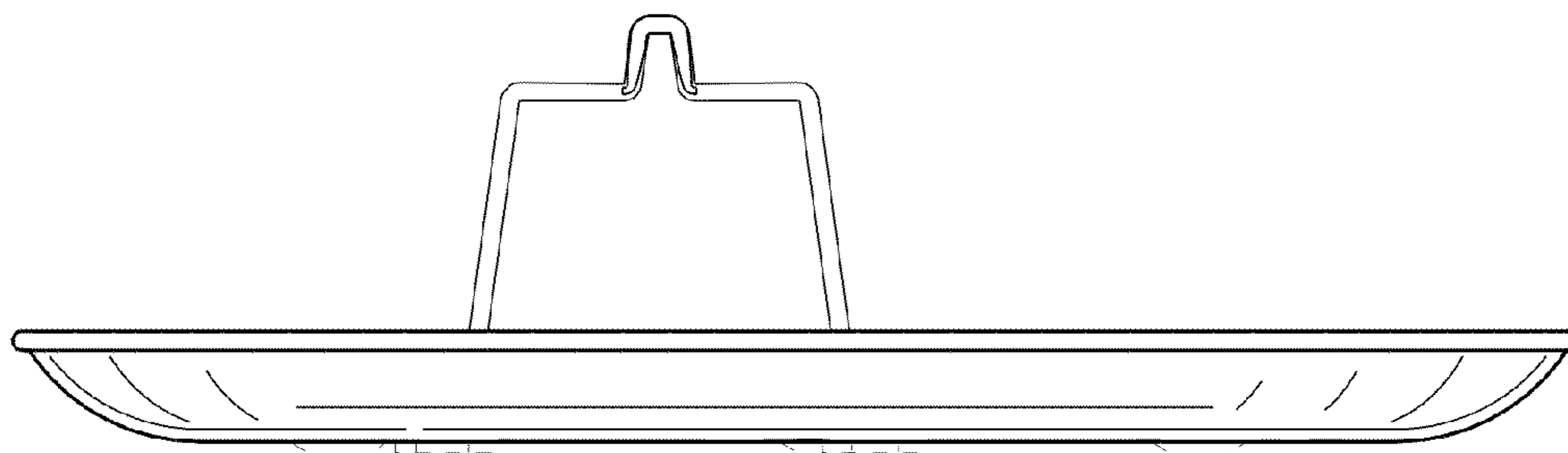


FIG. 3

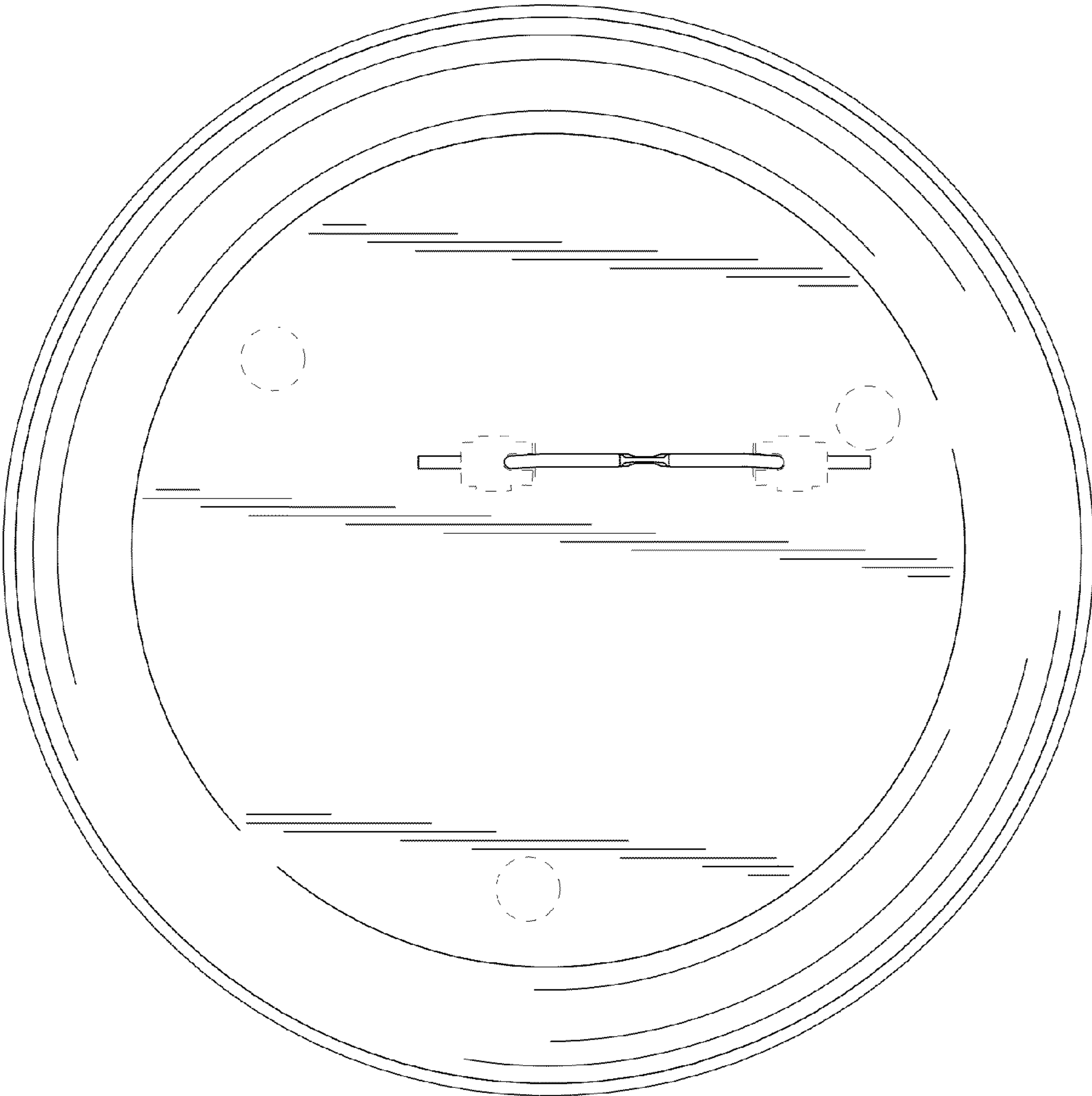


FIG. 4

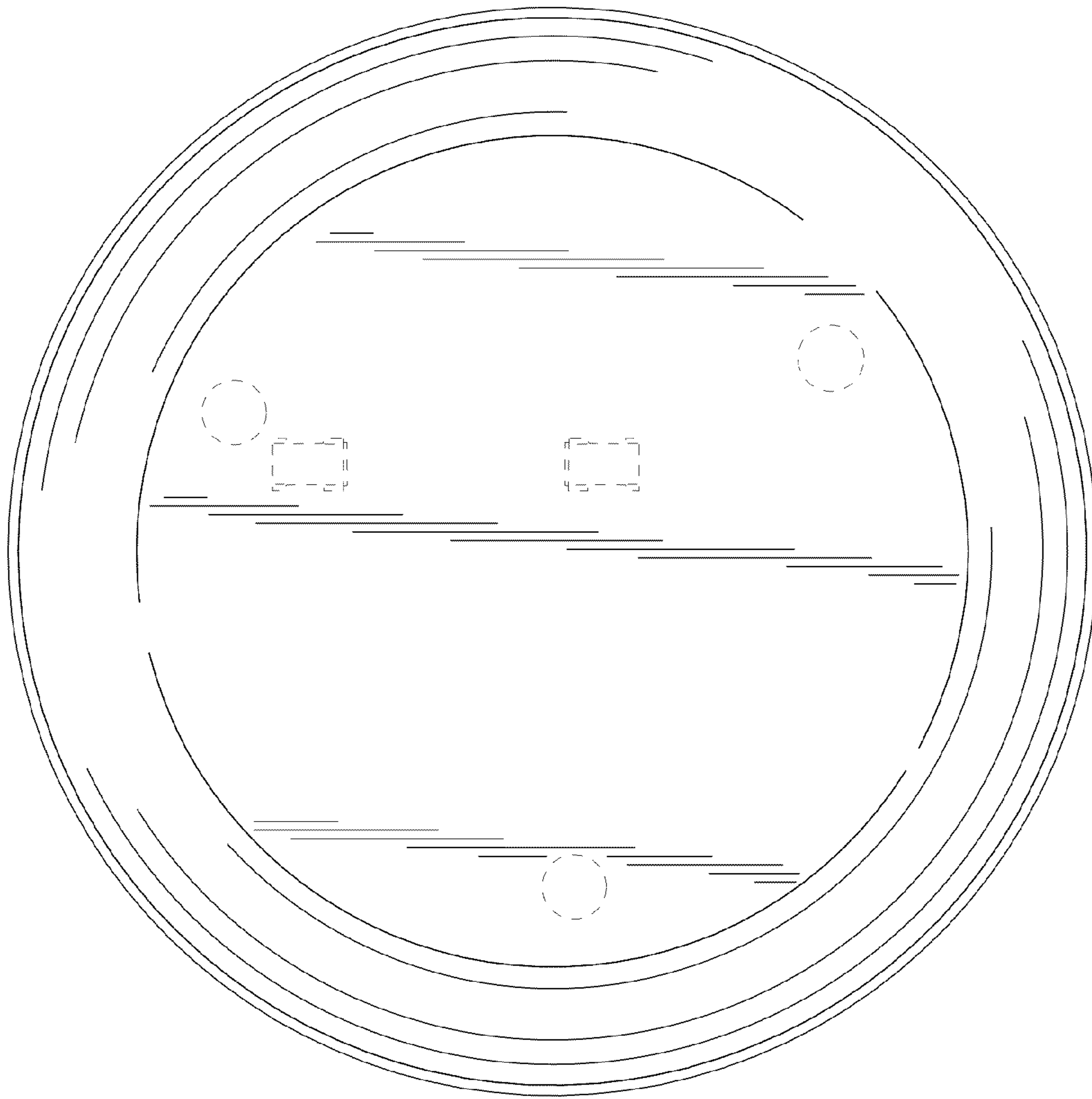


FIG. 5

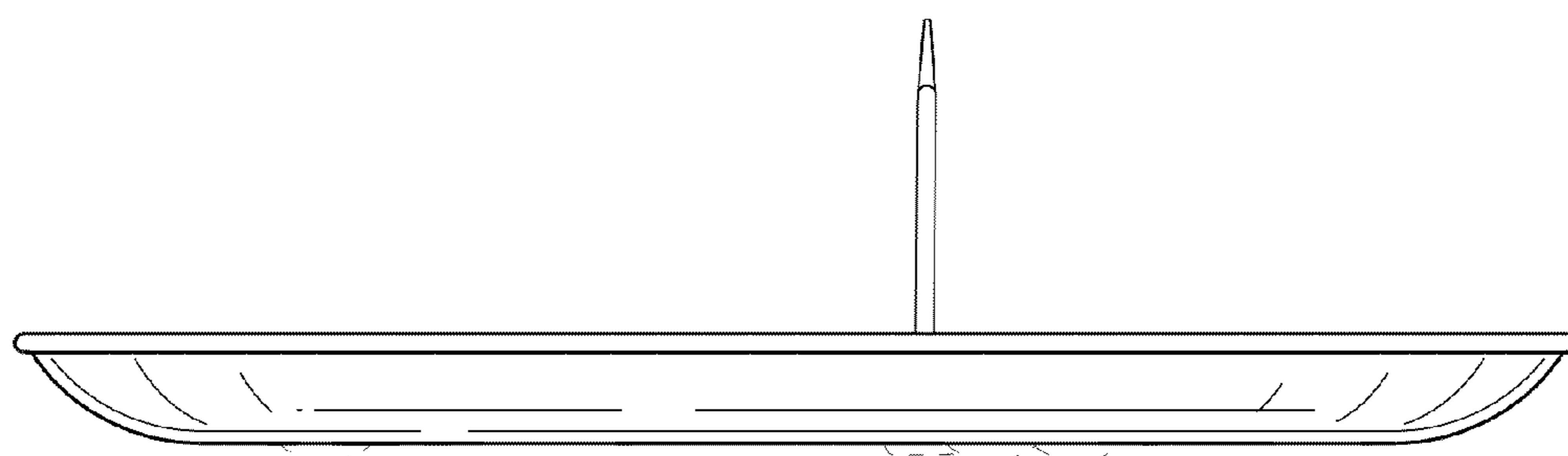


FIG. 6

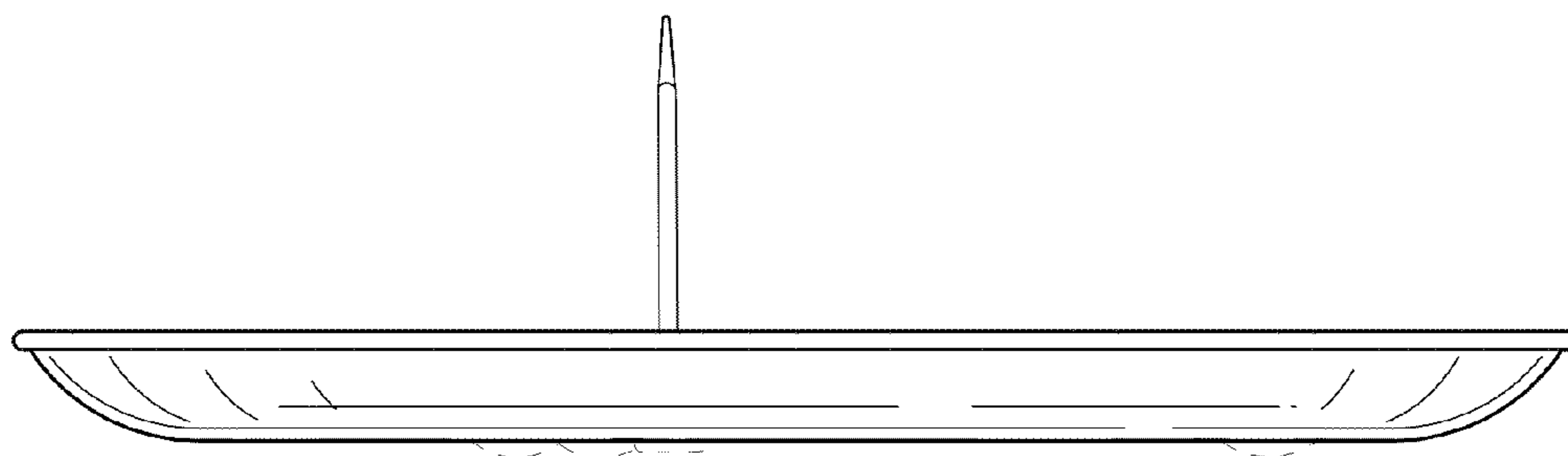


FIG. 7

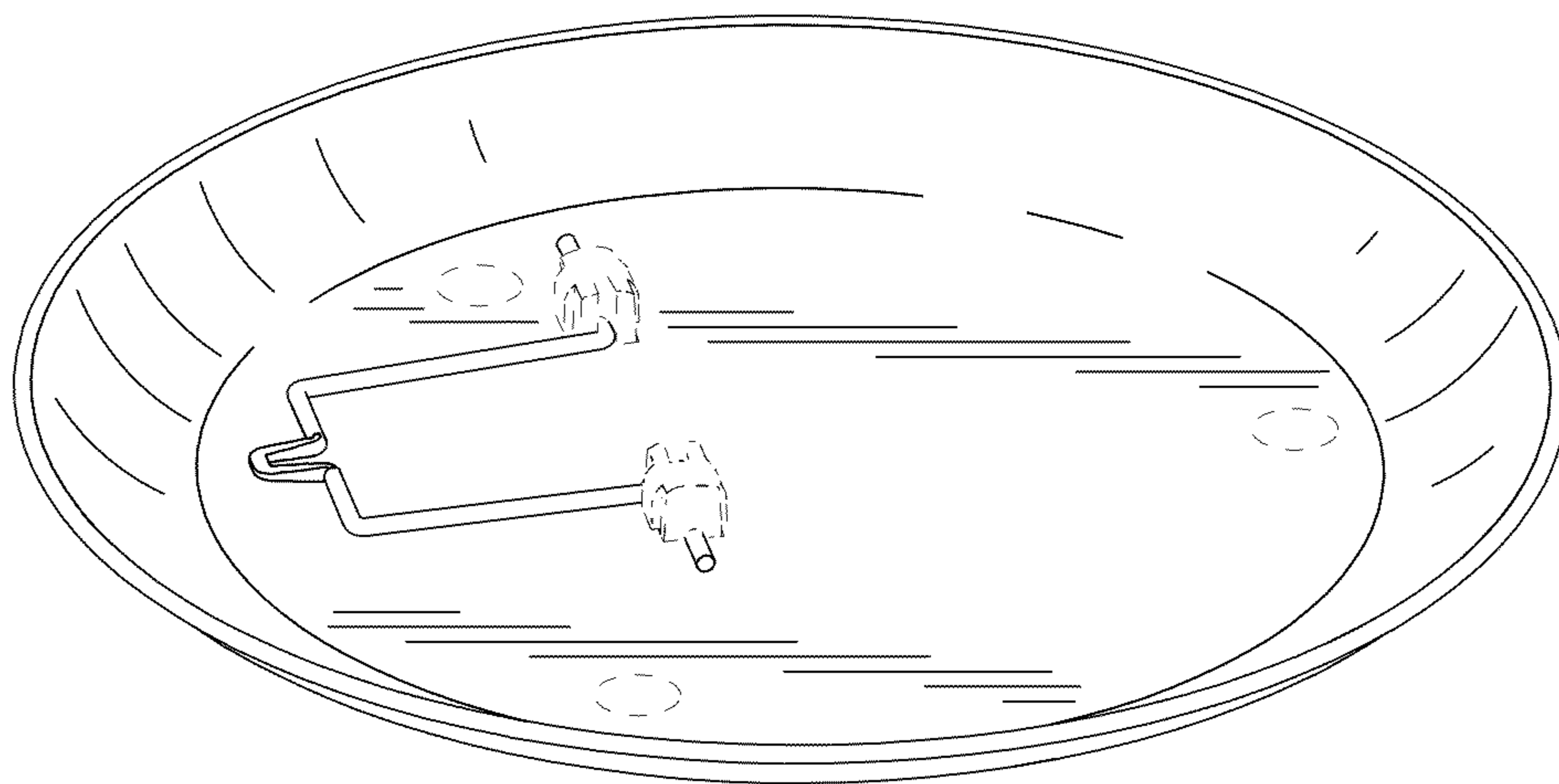


FIG. 8