



US00D740862S

(12) **United States Design Patent**
Park et al.

(10) **Patent No.:** **US D740,862 S**

(45) **Date of Patent:** **** Oct. 13, 2015**

(54) **TRAY FOR REFRIGERATOR DOOR**

(56) **References Cited**

(71) Applicant: **Samsung Electronics Co., Ltd.**,
Suwon-si, Gyeonggi-do (KR)

U.S. PATENT DOCUMENTS

(72) Inventors: **Se-Youn Park**, Seoul (KR); **Jong-Hyub Lee**, Seoul (KR); **Jun-Kyo Lee**, Daegu (KR); **Hyun-Il Lee**, Seoul (KR); **Sang-Woon Jeon**, Namyangju-si (KR)

D676,468 S * 2/2013 Lee et al. D15/89
D710,404 S * 8/2014 Park et al. D15/89
D724,118 S * 3/2015 Kim et al. D15/89

* cited by examiner

(73) Assignee: **SAMSUNG ELECTRONICS CO., LTD.** (KR)

Primary Examiner — Daniel Bui

Assistant Examiner — Khawaja Anwar

(74) *Attorney, Agent, or Firm* — Cantor Colburn LLP

(**) Term: **14 Years**

(57) **CLAIM**

(21) Appl. No.: **29/492,793**

The ornamental design for a tray for refrigerator door, as shown and described.

(22) Filed: **Jun. 3, 2014**

DESCRIPTION

(30) **Foreign Application Priority Data**

Dec. 3, 2013 (KR) 30-2013-0060834

(51) **LOC (10) Cl.** **15-07**

(52) **U.S. Cl.**
USPC **D15/89**

(58) **Field of Classification Search**
USPC D15/79-91
CPC F25D 23/028; F25D 23/02; F25D 25/025;
F25D 23/00; F25D 2323/021; F25D 11/00;
F25D 2323/024; F25D 23/04; F25D 29/00;
F25D 25/02; F25D 25/024; F25D 27/005;
F25D 23/12; F25D 29/005; F25D 17/042;
F25D 2325/021

FIG. 1 is a perspective view of a tray for refrigerator door, showing our new design;
FIG. 2 is a front elevation view thereof;
FIG. 3 is a rear elevation view thereof;
FIG. 4 is a side elevation view thereof;
FIG. 5 is a another side elevation view thereof;
FIG. 6 is a top plan view thereof;
FIG. 7 is a bottom plan view thereof; and,
FIG. 8 is another perspective view thereof in an alternate configuration.

The broken lines are for environmental purpose only and form no part of the claimed design.

See application file for complete search history.

1 Claim, 8 Drawing Sheets

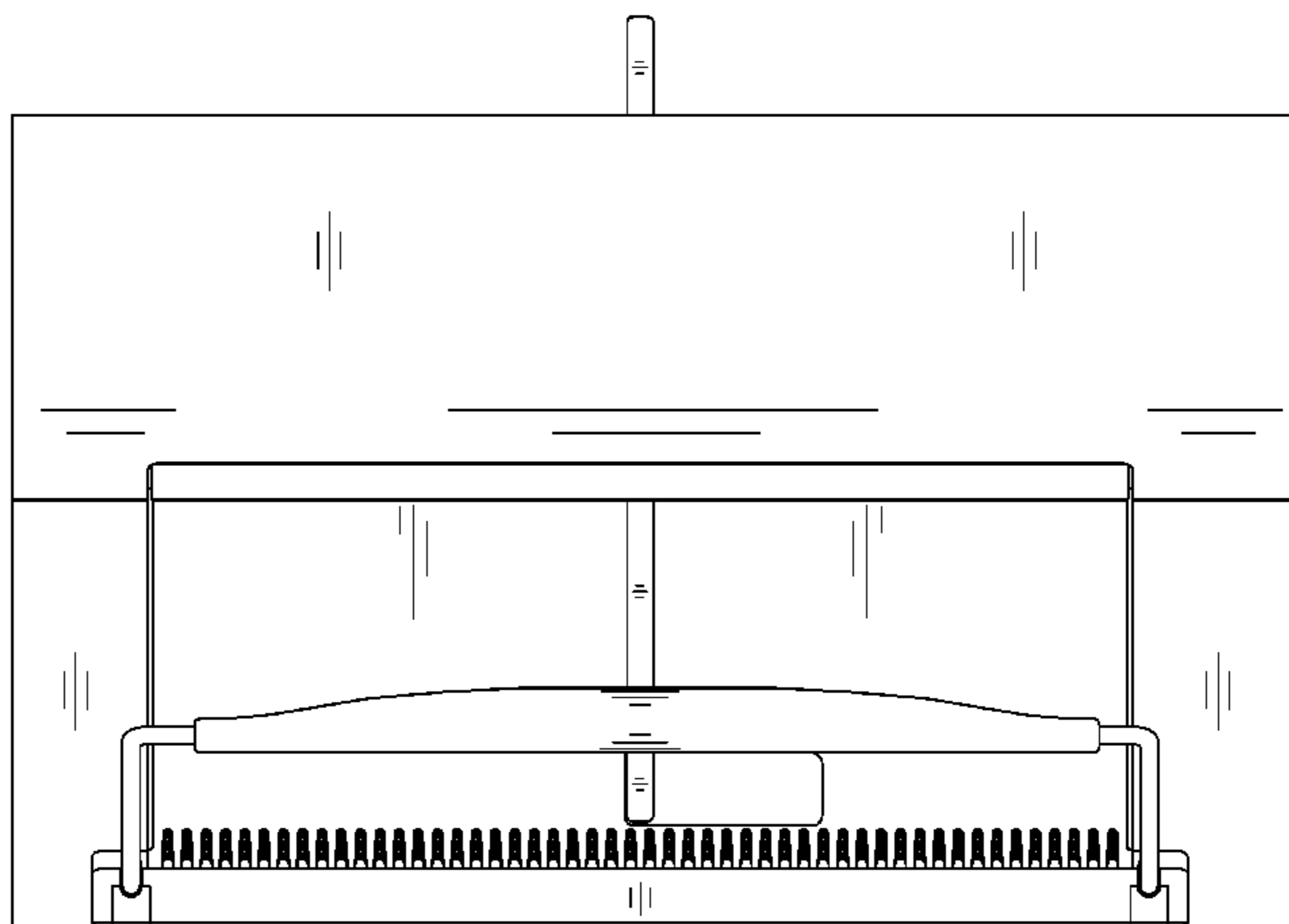
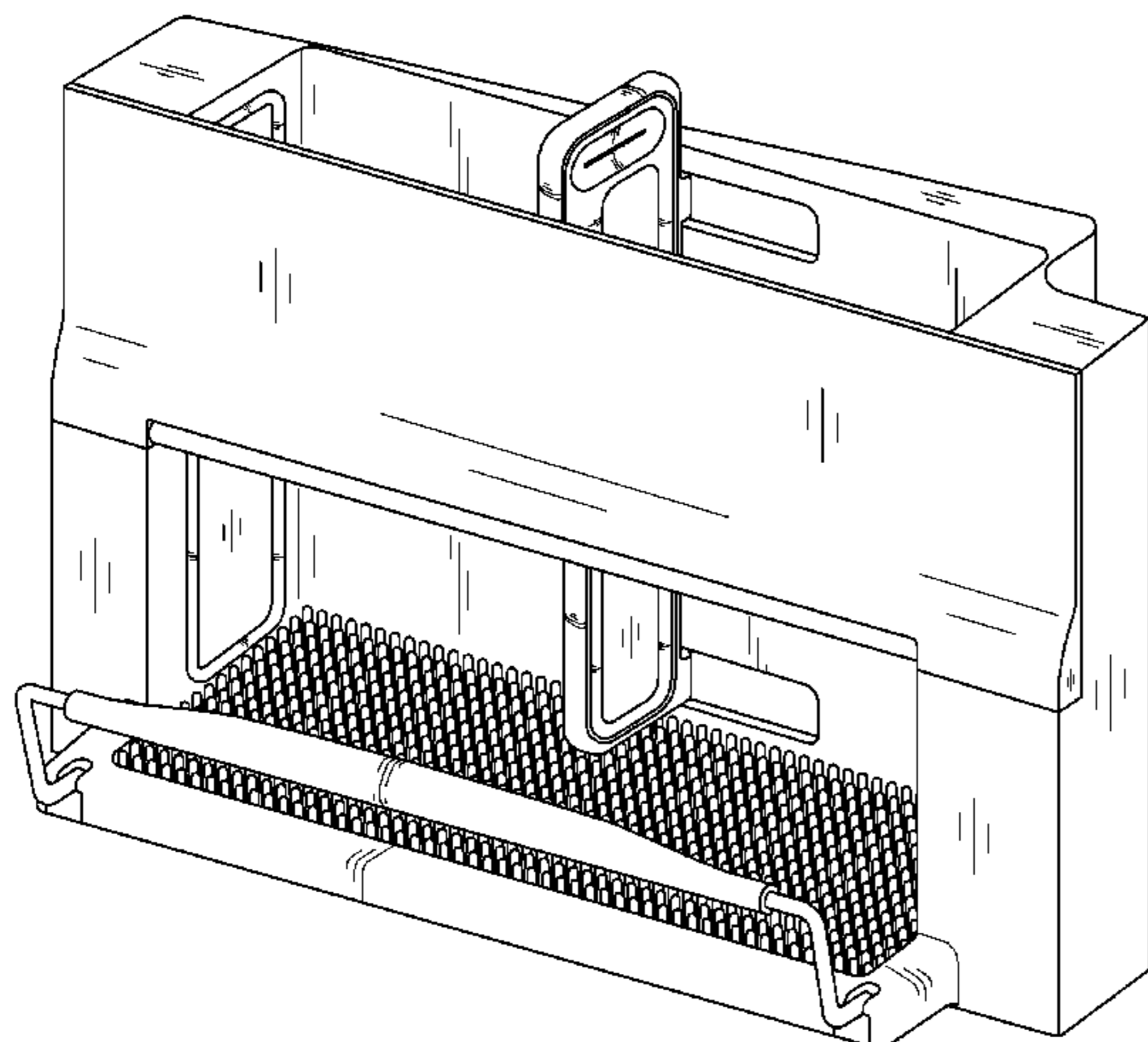


FIG. 1

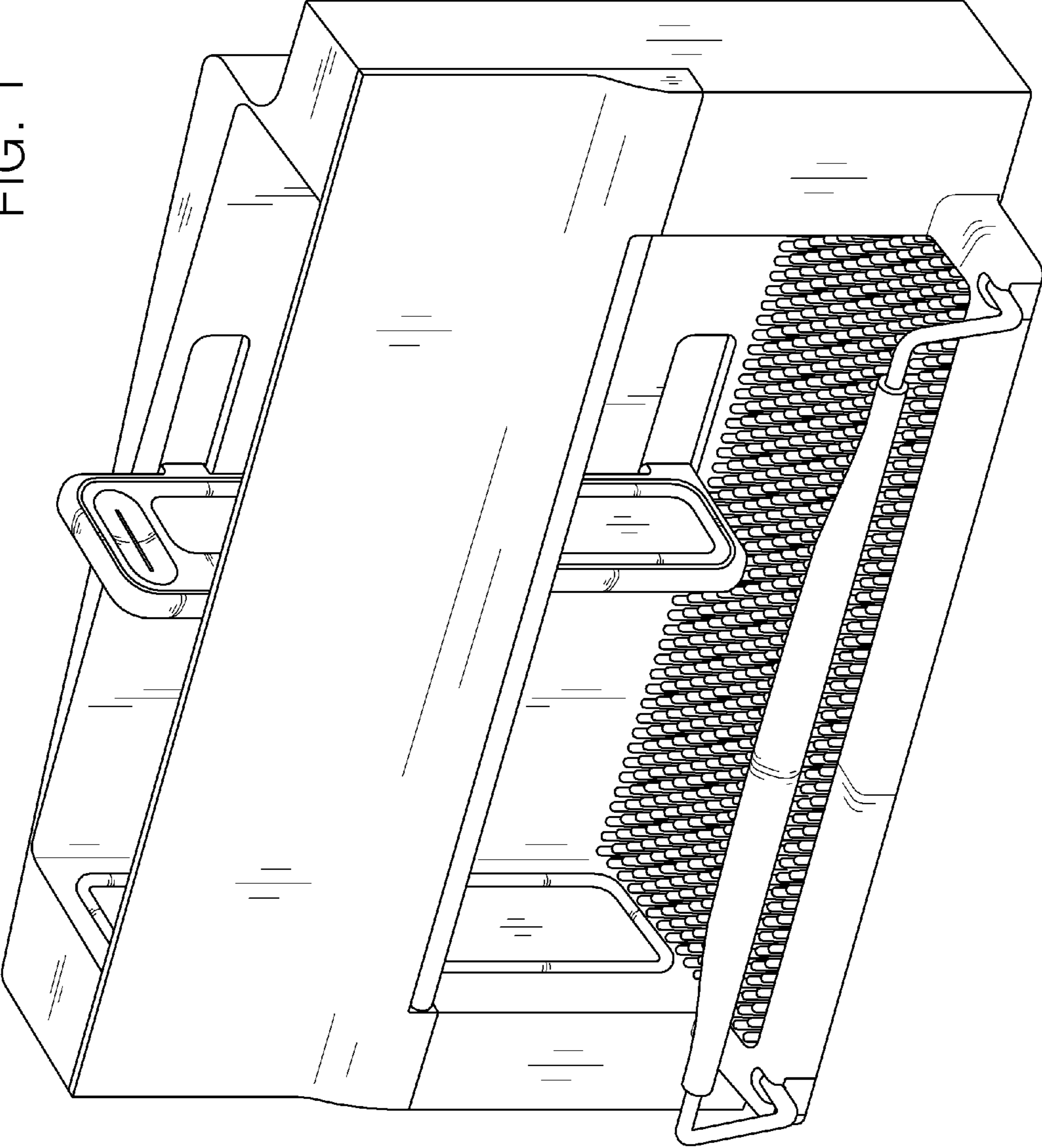


FIG. 2

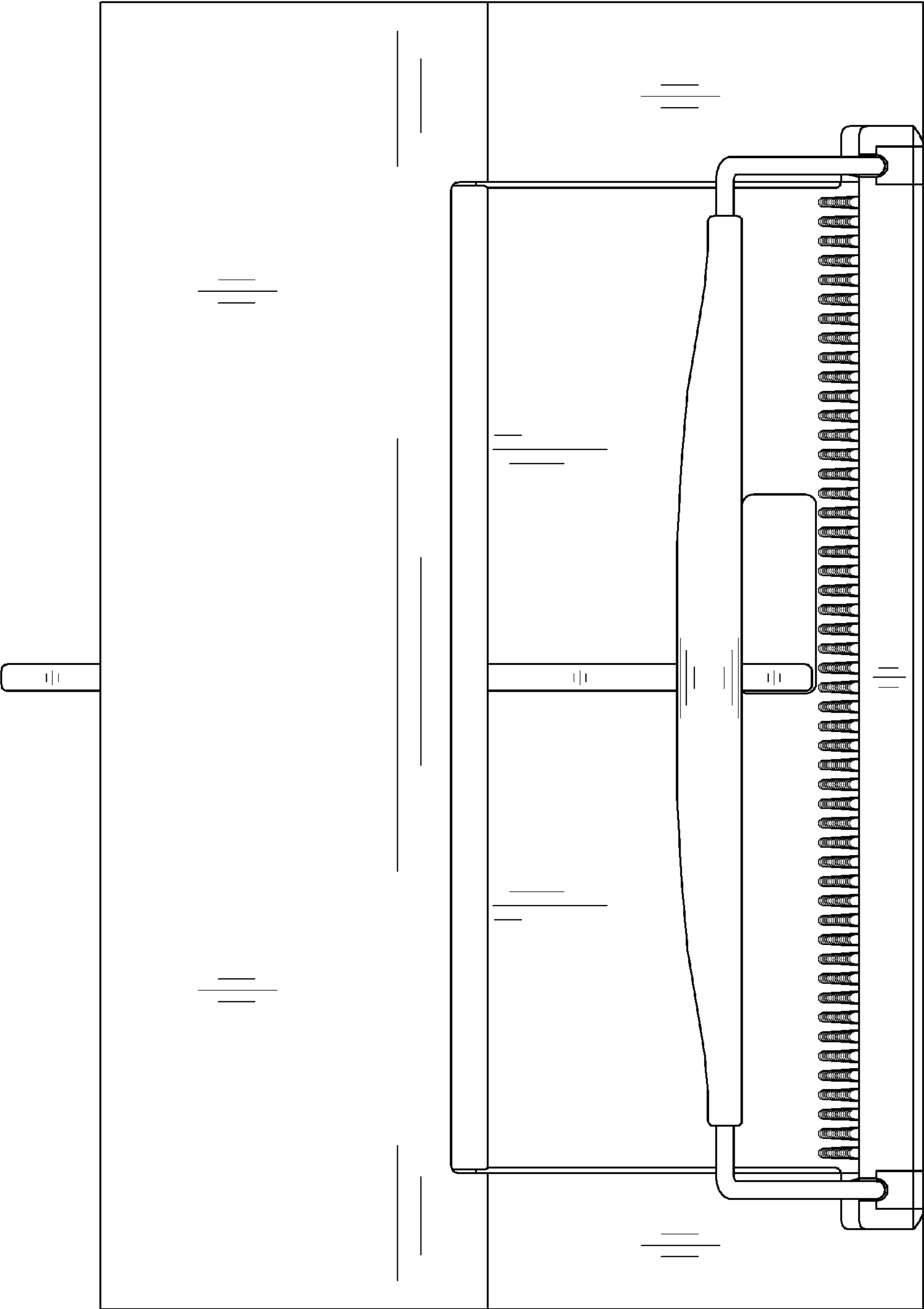
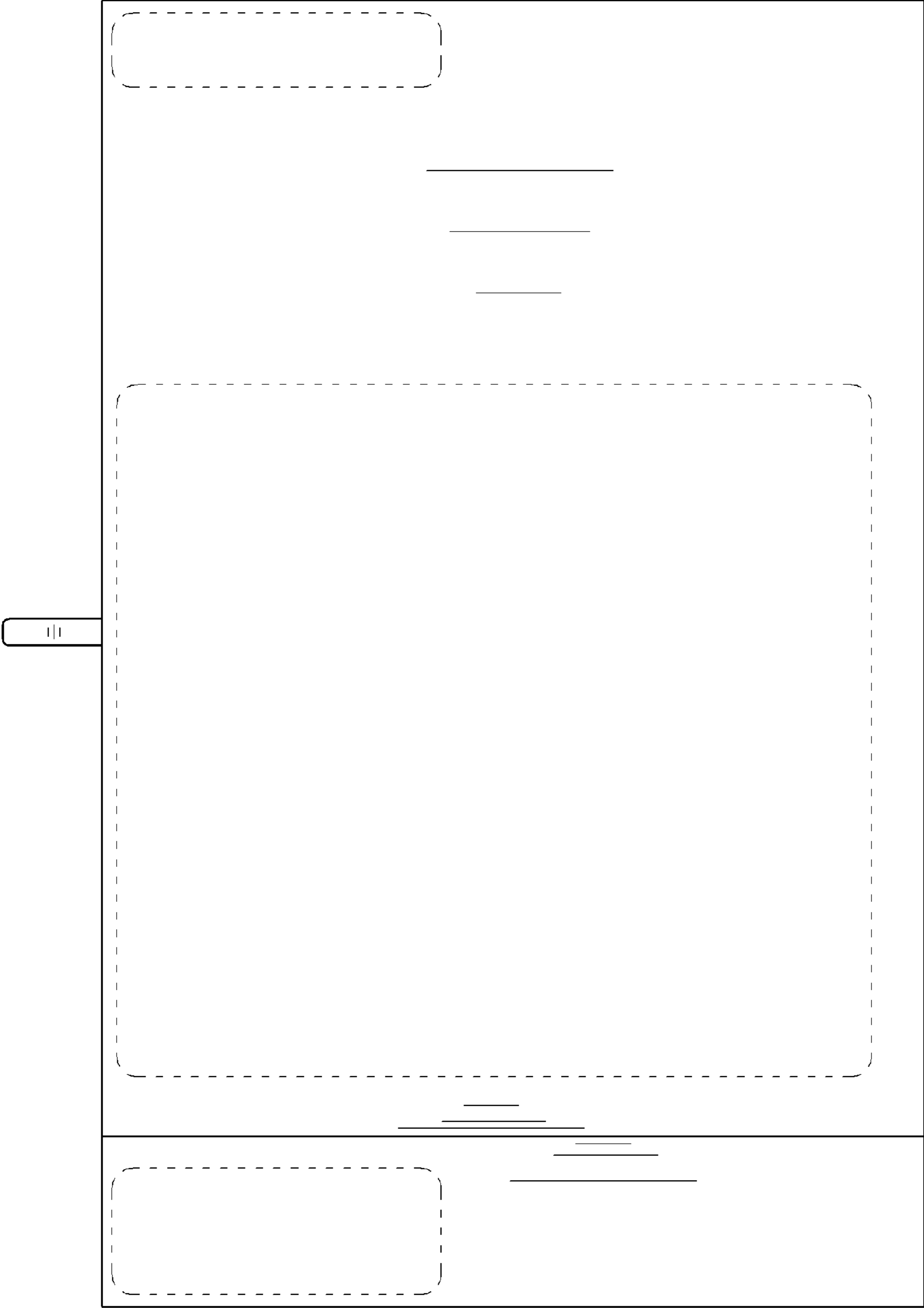


FIG. 3



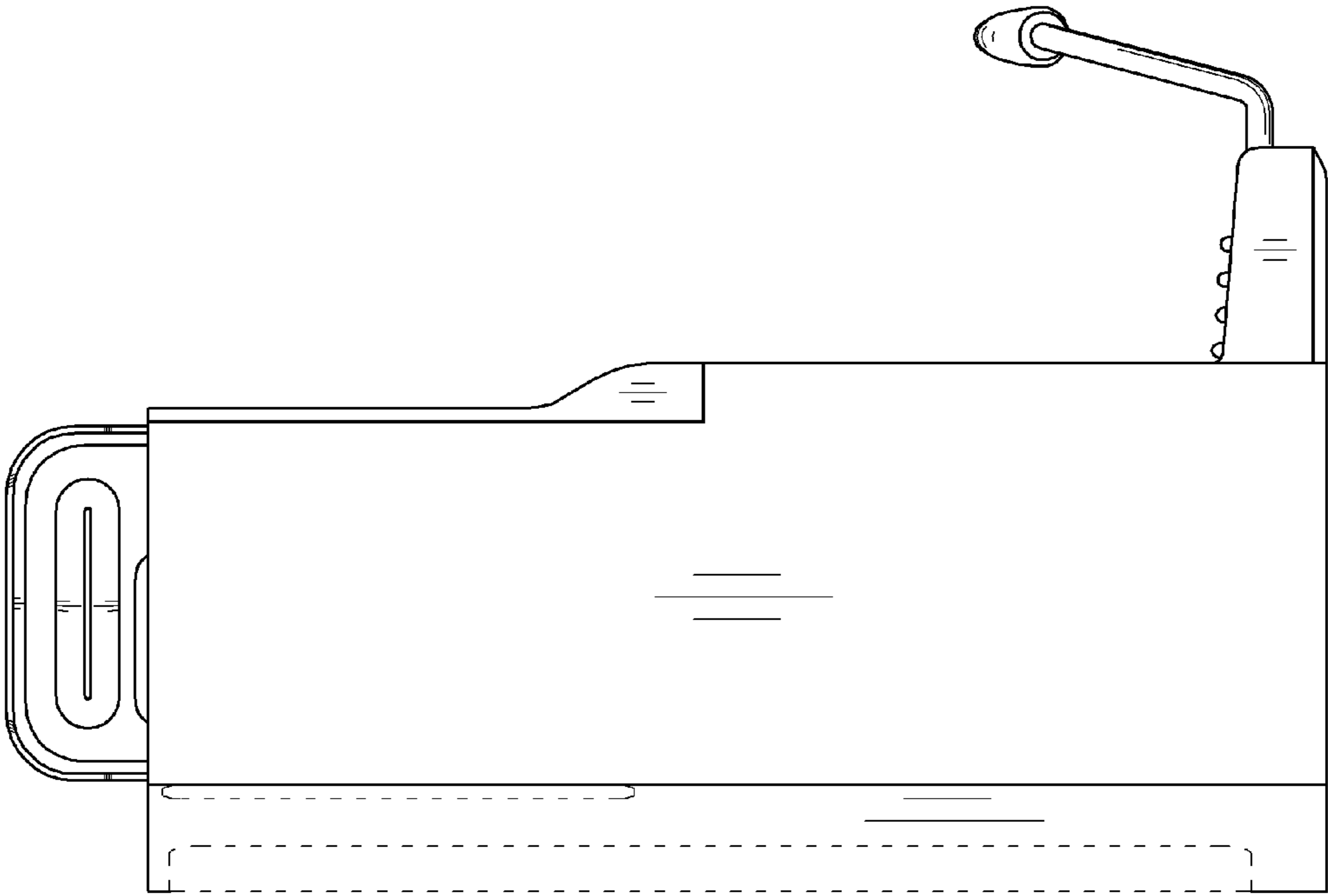


FIG. 4

FIG. 5

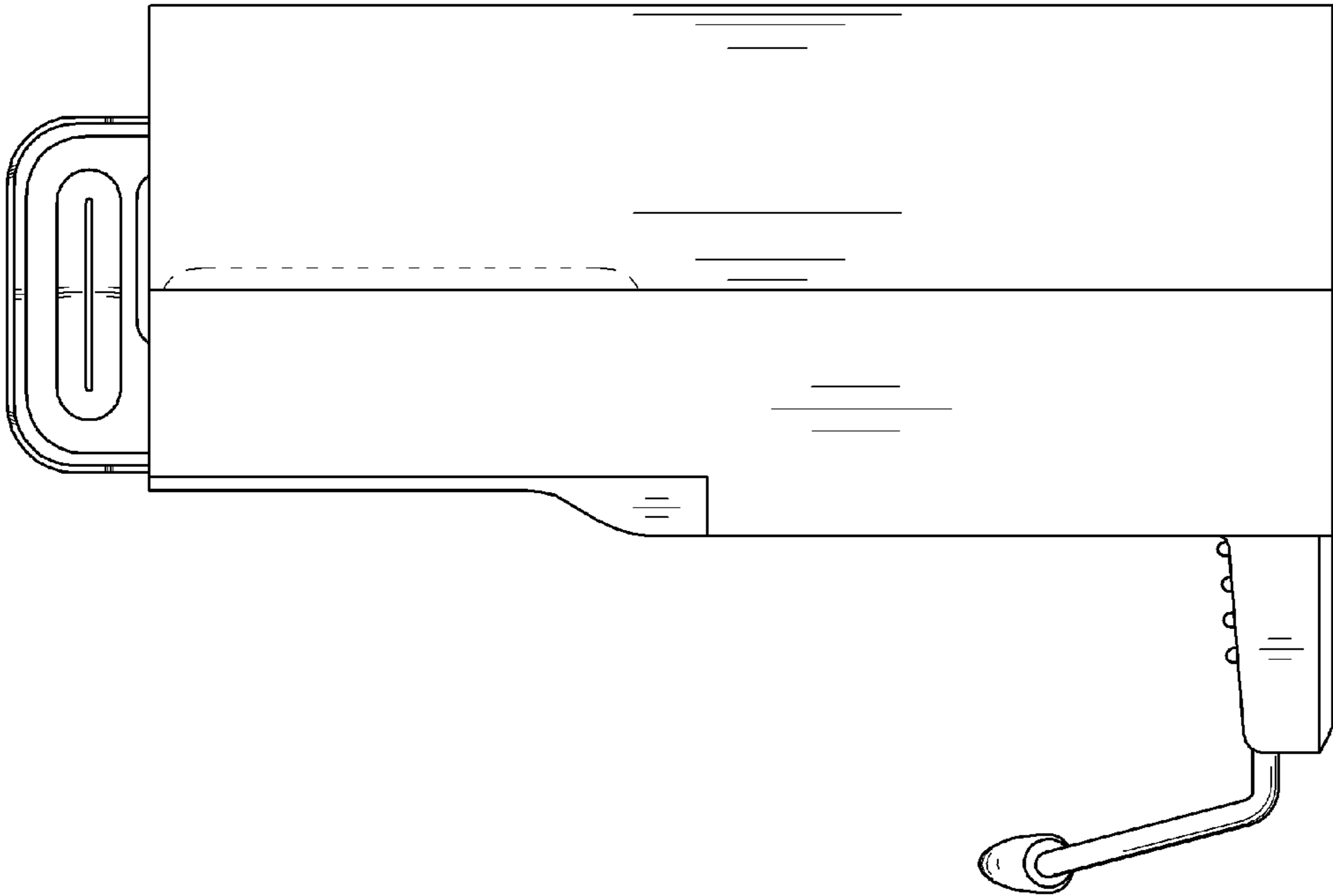


FIG. 6

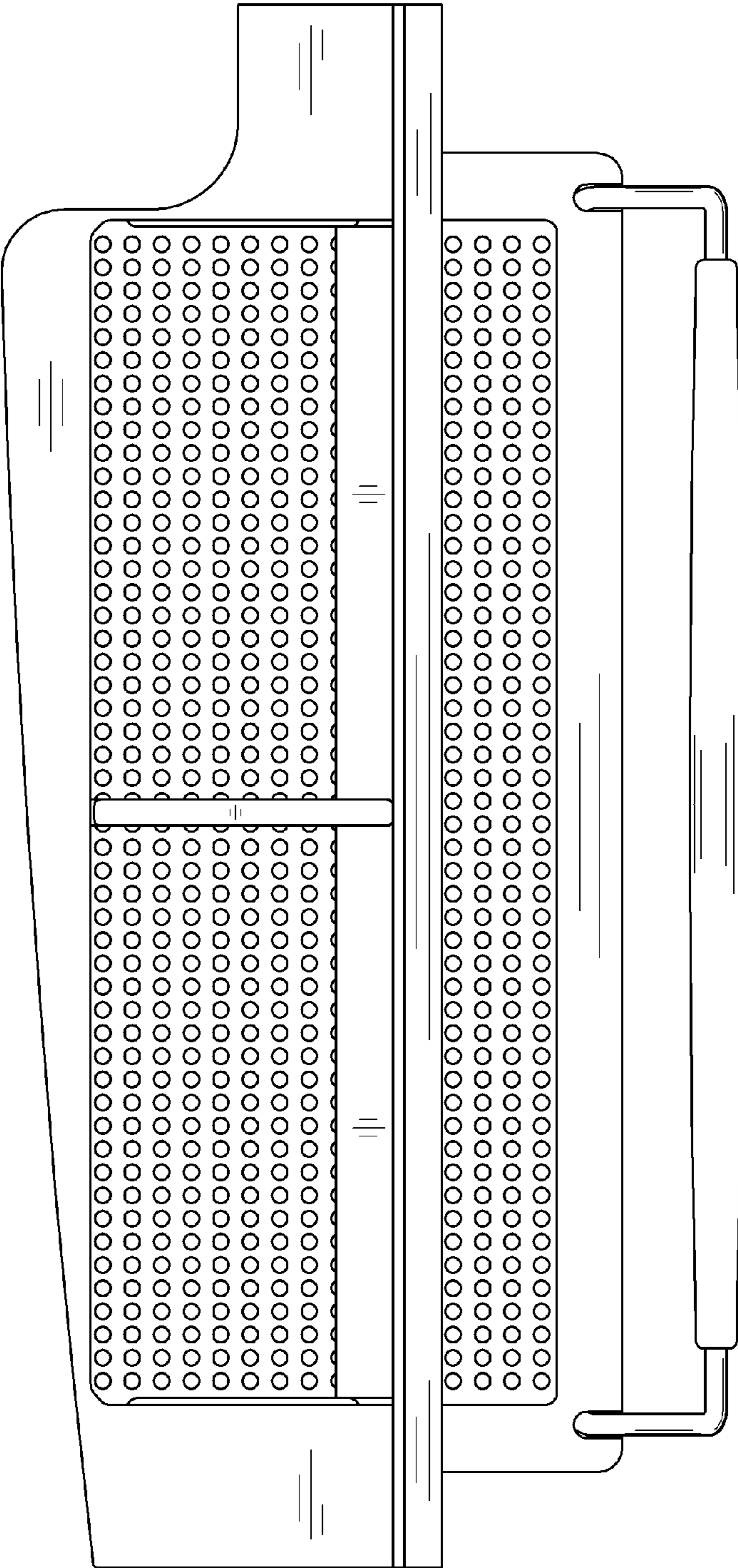


FIG. 7



FIG. 8

