



US00D740860S

(12) **United States Design Patent**
Krueger et al.

(10) **Patent No.:** **US D740,860 S**

(45) **Date of Patent:** **** Oct. 13, 2015**

(54) **ROAD SURFACE CLEARING APPARATUS**

6,073,305 A	6/2000	Hesskamp	
D431,254 S *	9/2000	Koberlein D15/27
6,146,092 A	11/2000	Botros et al.	
6,189,179 B1	2/2001	Baird	
6,260,231 B1	7/2001	Bybee et al.	
6,286,228 B1	9/2001	Bodnar et al.	

(71) Applicant: **National Association for Stock Car Auto Racing, Inc.**, Daytona Beach, FL (US)

(Continued)

(72) Inventors: **Donald E. Krueger**, Stony Point, NC (US); **Michael D. Horton**, Concord, NC (US); **John K. Sutton**, Concord, NC (US)

FOREIGN PATENT DOCUMENTS

EP	0 340 692 A1	11/1989
EP	0 652 998 A1	5/1995

(Continued)

(73) Assignee: **National Association for Stock Car Auto Racing, Inc.**, Daytona Beach, FL (US)

Primary Examiner — Robin V Webster

(**) Term: **14 Years**

(74) *Attorney, Agent, or Firm* — Alston & Bird LLP

(21) Appl. No.: **29/444,700**

(57) **CLAIM**

The ornamental design for a road surface clearing apparatus, as shown and described.

(22) Filed: **Feb. 1, 2013**

(51) **LOC (10) Cl.** **15-03**

(52) **U.S. Cl.**
USPC **D15/27**

(58) **Field of Classification Search**
USPC D15/27, 28, 32; 454/305; 15/309.2, 15/316.11; D32/15; 172/141, 612
See application file for complete search history.

DESCRIPTION

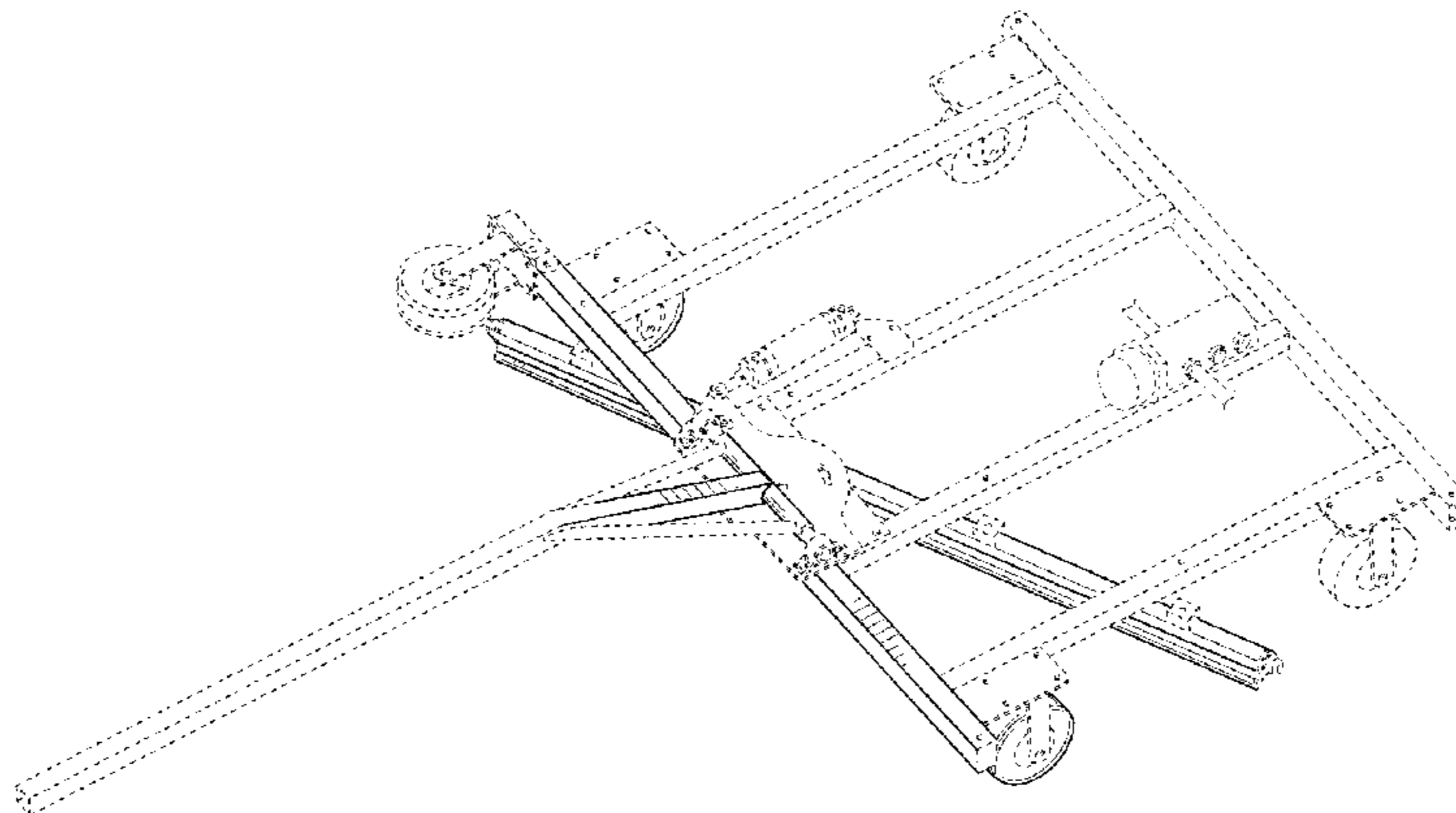
FIG. 1 is a perspective view of a road surface clearing apparatus according to my new design;
FIG. 2 is a back elevation view thereof;
FIG. 3 is a front elevation view thereof;
FIG. 4 is a top plan view thereof;
FIG. 5 is a bottom plan view thereof;
FIG. 6 is a right side elevation view thereof;
FIG. 7 is a left side elevation view thereof;
FIG. 8 is a perspective view of another embodiment of a road surface clearing apparatus according to my new design;
FIG. 9 is a back elevation view thereof;
FIG. 10 is a front elevation view thereof;
FIG. 11 is a top plan view thereof;
FIG. 12 is a bottom plan view thereof;
FIG. 13 is a right side elevation view thereof; and,
FIG. 14 is a left side elevation view thereof.
The broken lines are directed to environment and are for illustrative purposes only. The broken lines form no part of any embodiment of the claimed design.

(56) **References Cited**

U.S. PATENT DOCUMENTS

3,902,219 A	9/1975	Jones
3,999,243 A	12/1976	La Pour
4,062,085 A	12/1977	Duncan
4,105,429 A	8/1978	Delgado
4,513,915 A	4/1985	Kohler et al.
4,887,545 A	12/1989	Soininen
5,074,242 A	12/1991	Briemont
5,189,832 A	3/1993	Hoek et al.
5,377,381 A	1/1995	Wilson
5,533,577 A	7/1996	Jucker
5,673,457 A	10/1997	Webster et al.
5,746,539 A	5/1998	Mara
6,049,943 A	4/2000	Carter

1 Claim, 14 Drawing Sheets



(56)

References Cited

U.S. PATENT DOCUMENTS

6,298,578 B1 10/2001 Frampton
6,308,635 B1 10/2001 Abele
6,493,902 B2 * 12/2002 Lin 15/302
6,742,285 B2 6/2004 Shepard
6,990,751 B2 1/2006 Riley et al.
D527,028 S * 8/2006 Ford D15/28
7,134,262 B2 11/2006 Erwig
7,216,396 B2 5/2007 Slawinski
7,520,314 B2 4/2009 Hwang et al.
D623,669 S * 9/2010 Kromminga et al. D15/27
7,823,303 B2 11/2010 Nagamatsu et al.
D646,699 S * 10/2011 Knobloch et al. D15/27

D668,687 S * 10/2012 Kromminga D15/11
8,281,499 B2 10/2012 Friesen et al.
2007/0281194 A1 12/2007 Nishio et al.
2010/0024242 A1 2/2010 Friesen et al.
2010/0120350 A1 5/2010 Pucciani
2012/0255585 A1 10/2012 Kowalczyk

FOREIGN PATENT DOCUMENTS

GB 2 389 037 A 12/2003
WO WO 94/26982 A1 11/1994
WO WO 2010/034095 A1 4/2010
WO WO 2011/117660 A2 9/2011

* cited by examiner

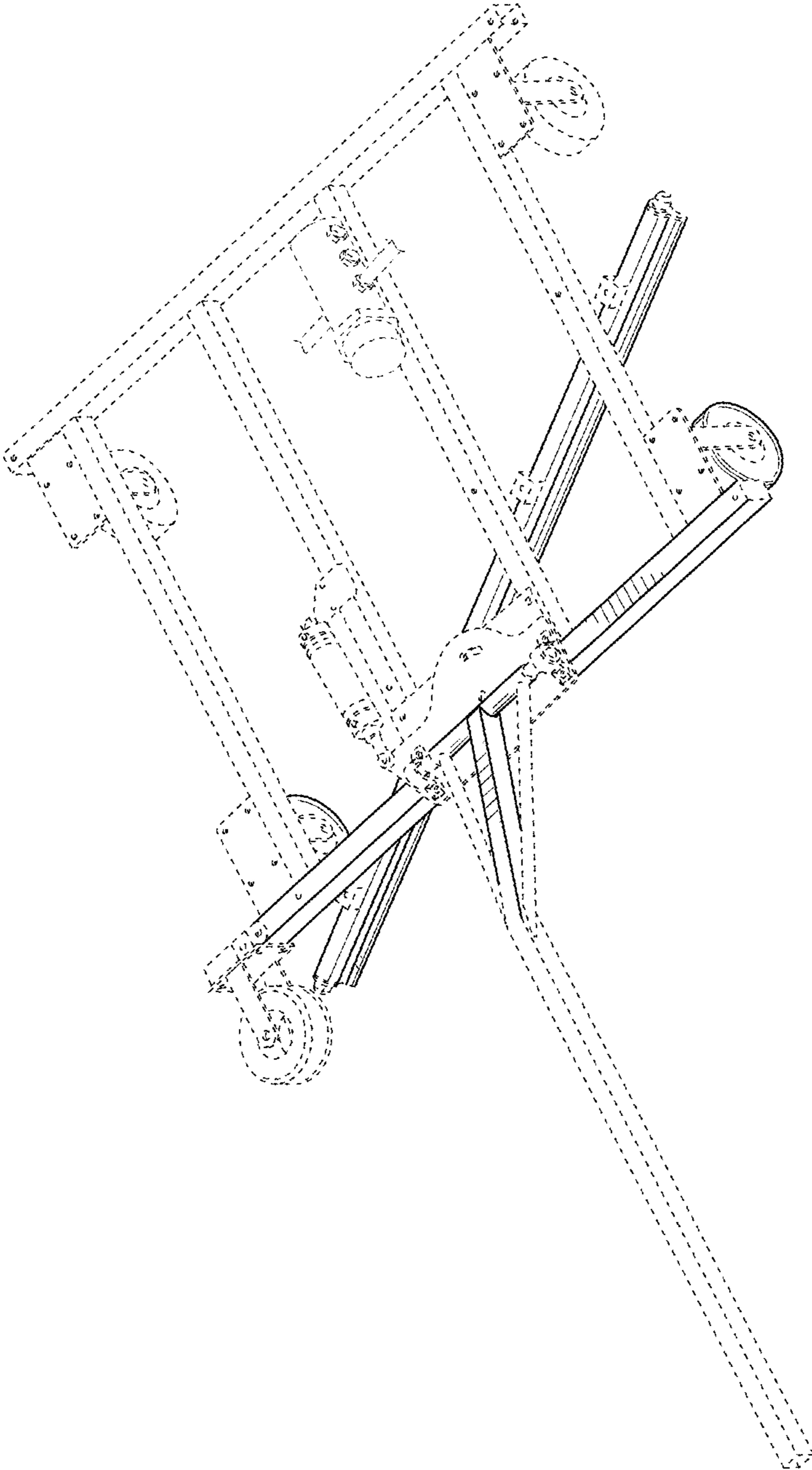


FIG. 1

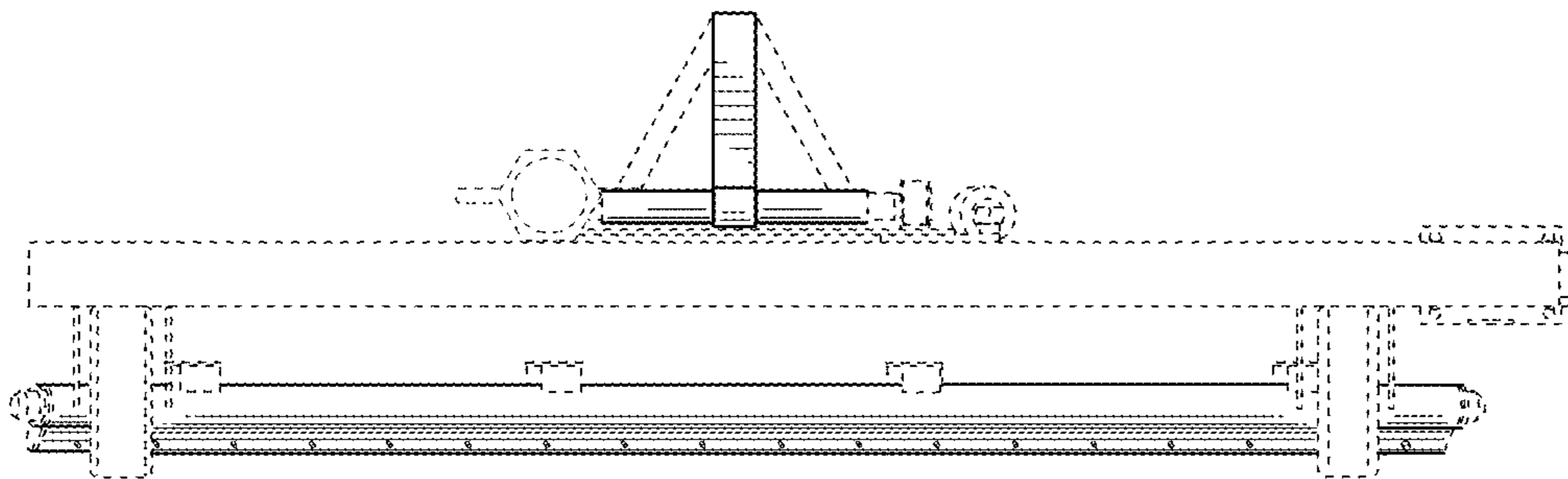


FIG. 2

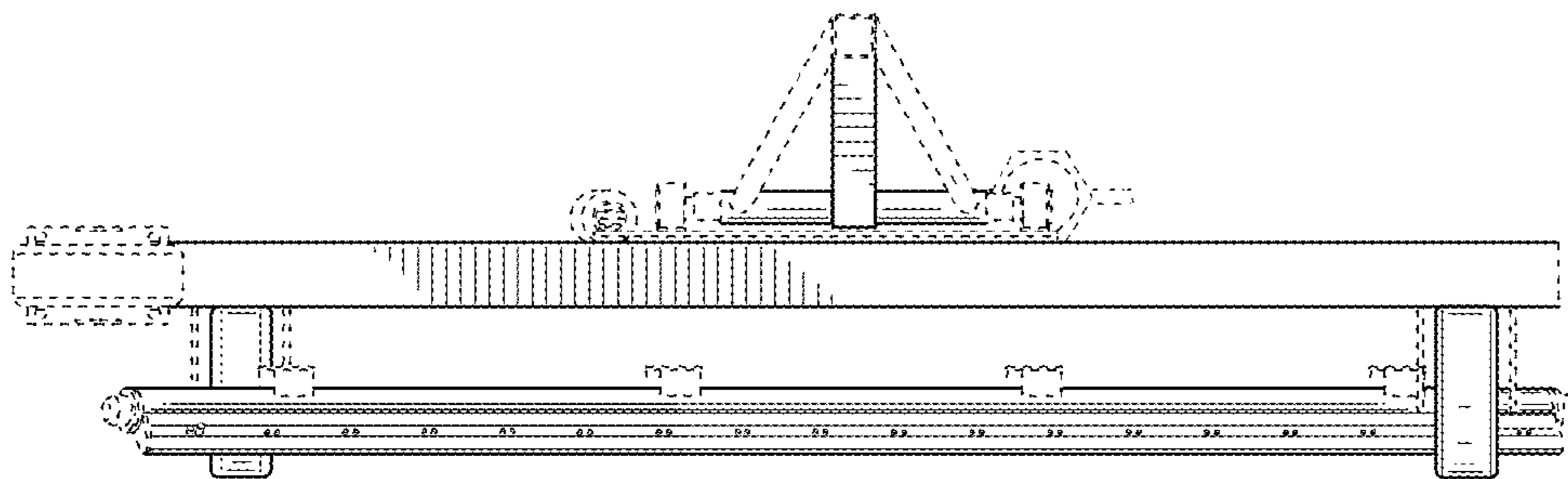


FIG. 3

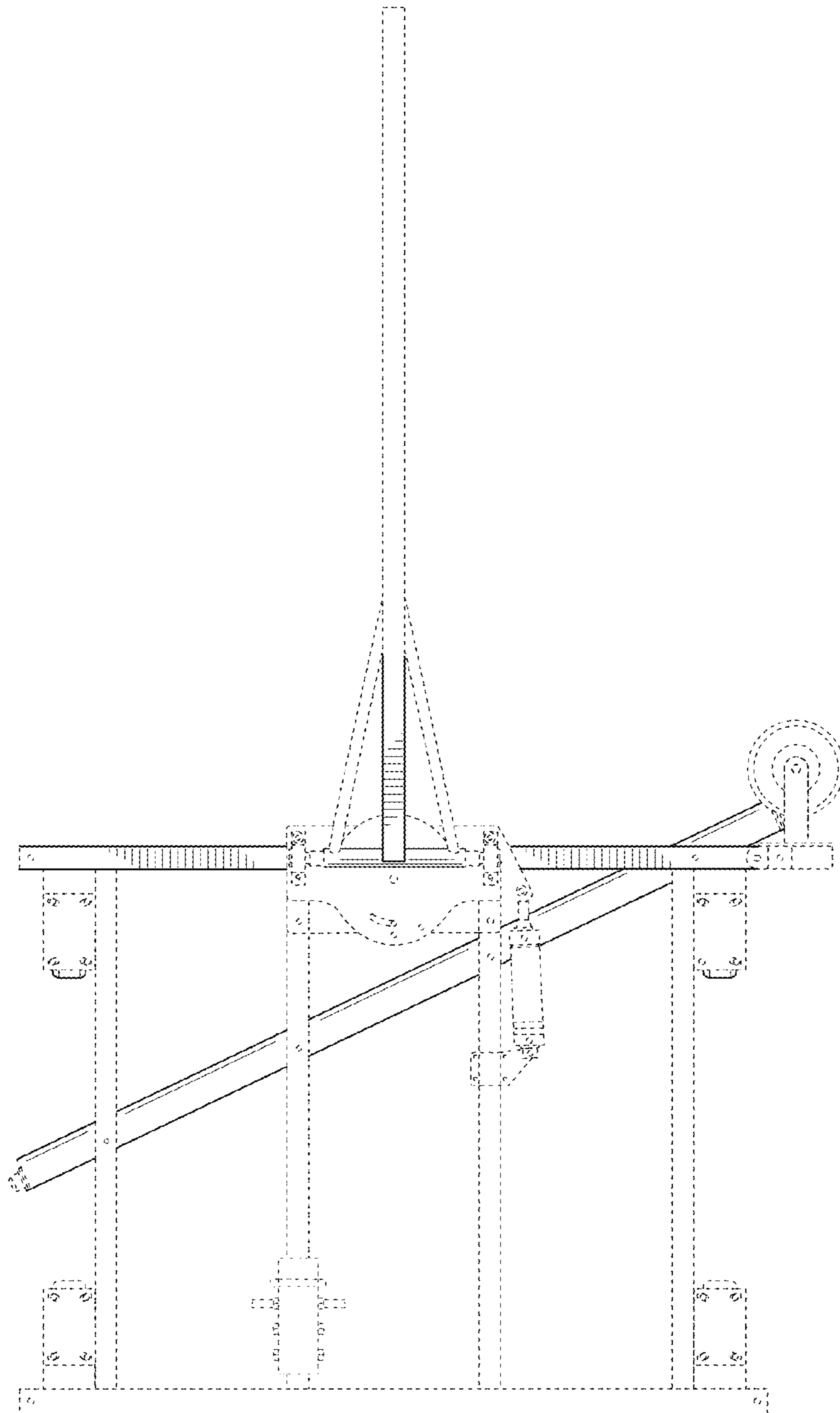


FIG. 4

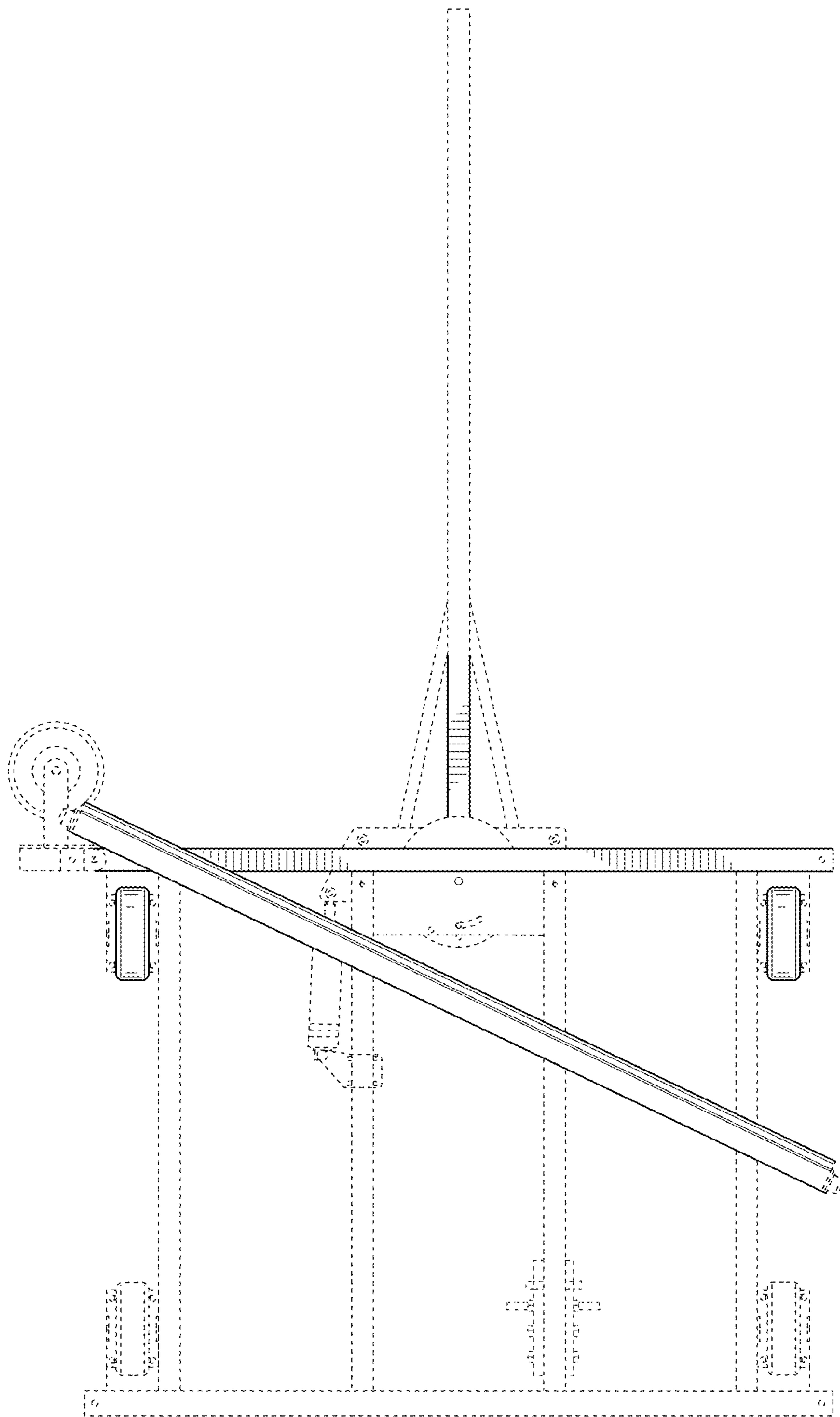


FIG. 5

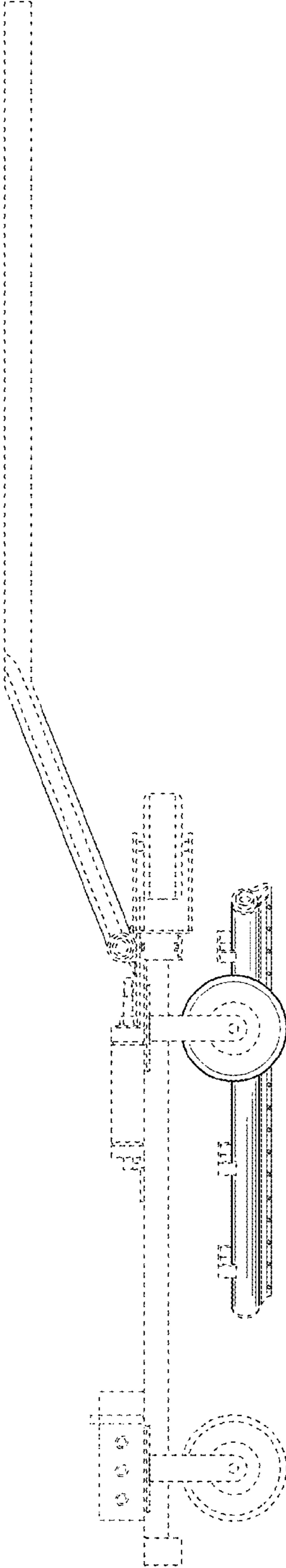


FIG. 6

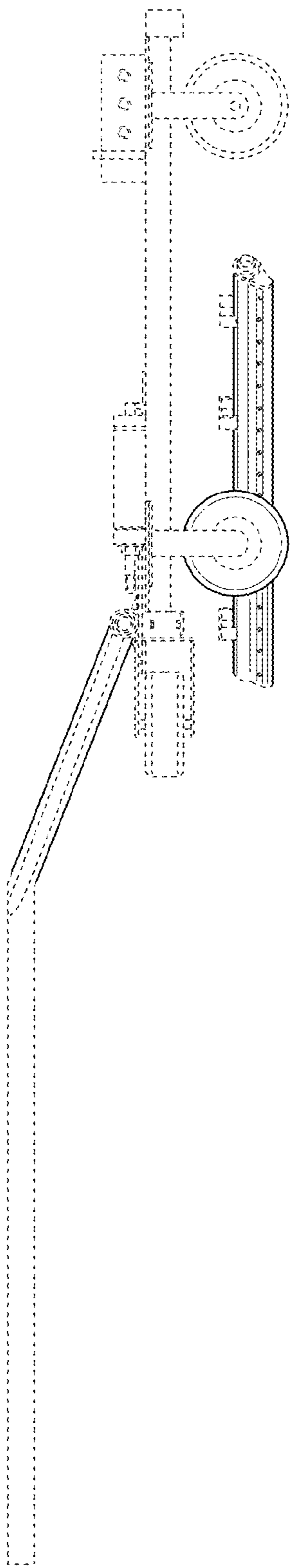


FIG. 7

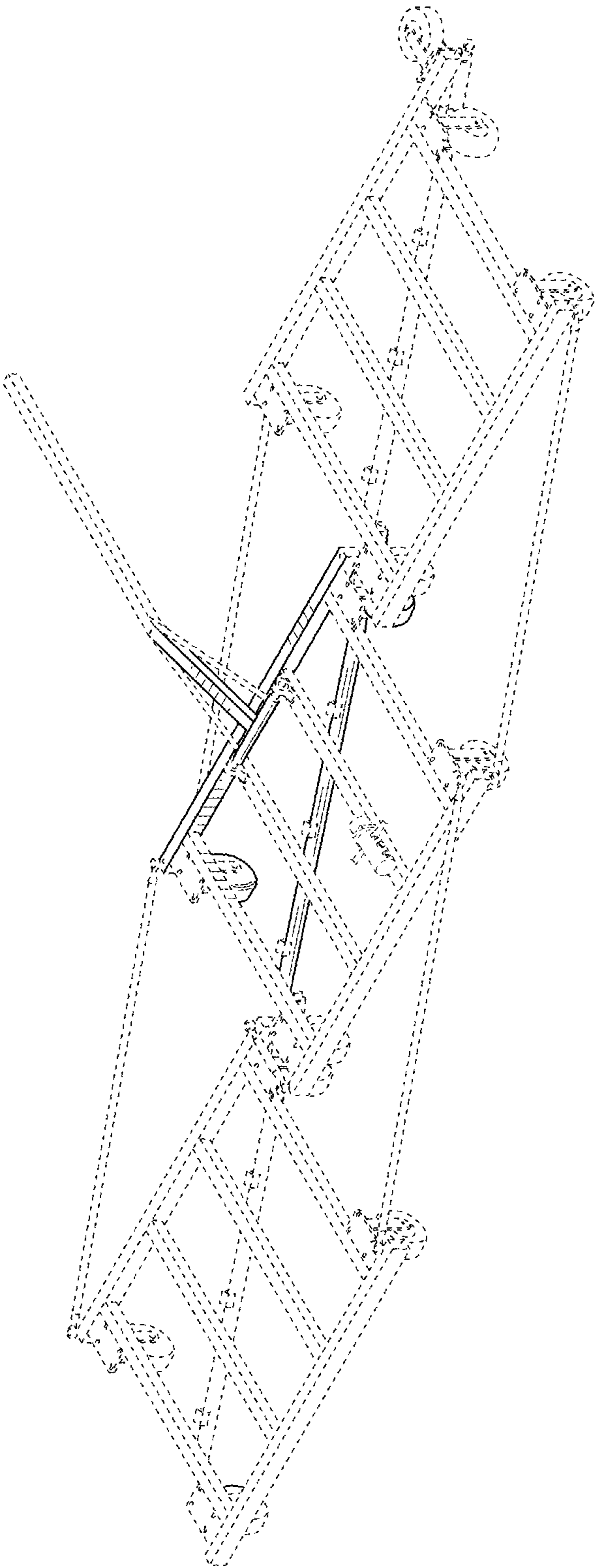


FIG. 8

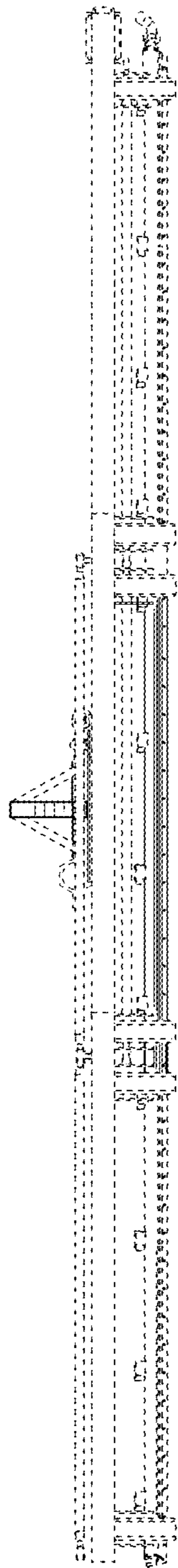


FIG. 9

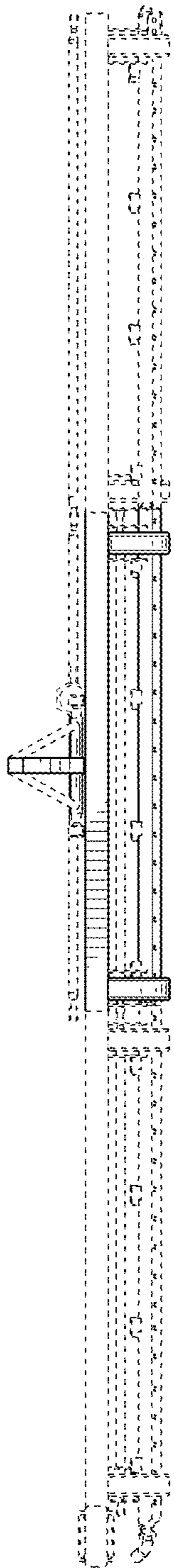
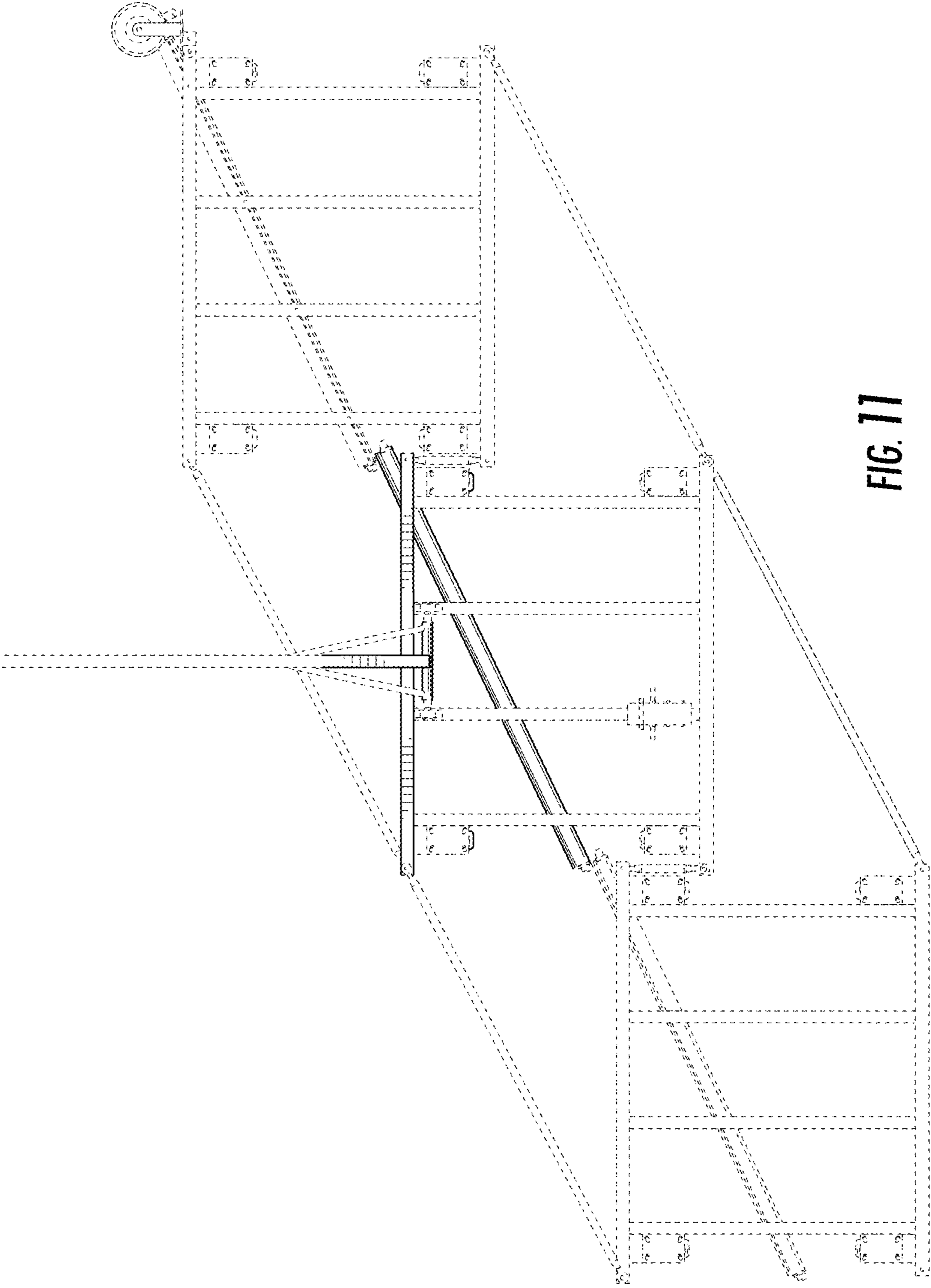


FIG. 10



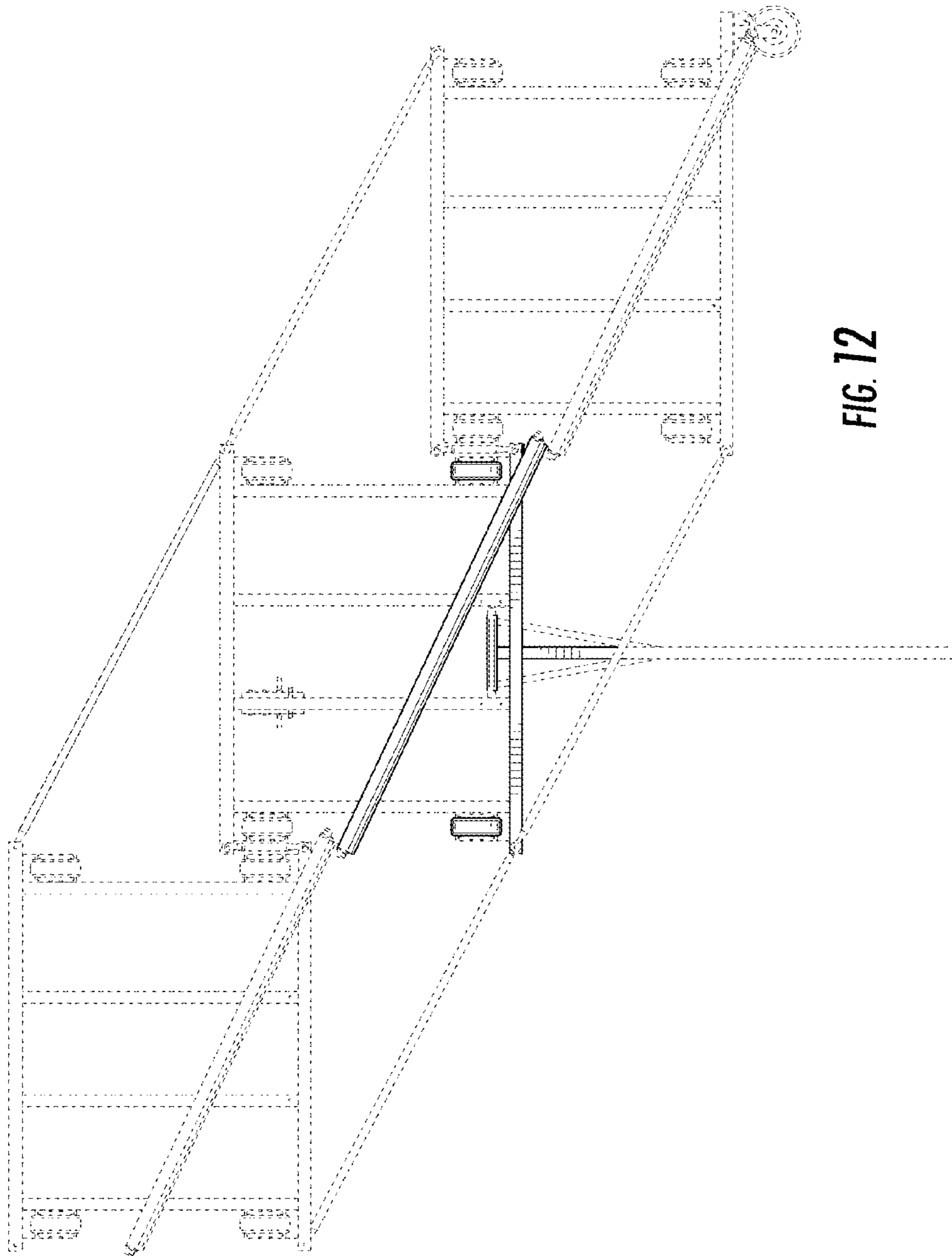


FIG. 12

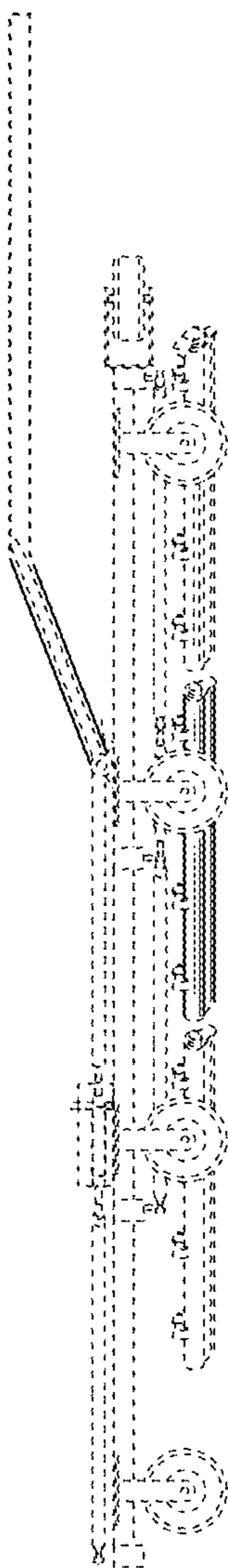


FIG. 13

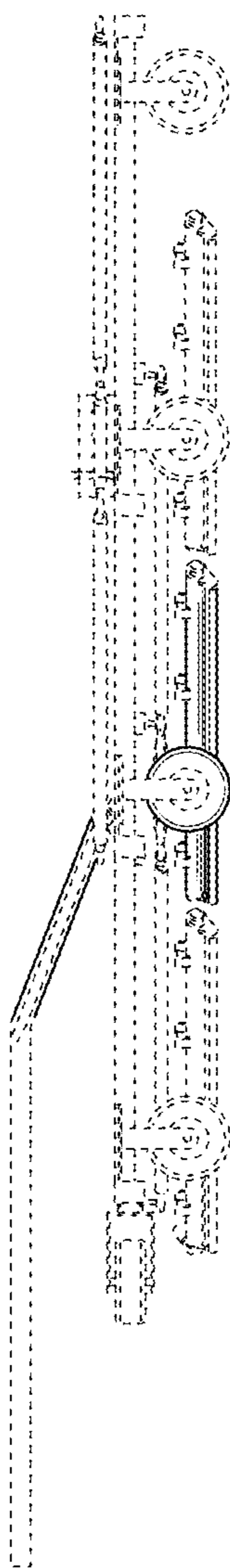


FIG. 14