



US00D740858S

(12) **United States Design Patent**
Dannenberg et al.

(10) **Patent No.:** **US D740,858 S**

(45) **Date of Patent:** **** Oct. 13, 2015**

(54) **OUTBOARD MOTOR**

(71) Applicant: **Brunswick Corporation**, Lake Forest, IL (US)

(72) Inventors: **Todd D. Dannenberg**, Oshkosh, WI (US); **John I. S. Park**, Fond du Lac, WI (US); **John C. Sodano**, North Fond du Lac, WI (US); **Ryan C. Abellera**, Fond du Lac, WI (US); **Piotr Zin**, Newbury Park, CA (US)

(73) Assignee: **Brunswick Corporation**, Lake Forest, IL (US)

(**) Term: **14 Years**

(21) Appl. No.: **29/479,018**

(22) Filed: **Jan. 10, 2014**

(51) **LOC (10) Cl.** **15-01**

(52) **U.S. Cl.**
USPC **D15/4**

(58) **Field of Classification Search**
USPC D15/1-5, 149; 123/195 P; 440/3, 4, 440/88 R, 52; D12/317, 181
See application file for complete search history.

(56) **References Cited**

U.S. PATENT DOCUMENTS

| | | | |
|----------------|---------|--------------------|--------|
| D421,444 S | 3/2000 | Hatch et al. | |
| D428,616 S | 7/2000 | Iekura | |
| D463,448 S | 9/2002 | Osumi et al. | |
| D466,907 S | 12/2002 | Ohsumi | |
| D470,154 S | 2/2003 | Burmeister et al. | |
| D474,784 S * | 5/2003 | Sanschagrín et al. | D15/4 |
| 6,558,213 B1 * | 5/2003 | McGowan | 440/76 |
| D486,500 S | 2/2004 | Okamoto | |
| D495,716 S * | 9/2004 | Sanschagrín et al. | D15/4 |
| D498,764 S * | 11/2004 | Sanschagrín et al. | D15/4 |
| D528,128 S * | 9/2006 | Sanschagrín et al. | D15/4 |

| | | | |
|----------------|---------|--------------------|--------|
| D528,563 S * | 9/2006 | Sanschagrín et al. | D15/4 |
| D531,639 S * | 11/2006 | Okamoto | D15/4 |
| D531,640 S | 11/2006 | Okamoto | |
| D536,704 S | 2/2007 | Iekura | |
| D537,838 S | 3/2007 | Iekura | |
| 7,210,973 B2 * | 5/2007 | Sanschagrín et al. | 440/77 |
| D549,240 S | 8/2007 | Okamoto | |
| D584,317 S | 1/2009 | Okamoto | |
| D611,063 S | 3/2010 | Okamoto | |
| D623,661 S | 9/2010 | Yamagishi et al. | |
| D643,440 S | 8/2011 | Dannenberg et al. | |
| D709,918 S * | 7/2014 | Jones, Sr. | D15/4 |
| D714,345 S * | 9/2014 | Petit et al. | D15/4 |

* cited by examiner

Primary Examiner — T. Chase Nelson

Assistant Examiner — Ania Aman

(74) *Attorney, Agent, or Firm* — Eric D. Bublitz

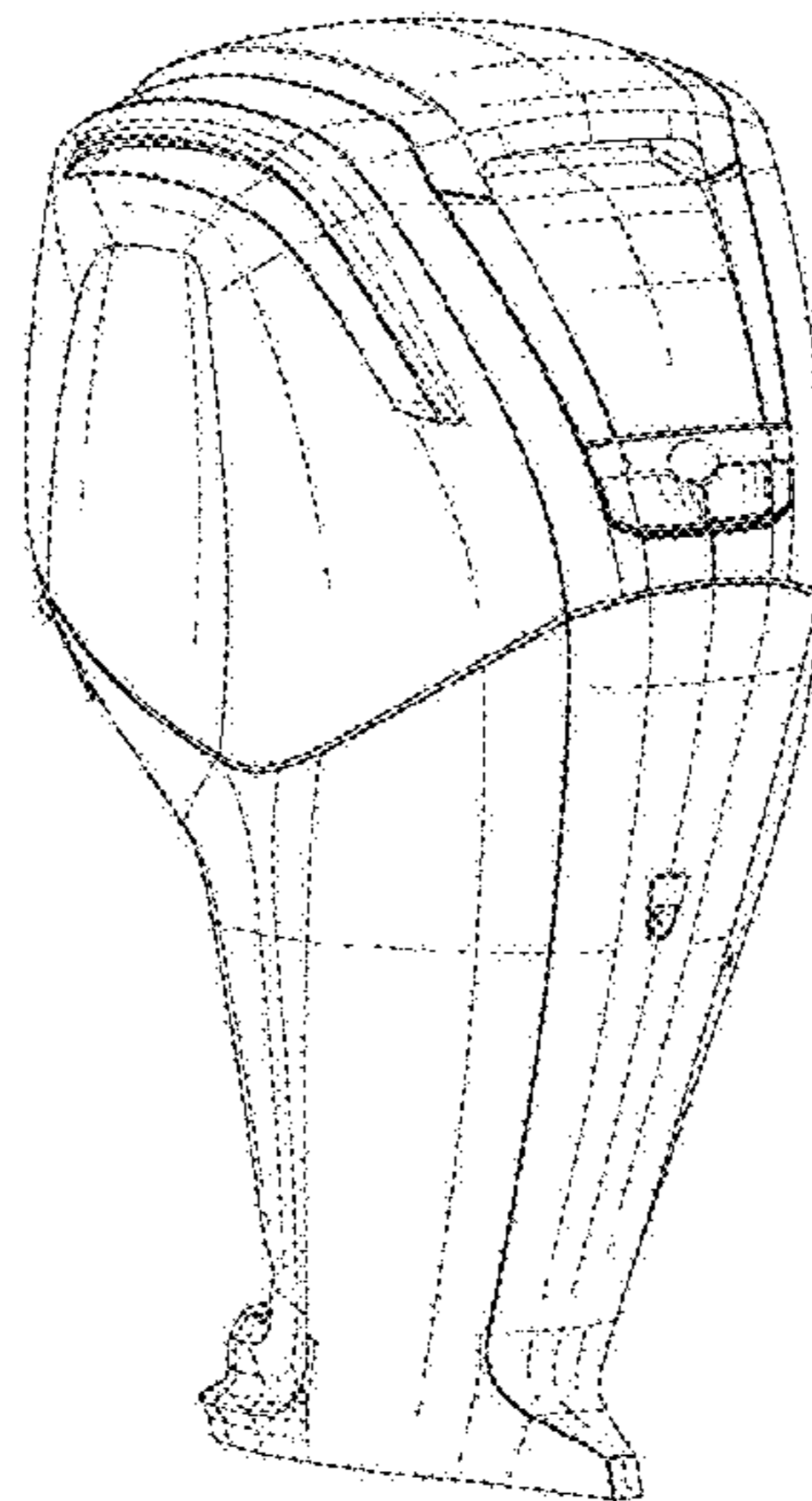
(57) **CLAIM**

The ornamental design for an outboard motor, as shown and described.

DESCRIPTION

FIG. 1 is a rear perspective view of an outboard motor showing our new design;
 FIG. 2 is a front perspective view of an outboard motor showing our new design;
 FIG. 3 is a rear view of an outboard motor showing our design;
 FIG. 4 is a front view of an outboard motor showing our design;
 FIG. 5 is a right side view of an outboard motor showing our design;
 FIG. 6 is a left side view of an outboard motor showing our design;
 FIG. 7 is a top view of an outboard motor showing our design;
 and,
 FIG. 8 is a bottom view of an outboard motor showing our design.

1 Claim, 8 Drawing Sheets



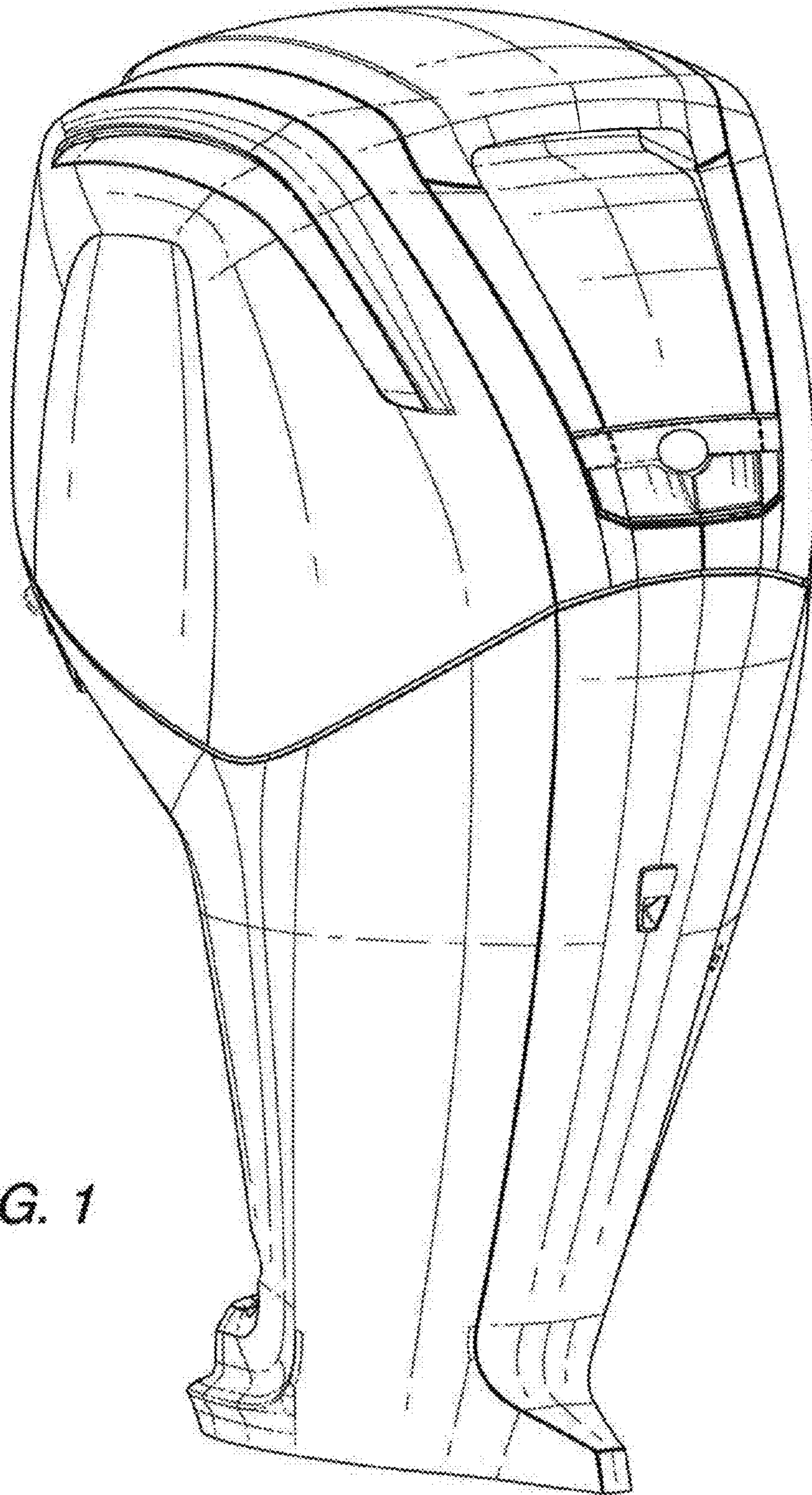


FIG. 1

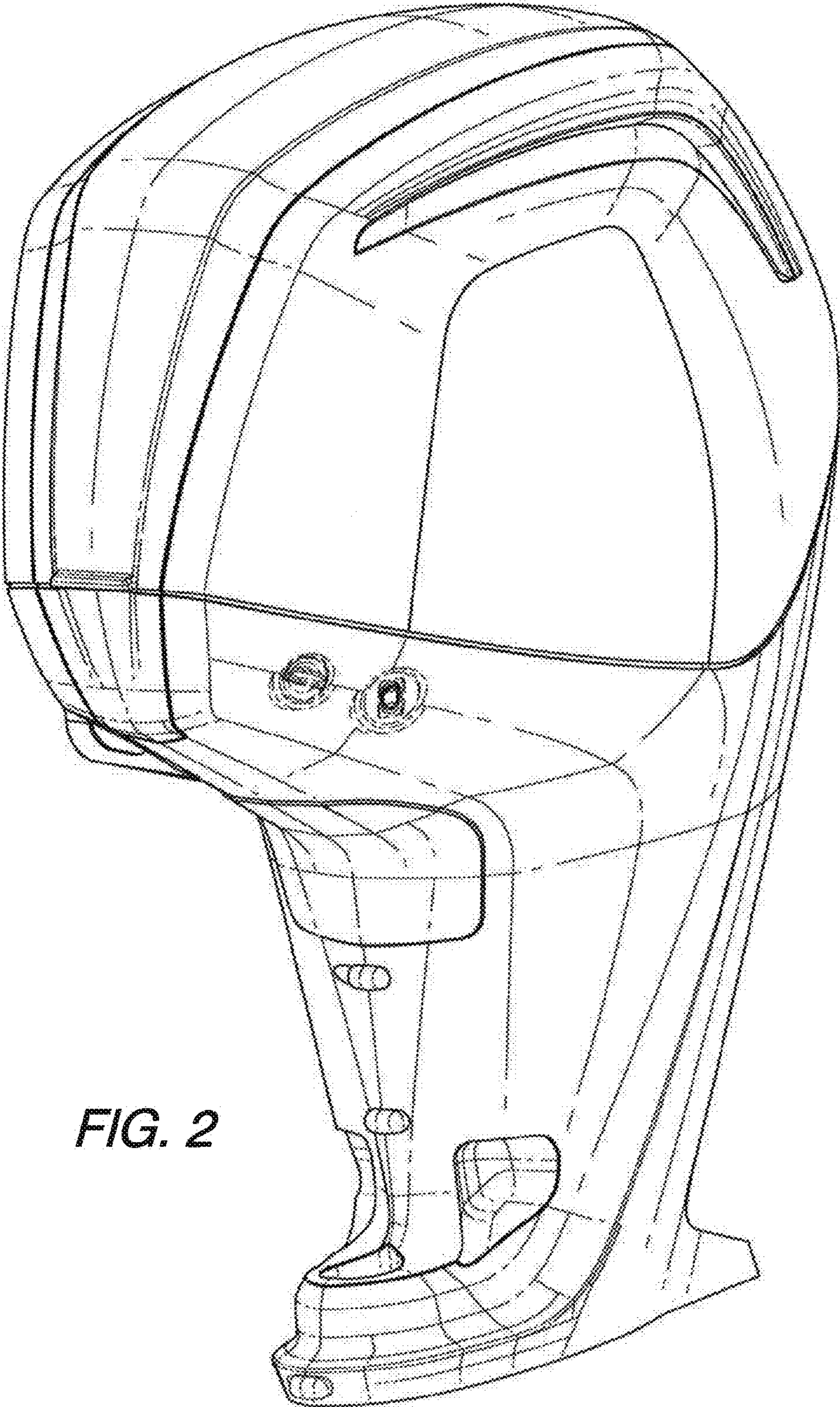


FIG. 2

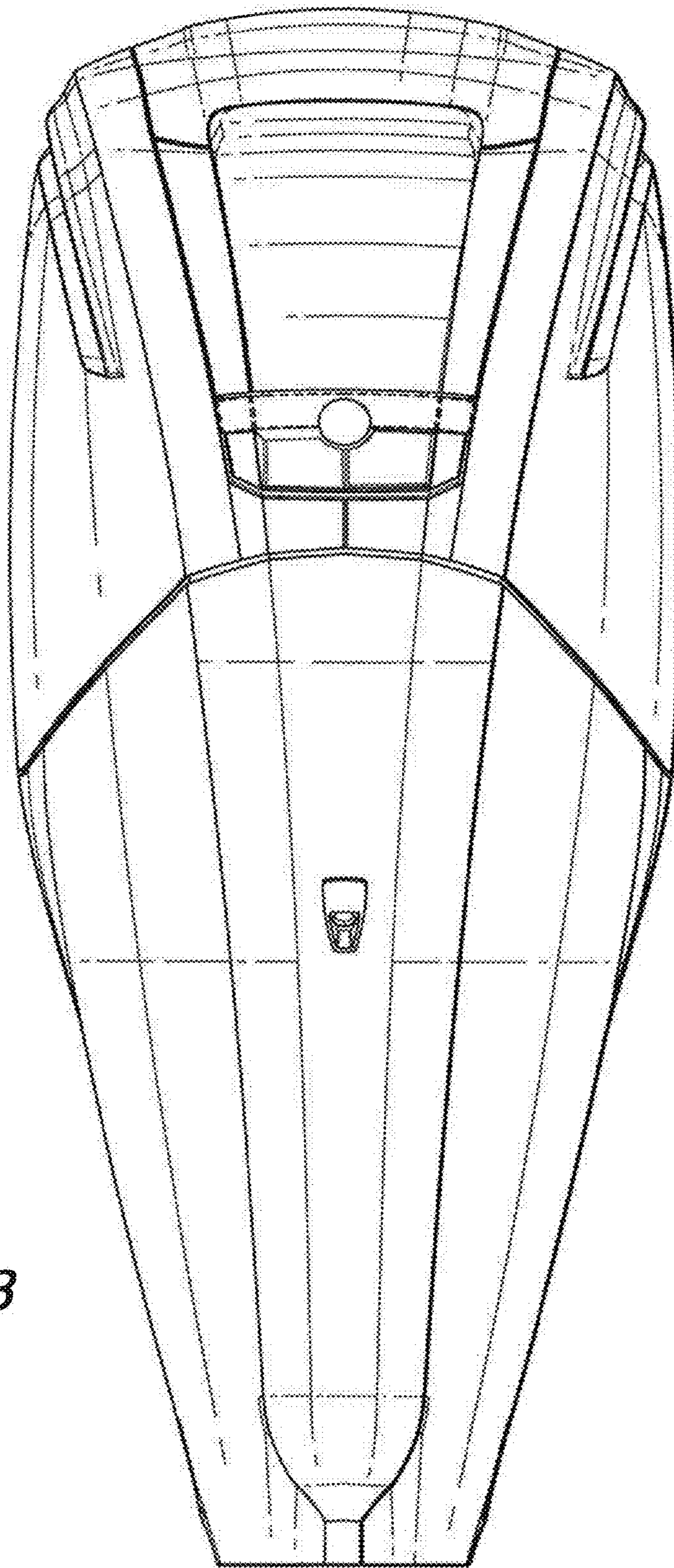


FIG. 3

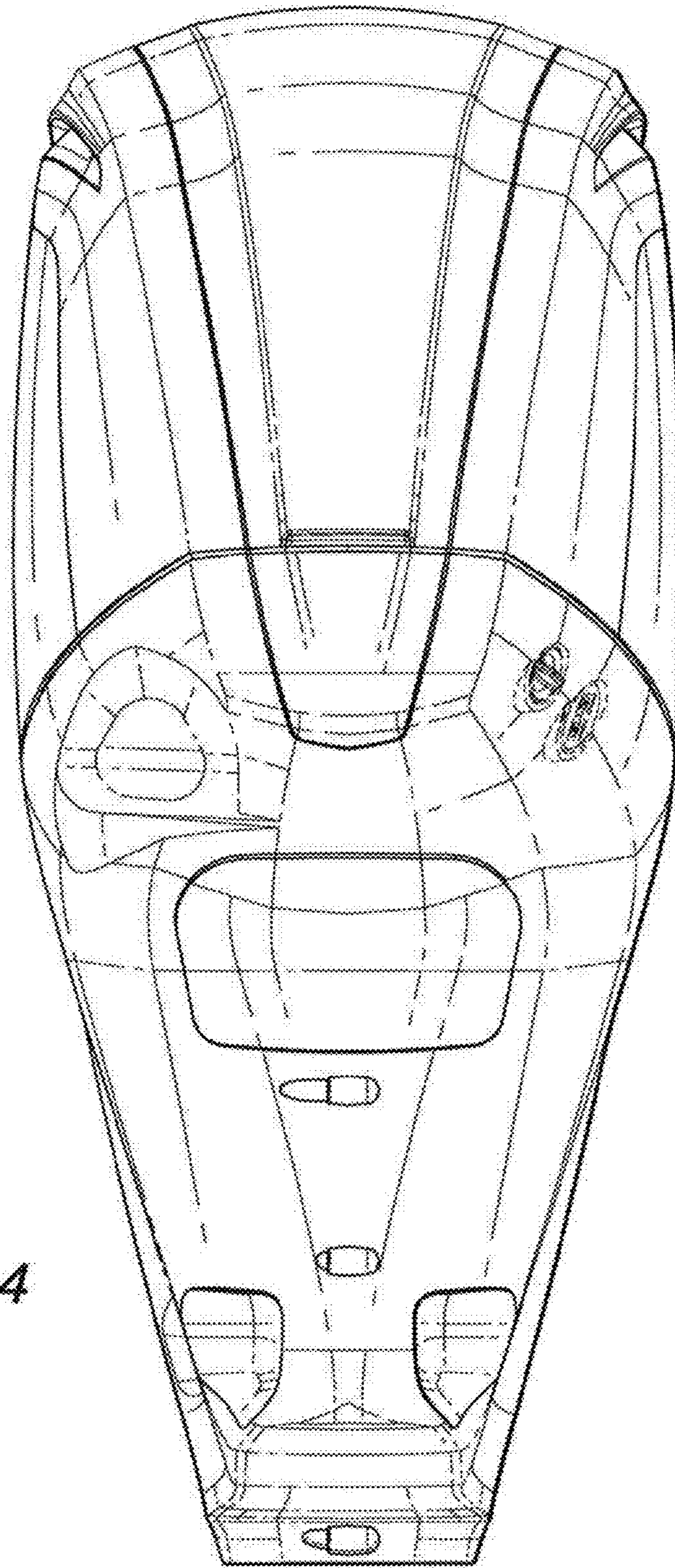


FIG. 4

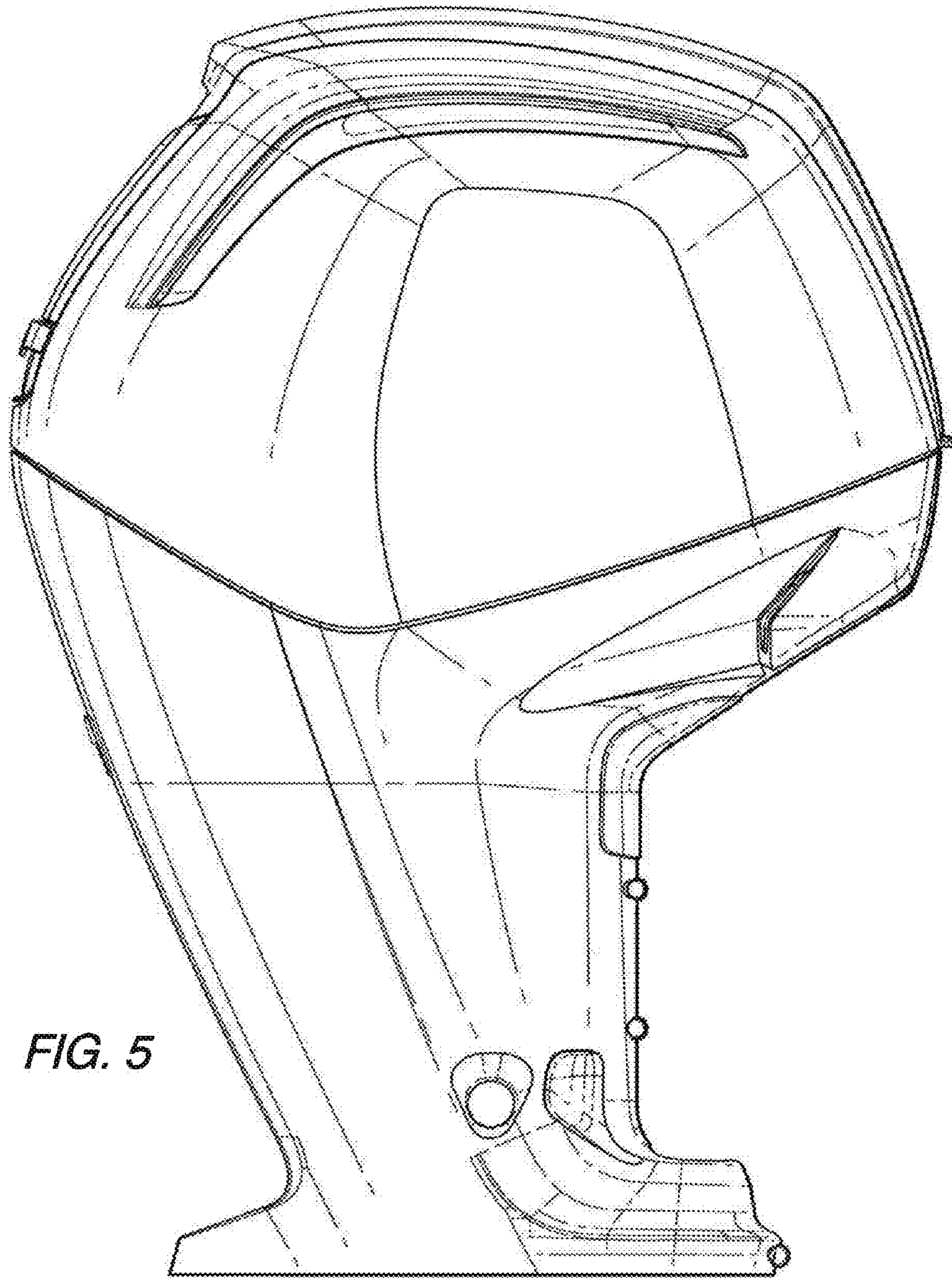


FIG. 5

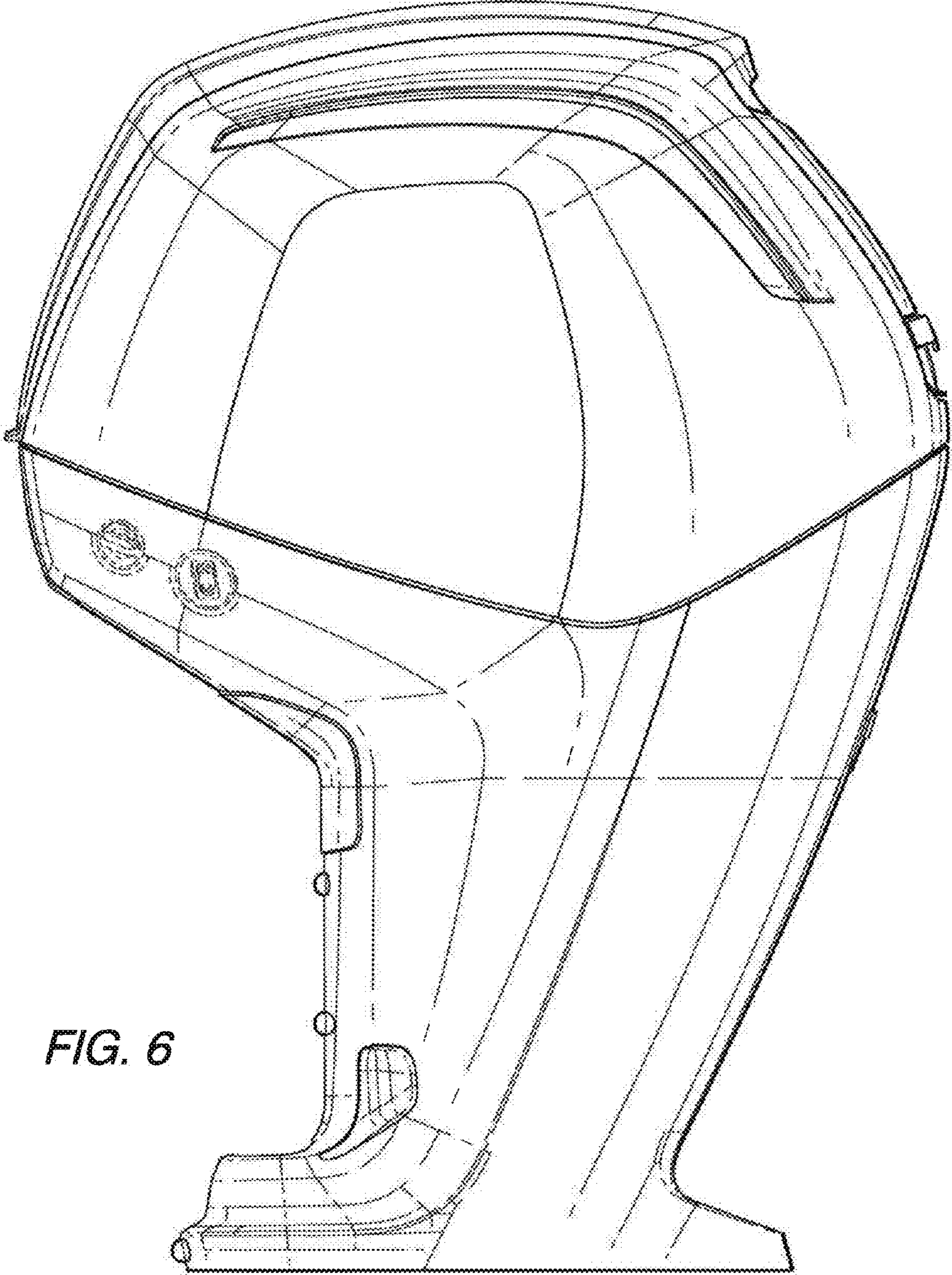


FIG. 6

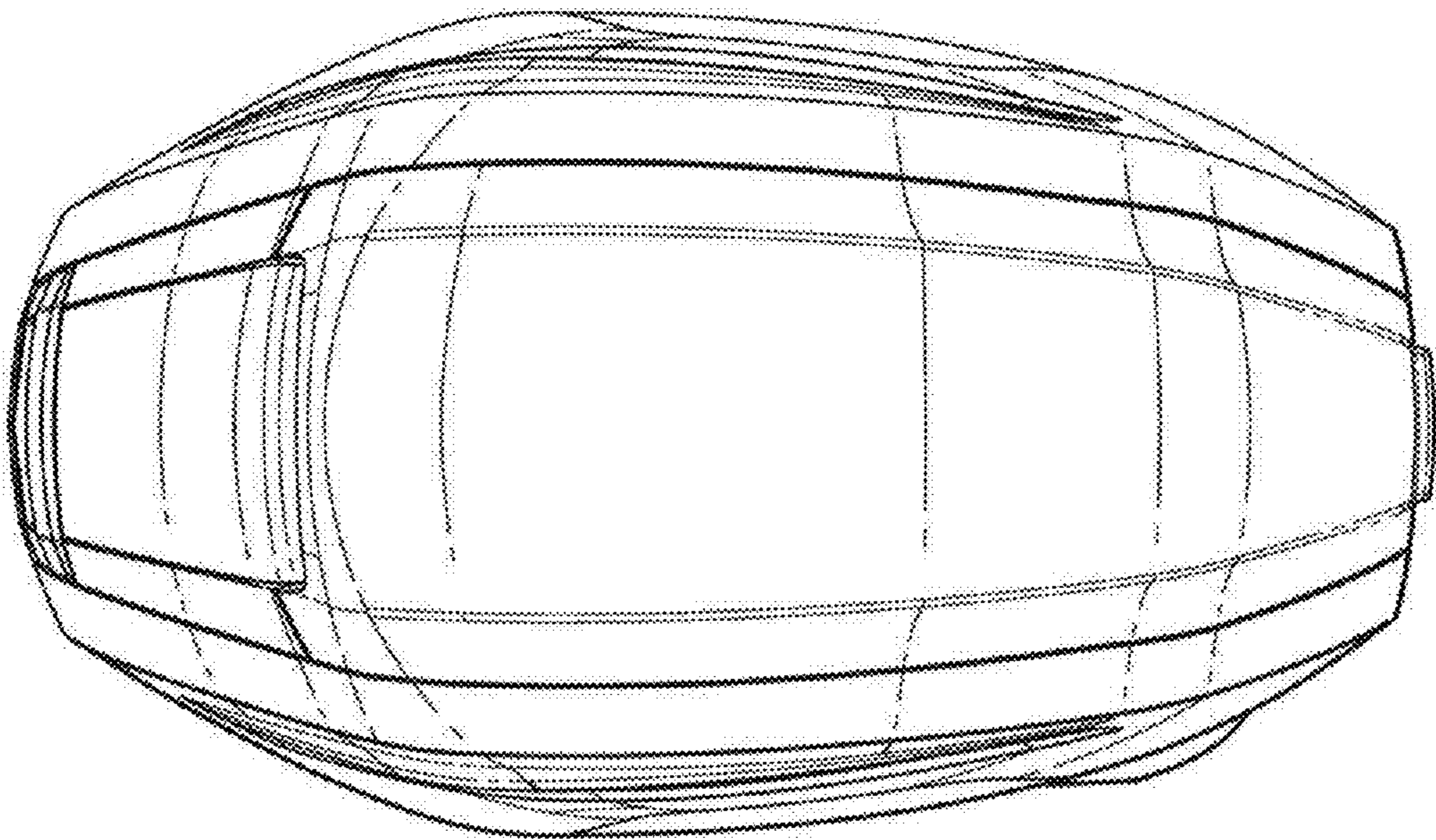


FIG. 7

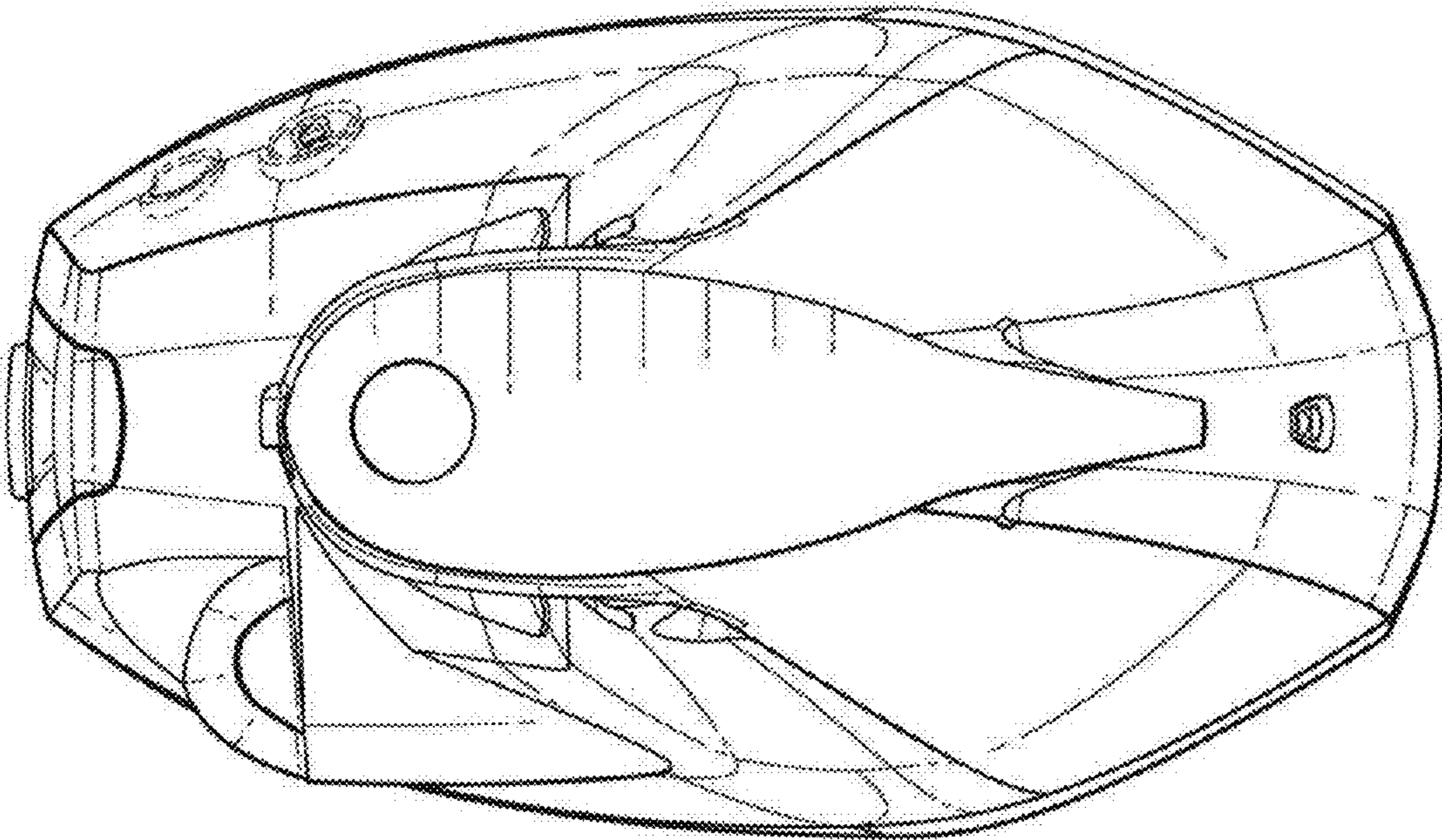


FIG. 8