



US00D740830S

(12) **United States Design Patent**
Chu

(10) **Patent No.:** **US D740,830 S**

(45) **Date of Patent:** **** Oct. 13, 2015**

(54) **MONITOR ARM**

(71) Applicant: **Eastern Global Corporation**, New Taipei (TW)

(72) Inventor: **Leo Chu**, New Taipei (TW)

(73) Assignee: **EASTERN GLOBAL CORPORATION**, New Taipei (TW)

(**) Term: **14 Years**

(21) Appl. No.: **29/471,979**

(22) Filed: **Nov. 7, 2013**

(51) **LOC (10) Cl.** **08-07**

(52) **U.S. Cl.**
USPC **D14/452**

(58) **Field of Classification Search**
USPC D14/371–382, 125–129, 336, 337, D14/447–452, 492, 335, 239, 457, 439–441, D14/432, 251–253; D8/349, 354, 363, 373, D8/376, 380; D21/333; D12/415; D3/218; 348/180, 184, 325, 739, 825; 248/323, 248/278.1, 286.1

CPC G06F 3/0412; G06F 3/016; G06F 3/0488; G06F 3/011; G06F 3/038; G06F 3/03543; G06F 3/0338; G06F 3/0202; G06F 3/0219; G06F 3/0213; G06F 1/1616; G06F 3/023; G06F 3/04883; G02F 1/13338; G02F 1/1313; G02F 1/1333; G02F 1/135; G02F 1/132; G02F 1/133308; G02F 1/134309; G02F 1/13718; G09G 3/3648; G06K 15/1252; B41J 2/465; G03F 7/70291; G02B 27/0172; G02B 5/30; G02B 2027/0118; G02B 27/0101; F16M 13/02; F16M 13/00; F16M 11/10; F16M 11/04; F16M 2200/08; F16M 11/2021; A47B 21/0314; A47B 88/044; A47B 2021/0335; H02G 3/126; F16B 47/00; F16B 47/006; A47G 1/17; A47K 2201/00

See application file for complete search history.

(56) **References Cited**

U.S. PATENT DOCUMENTS

6,695,270	B1 *	2/2004	Smed	248/274.1
7,243,892	B2 *	7/2007	Pfister	248/371
7,264,212	B2 *	9/2007	Hung	248/282.1
7,338,022	B2 *	3/2008	Hung	248/278.1
7,389,965	B2 *	6/2008	Oddsens et al.	248/274.1
7,472,458	B2 *	1/2009	Oddsens, Jr.	16/255
7,694,927	B2 *	4/2010	Chuang	248/276.1
8,070,114	B2 *	12/2011	Chen	248/121
D654,503	S *	2/2012	Sapper	D14/452
8,366,060	B2 *	2/2013	Hung	248/124.1
D679,282	S *	4/2013	Liu et al.	D14/452
D688,674	S *	8/2013	Lau et al.	D14/452
8,720,838	B2 *	5/2014	Bowman et al.	248/292.13
8,777,172	B2 *	7/2014	Sapper et al.	248/274.1
8,931,748	B2 *	1/2015	Bowman et al.	248/280.11
9,027,894	B2 *	5/2015	Sapper et al.	248/274.1
2007/0040084	A1 *	2/2007	Sturman et al.	248/280.11
2007/0139870	A1 *	6/2007	Lin	361/681
2008/0029661	A1 *	2/2008	Chen	248/176.1
2008/0067317	A1 *	3/2008	Altonji et al.	248/604

* cited by examiner

Primary Examiner — Deanna L Pratt

Assistant Examiner — Katie Mroczka

(74) *Attorney, Agent, or Firm* — Jackson IPG PLLC; Demian K. Jackson

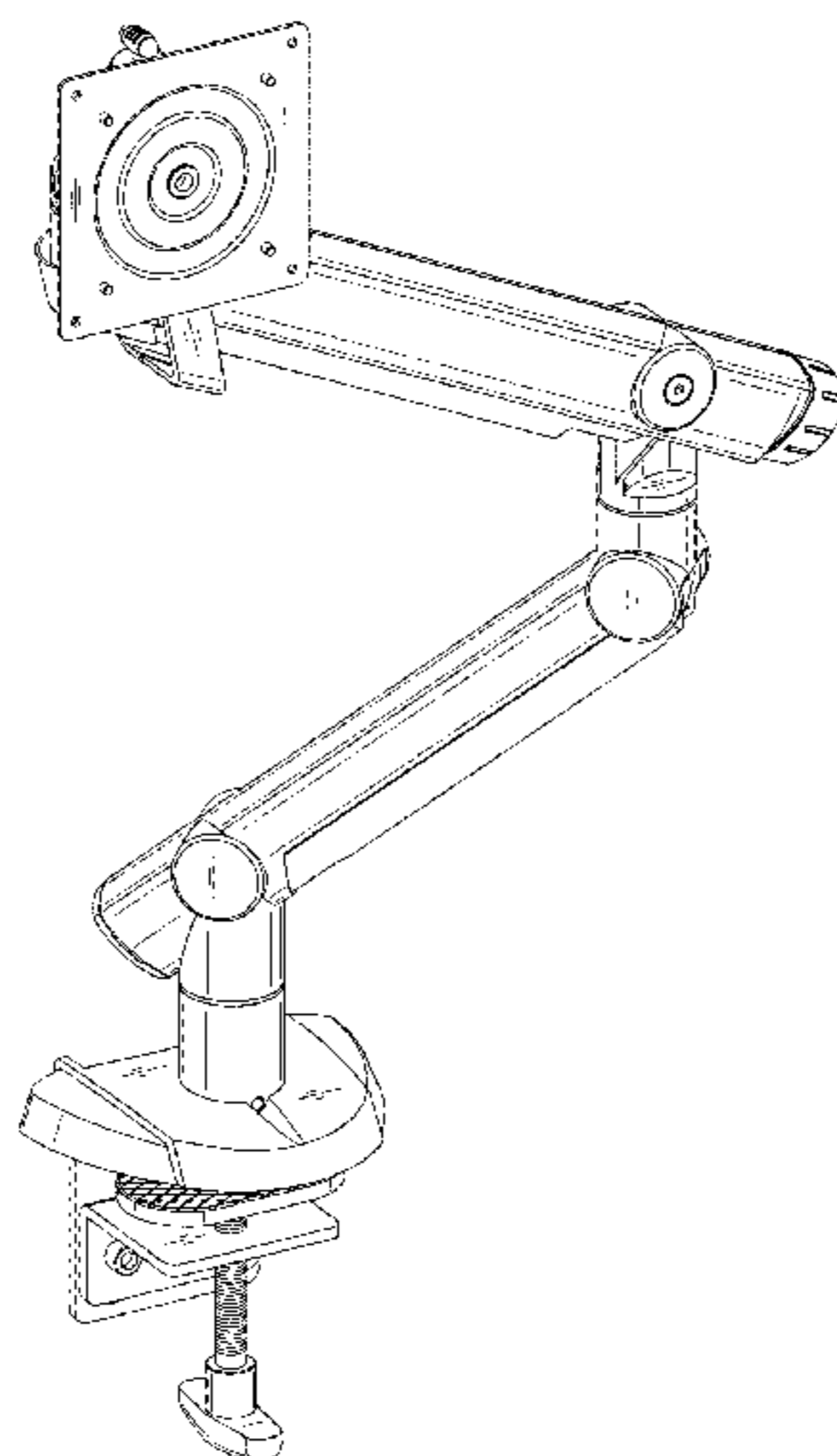
(57) **CLAIM**

The ornamental design for a monitor arm, as shown and described.

DESCRIPTION

FIG. 1 is a perspective view of a monitor arm showing my new design;
FIG. 2 is a front elevational view thereof;
FIG. 3 is a rear elevational view thereof;
FIG. 4 is a top plan view thereof;
FIG. 5 is a bottom plan view thereof;
FIG. 6 is a left side elevational view thereof;
FIG. 7 is a right side elevational view thereof; and,
FIG. 8 is a perspective view from other view.

1 Claim, 7 Drawing Sheets



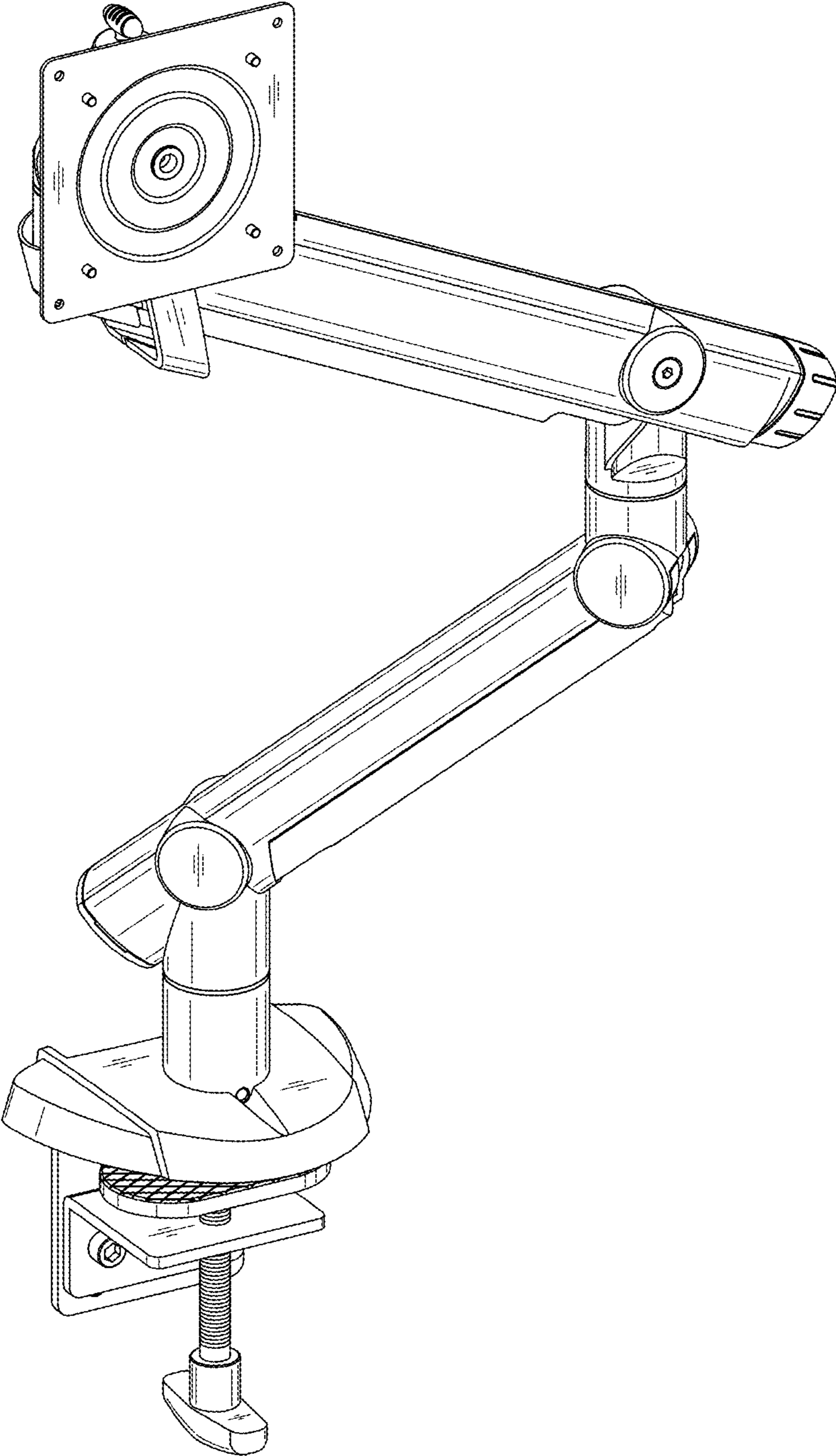


Fig. 1

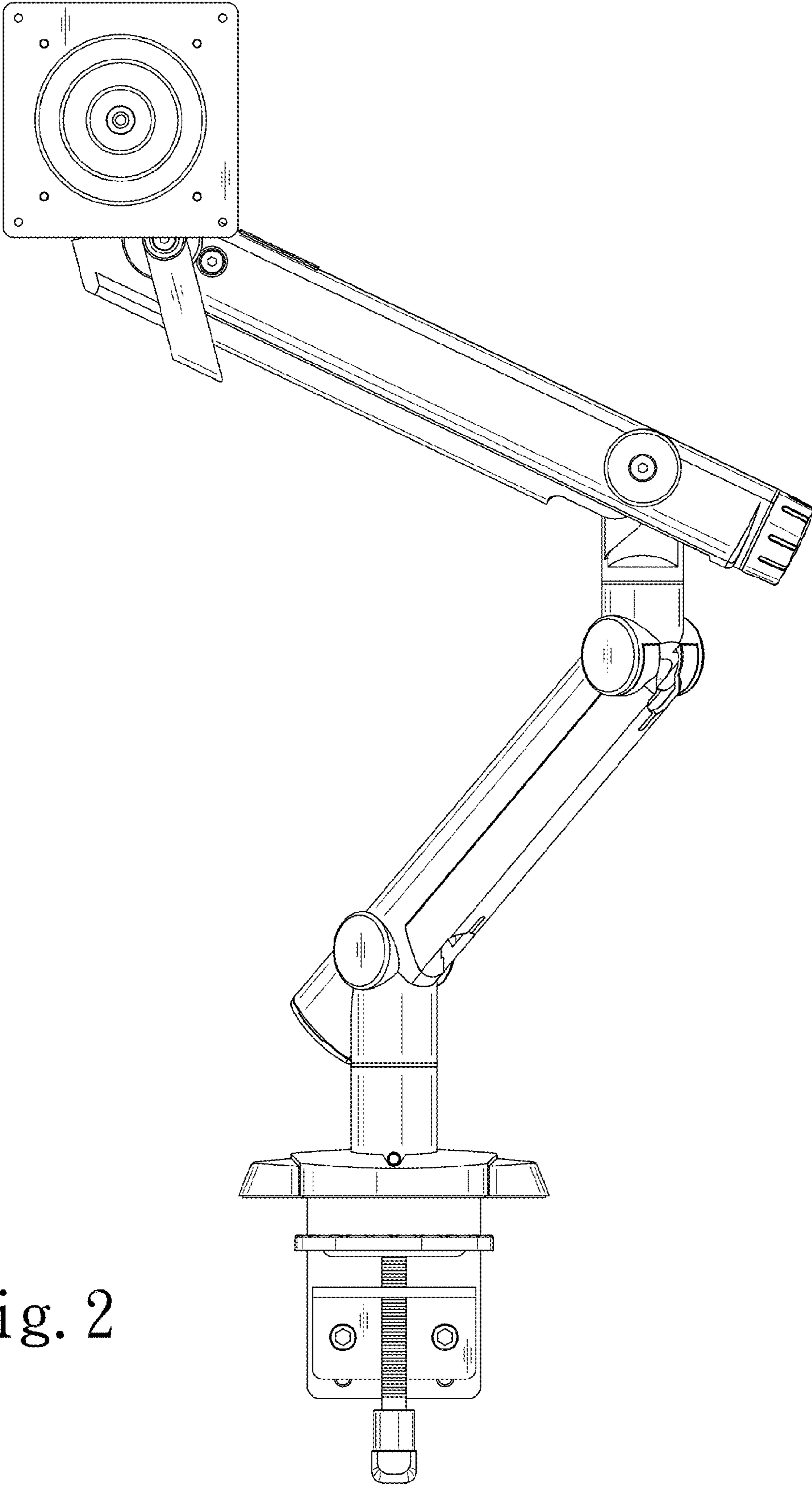


Fig. 2

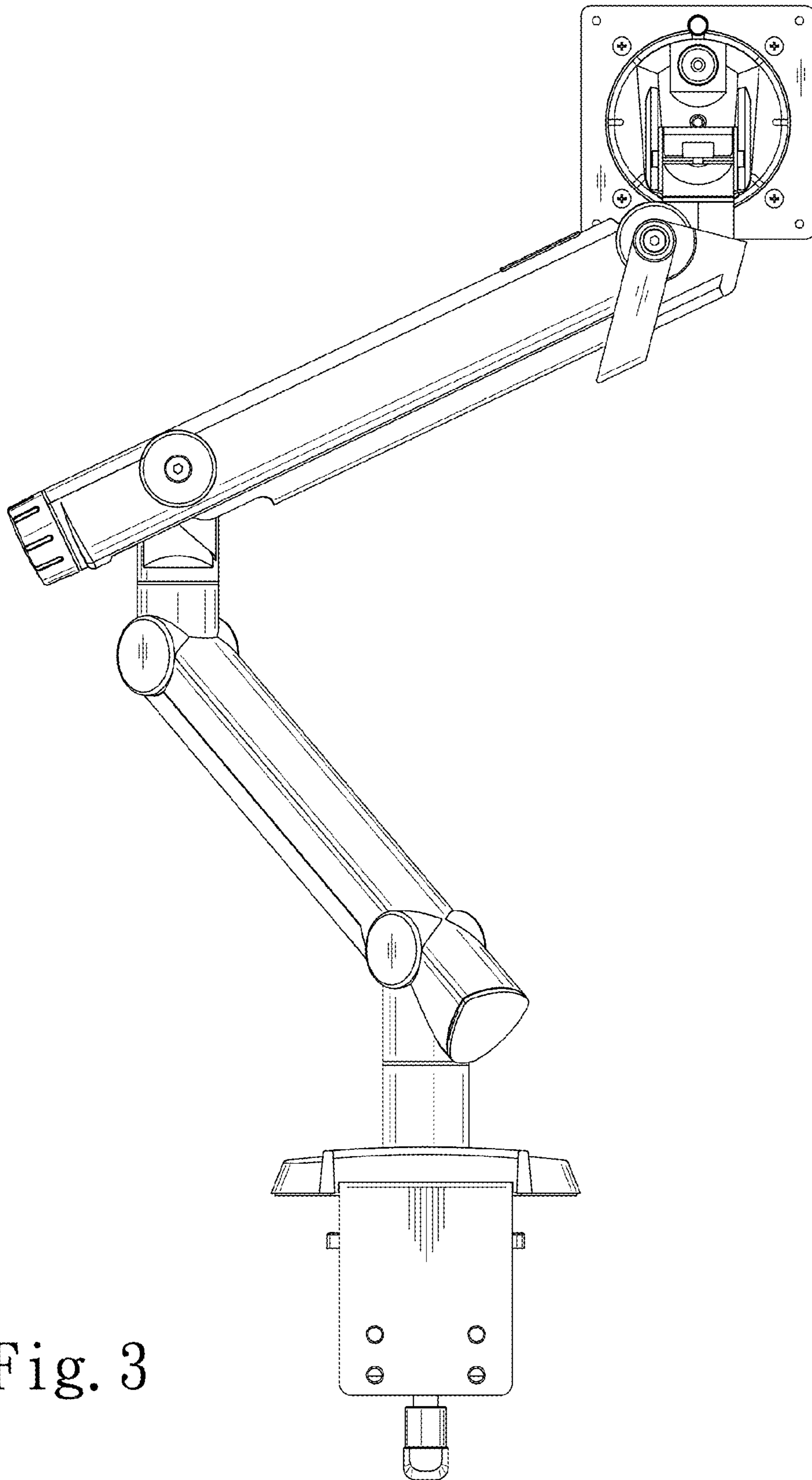


Fig. 3

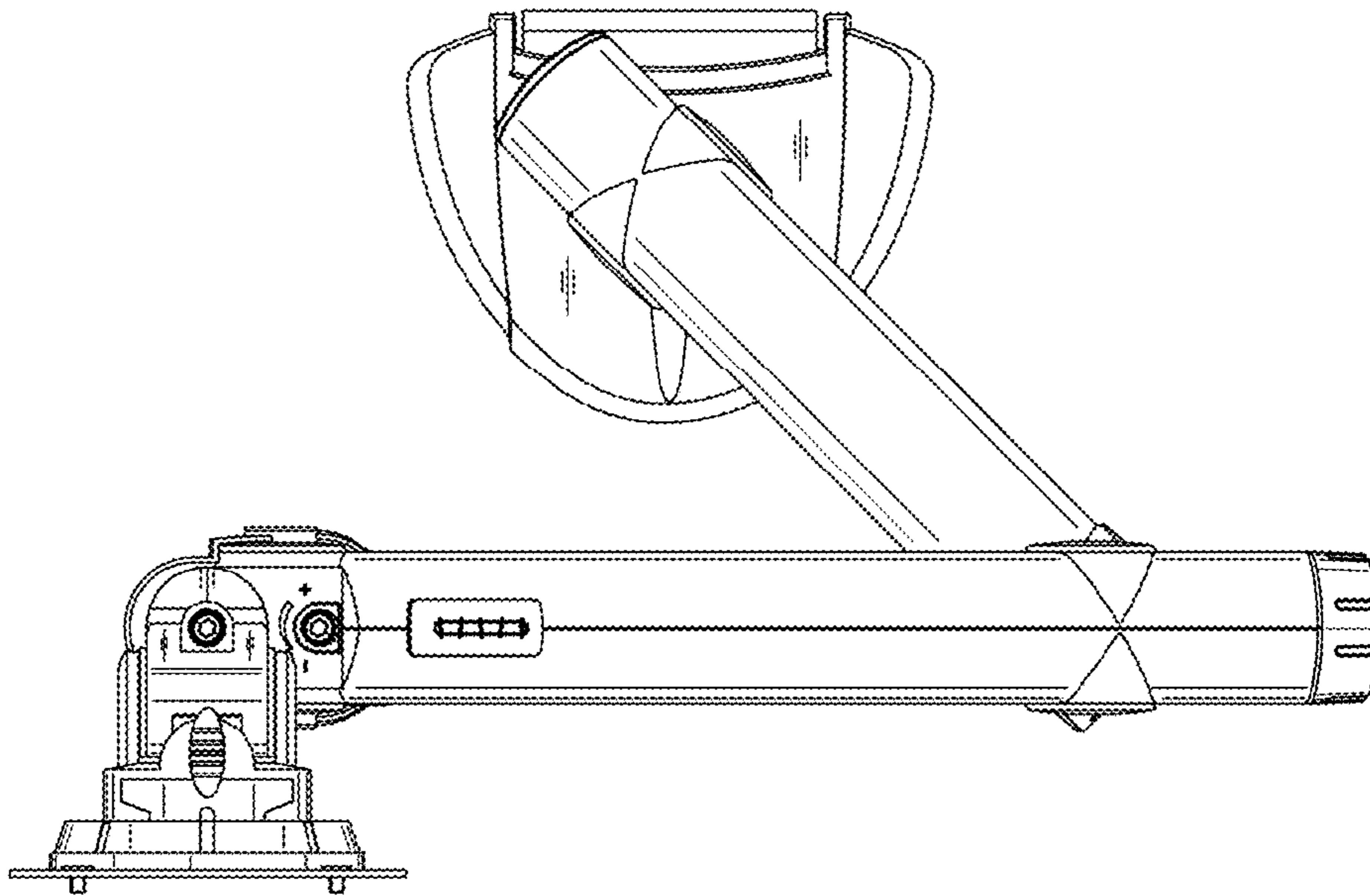


Fig. 4

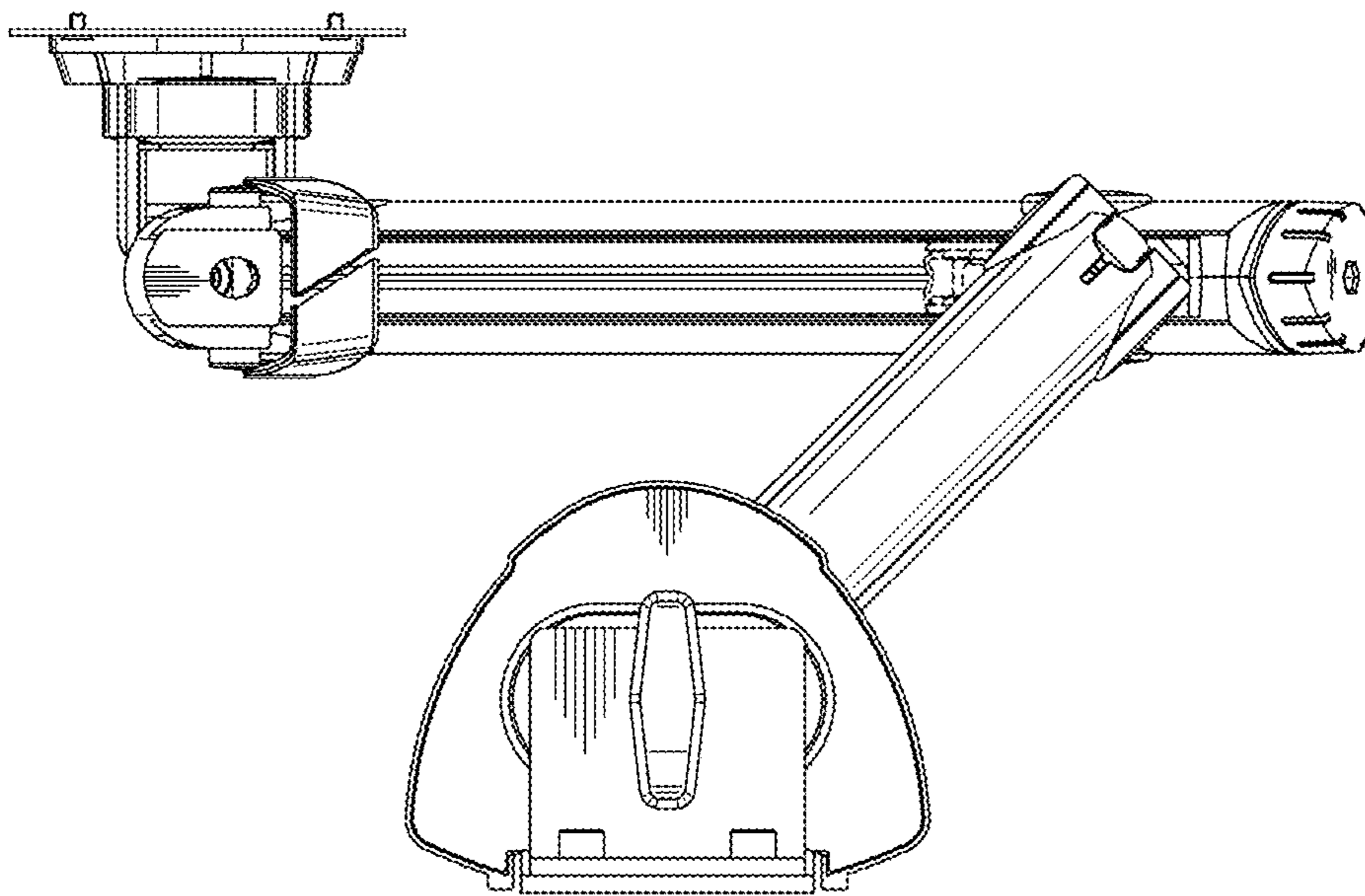


Fig. 5

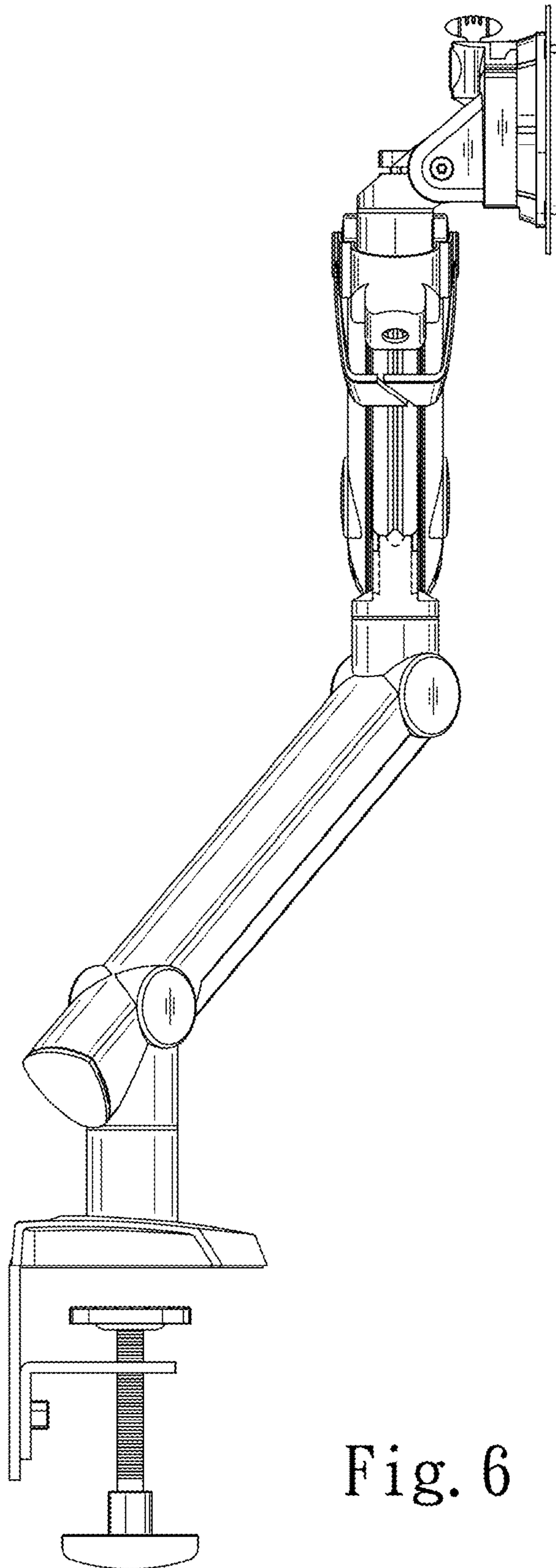


Fig. 6

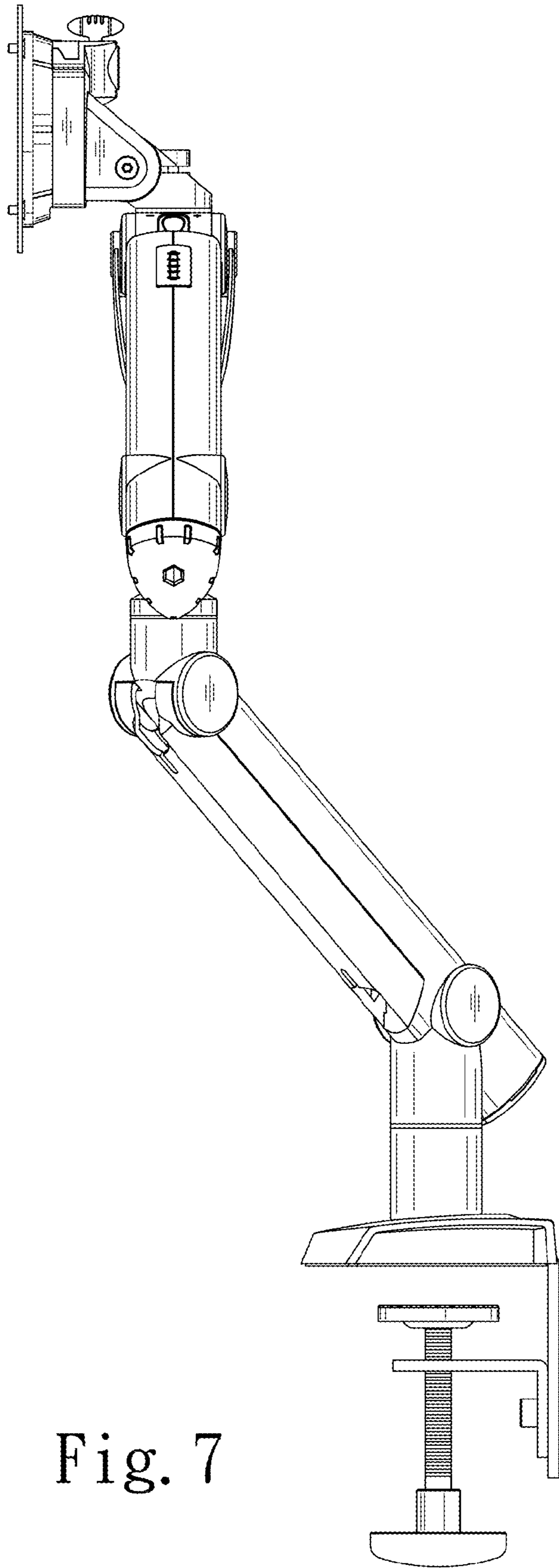


Fig. 7

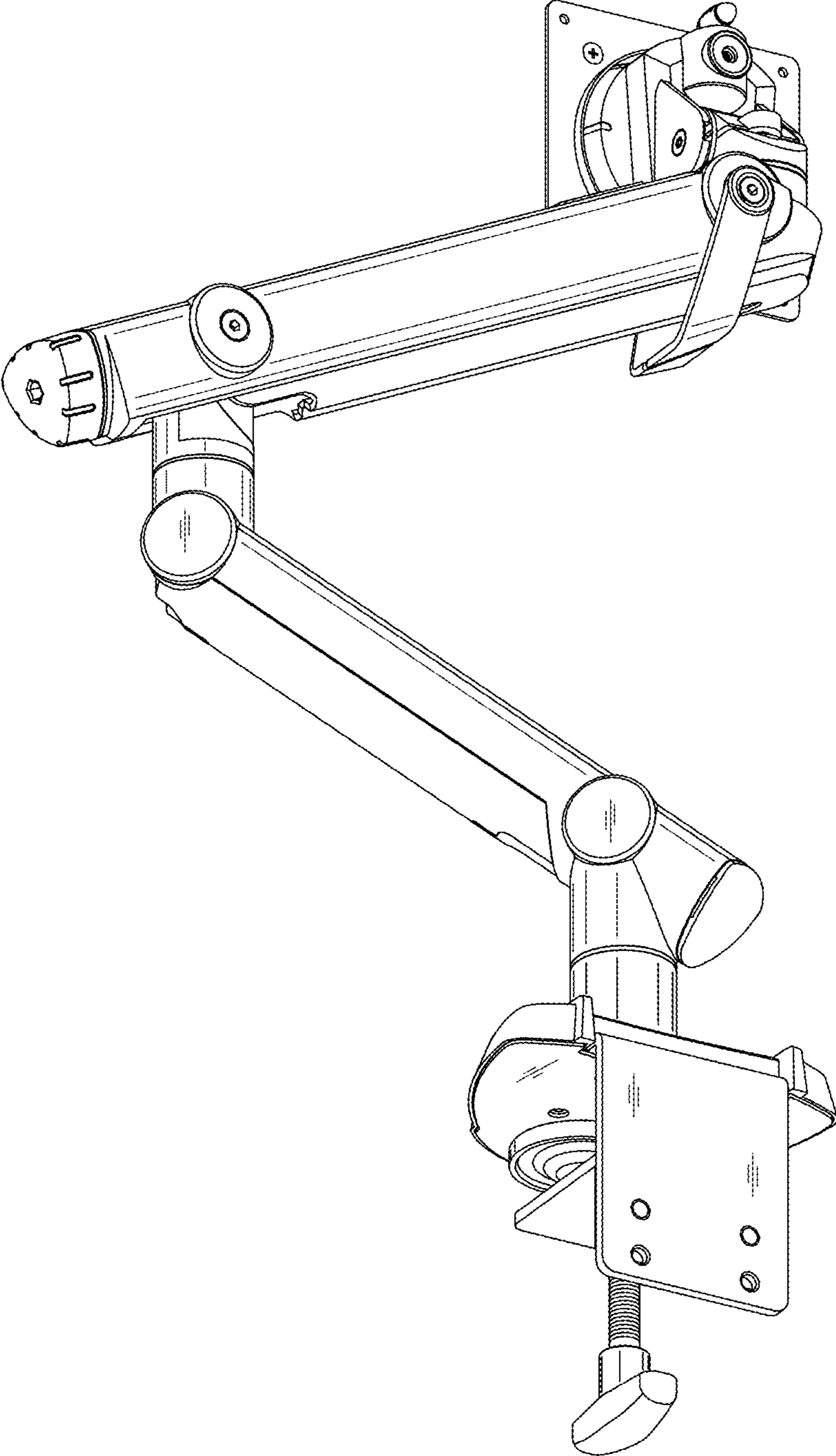


Fig. 8