



US00D740829S

(12) **United States Design Patent**
Feldstein et al.

(10) **Patent No.:** **US D740,829 S**
(45) **Date of Patent:** **** Oct. 13, 2015**

(54) **MULTI-POSITION UNDER-CABINET MOUNTED CONTROL SYSTEM FOR A PORTABLE TOUCH SCREEN DEVICE**

(71) Applicants: **George Feldstein**, Cresskill, NJ (US);
Jeffrey Ausfeld, New York, NY (US)

(72) Inventors: **George Feldstein**, Cresskill, NJ (US);
Jeffrey Ausfeld, New York, NY (US)

(73) Assignee: **Crestron Electronics Inc.**, Rockleigh, NJ (US)

(**) Term: **14 Years**

(21) Appl. No.: **29/475,235**

(22) Filed: **Dec. 2, 2013**

Related U.S. Application Data

(60) Division of application No. 29/443,544, filed on Jan. 18, 2013, now Pat. No. Des. 697,516, which is a continuation of application No. 13/610,316, filed on Sep. 11, 2012.

(51) **LOC (10) Cl.** **08-07**

(52) **U.S. Cl.**
USPC **D14/447**

(58) **Field of Classification Search**
USPC D14/447, 432, 433, 439, 440, 451, 452, D14/239, 217, 224.1, 251, 252, 253, 457, D14/458, 459, 460, 461, 434, 205, 209.1, D14/223; D6/406.1, 406.2, 406.3, 406.4, D6/406.5, 406.6; D12/415; 361/679.09, 361/679.21, 679.22, 679.24, 679.26, 361/679.27, 679.28, 679.3, 679.55, 679.56, 361/709; 248/917-924, 133, 136, 139, 150, 248/176.1, 188.6; D13/108, 110; D8/363; D21/333

See application file for complete search history.

(56) **References Cited**

U.S. PATENT DOCUMENTS

D394,432 S *	5/1998	Rosen	D14/132
D457,506 S *	5/2002	Scribner	D14/132
D485,812 S *	1/2004	Park	D14/132
D559,839 S *	1/2008	Vitito	D14/239
D619,079 S *	7/2010	Bailo	D12/416
D650,783 S *	12/2011	Ausfeld et al.	D14/434
D654,077 S *	2/2012	Radin et al.	D14/434
D657,361 S *	4/2012	Goodwin et al.	D14/434
D660,304 S *	5/2012	Vroom et al.	D14/434
D670,295 S *	11/2012	Prescott et al.	D14/447
D697,516 S *	1/2014	Feldstein et al.	D14/447
D709,511 S *	7/2014	Sparks et al.	D14/447
2005/0029420 A1 *	2/2005	Schroeter	248/278.1

* cited by examiner

Primary Examiner — Angela J Lee

(74) *Attorney, Agent, or Firm* — Crestron Electronics Inc.

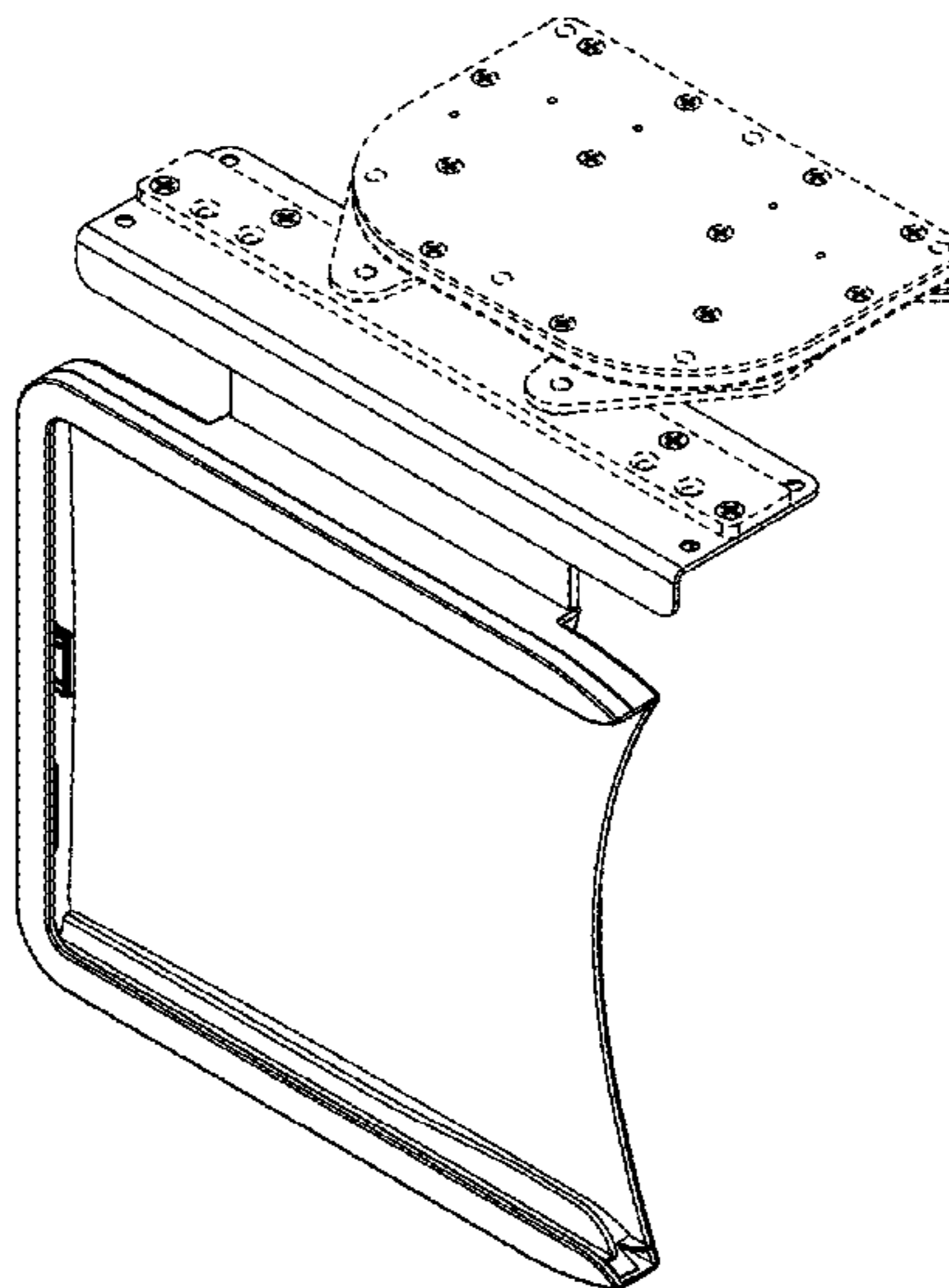
(57) **CLAIM**

The ornamental design for a multi-position under-cabinet mounted control system for a portable touch screen device, as shown and described.

DESCRIPTION

FIG. 1 is an isometric view of a multi-position under-cabinet mounted control system for a portable touch screen device. FIG. 2 is a right side elevational view thereof. FIG. 3 is a front side elevational view thereof. FIG. 4 is a left side elevational view thereof. FIG. 5 is a rear side elevational view thereof. FIG. 6 is a bottom side elevational view thereof; and, FIG. 7 is a right side elevational view of the under-cabinet mounted control system for a portable touch screen device in a folded or closed position.

1 Claim, 7 Drawing Sheets



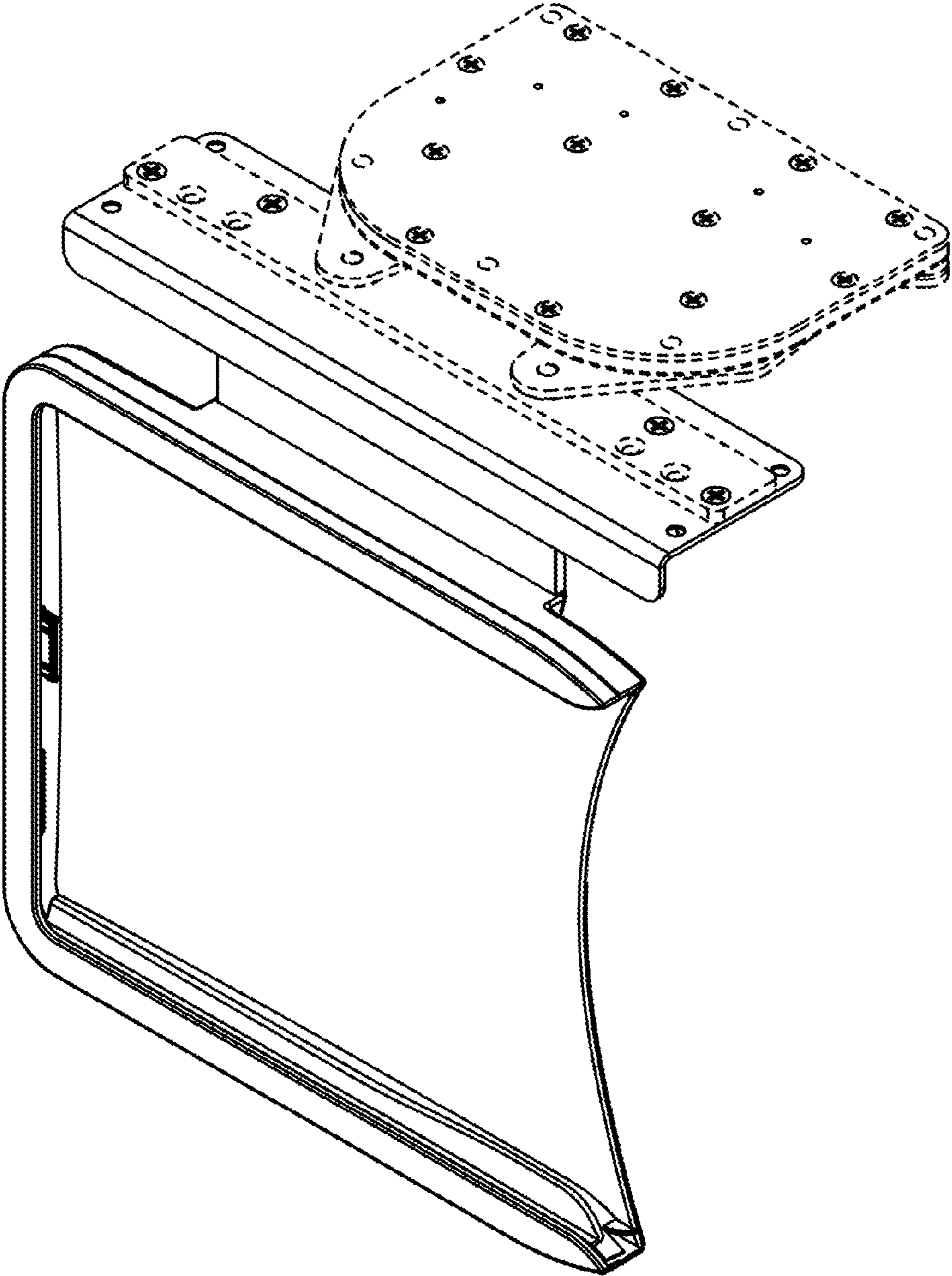


Fig. 1

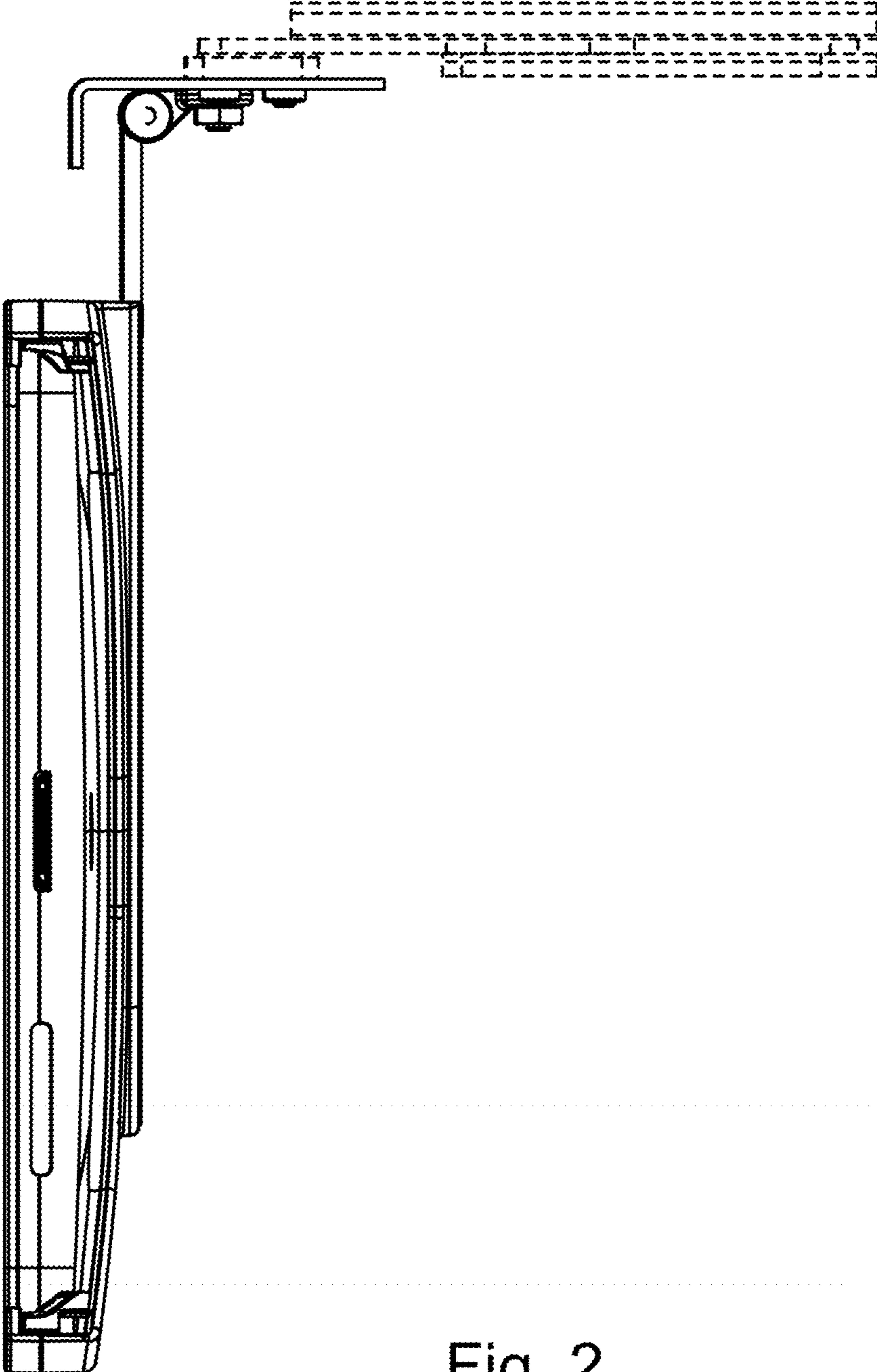


Fig. 2

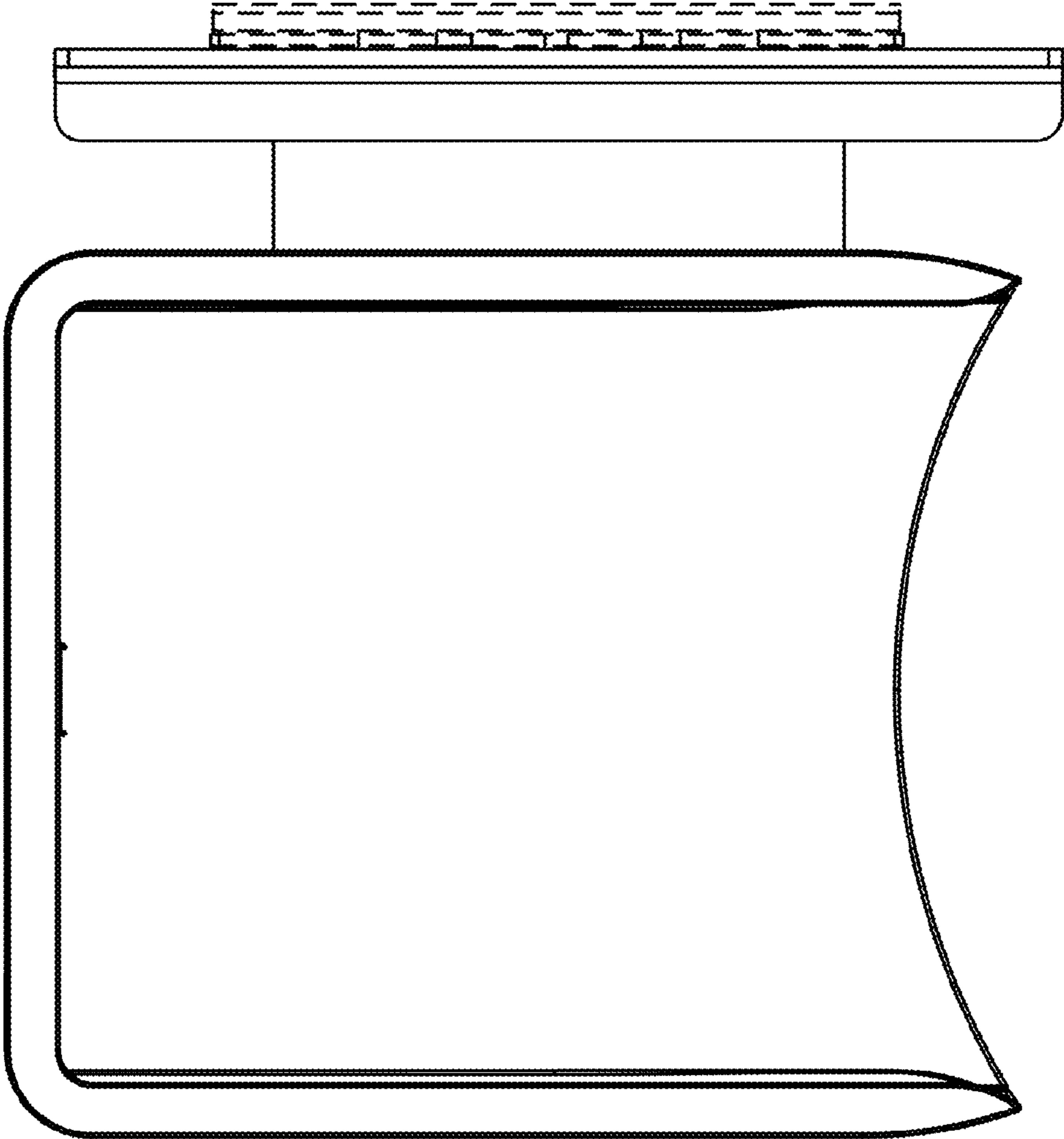


Fig. 3

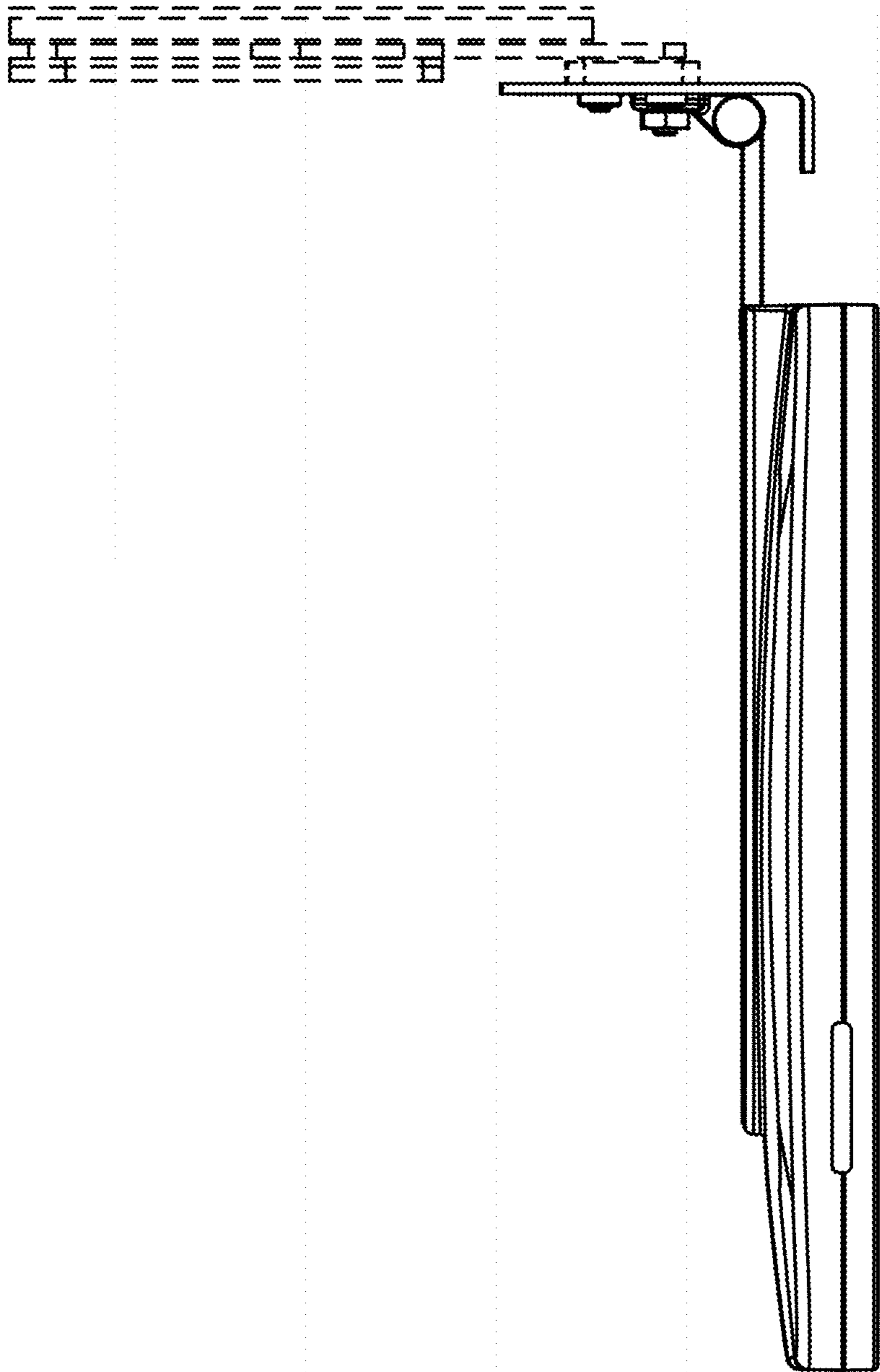


Fig. 4

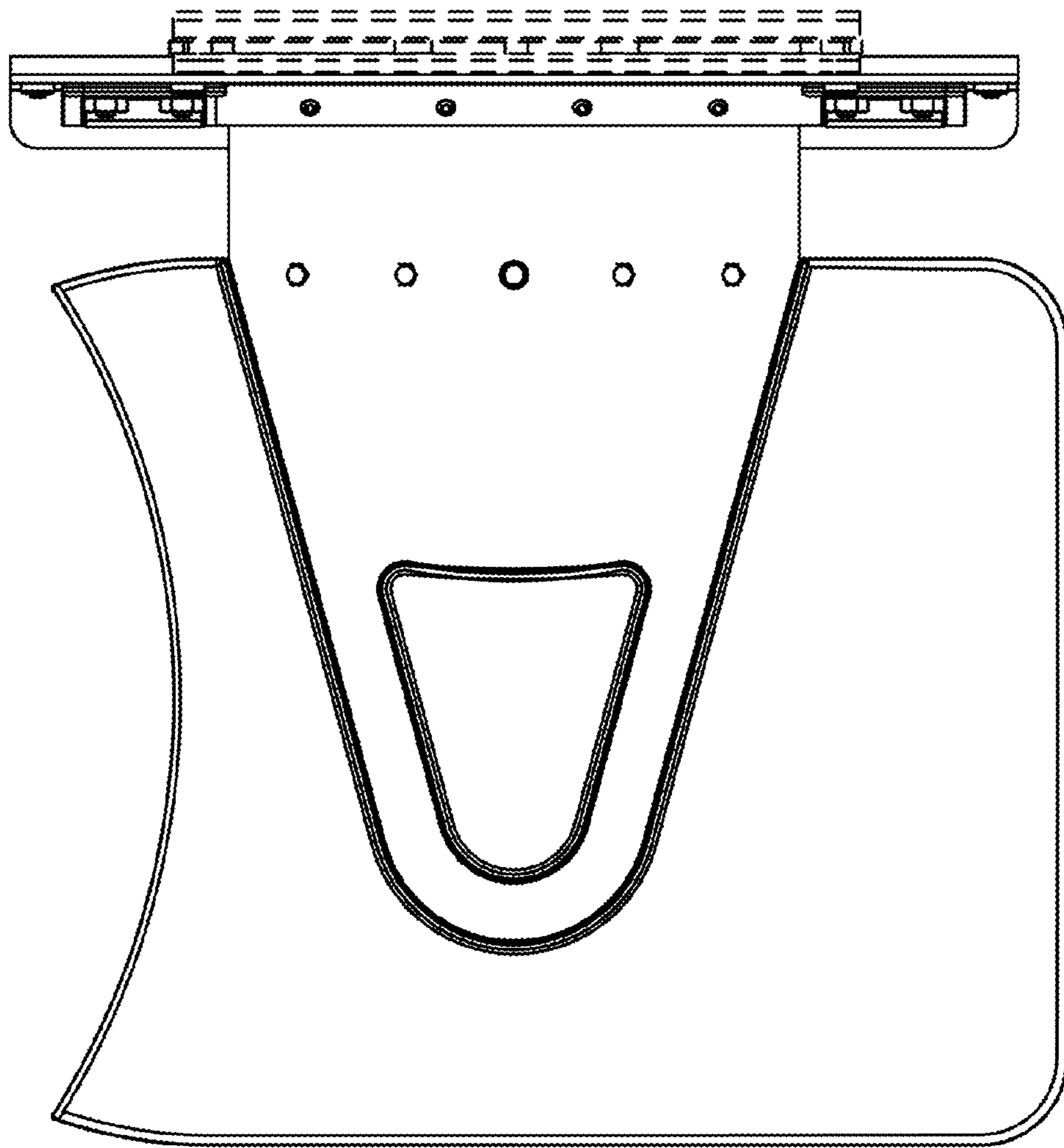


Fig. 5

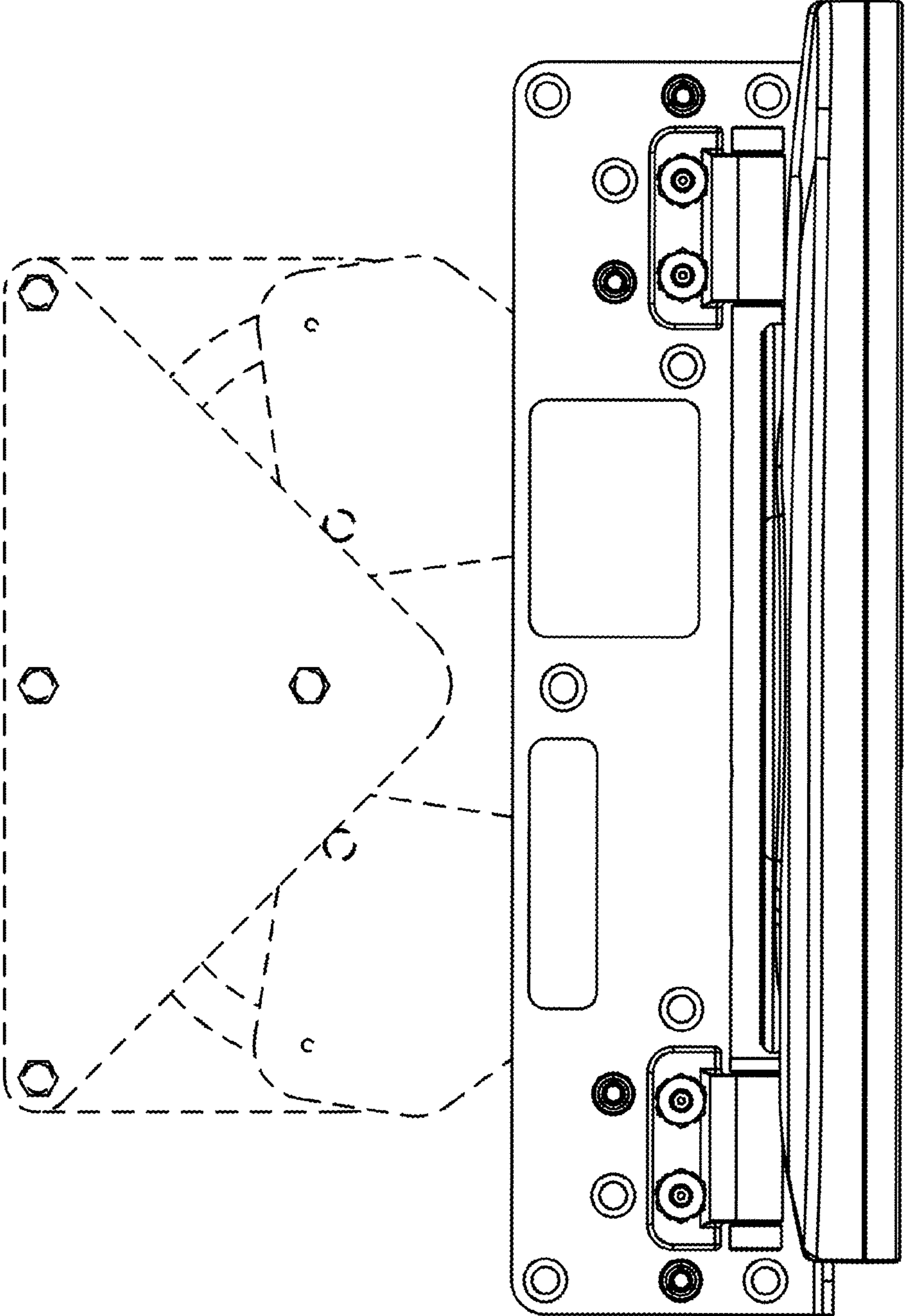


Fig. 6

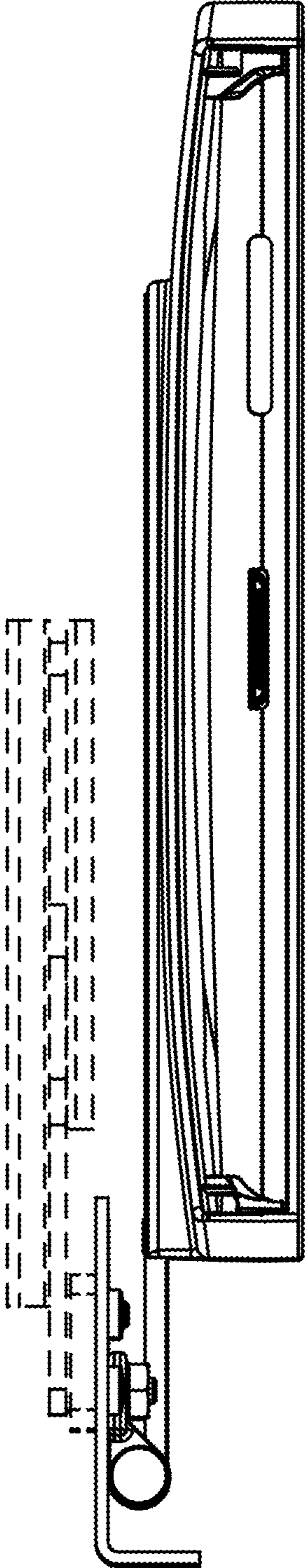


Fig. 7