



US00D740827S

(12) **United States Design Patent**
Sun

(10) **Patent No.:** **US D740,827 S**

(45) **Date of Patent:** **** Oct. 13, 2015**

(54) **RING READER**

G06Q 20/203; A45F 5/00; A45F 2005/002;
A45F 2005/008; A45F 2200/0516; A45F
2200/0525; A45F 2200/0533; A45F
2200/0508; H04N 5/74; H04N 9/3129;
H04N 9/3141; H01H 2009/0221

(71) Applicant: **HON HAI PRECISION INDUSTRY
CO., LTD.**, New Taipei (TW)

See application file for complete search history.

(72) Inventor: **Zong-Yuan Sun**, New Taipei (TW)

(73) Assignee: **HON HAI PRECISION INDUSTRY
CO., LTD.**, New Taipei (TW)

(56) **References Cited**

U.S. PATENT DOCUMENTS

(**) Term: **14 Years**

1,197,652	A *	9/1916	Newton	340/321
1,325,885	A *	12/1919	Weber	340/321
D199,195	S *	9/1964	Michelotti	D11/29
3,700,836	A *	10/1972	Rackson	200/52 R
4,722,625	A *	2/1988	O'Brien	401/6
4,766,299	A *	8/1988	Tierney et al.	235/462.21
4,954,817	A *	9/1990	Levine	345/179
5,191,197	A *	3/1993	Metlitsky et al.	235/462.44
D335,661	S *	5/1993	Shepard	D14/427

(Continued)

(21) Appl. No.: **29/501,441**

(22) Filed: **Sep. 4, 2014**

(30) **Foreign Application Priority Data**

Jun. 24, 2014 (CN) 2014 3 01996913

(51) **LOC (10) Cl.** **14-02**

(52) **U.S. Cl.**
USPC **D14/427**

(58) **Field of Classification Search**

USPC D14/420, 426-430, 453, 346, 341, 347,
D14/412, 498, 507, 371; D13/107, 184;
358/473; 235/462.43, 462.45, 462.47,
235/462.48, 462.44, 462.46, 487, 472.01,
235/472.02, 440, 486, 462.01, 462.15,
235/462.21, 412; 16/110.1, 430, 431;
439/133, 135; 709/219, 201; 710/73;
320/114, 115, 123; 361/679; 382/313,
382/321; 455/575.1, 561, 572, 575.6;
705/17, 14.64, 14.65, 21; 341/20;
362/103; 250/370.8, 370.1;
348/E5.137, E5.143, E9.026; 345/179,
345/156; 463/36; 14/2; 73/702; 600/300,
600/485; D3/218; 224/267, 575; 340/5.92

CPC G06K 7/10396; G06K 7/0004; G06K
7/0017; G06K 7/002; G06K 7/10881; G06K
7/10386; G06K 7/10009; G06K 7/01; G06K
7/10891; G06K 7/1054-7/1099; G06K
2007/10524; G06K 7/10534; G06F 1/163;
G06F 1/1698; G06F 1/1684; G06Q 20/204;
G06Q 20/208; G06Q 20/30; G06Q 20/322;

FOREIGN PATENT DOCUMENTS

CN 302299309 S 1/2013

Primary Examiner — Susan Moon Lee

(74) *Attorney, Agent, or Firm* — Novak Druce Connolly
Bove + Quigg LLP

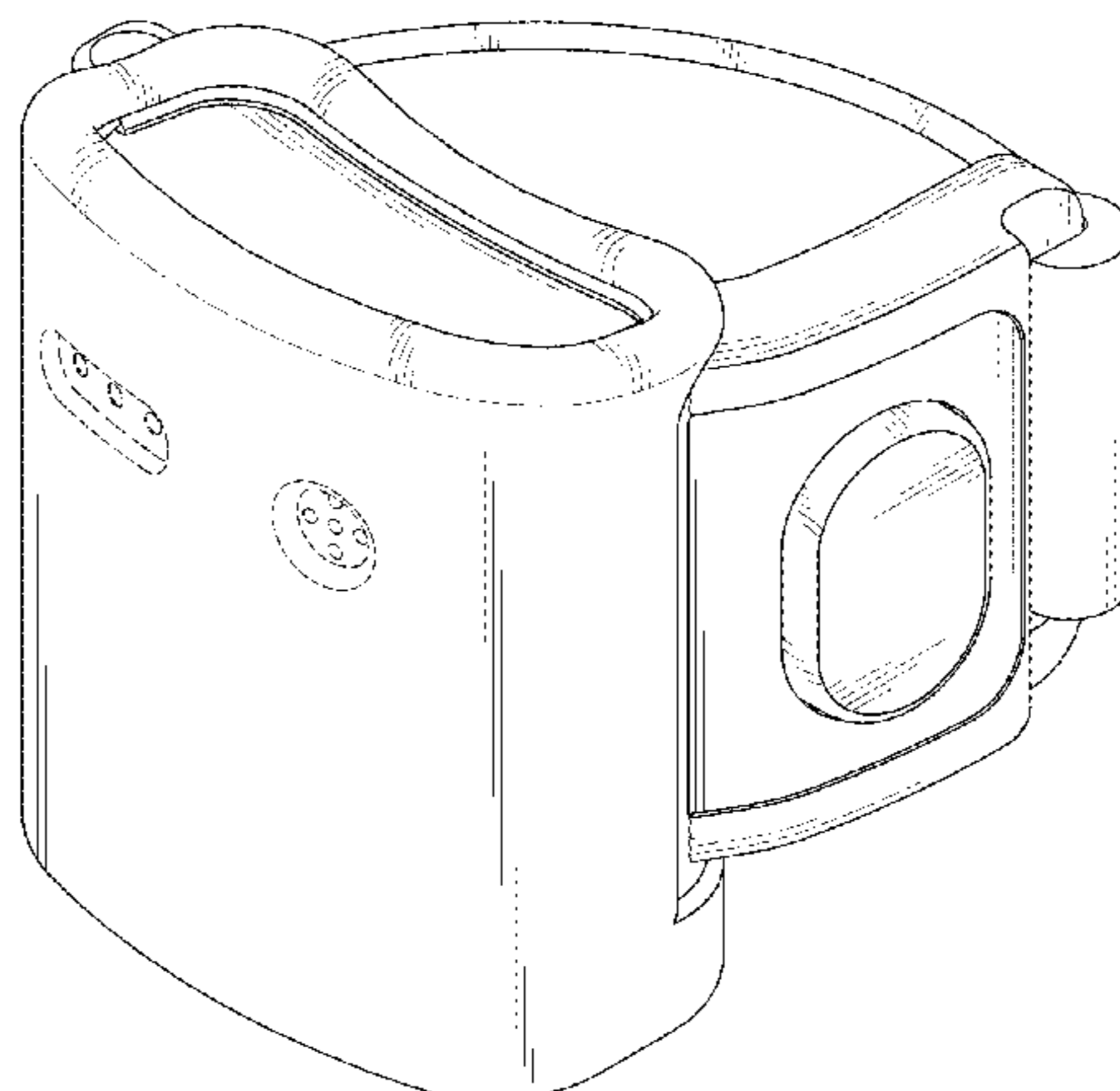
(57) **CLAIM**

The ornamental design for a ring reader, as shown and
described.

DESCRIPTION

FIG. 1 is a perspective view of a ring reader showing our new
design;
FIG. 2 is a front elevational view thereof;
FIG. 3 is a rear elevational view thereof;
FIG. 4 is a left side elevational view thereof;
FIG. 5 is a right side elevational view thereof;
FIG. 6 is a top plan view thereof; and,
FIG. 7 is a bottom plan view thereof.
Broken lines and unshaded portions contained within broken
lines are not claimed.

1 Claim, 7 Drawing Sheets



(56)

References Cited

U.S. PATENT DOCUMENTS

D335,662	S *	5/1993	Shepard	D14/427	6,634,558	B1 *	10/2003	Patel et al.	235/472.01
5,212,372	A *	5/1993	Quick et al.	235/462.44	6,850,788	B2 *	2/2005	Al-Ali	600/323
5,249,467	A *	10/1993	Takashima	73/702	6,853,293	B2 *	2/2005	Swartz et al.	340/5.92
5,250,790	A *	10/1993	Melitsky et al.	235/462.44	7,010,501	B1 *	3/2006	Roslak et al.	705/23
D342,245	S *	12/1993	Krichever et al.	D14/427	D529,280	S *	10/2006	Krieger et al.	D3/218
5,319,185	A *	6/1994	Obata	235/462.44	7,140,546	B1 *	11/2006	Terlizzi et al.	235/472.01
5,340,972	A *	8/1994	Sandor	235/462.44	D554,641	S *	11/2007	Miller et al.	D14/427
5,396,053	A *	3/1995	Swartz et al.	235/462.15	D599,108	S *	9/2009	Brandenburg	D3/218
5,404,001	A *	4/1995	Bard et al.	235/462.33	D601,151	S *	9/2009	Morris et al.	D14/453
5,410,140	A *	4/1995	Bard et al.	235/462.33	7,959,084	B2 *	6/2011	Wulff	235/472.02
5,422,469	A *	6/1995	Bard et al.	235/462.33	8,196,787	B2 *	6/2012	Strandberg et al.	224/217
5,481,265	A *	1/1996	Russell	341/22	8,260,384	B2 *	9/2012	Wulff et al.	455/575.6
5,489,922	A *	2/1996	Zloof	345/156	8,474,669	B2 *	7/2013	Rohrbach et al.	224/222
5,514,861	A *	5/1996	Swartz et al.	235/462.44	8,534,514	B2 *	9/2013	Zhu et al.	224/165
5,543,610	A *	8/1996	Bard et al.	235/462.44	8,570,273	B1 *	10/2013	Smith	345/156
5,587,577	A *	12/1996	Schultz	235/462.44	8,648,805	B2 *	2/2014	Bailen	345/163
D377,348	S *	1/1997	Karlin	D14/427	D712,930	S *	9/2014	Lee et al.	D14/496
5,602,376	A *	2/1997	Coleman et al.	235/462.44	D716,040	S *	10/2014	Soriano et al.	D3/218
5,610,386	A *	3/1997	Ball et al.	235/462.44	8,972,283	B2 *	3/2015	Hicks et al.	705/17
5,610,387	A *	3/1997	Bard et al.	235/462.44	D730,348	S *	5/2015	Grifoni	D14/344
5,614,706	A *	3/1997	Bard et al.	235/462.36	2001/0052544	A1 *	12/2001	Nishitani et al.	235/462.44
5,638,092	A *	6/1997	Eng et al.	345/158	2003/0019894	A1 *	1/2003	Caldana	224/165
5,675,138	A *	10/1997	La	235/462.44	2003/0164389	A1 *	9/2003	Byers	224/221
D391,250	S *	2/1998	Swift et al.	D14/427	2003/0206393	A1 *	11/2003	Murray, Jr.	361/679
5,742,043	A *	4/1998	Knowles et al.	235/462.44	2003/0221449	A1 *	12/2003	DeShong et al.	63/1.16
5,808,285	A *	9/1998	Rockstein et al.	235/472.02	2004/0031830	A1 *	2/2004	Davis	224/222
5,808,289	A *	9/1998	Becker	235/472.01	2004/0222301	A1 *	11/2004	Willins et al.	235/472.01
5,837,990	A *	11/1998	Shepard	235/383	2005/0234351	A1 *	10/2005	Nishii et al.	600/503
5,856,660	A *	1/1999	Bard et al.	235/462.15	2006/0289771	A1 *	12/2006	White	250/370.1
5,874,722	A *	2/1999	Rando et al.	235/472.01	2007/0171090	A1 *	7/2007	Newman et al.	340/815.45
5,886,822	A *	3/1999	Spitzer	359/630	2007/0246494	A1 *	10/2007	Kim et al.	224/219
5,917,174	A *	6/1999	Moore et al.	235/462.44	2008/0054062	A1 *	3/2008	Gunning et al.	235/375
D413,618	S *	9/1999	Murwin	D17/22	2008/0078838	A1 *	4/2008	Morris et al.	235/462.44
5,963,151	A *	10/1999	Hubbard	340/996	2008/0129532	A1 *	6/2008	Bellows	340/825
5,979,766	A *	11/1999	Rockstein et al.	235/462.46	2008/0171915	A1 *	7/2008	Kawajiri et al.	600/300
6,015,090	A *	1/2000	Swartz et al.	235/472.01	2008/0197195	A1 *	8/2008	Miller et al.	235/440
6,015,091	A *	1/2000	Rockstein et al.	235/472.01	2009/0121026	A1 *	5/2009	Druker et al.	235/462.44
6,030,290	A *	2/2000	Powell	463/36	2009/0134226	A1 *	5/2009	Stobbe	235/462.44
6,098,877	A *	8/2000	Barkan et al.	235/25	2009/0175130	A1 *	7/2009	Hilfiker	368/10
6,184,863	B1 *	2/2001	Sibert et al.	345/156	2009/0177129	A1 *	7/2009	Chan et al.	601/112
6,192,253	B1 *	2/2001	Charlier et al.	455/575.7	2009/0266898	A1 *	10/2009	Miller et al.	235/472.01
6,212,414	B1 *	4/2001	Alameh et al.	455/575.6	2009/0272811	A1 *	11/2009	An	235/462.44
6,297,808	B1 *	10/2001	Yang	345/167	2010/0277759	A1 *	11/2010	Studer et al.	358/1.15
D454,551	S *	3/2002	Bonadei et al.	D14/138 R	2010/0321165	A1 *	12/2010	Lee	340/10.4
D457,503	S *	5/2002	Butler, Jr.	D14/126	2011/0175705	A1 *	7/2011	Bellows	340/10.1
D462,964	S *	9/2002	Croley et al.	D14/427	2011/0275906	A1 *	11/2011	Chen	600/301
6,552,714	B1 *	4/2003	Vust	345/157	2012/0187192	A1 *	7/2012	Lee	235/462.44
						2012/0223143	A1 *	9/2012	Turbovich	235/472.02
						2013/0211204	A1 *	8/2013	Caduff et al.	600/300

* cited by examiner

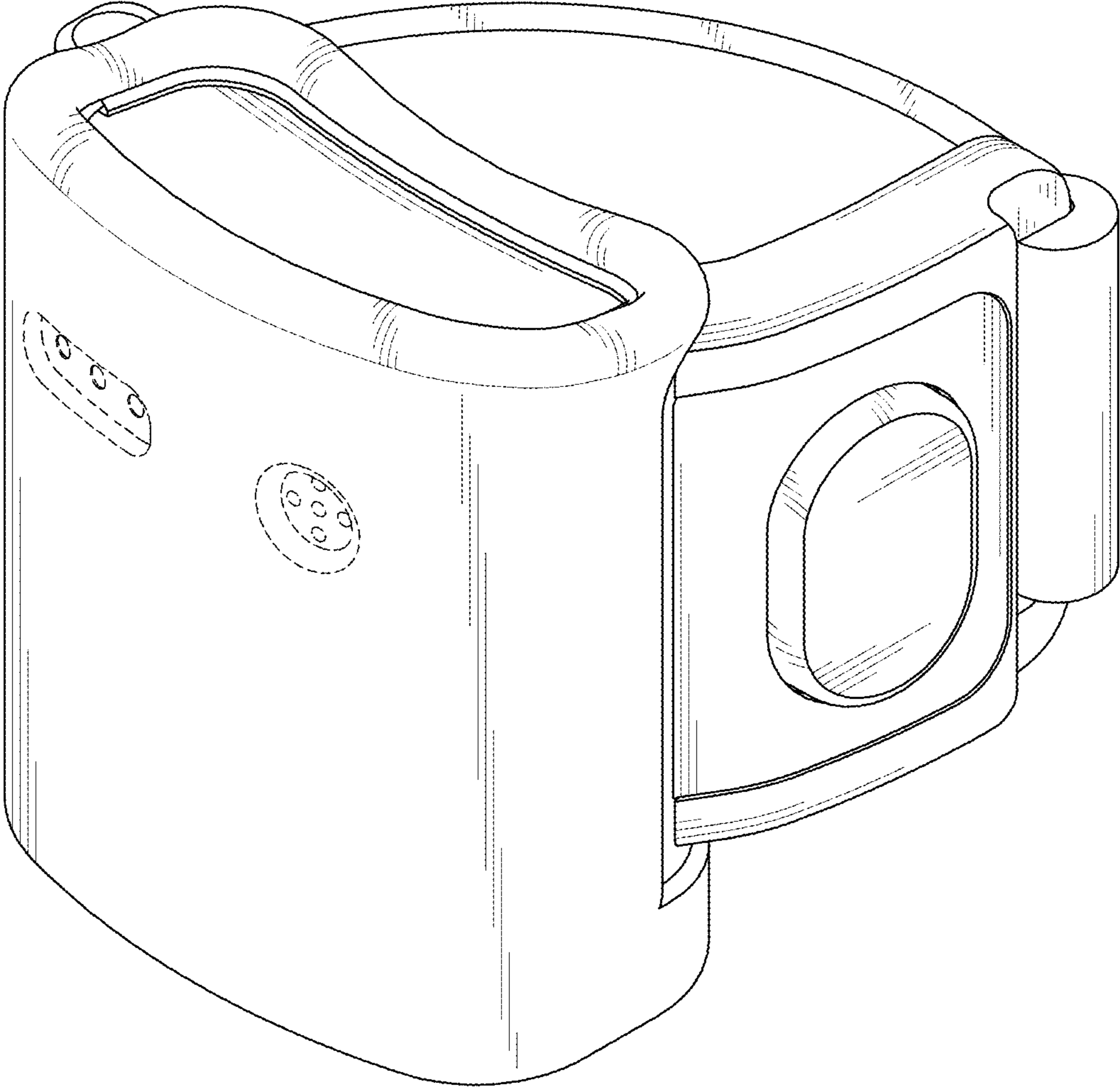


FIG. 1

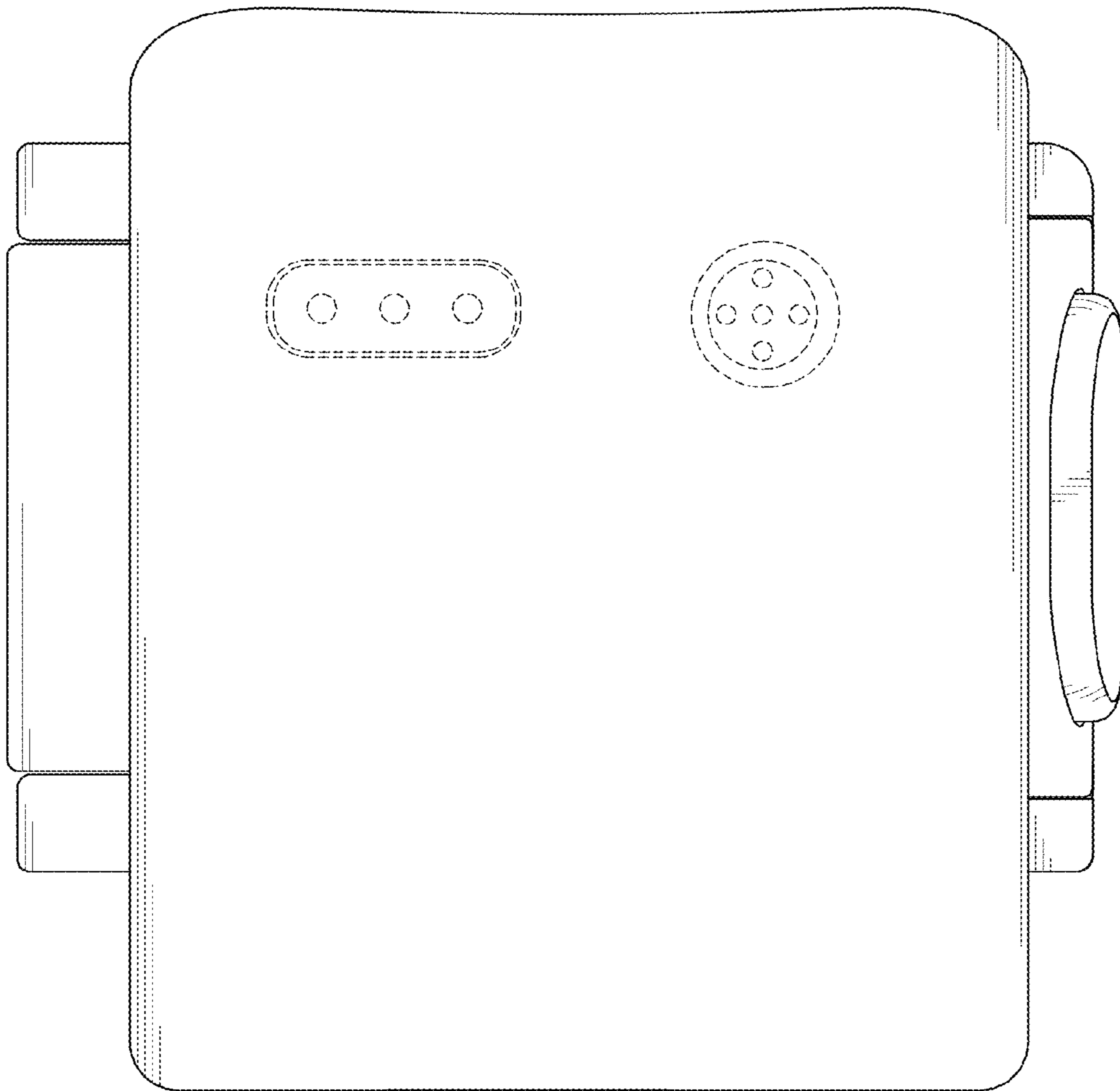


FIG. 2

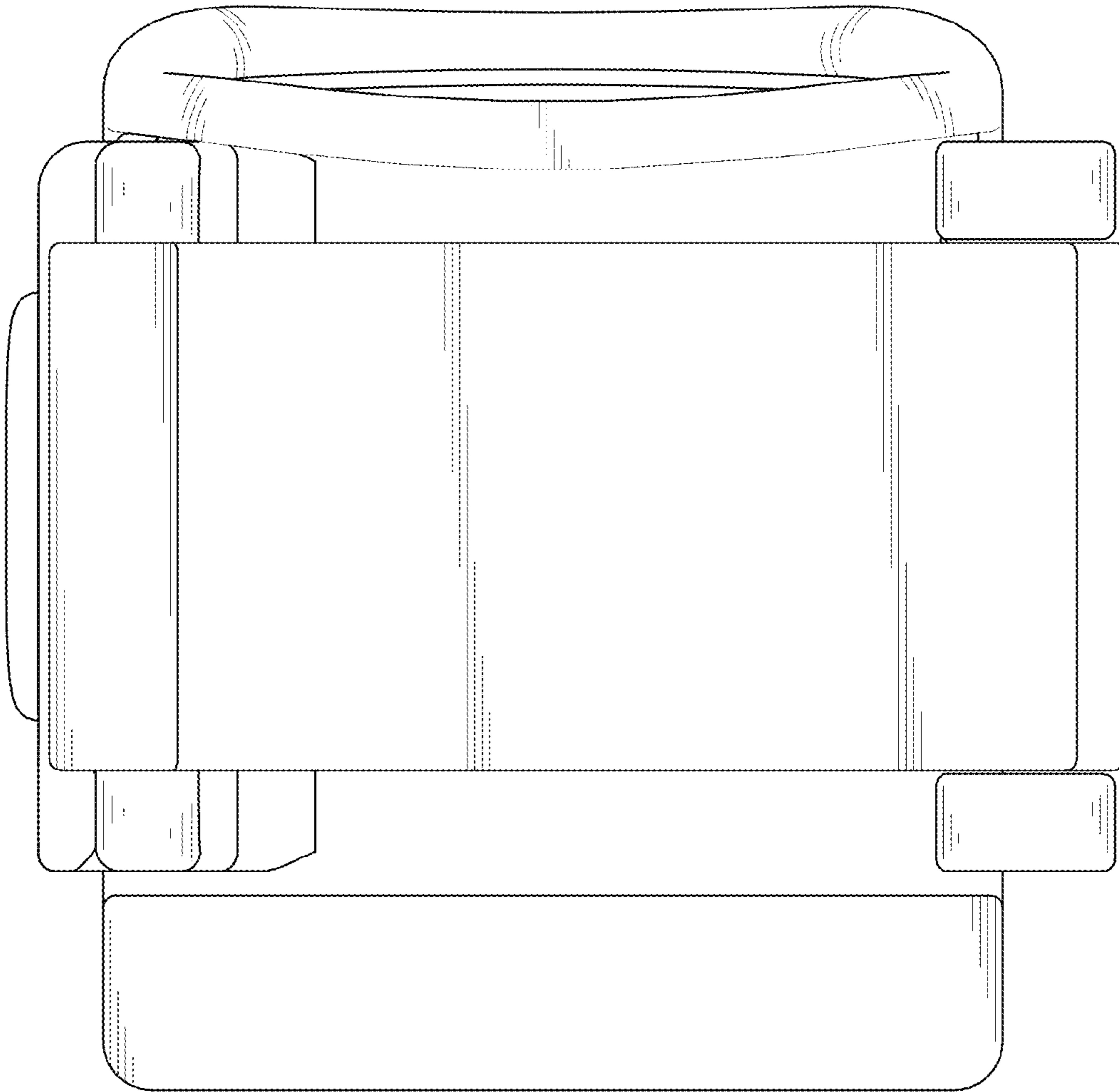


FIG. 3

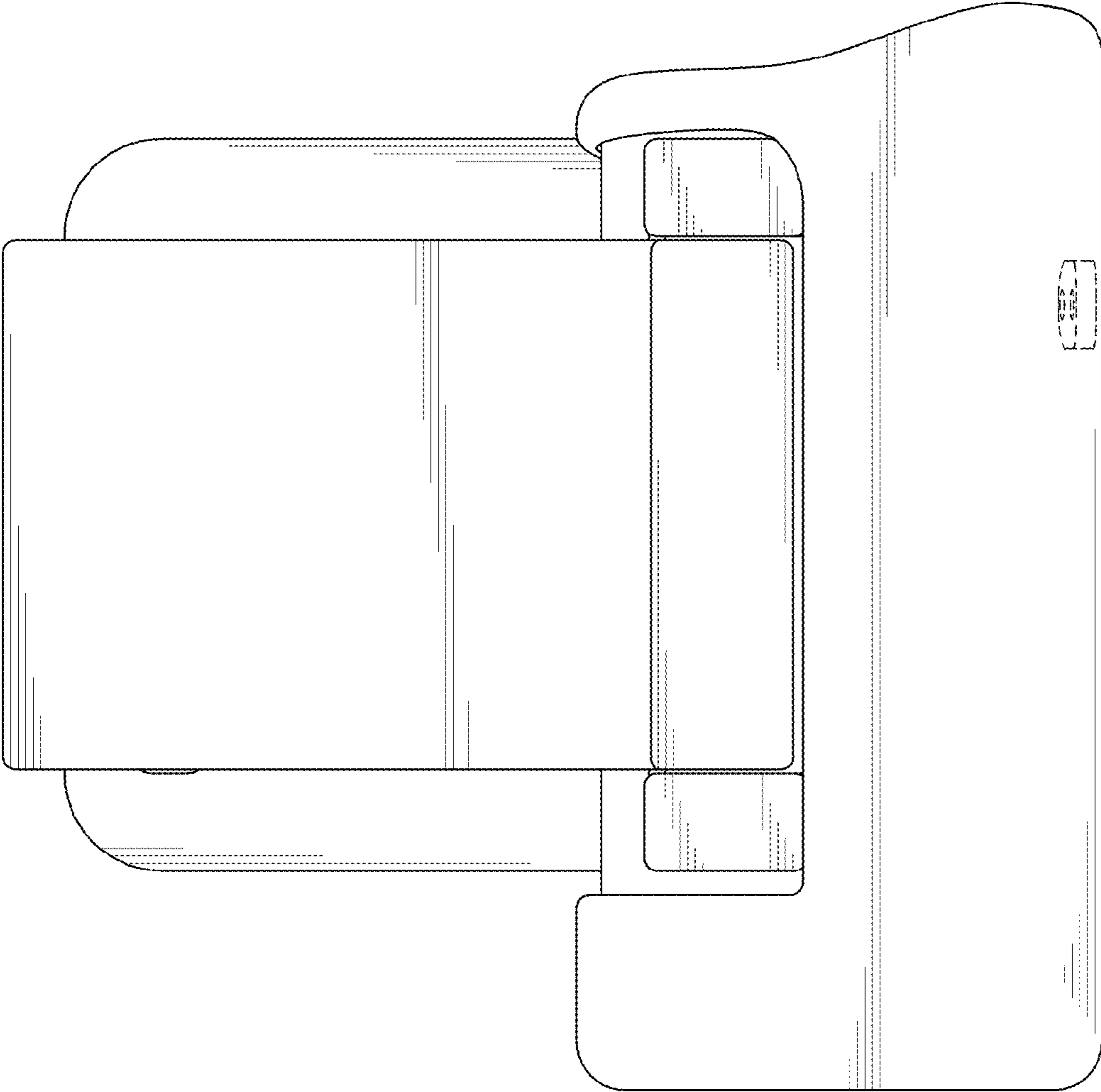


FIG. 4

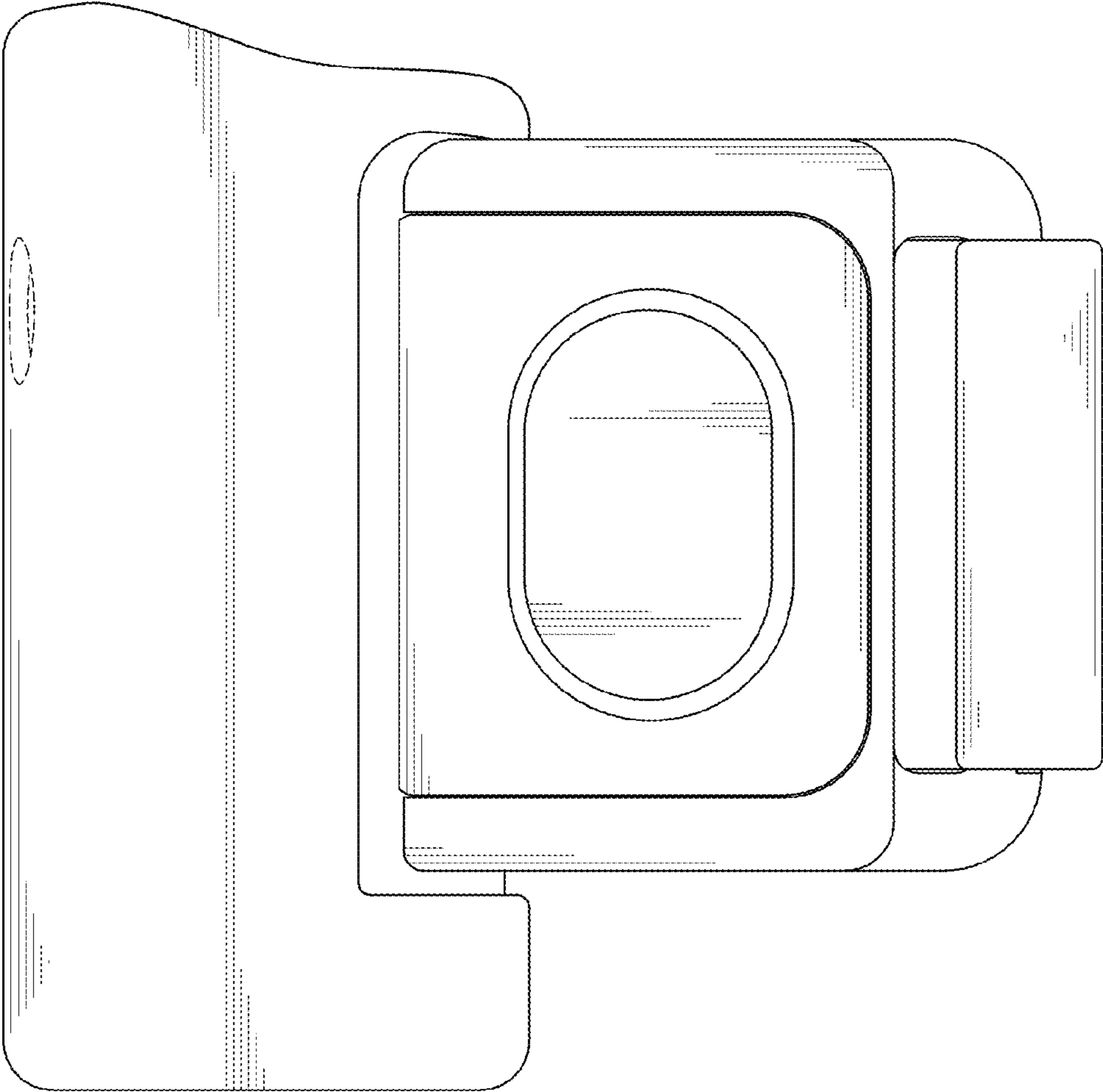


FIG. 5

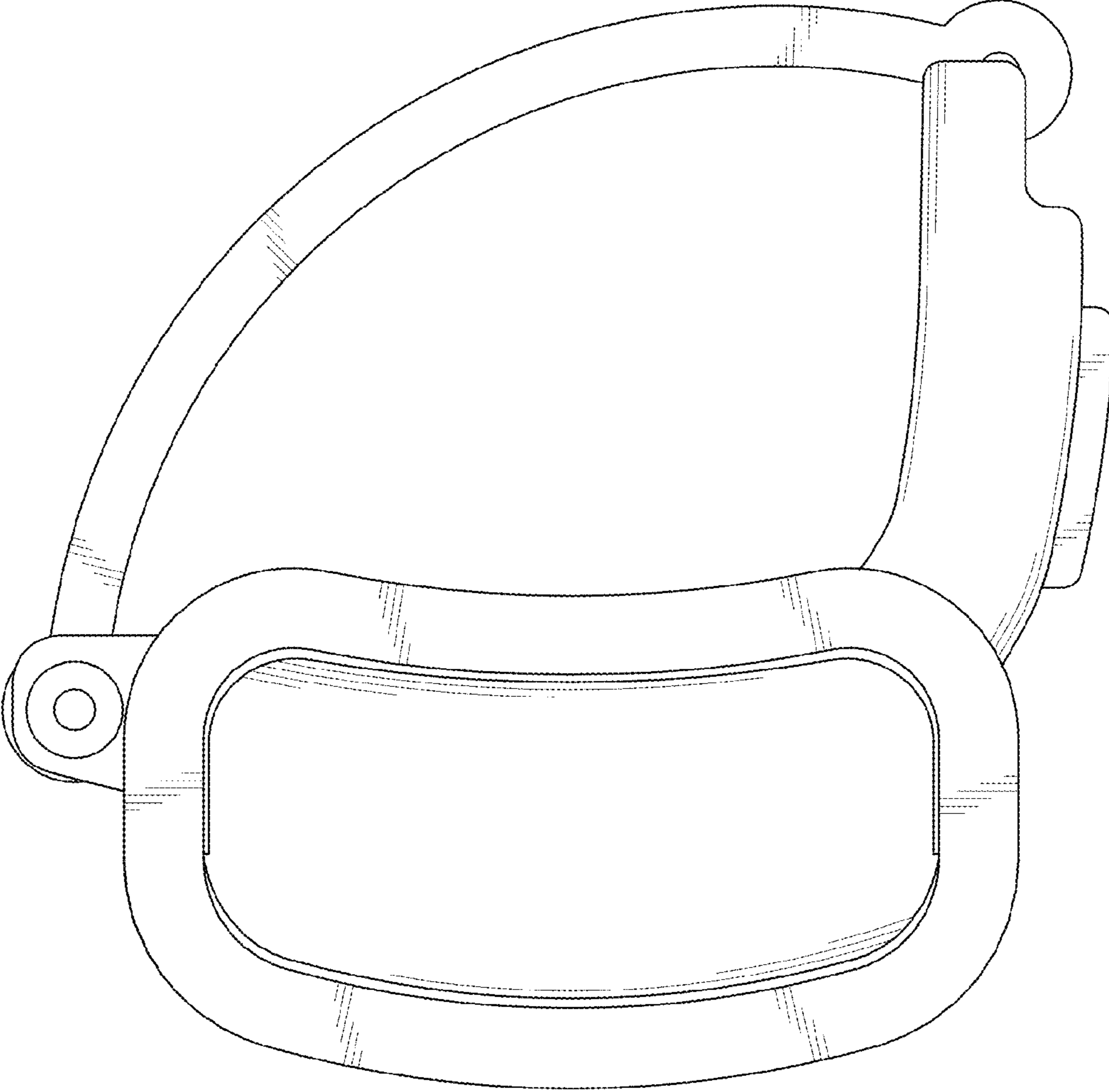


FIG. 6

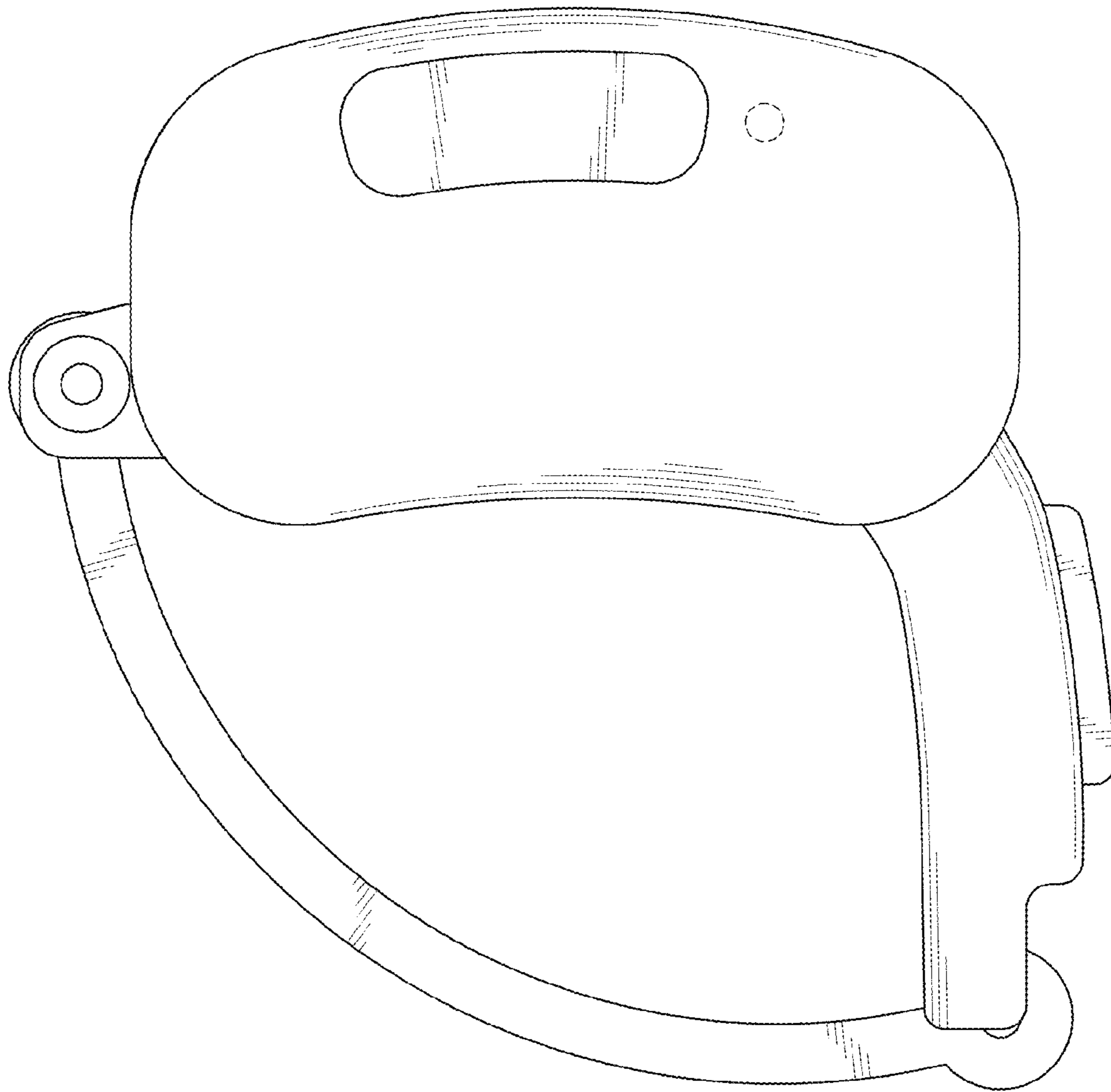


FIG. 7