



US00D740826S

(12) **United States Design Patent**
Kuroda et al.

(10) **Patent No.:** **US D740,826 S**
(45) **Date of Patent:** **** Oct. 13, 2015**

(54) **SCANNER**

(71) Applicants: **Satoshi Kuroda**, Kahoku (JP);
Yasuhiko Kitagawa, Kahoku (JP)

(72) Inventors: **Satoshi Kuroda**, Kahoku (JP);
Yasuhiko Kitagawa, Kahoku (JP)

(73) Assignee: **PFU LIMITED**, Ishikawa (JP)

(**) Term: **14 Years**

(21) Appl. No.: **29/438,351**

(22) Filed: **Nov. 29, 2012**

(30) **Foreign Application Priority Data**

Jun. 14, 2012 (JP) 2012-014120

(51) **LOC (10) Cl.** **14-02**

(52) **U.S. Cl.**
USPC **D14/423**

(58) **Field of Classification Search**
USPC D14/420-425; D16/232, 229, 235, 221,
D16/135; D18/36; 353/115, 119, 122,
353/DIG. 3, DIG. 4; 396/155, 133, 86;
358/474-498; 348/370, 373, 376, 374,
348/375; 248/187.1, 593, 276.1, 281.11;
D26/63, 65, 64, 62, 135, 61, 107, 109,
D26/51

See application file for complete search history.

(56) **References Cited**

U.S. PATENT DOCUMENTS

D79,072 S * 7/1929 Green D26/51
D99,030 S * 3/1936 Jackson D26/107
D125,003 S * 2/1941 Rogers D26/109
D127,488 S * 5/1941 Livers D26/109
D146,116 S * 12/1946 Masterson D26/63
D150,404 S * 8/1948 Coen D26/51
D150,940 S * 9/1948 Goebel D26/107
D151,605 S * 11/1948 Dolan D26/64
D162,639 S * 3/1951 Fiori D26/60

D164,668 S * 10/1951 Carrithers D26/107
D173,535 S * 11/1954 Mugnai D26/107
D176,550 S * 1/1956 Mugnai D26/63
D188,506 S * 8/1960 Bobrick D26/65
D191,851 S * 11/1961 Lazor D16/135
D192,645 S * 4/1962 Bodian D26/65
D194,995 S * 4/1963 Hoogesteger et al. D16/135
D207,063 S * 2/1967 Sovatsky D26/64
D207,597 S * 5/1967 Bodian D26/65
D209,079 S * 10/1967 Andre D26/107
D214,191 S * 5/1969 Rudd D26/51
D215,480 S * 10/1969 Froelich et al. D26/65
D216,912 S * 3/1970 Daito D26/65
D243,549 S * 3/1977 Neveux D26/66
D278,348 S * 4/1985 Horgan D16/135
D278,937 S * 5/1985 Peeler et al. D26/65

(Continued)

OTHER PUBLICATIONS

Notice of Allowance dated Mar. 20, 2014, U.S. Appl. No. 29/438,350 including Notice of References Cited.

Primary Examiner — Susan Moon Lee

(74) *Attorney, Agent, or Firm* — RatnerPrestia

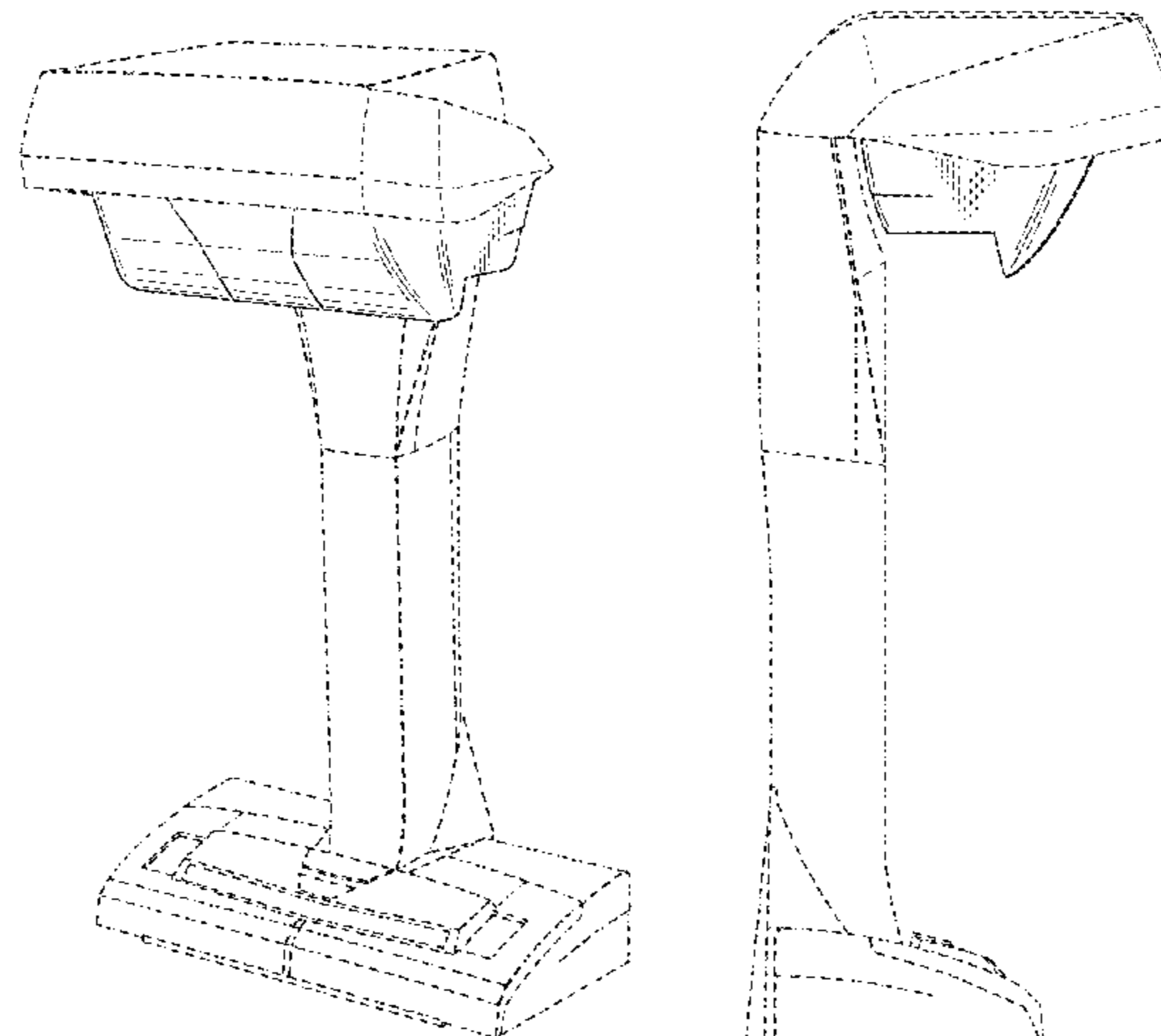
(57) **CLAIM**

The ornamental design for a scanner, as shown and described.

DESCRIPTION

FIG. 1 is a front perspective view of a scanner showing our new design;
FIG. 2 is a front view thereof;
FIG. 3 is a rear view thereof;
FIG. 4 is a left side view thereof; the right side view is a mirror image of the left side view;
FIG. 5 is a top plan view thereof;
FIG. 6 is a bottom plan view thereof;
FIG. 7 is a cross-sectional view thereof taken in the direction of arrows 7-7 in FIG. 2; and,
FIG. 8 is another perspective view thereof showing the scanner head in an extended position.
Broken lines and portions contained within broken lines are not claimed.

1 Claim, 5 Drawing Sheets



(56)

References Cited

U.S. PATENT DOCUMENTS

D284,087	S *	6/1986	Haidinger	D16/135
D284,310	S *	6/1986	Schaffer et al.	D26/65
D285,120	S *	8/1986	Krogsrud	D26/65
D286,082	S *	10/1986	Shwisha	D26/61
D293,135	S *	12/1987	Medema et al.	D26/61
D293,940	S *	1/1988	Lasker	D26/65
D296,328	S *	6/1988	Austin et al.	D14/423
D301,633	S *	6/1989	Shwisha	D26/63
D302,683	S *	8/1989	Iwasaki et al.	D14/423
D304,242	S *	10/1989	Strater	D26/65
D305,228	S *	12/1989	Allgeier	D14/423
D309,661	S *	7/1990	Shwisha	D26/51
4,958,913	A *	9/1990	Schaffer	359/819
D319,889	S *	9/1991	Lu	D26/51
D321,951	S *	11/1991	Dieperink	D26/107
D325,027	S *	3/1992	Wallace et al.	D14/423
D325,102	S *	3/1992	Ramond	D26/62
D326,334	S *	5/1992	Meyer et al.	D26/65
D326,335	S *	5/1992	Meyer et al.	D26/65
D328,358	S *	7/1992	Tsang	D26/62
D328,909	S *	8/1992	Sakurai	D16/135
D331,987	S *	12/1992	Dieperink et al.	D26/109
D334,759	S *	4/1993	Meyer et al.	D16/135
D337,842	S *	7/1993	Yuen	D26/65
D339,649	S *	9/1993	Klossner	D26/63
D341,672	S *	11/1993	Yuen	D26/65
D341,673	S *	11/1993	Yuen	D26/65
D348,742	S *	7/1994	Rorke et al.	D26/51
D356,390	S *	3/1995	Gismondi et al.	D26/107
D356,876	S *	3/1995	Waldmann	D26/107
5,416,609	A *	5/1995	Matsuda et al.	358/474
D369,353	S *	4/1996	Hofmann-Igl	D14/423
D377,990	S *	2/1997	Nakano	D26/65
D377,993	S *	2/1997	Herst et al.	D26/107
5,616,914	A *	4/1997	Matsuda	250/208.1
D386,157	S *	11/1997	Hasegawa	D14/423
D388,107	S *	12/1997	Huckins	D16/208
D394,727	S *	5/1998	Larkin	D26/109
5,805,272	A *	9/1998	Nozawa et al.	355/25
5,886,342	A *	3/1999	Matsui	250/208.1
D408,092	S *	4/1999	Schaak	D26/62
D411,520	S *	6/1999	Iwakawa et al.	D14/423
D411,833	S *	7/1999	Iwakawa et al.	D14/423
5,940,128	A *	8/1999	Morimura	348/240.3
5,940,544	A *	8/1999	Nako	382/293
D414,578	S *	9/1999	Chen et al.	D26/65
5,969,795	A *	10/1999	Honda	355/25
5,978,102	A *	11/1999	Matsuda	358/474
5,995,245	A *	11/1999	Moro	358/474
D419,170	S *	1/2000	Ono et al.	D16/208
6,124,950	A *	9/2000	Honda	358/474
D443,093	S *	5/2001	Chiang	D26/65
6,325,288	B1 *	12/2001	Spitz	235/462.12
6,345,763	B1 *	2/2002	Matsuda et al.	235/459
D476,346	S *	6/2003	Fujii	D16/208
D478,682	S *	8/2003	Abry	D26/65
6,603,582	B1 *	8/2003	Cotte et al.	358/474
6,771,394	B1 *	8/2004	Nakanishi et al.	358/474
6,963,428	B1 *	11/2005	Gann	358/474
6,965,460	B1 *	11/2005	Gann et al.	358/471
7,001,024	B2 *	2/2006	Kitaguchi et al.	353/70
D522,159	S *	5/2006	Chan	D26/63
D544,008	S *	6/2007	Stewart	D16/135
D559,431	S *	1/2008	Mota Veiga et al.	D26/118
D564,117	S *	3/2008	Lippert	D26/61
D581,077	S *	11/2008	Levine	D26/62
D581,570	S *	11/2008	Levine	D26/62
D600,385	S *	9/2009	Lippert	D26/62
7,751,092	B2 *	7/2010	Sambongi et al.	358/474
D621,981	S *	8/2010	McAtamney et al.	D26/61
D625,450	S *	10/2010	Rosenkrantz et al.	D26/61
8,137,010	B2 *	3/2012	Yoshida et al.	396/428
D673,155	S	12/2012	Sugitani et al.	
D673,565	S	1/2013	Sugitani et al.	
D673,566	S	1/2013	Sugitani et al.	
D685,372	S *	7/2013	Booppanon et al.	D14/423
8,503,045	B2 *	8/2013	Kubo et al.	358/474
8,559,071	B2 *	10/2013	Kawata	358/474
D700,609	S *	3/2014	Sugitani et al.	D14/423
2011/0299136	A1 *	12/2011	Kubo et al.	358/474
2012/0320432	A1 *	12/2012	Kimura	358/474
2013/0083176	A1 *	4/2013	Kasahara	348/61
2013/0335786	A1 *	12/2013	Kimura	358/474
2013/0335787	A1 *	12/2013	Kawata	358/474

* cited by examiner

Fig. 1

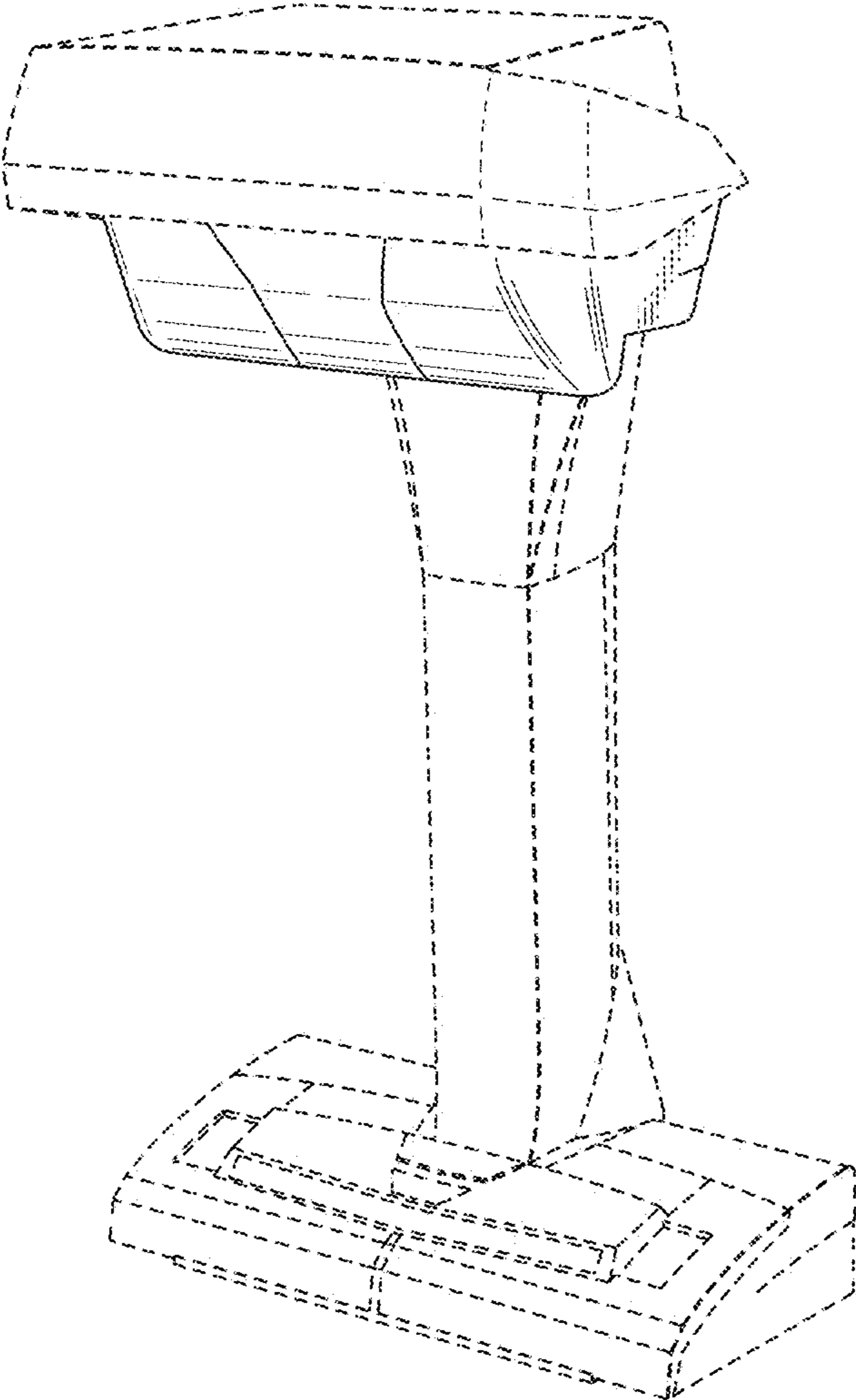


Fig.2

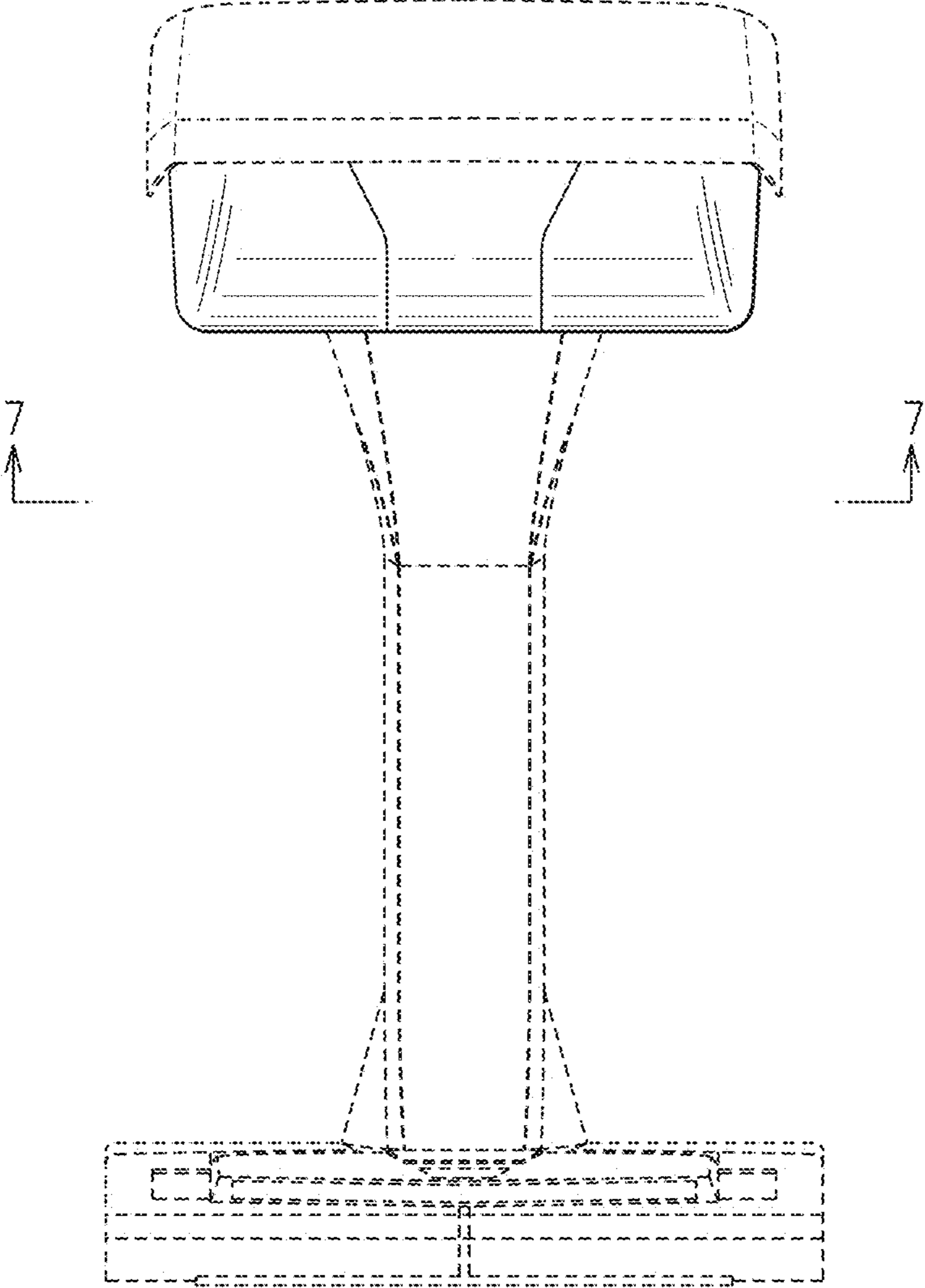


Fig.3

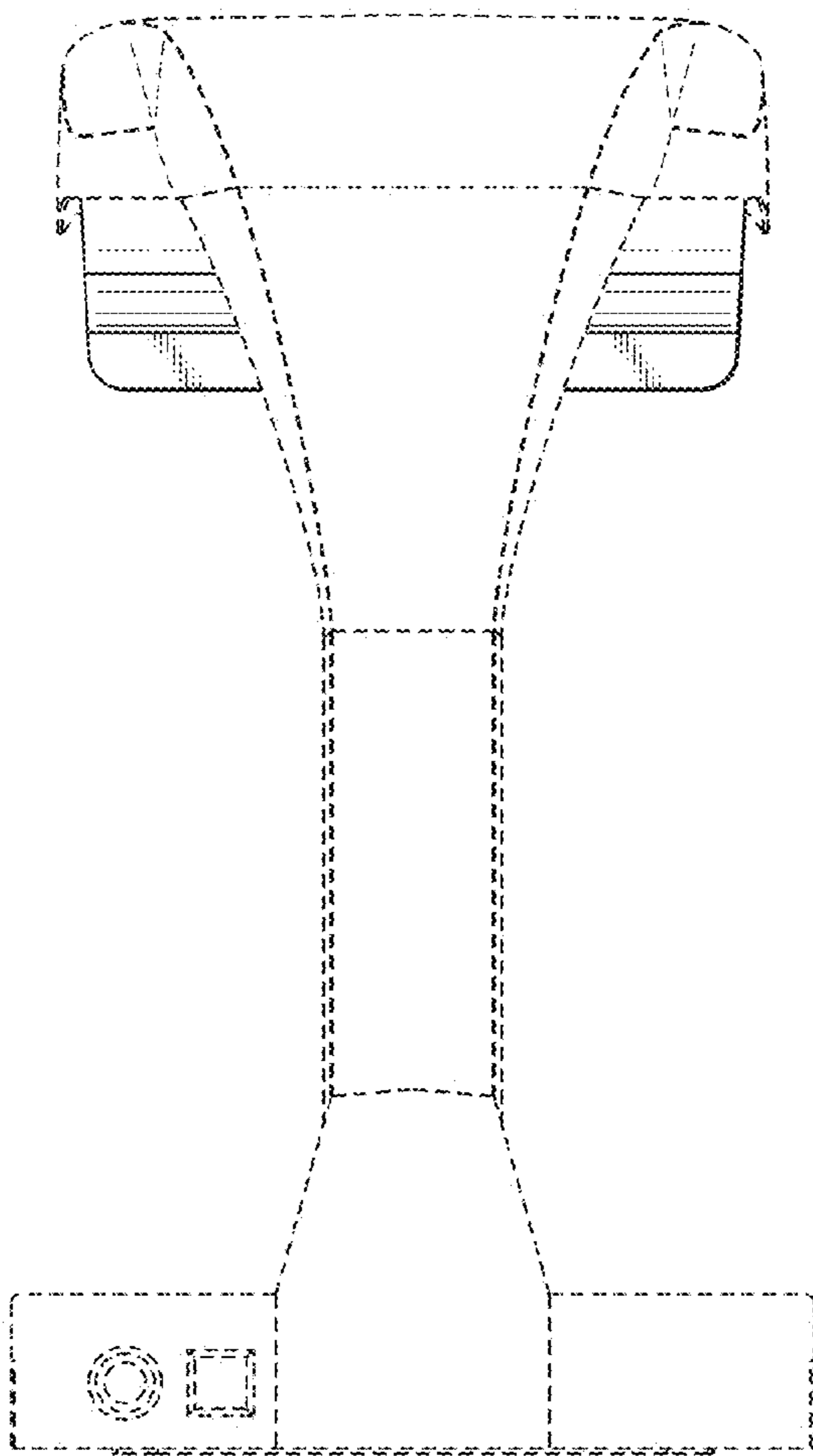


Fig.4

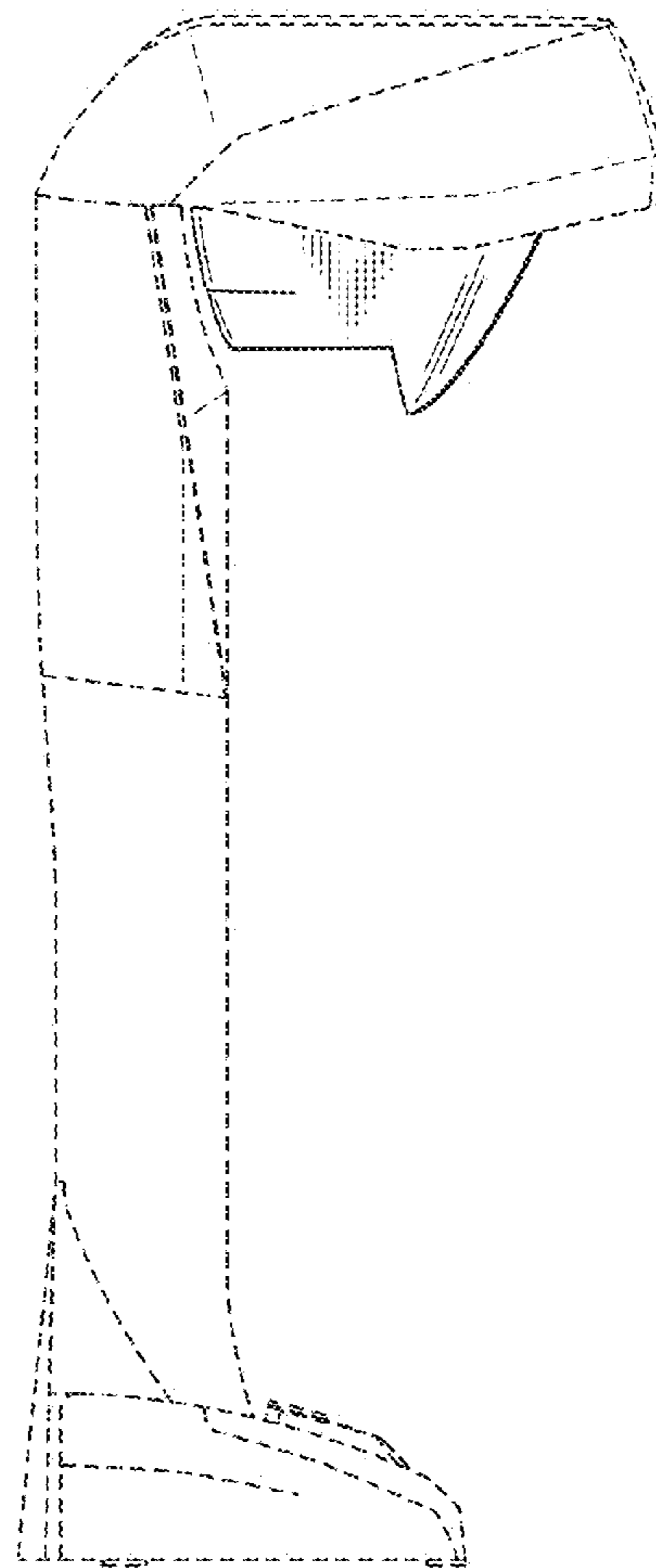


Fig.5

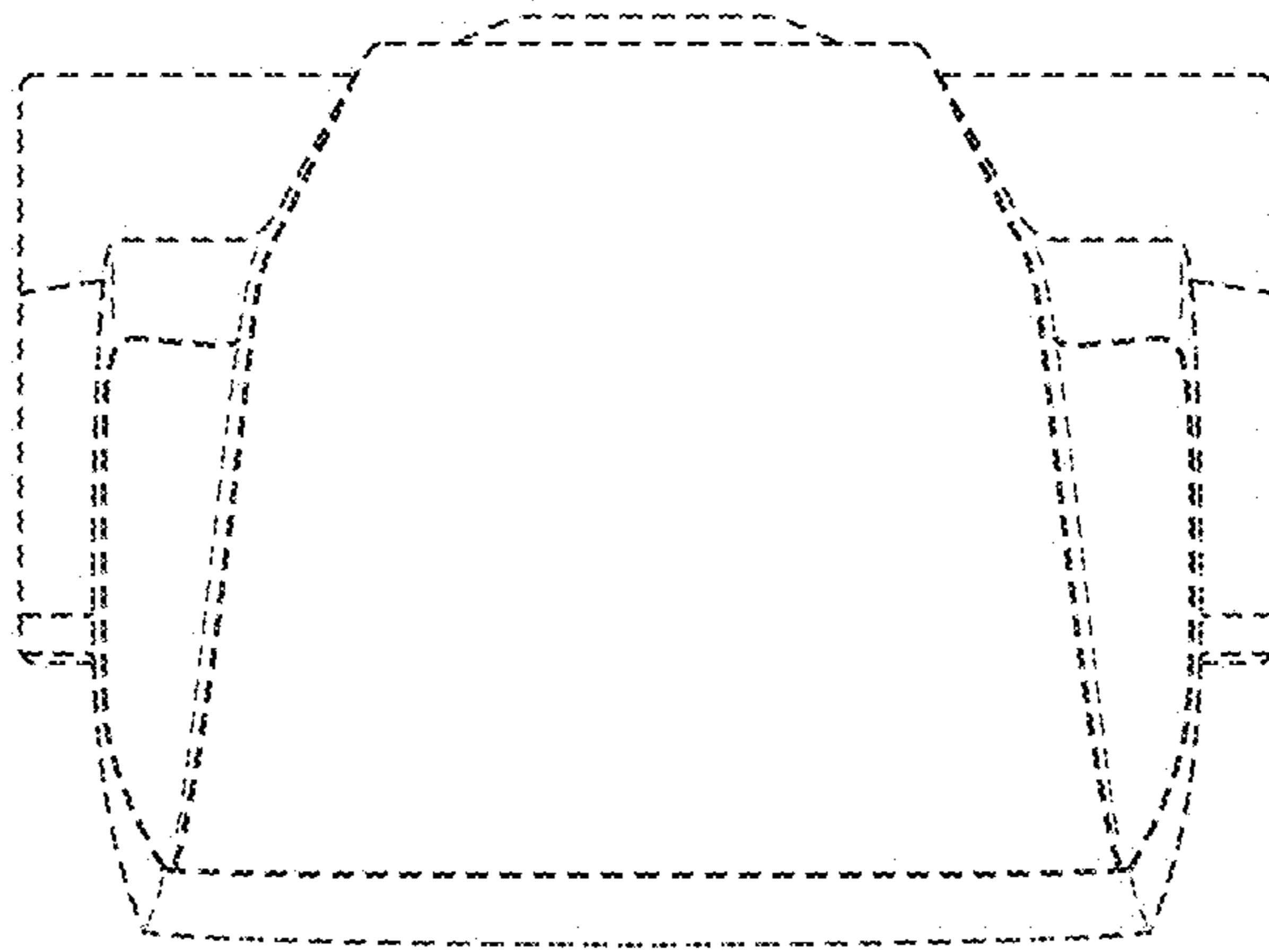


Fig.6

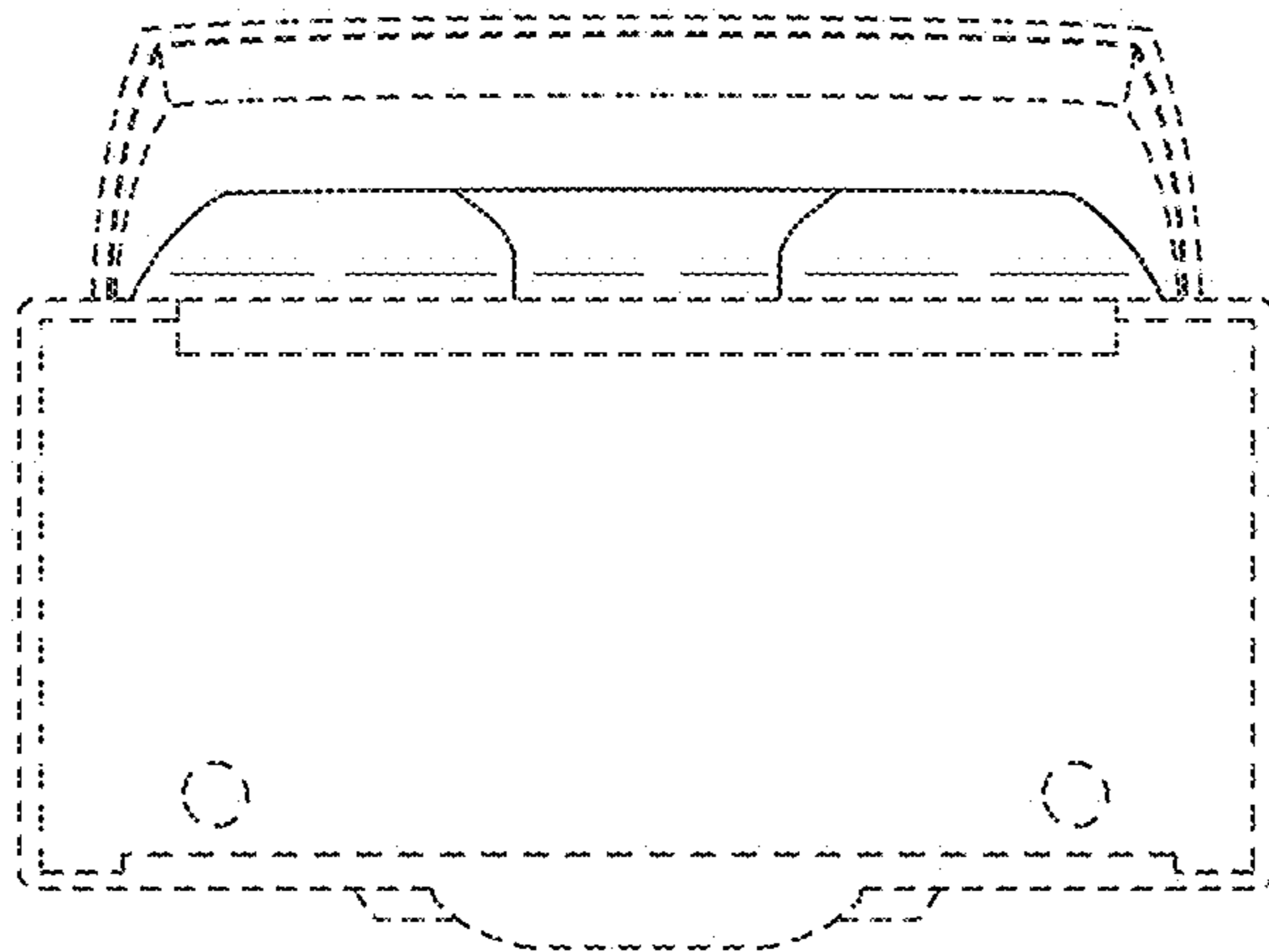


Fig.7

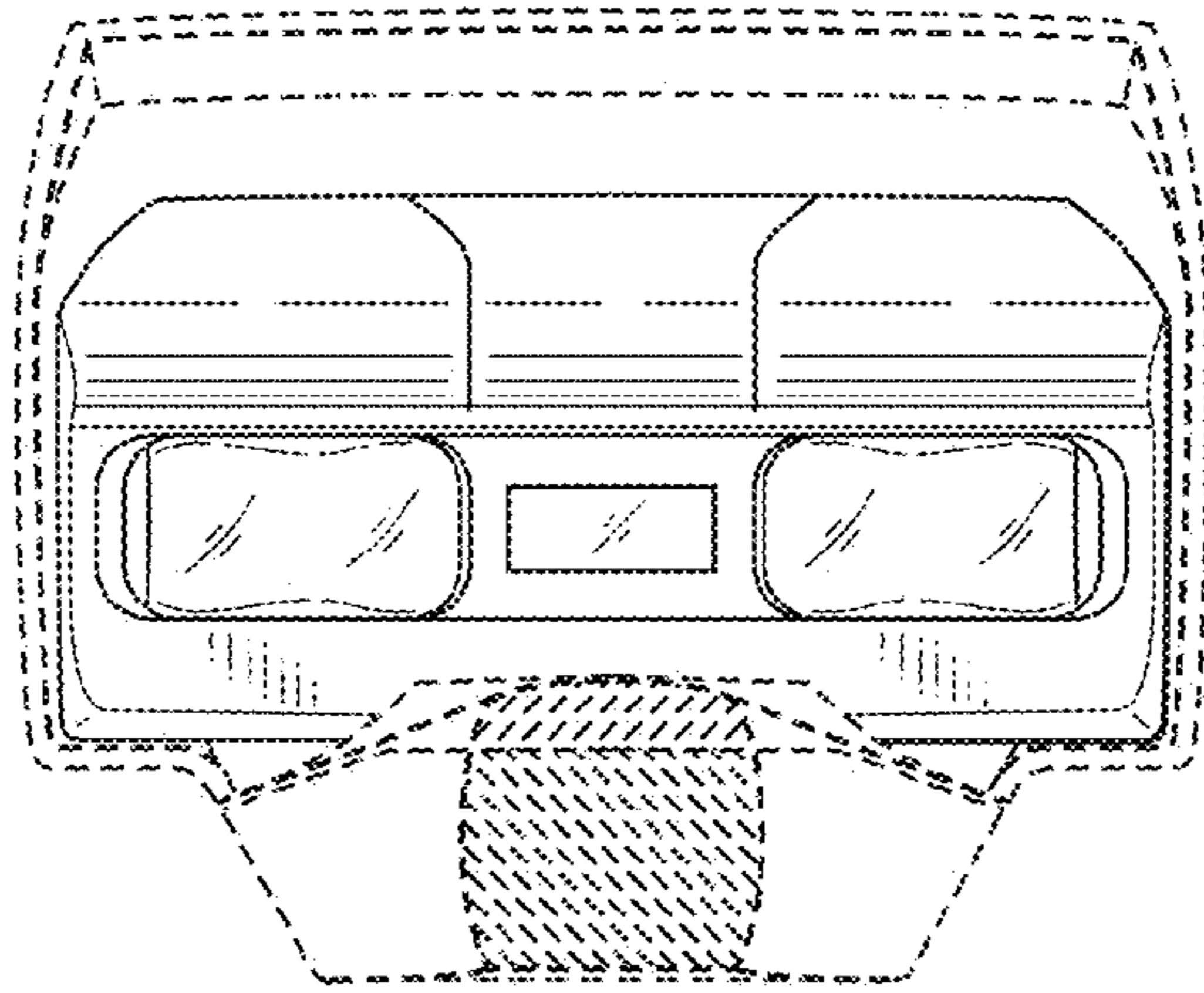


Fig.8

