



US00D740825S

(12) **United States Design Patent**
Bellinghausen et al.

(10) **Patent No.:** **US D740,825 S**
(45) **Date of Patent:** **** Oct. 13, 2015**

(54) **CONTROLLER**

(71) Applicant: **Valve Corporation**, Bellevue, WA (US)

(72) Inventors: **Jeffrey Peter Bellinghausen**, Bellevue, WA (US); **Claire Michelle Gottschalk**, Bellevue, WA (US); **Eric James Hope**, Duvall, WA (US); **Jeffrey Keyzer**, Redmond, WA (US); **Amy Narae Kim**, New York, NY (US); **Pierre-Loup Miguel Griffais**, Seattle, WA (US)

(73) Assignee: **VALVE CORPORATION**, Bellevue, WA (US)

(**) Term: **14 Years**

(21) Appl. No.: **29/497,904**

(22) Filed: **Jul. 29, 2014**

(51) **LOC (10) Cl.** **14-03**

(52) **U.S. Cl.**
USPC **D14/401; D21/333**

(58) **Field of Classification Search**
USPC D14/399-401, 412-418; 273/148 B; 463/1, 29-39, 46, 47; 345/156-161, 345/905; D21/333, 328
CPC A63F 13/02; A63F 9/24; A63F 13/12; A63F 9/00; A63F 11/00; A63F 71/00; G06F 3/02; G06F 3/033; G09G 5/00

See application file for complete search history.

(56) **References Cited**

U.S. PATENT DOCUMENTS

6,743,100	B1 *	6/2004	Neiser	463/37
7,235,012	B2 *	6/2007	DiDato	463/38
D553,619	S *	10/2007	Mak et al.	D14/401
7,762,553	B2 *	7/2010	Harris	273/148 B
D700,182	S *	2/2014	Kidakarn	D14/401
D712,409	S *	9/2014	Bellinghausen et al.	D14/401
D721,078	S *	1/2015	Bellinghausen et al.	D14/401
D726,726	S *	4/2015	Bellinghausen et al.	D14/401

* cited by examiner

Primary Examiner — Prabhakar Deshmukh

(74) *Attorney, Agent, or Firm* — Barceló, Harrison & Walker, LLP.

(57) **CLAIM**

The ornamental design for a controller, as shown and described.

DESCRIPTION

FIG. 1 is a perspective view of a controller showing our new design;

FIG. 2 is a front elevational view thereof;

FIG. 3 is a rear elevational view thereof;

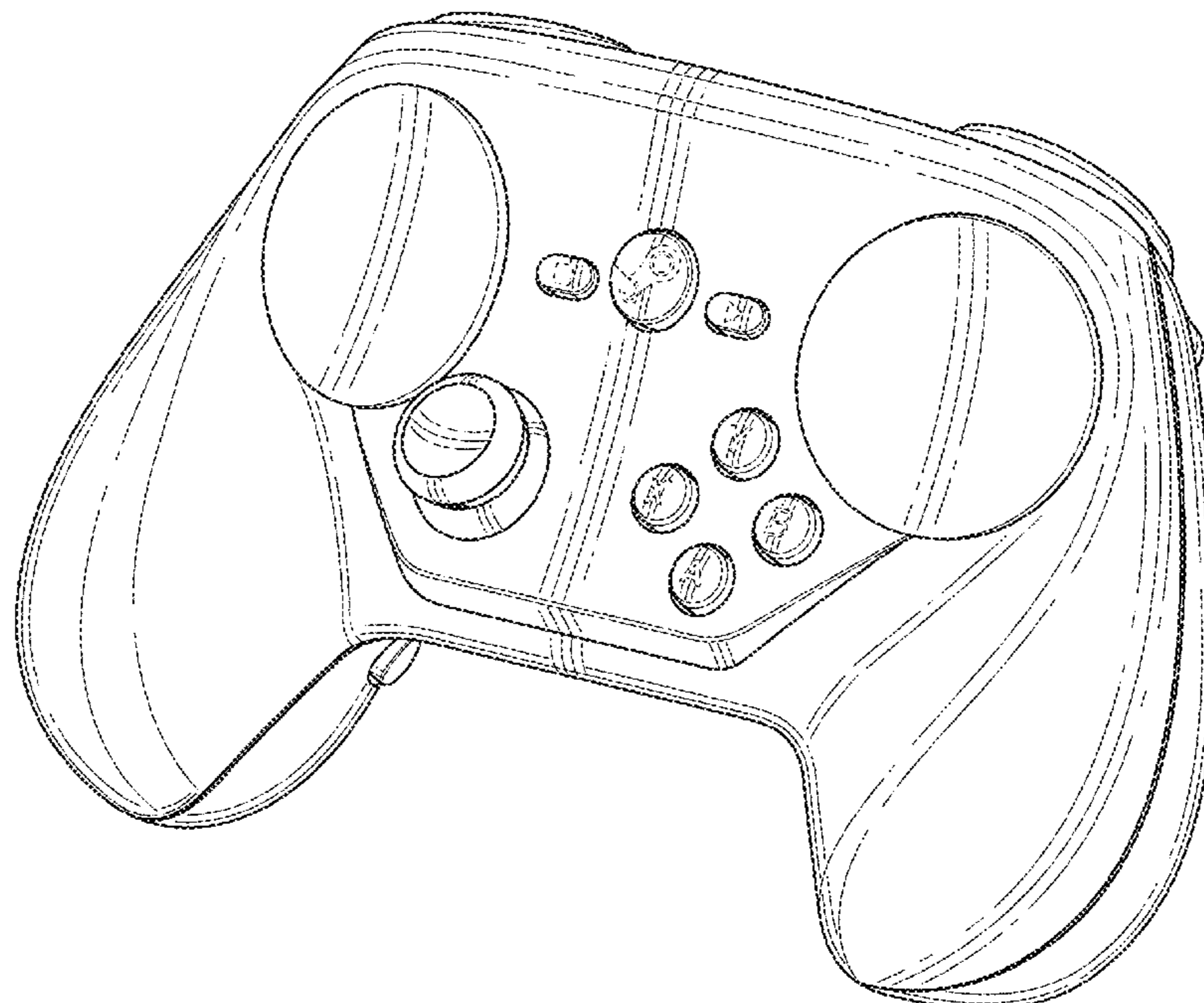
FIG. 4 is a right side elevational view thereof;

FIG. 5 is a left side elevational view thereof;

FIG. 6 is a top plan view thereof; and,

FIG. 7 is a bottom plan view thereof.

1 Claim, 7 Drawing Sheets



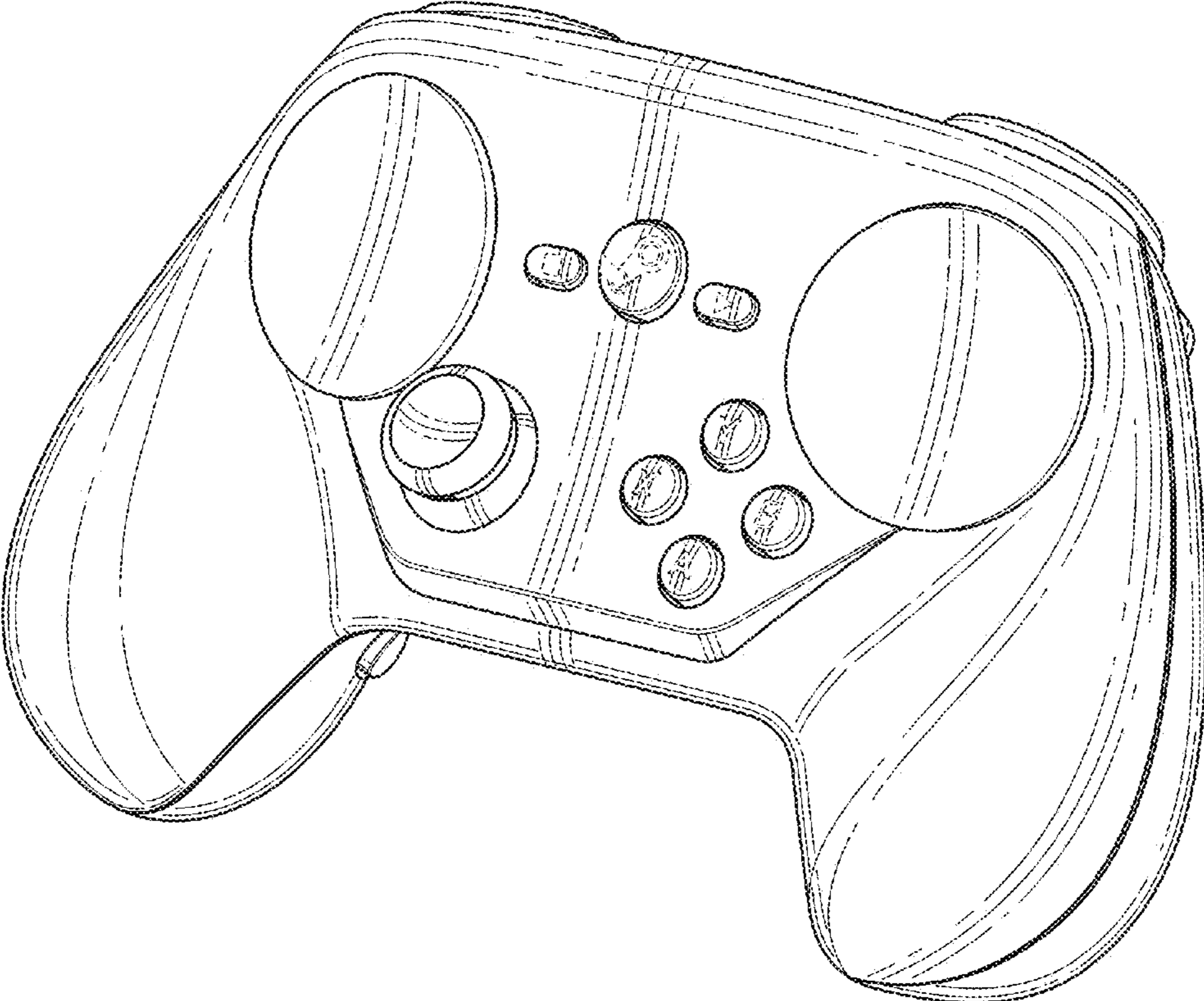


FIG. 1

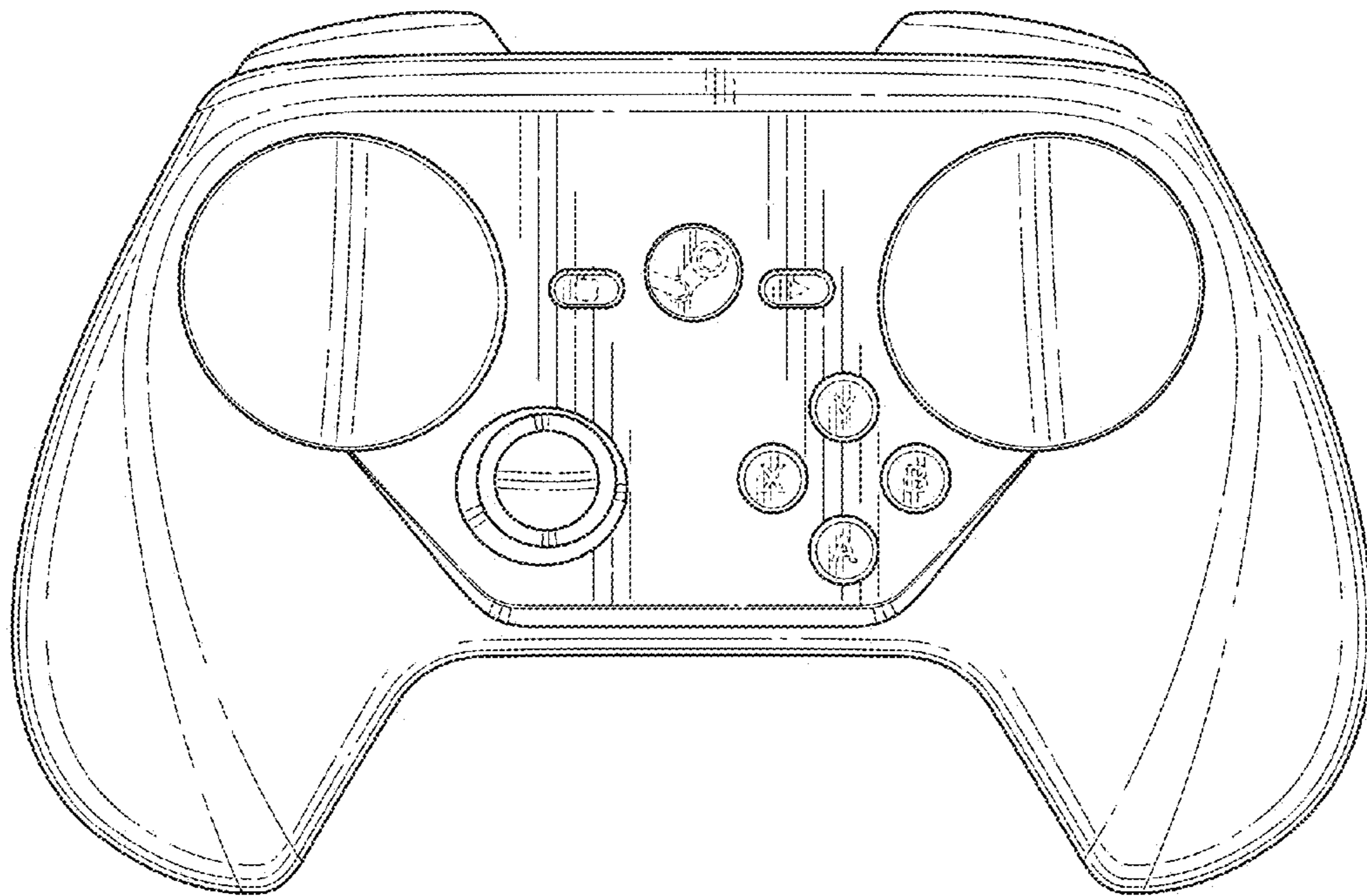


FIG. 2

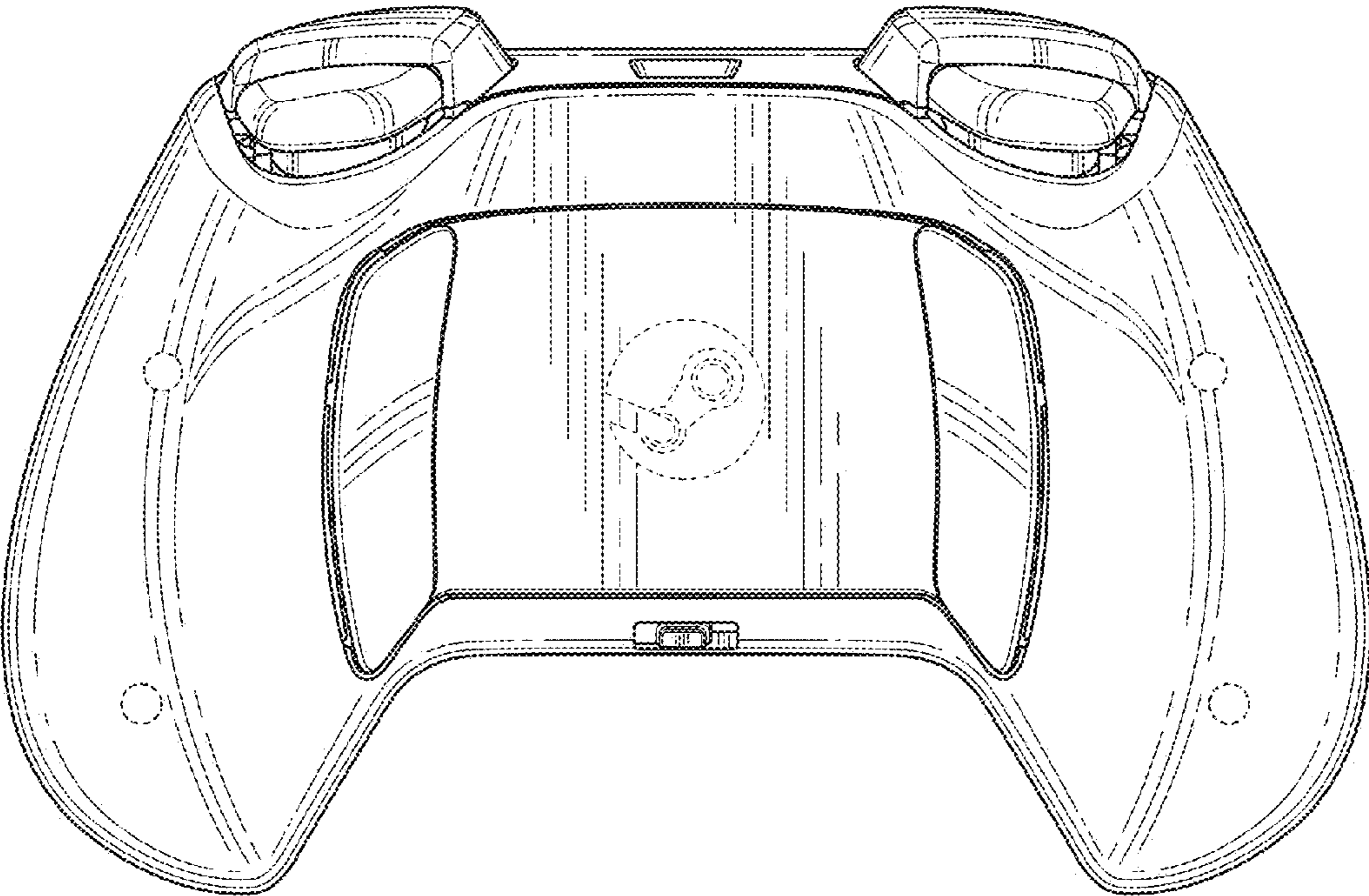


FIG. 3

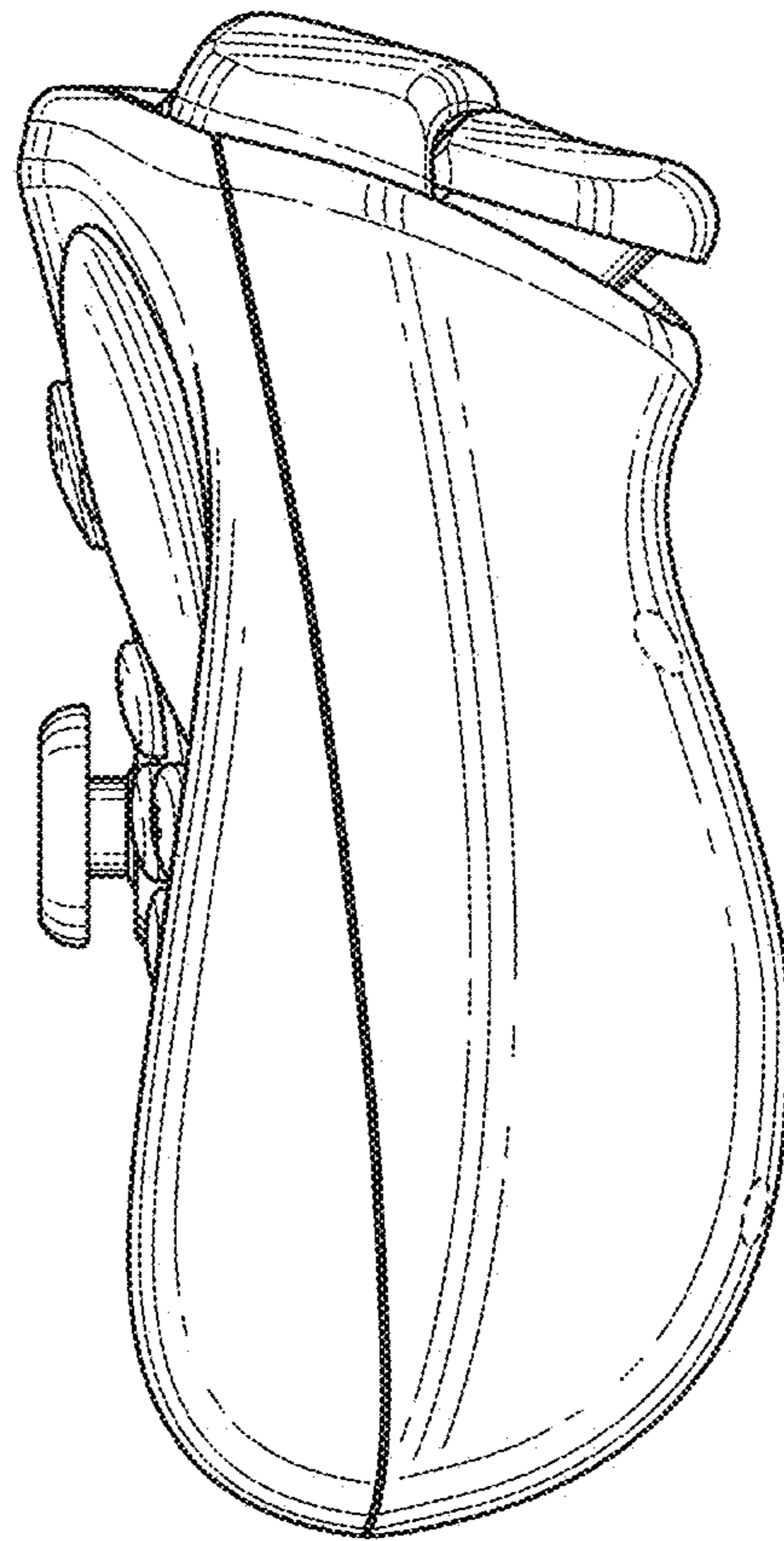


FIG. 4

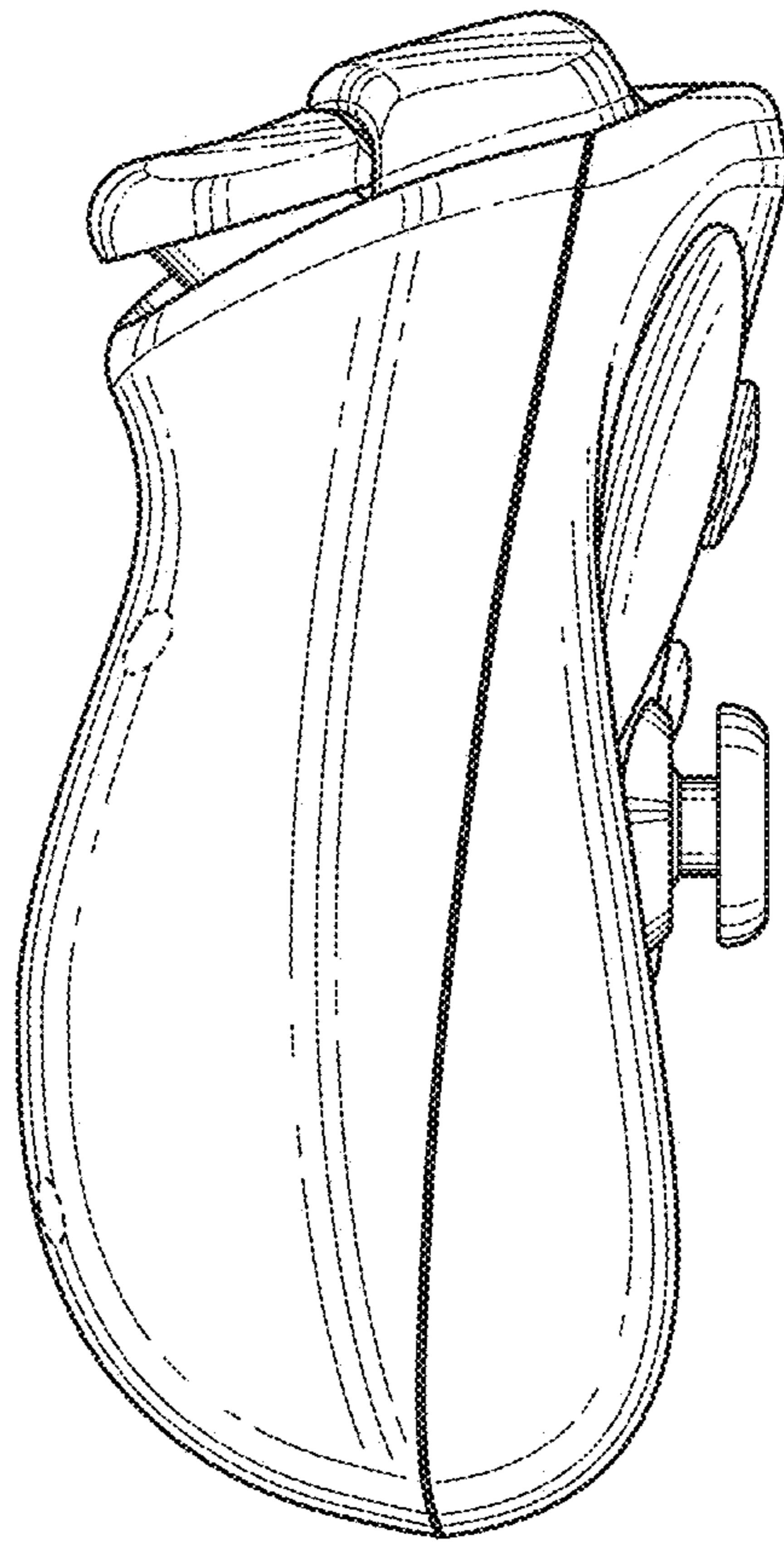


FIG. 5

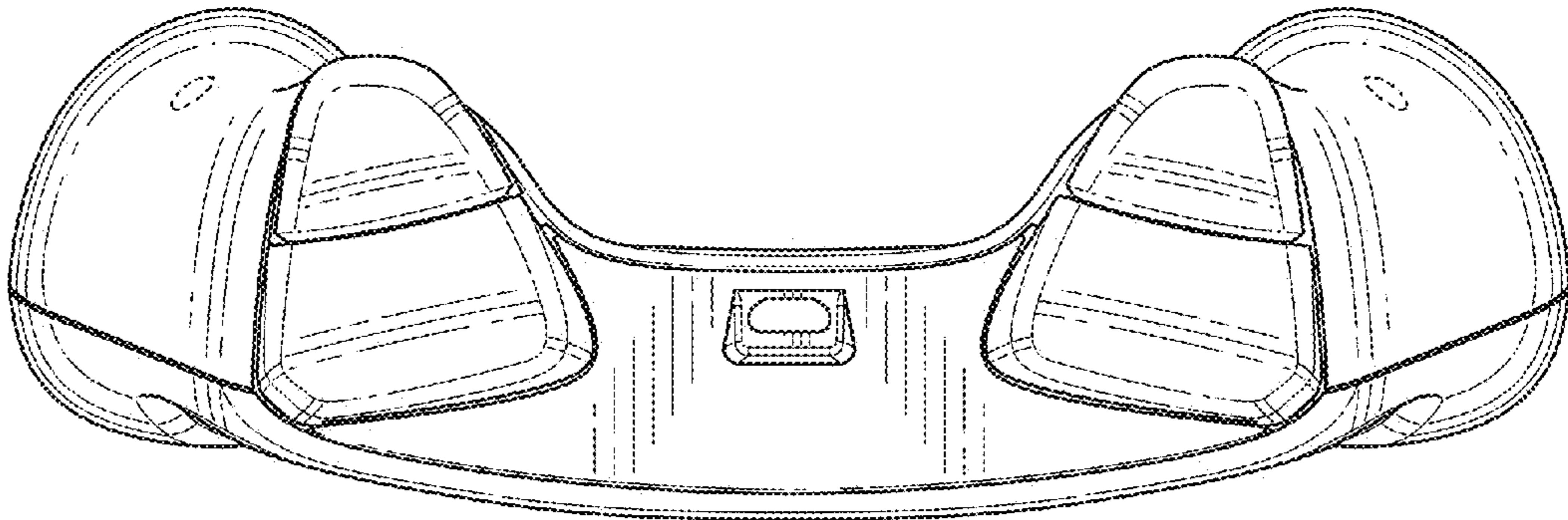


FIG. 6

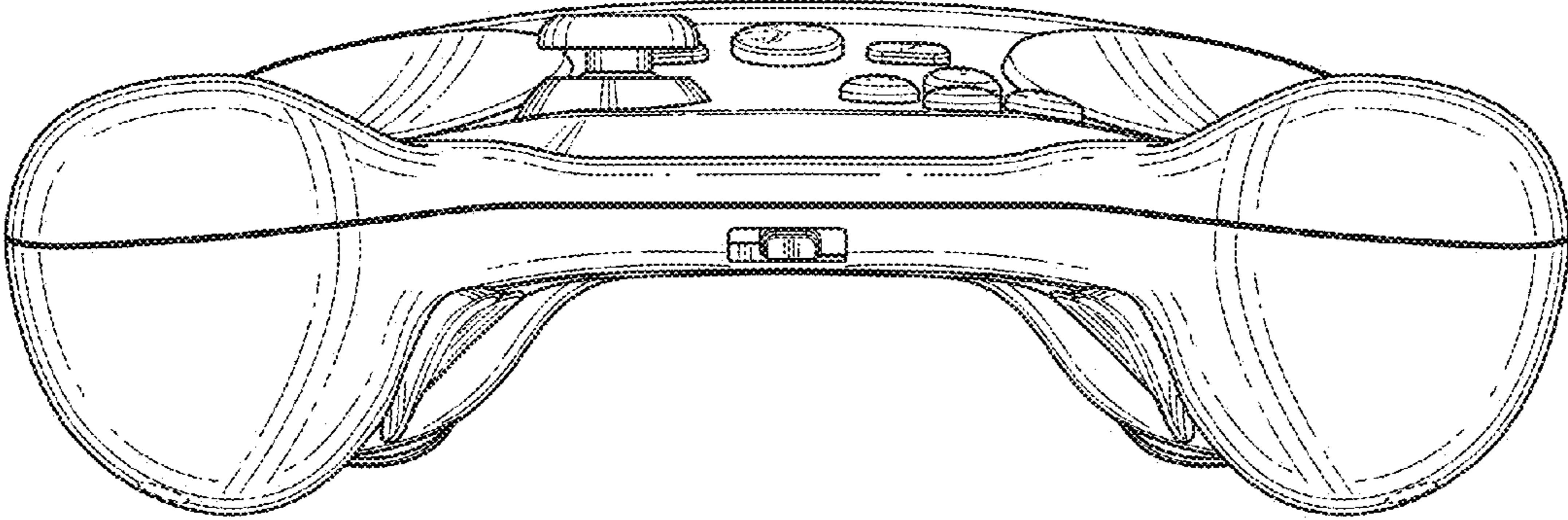


FIG. 7