



US00D740822S

(12) **United States Design Patent**
Lu et al.

(10) **Patent No.:** **US D740,822 S**
(45) **Date of Patent:** **** Oct. 13, 2015**

(54) **KEYBOARD FOR A NOTEBOOK COMPUTER**

(56)

References Cited

(71) Applicants: **FU DING ELECTRONICAL TECHNOLOGY (JIASHAN) CO., LTD.**, Zhejiang (CN); **HON HAI PRECISION INDUSTRY CO., LTD.**, New Taipei (TW)

(72) Inventors: **Luo-Liang Lu**, Jiashan (CN); **Chuang Wan**, Jiashan (CN); **Shi-Sheng Liu**, Jiashan (CN)

(73) Assignees: **FU DING ELECTRONICAL TECHNOLOGY (JIASHAN) CO., LTD.**, Zhejiang (CN); **HON HAI PRECISION INDUSTRY CO., LTD.**, New Taipei (TW)

(**) Term: **14 Years**

(21) Appl. No.: **29/464,215**

(22) Filed: **Aug. 14, 2013**

(30) **Foreign Application Priority Data**

Aug. 1, 2013 (CN) 2013 3 03680592

(51) **LOC (10) Cl.** **14-02**

(52) **U.S. Cl.**
USPC **D14/392**

(58) **Field of Classification Search**
USPC D14/391-399, 138 AD, 138 AA, 233, D14/315, 341, 434, 439; D18/1, 2, 7; 178/17 A, 17 C; 200/5 A, 5 R, 6 A, 6 R; 235/145 A, 145 R; 341/22, 23; 345/160, 345/168, 169, 173; 400/484-489, 462; D5/59; D16/134; 472/63; 428/30; 359/457

CPC G06F 3/0231; G06F 3/0233; G06F 3/0232
See application file for complete search history.

U.S. PATENT DOCUMENTS

794,045	A	*	7/1905	Pope et al.	428/30
D37,524	S	*	8/1905	Pope et al.	D5/59
2,529,701	A	*	11/1950	Maloff	359/457
2,958,148	A	*	11/1960	Sylvester et al.	428/30
3,661,385	A	*	5/1972	Schneider	472/63
D606,049	S	*	12/2009	Matsuda et al.	D14/223
D611,028	S	*	3/2010	Nilsen et al.	D14/138 AD
D627,379	S	*	11/2010	Peng et al.	D16/134
D636,396	S	*	4/2011	Li	D14/439
D637,596	S	*	5/2011	Akana et al.	D14/341
D643,396	S	*	8/2011	Hou	D14/138 AA
D650,378	S	*	12/2011	Lee et al.	D14/315
D682,832	S	*	5/2013	Smith et al.	D14/391

* cited by examiner

Primary Examiner — Ian Simmons

Assistant Examiner — Harold Blackwell, II

(74) *Attorney, Agent, or Firm* — Novak Druce Connolly Bove + Quigg LLP

(57) **CLAIM**

The ornamental design for a keyboard for a notebook computer, as shown and described.

DESCRIPTION

FIG. 1 is a perspective view of a keyboard for a notebook computer showing my design.

FIG. 2 is a front elevational view thereof.

FIG. 3 is a rear elevational view thereof.

FIG. 4 is a left-side elevational view thereof.

FIG. 5 is a right-side elevational view thereof.

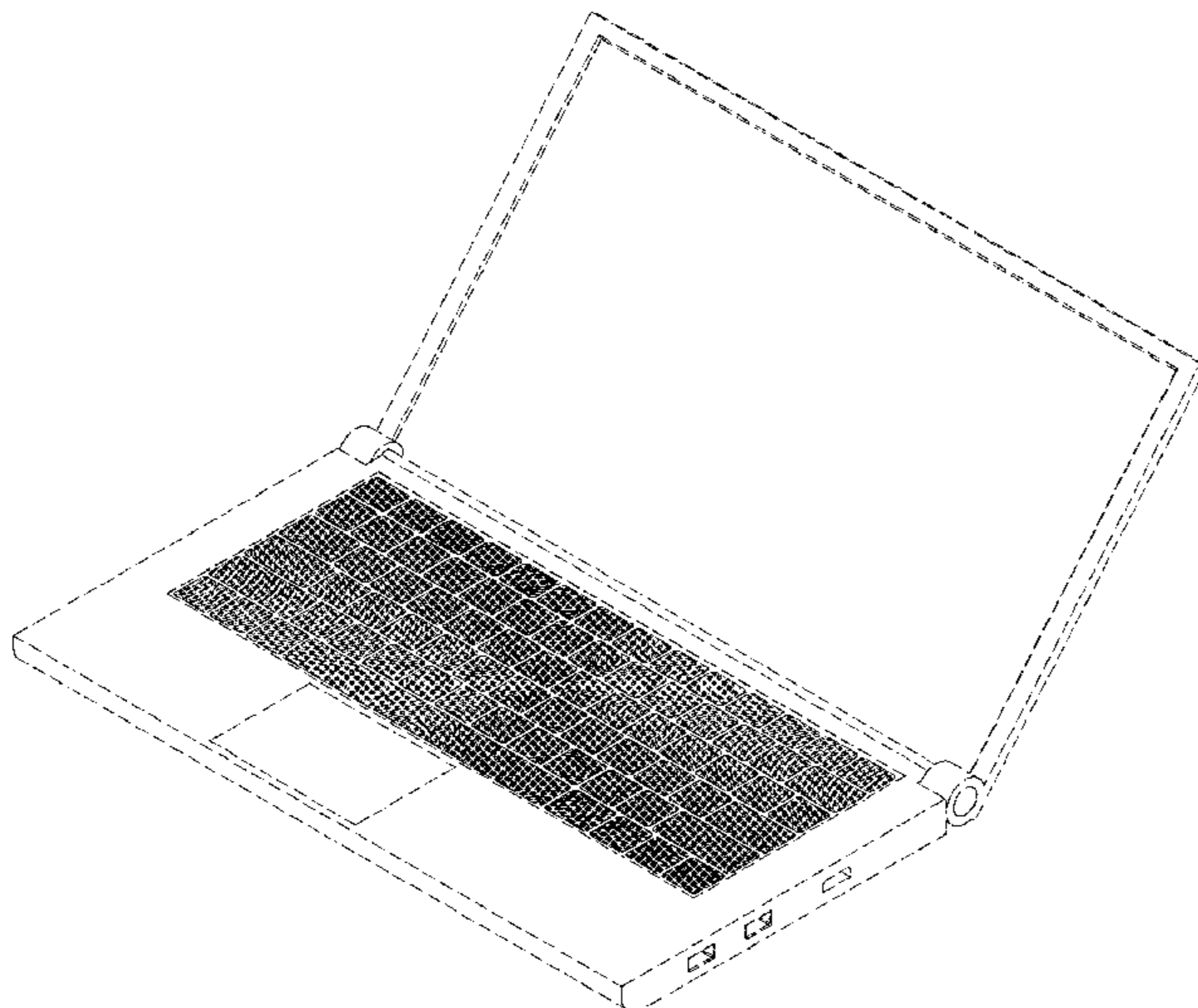
FIG. 6 is a top plan view thereof.

FIG. 7 is a bottom plan view thereof; and,

FIG. 8 is an enlarged view of circled portion A of the keyboard for a notebook computer of FIG. 6.

The broken lines in the drawings illustrate portions of a keyboard for a notebook computer which form no part of the claimed design.

1 Claim, 8 Drawing Sheets



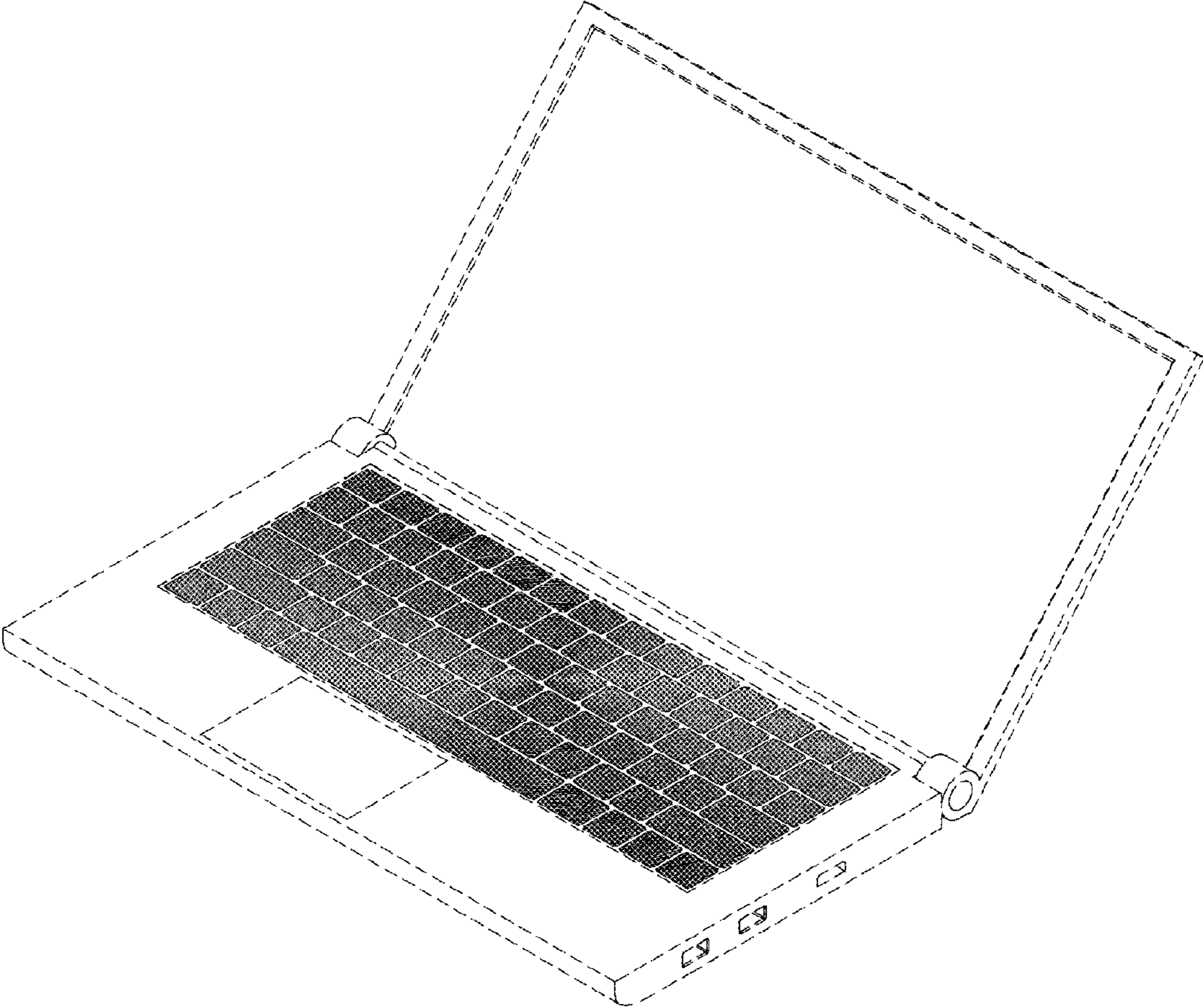


FIG. 1

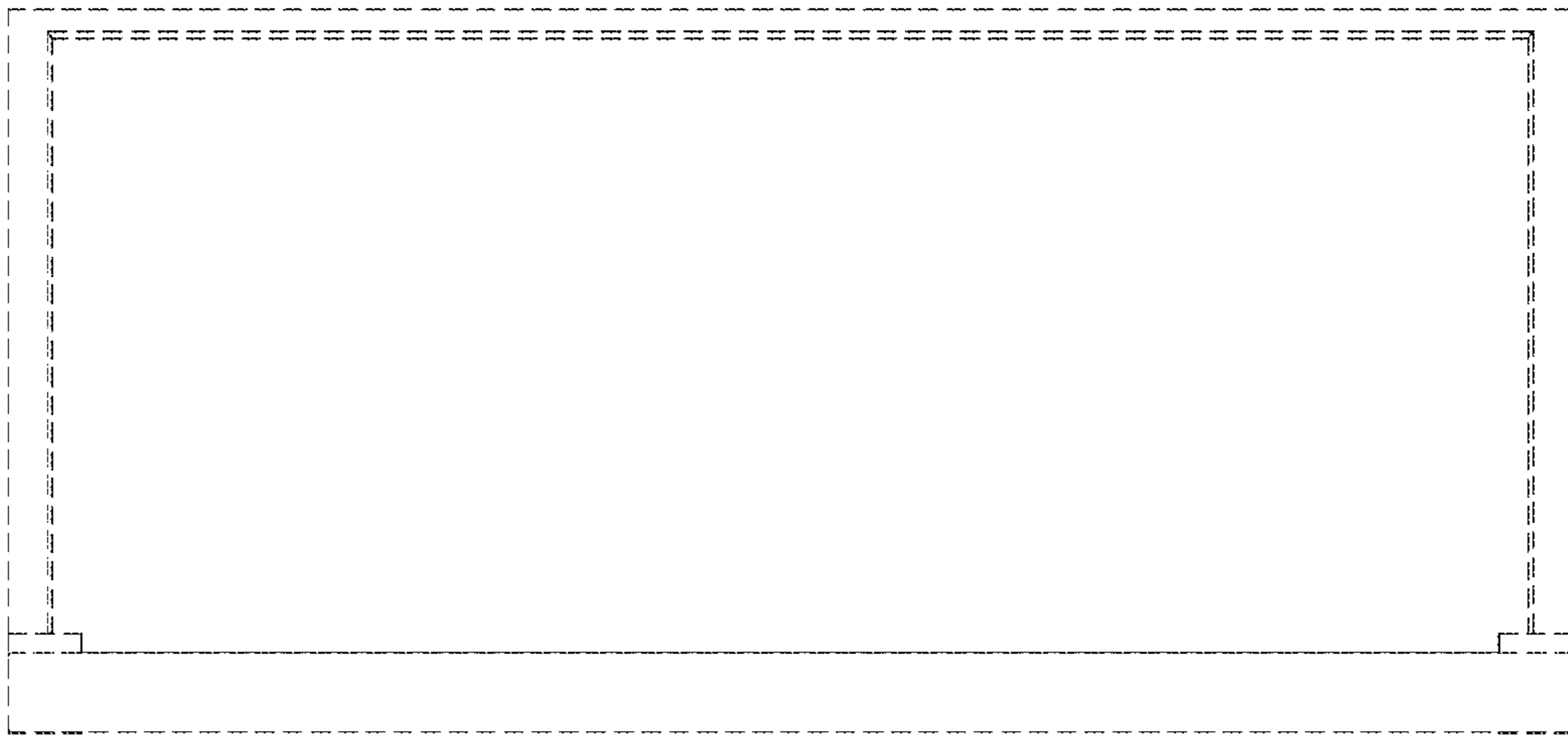


FIG. 2



FIG. 3

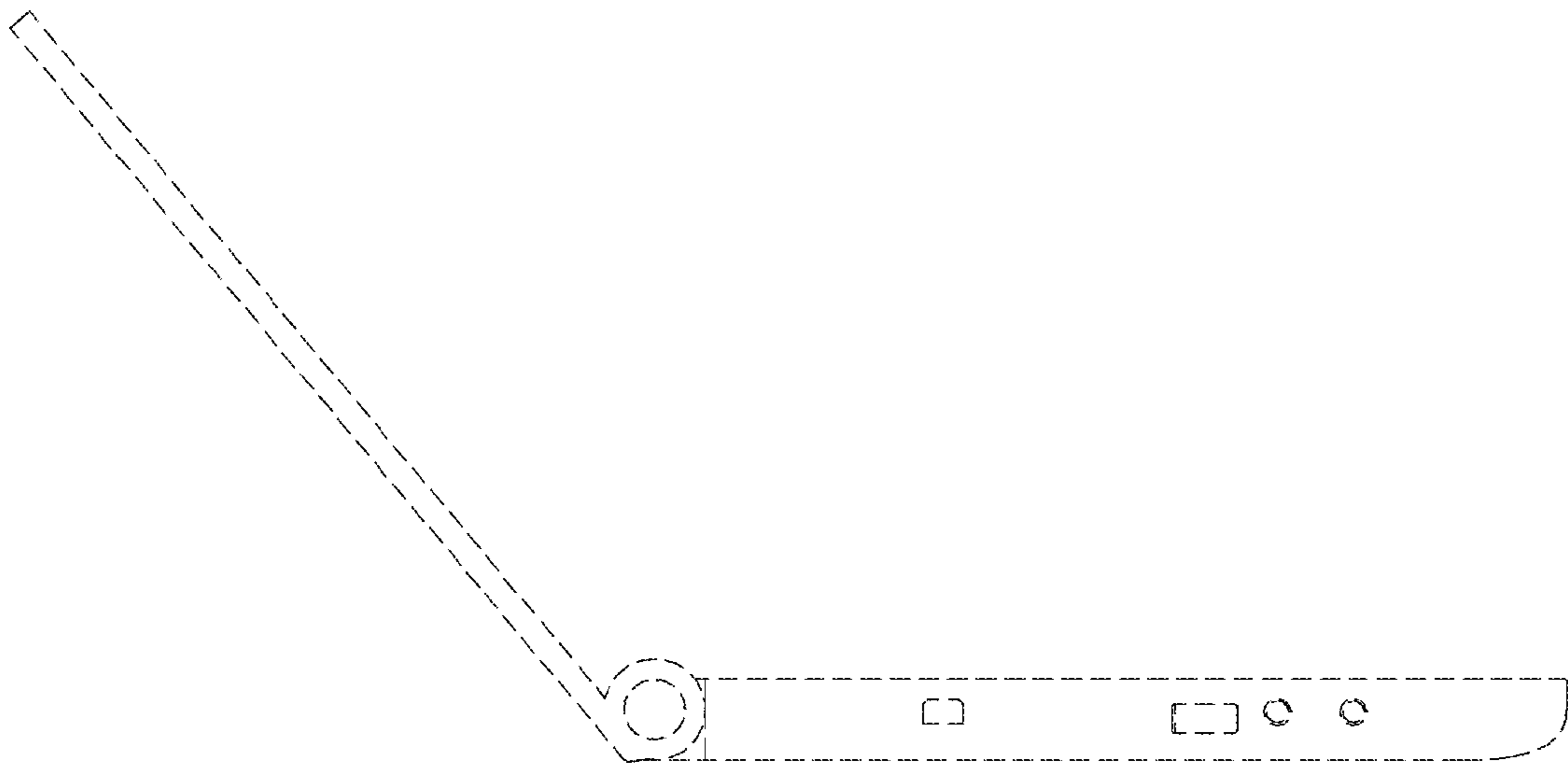


FIG. 4

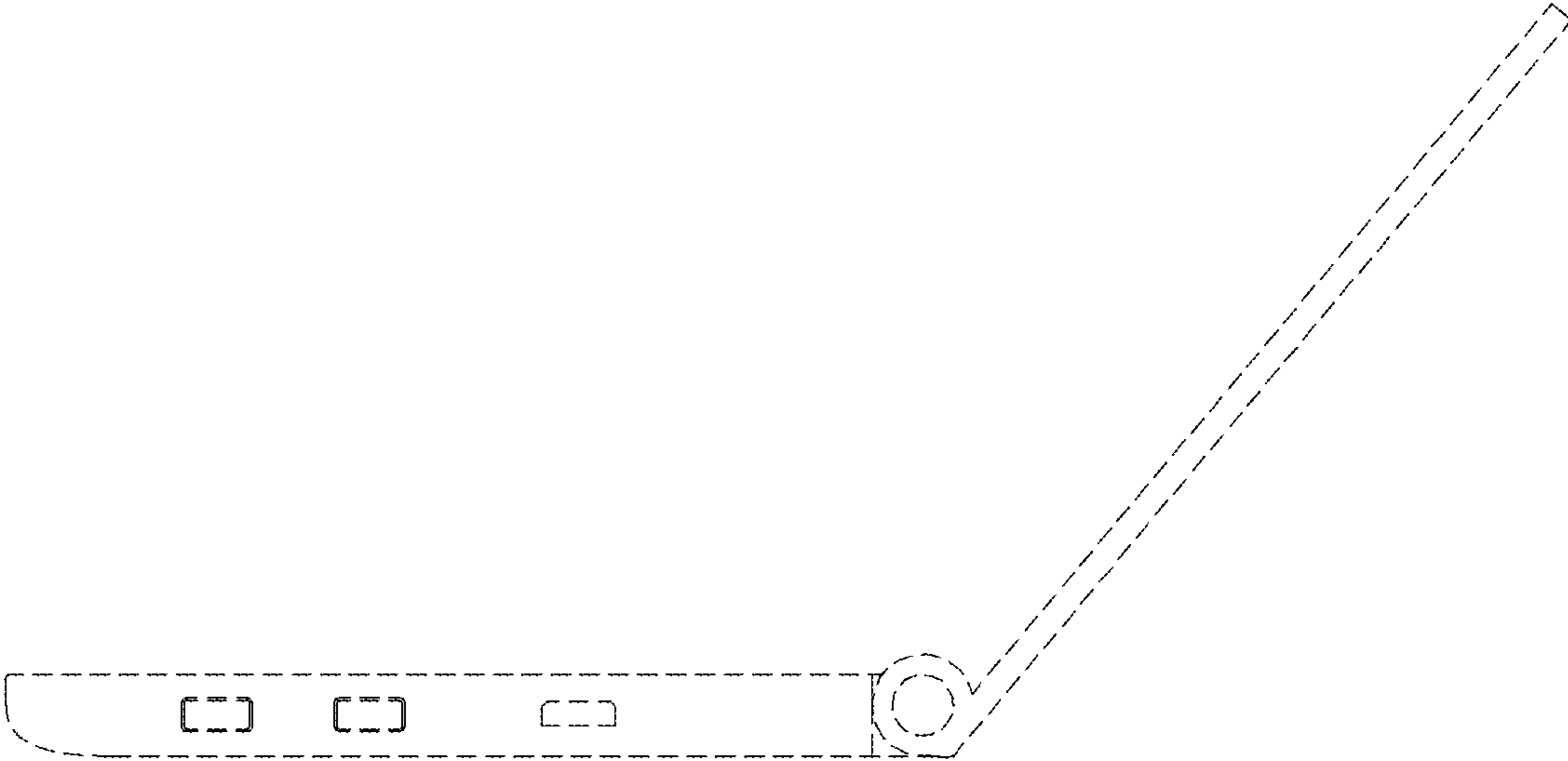


FIG. 5

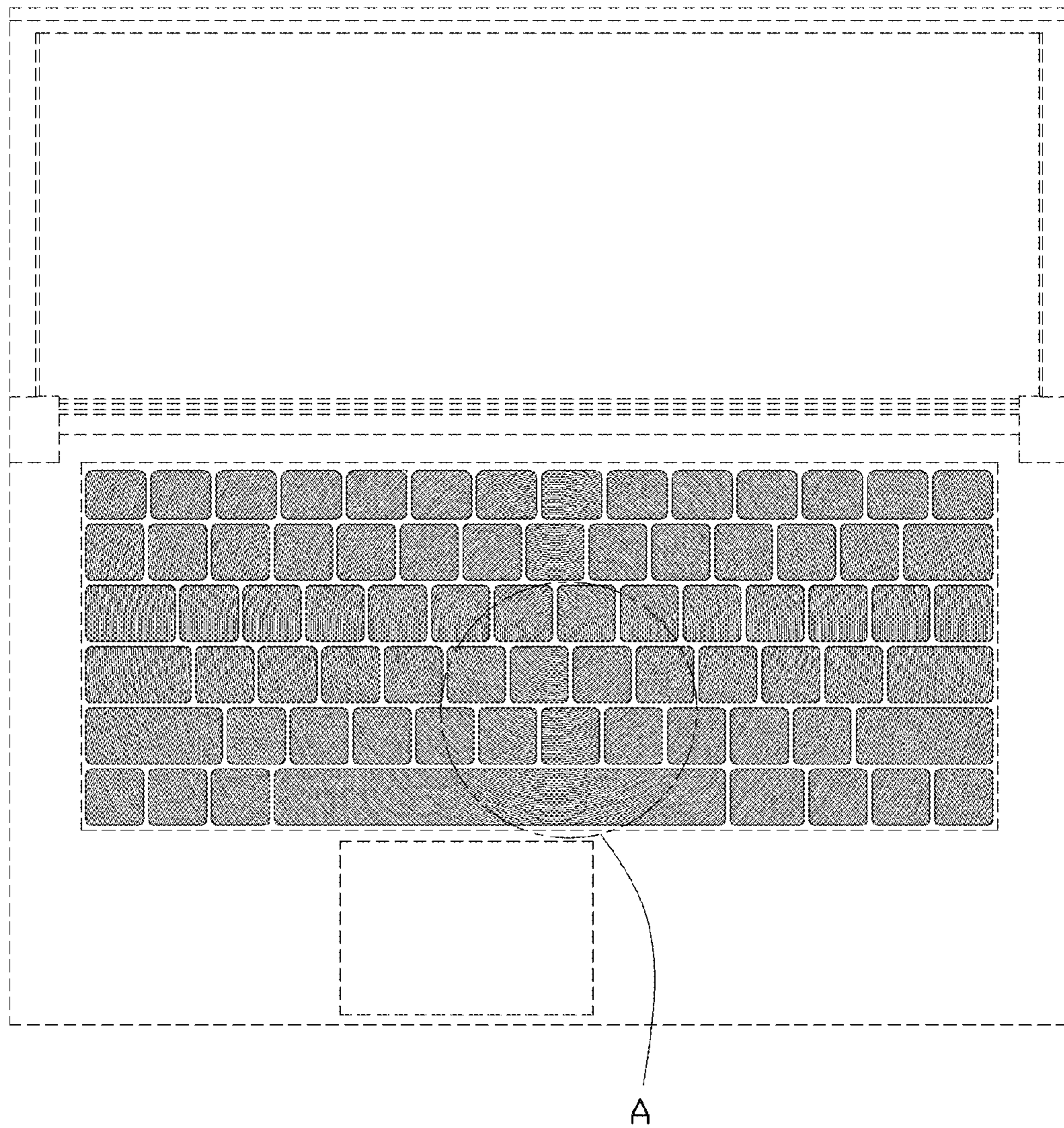


FIG. 6

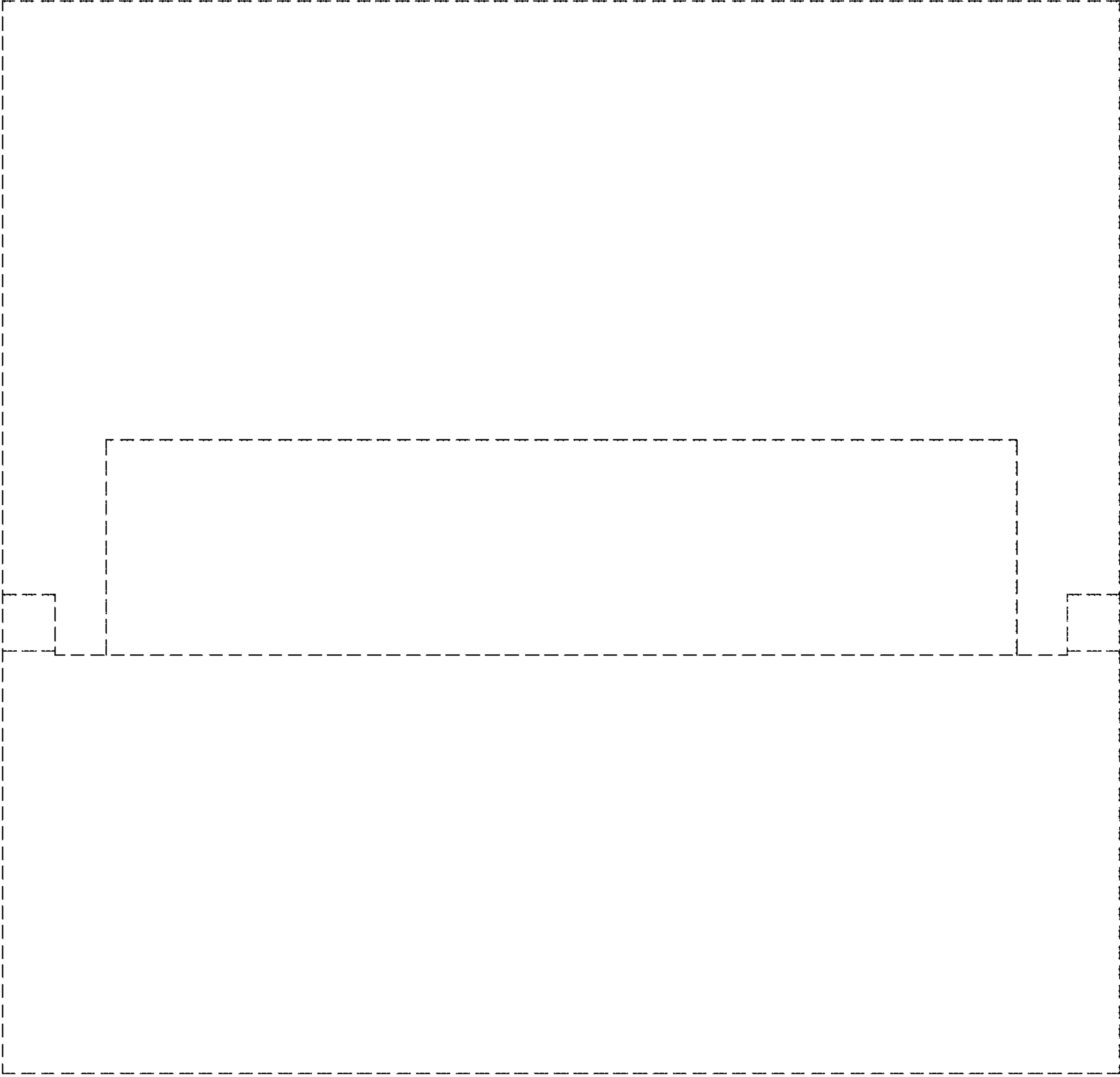


FIG. 7

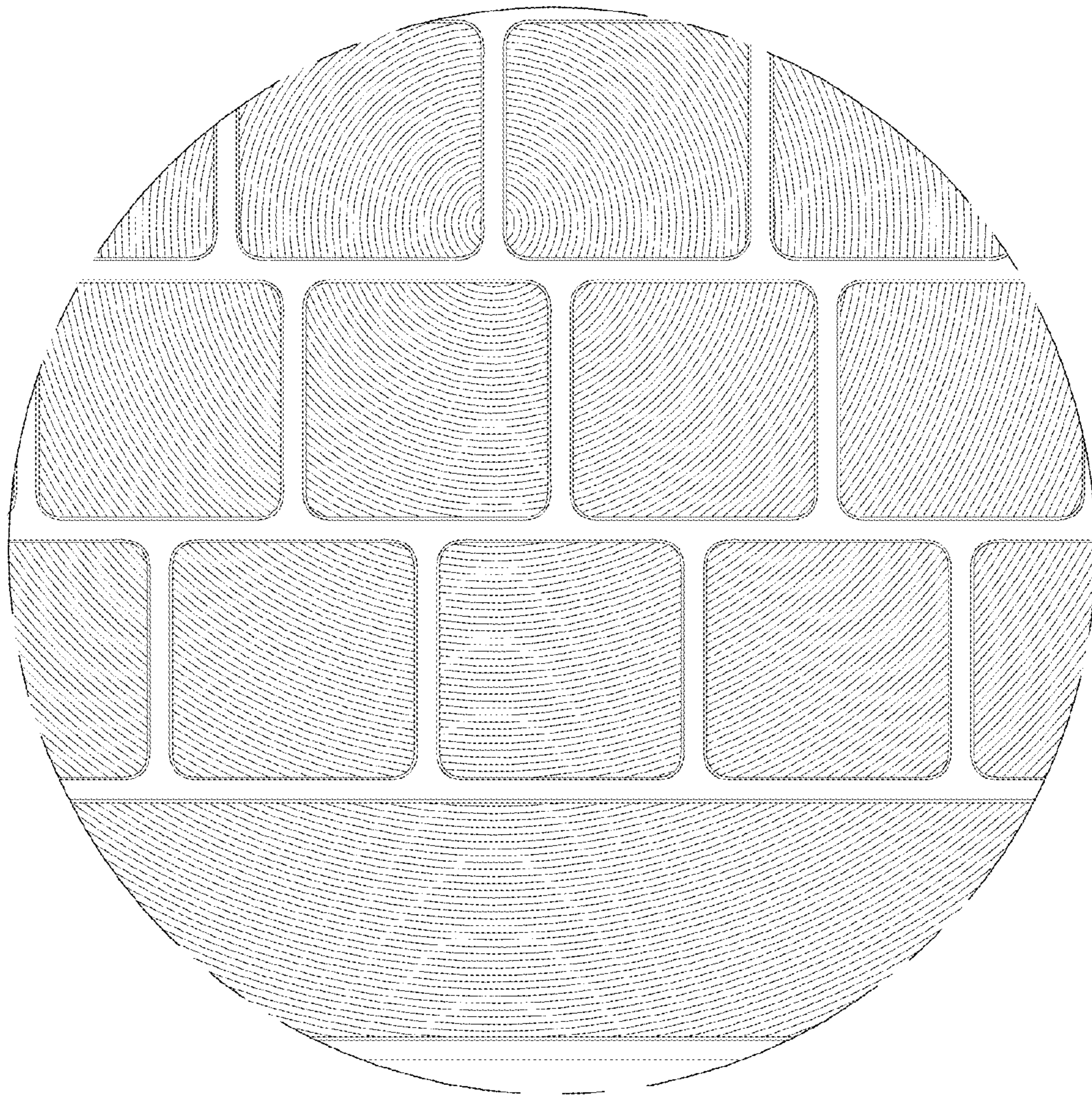


FIG. 8