



US00D740819S

(12) **United States Design Patent**  
**Weber et al.**

(10) **Patent No.:** **US D740,819 S**  
(45) **Date of Patent:** **\*\* Oct. 13, 2015**

(54) **CARD READER**

(71) Applicant: **Square, Inc.**, San Francisco, CA (US)

(72) Inventors: **Trent Weber**, San Francisco, CA (US);  
**Elliot Sather**, San Francisco, CA (US)

(73) Assignee: **Square, Inc.**, San Francisco, CA (US)

(\*\*) Term: **14 Years**

(21) Appl. No.: **29/487,975**

(22) Filed: **Apr. 14, 2014**

(51) **LOC (10) Cl.** ..... **14-02**

(52) **U.S. Cl.**  
USPC ..... **D14/385**

(58) **Field of Classification Search**  
USPC ..... D14/356–358, 383–385, 420, 426, 427,  
D14/432–439, 447, 453, 454, 217, 253,  
D14/299; D13/107, 108, 133, 146, 147,  
D13/152, 154, 156, 158, 162, 162.1, 168,  
D13/173, 177, 102; 235/441, 451, 492, 380,  
235/439, 375; 361/679.31, 600, 679.01,  
361/679.02

CPC ... G06Q 20/347; G06Q 20/322; G06Q 40/02;  
G06Q 30/06; G07F 7/0886

See application file for complete search history.

(56) **References Cited**

U.S. PATENT DOCUMENTS

D417,442 S *	12/1999	Butts et al.	.....	D14/385
D477,321 S *	7/2003	Baughman	.....	D14/385
D590,828 S *	4/2009	Sherrod et al.	.....	D14/385
D607,000 S *	12/2009	Cheng et al.	.....	D14/385
D653,664 S *	2/2012	Turnbull et al.	.....	D14/385
D675,618 S *	2/2013	Behar et al.	.....	D14/385

D680,537 S *	4/2013	Miller et al.	.....	D14/385
D686,208 S *	7/2013	Miller et al.	.....	D14/385
D700,606 S *	3/2014	Lo	.....	D14/385
D706,266 S *	6/2014	Rotsaert	.....	D14/385
D711,876 S *	8/2014	McWilliam et al.	.....	D14/385
D725,655 S *	3/2015	Debaigue et al.	.....	D14/385
D728,568 S *	5/2015	Debaigue et al.	.....	D14/385
2012/0118959 A1 *	5/2012	Sather et al.	.....	235/449
2012/0132712 A1 *	5/2012	Babu et al.	.....	235/449

\* cited by examiner

*Primary Examiner* — Austin Murphy

(74) *Attorney, Agent, or Firm* — Novak Druce Connolly  
Bove + Quigg LLP

(57) **CLAIM**

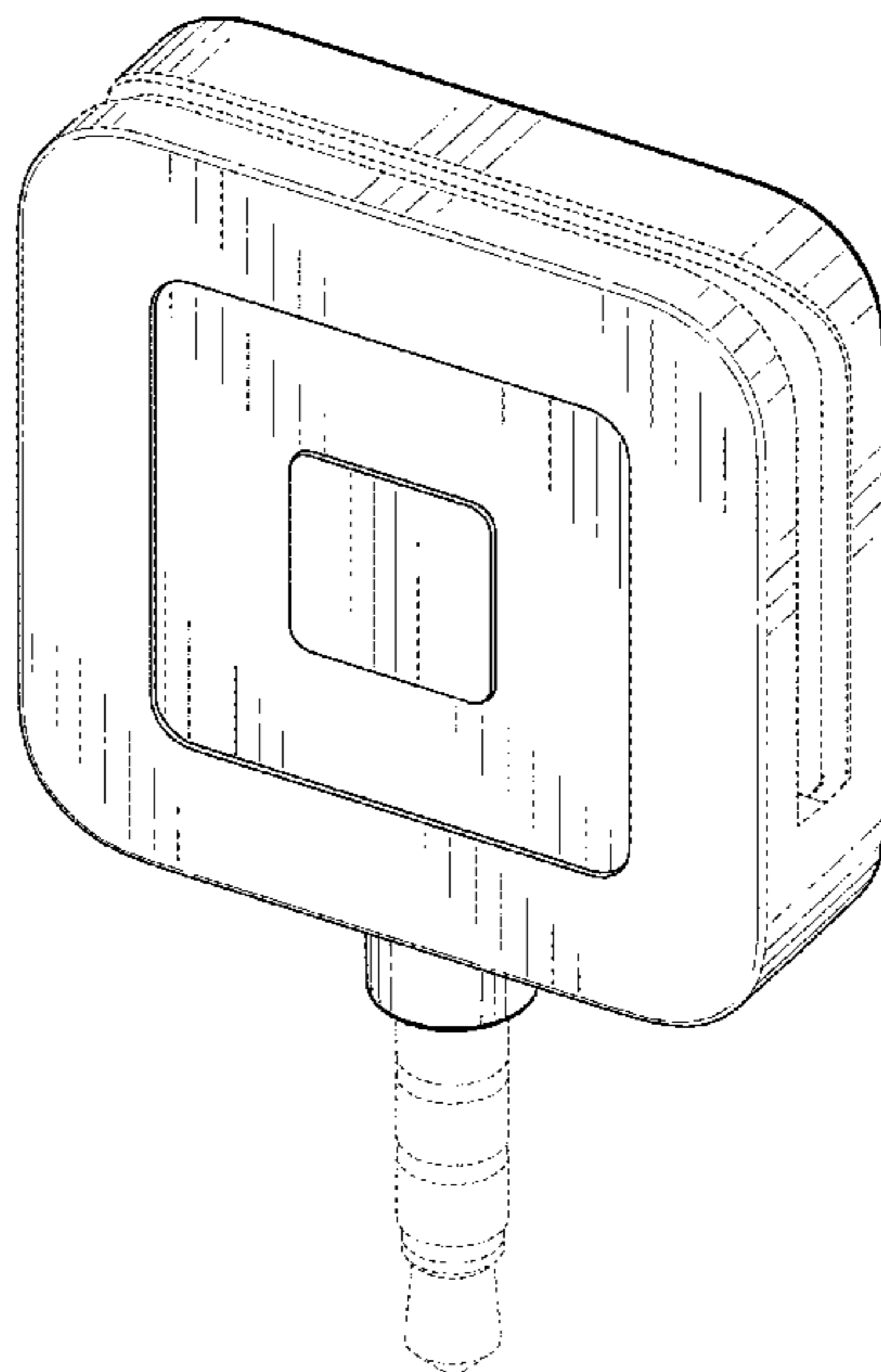
We claim the ornamental design for a card reader, as shown  
and described.

**DESCRIPTION**

FIG. 1 is a perspective view of a card reader;  
FIG. 2 is a top plan view thereof;  
FIG. 3 is a bottom plan view thereof;  
FIG. 4 is a right side elevational view thereof;  
FIG. 5 is a left side elevational view thereof;  
FIG. 6 is a front elevational view thereof;  
FIG. 7 is a rear elevational view thereof;  
FIG. 8 is a cross-sectional view thereof taken along axis 8-8  
from FIG. 2; and,  
FIG. 9 is a cross-sectional view thereof taken along axis 9-9  
from FIG. 2.

Cross-sectional views opposite those of FIGS. 8 and 9 are  
mirror images, and are therefore not shown. Broken lines are  
used to illustrate unclaimed portions of the card reader; broken  
lines form no part of the claimed design.

**1 Claim, 9 Drawing Sheets**



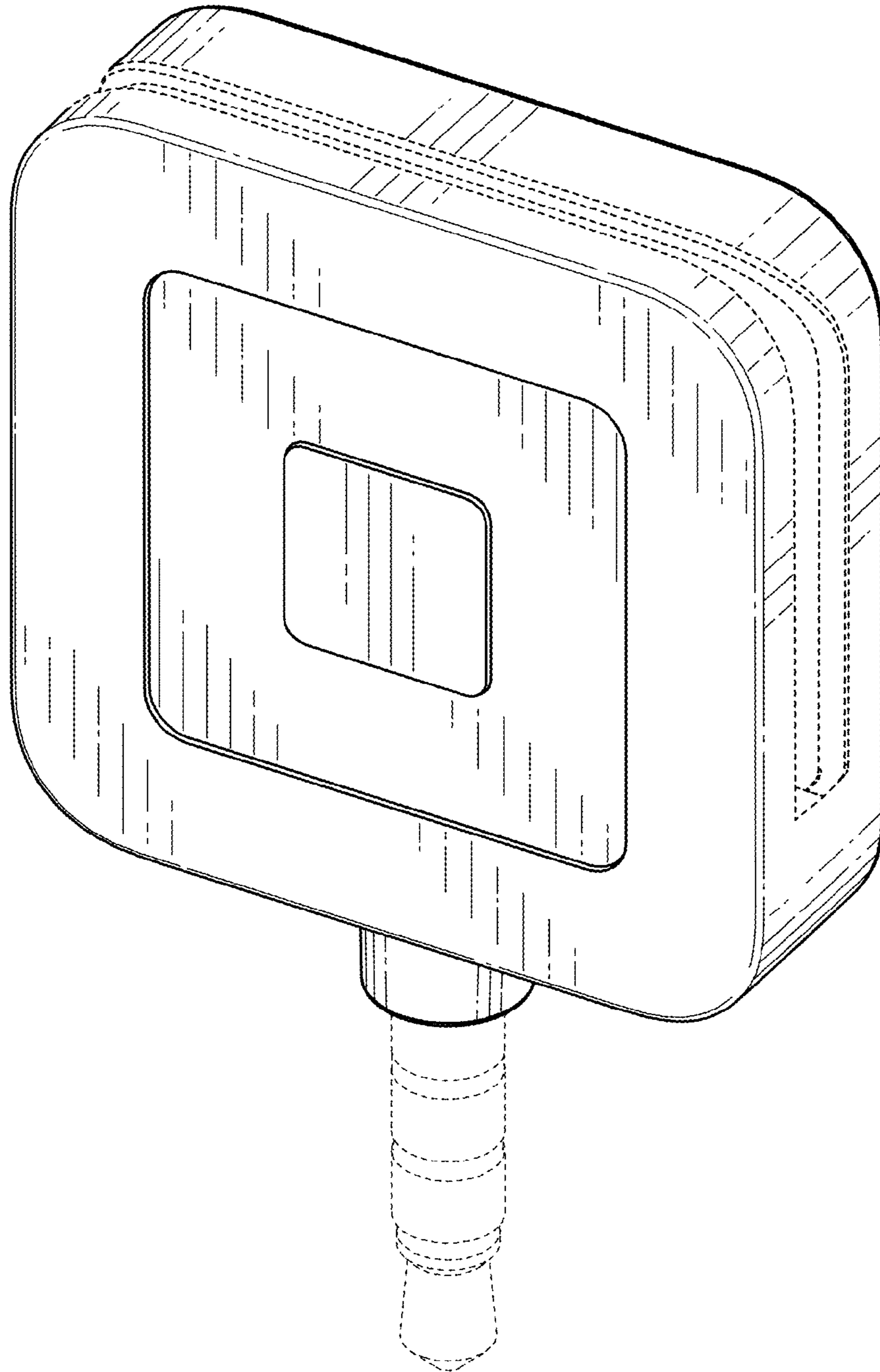


FIG. 1

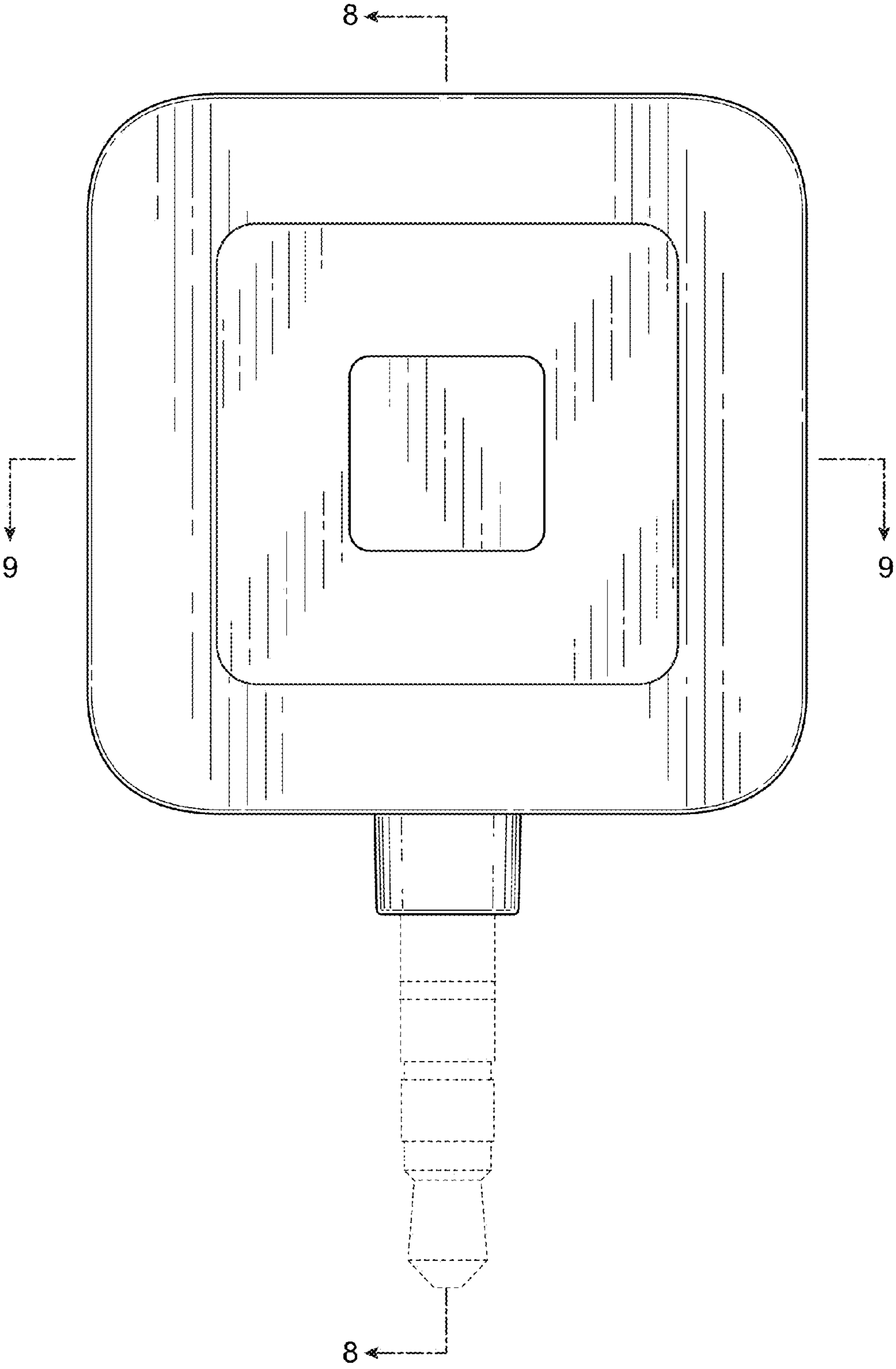


FIG. 2

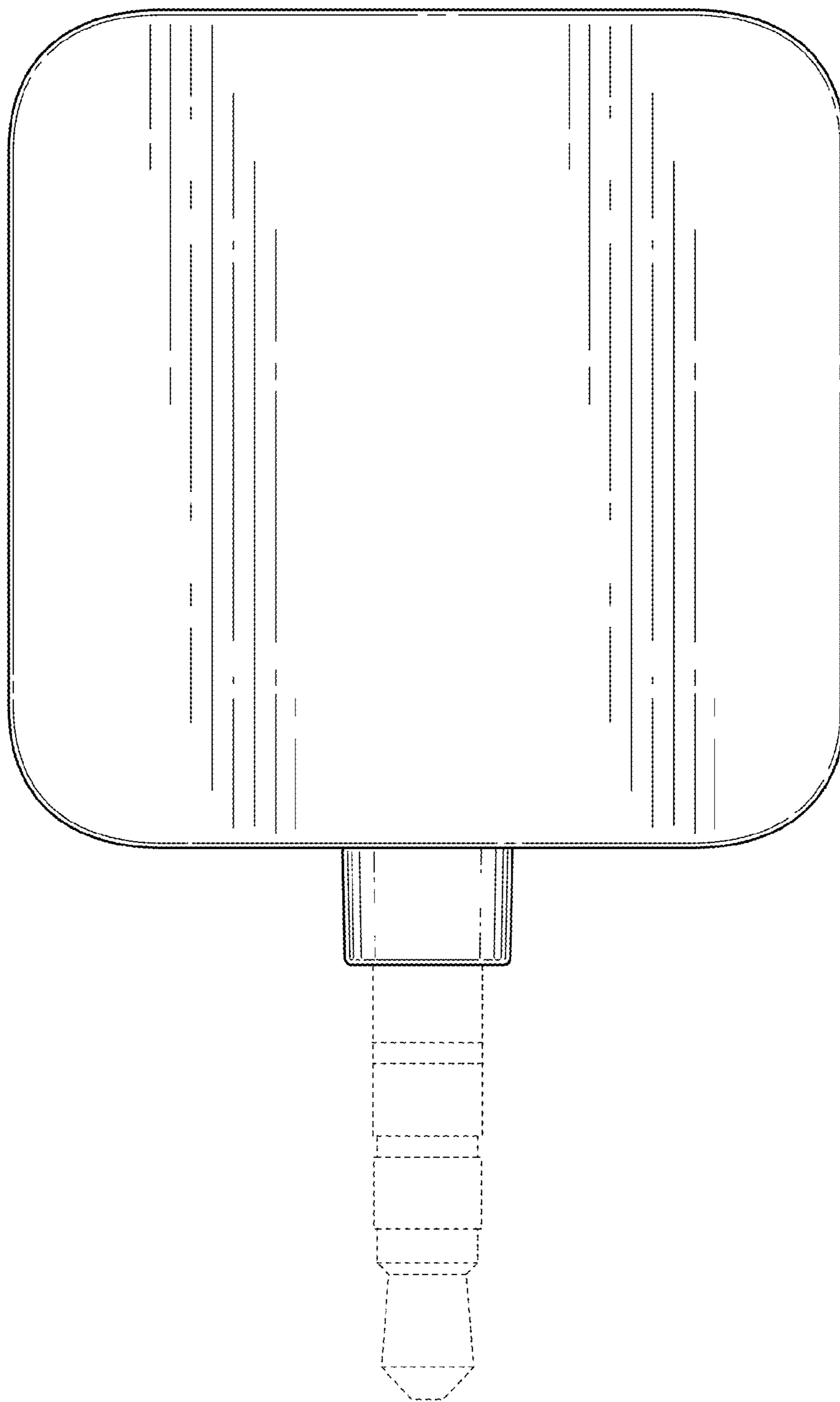


FIG. 3

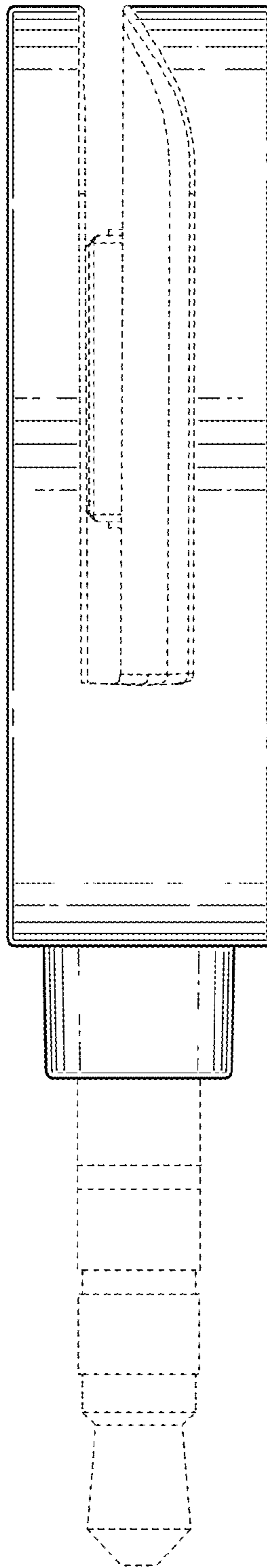


FIG. 4

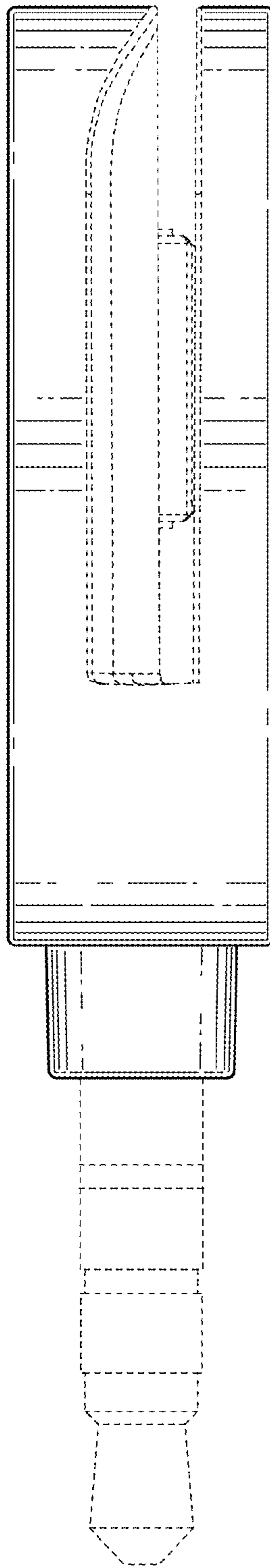


FIG. 5

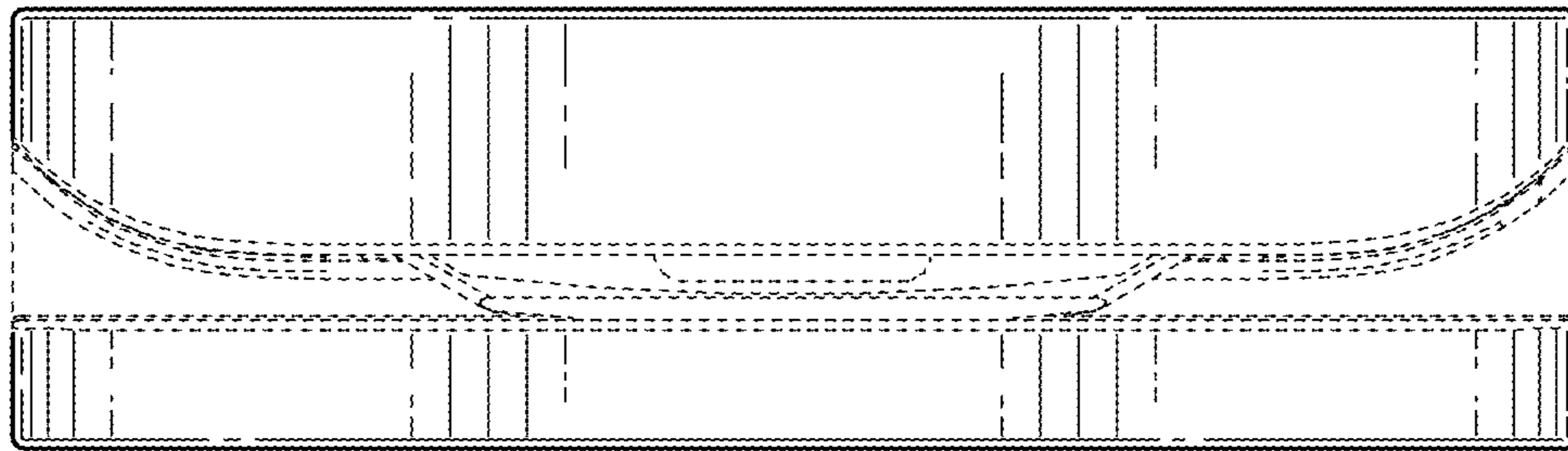


FIG. 6

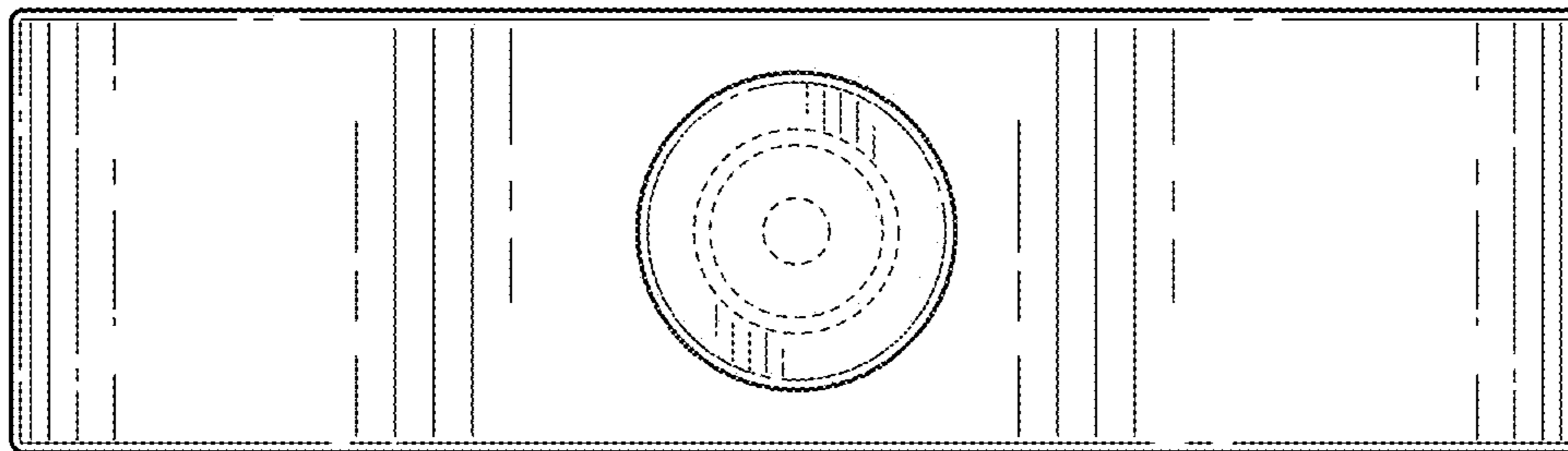


FIG. 7



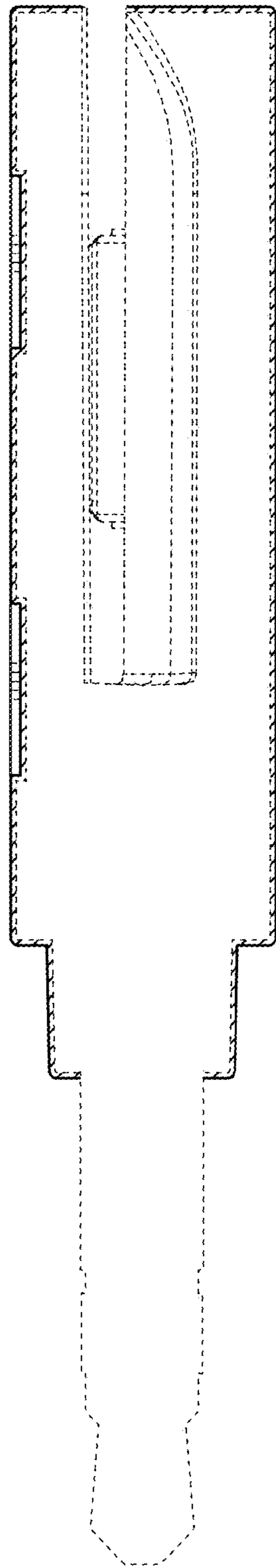


FIG. 8

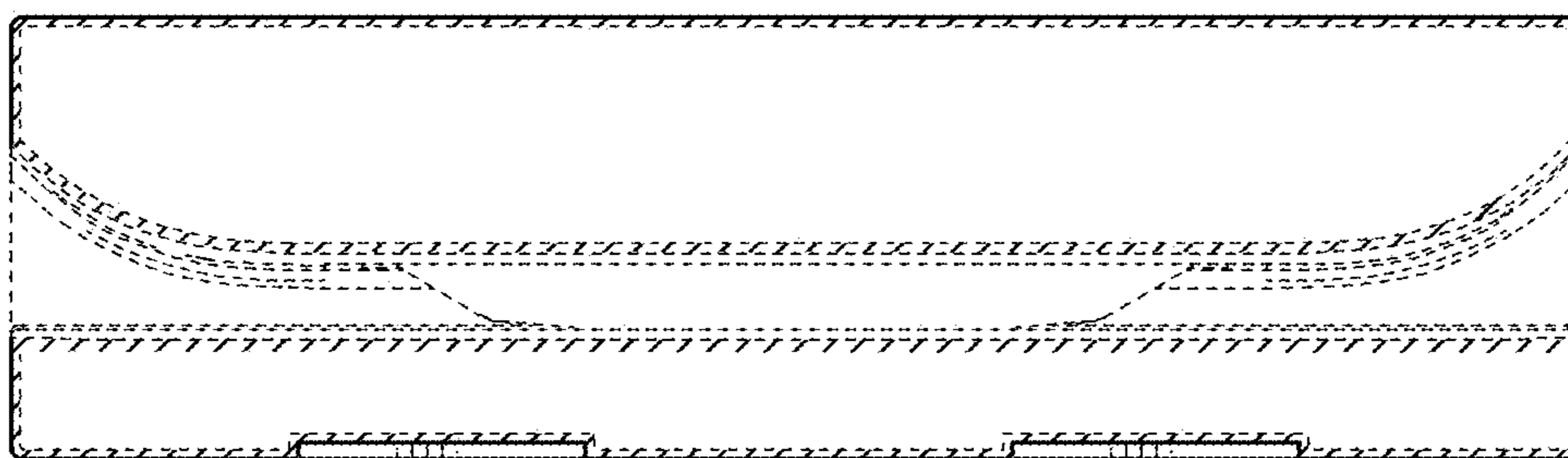


FIG. 9