

US00D740815S

(12) **United States Design Patent**
Bosveld et al.

(10) **Patent No.:** **US D740,815 S**
(45) **Date of Patent:** **** Oct. 13, 2015**

(54) **HEADSET WITH VISOR**

(56) **References Cited**

(71) Applicant: **Microsoft Corporation**, Redmond, WA (US)

U.S. PATENT DOCUMENTS

(72) Inventors: **Paul Bosveld**, Seattle, WA (US); **Nicolas Denhez**, Seattle, WA (US); **YeongKyu Yoo**, Bellevue, WA (US); **Phil Frank**, Portland, OR (US); **Young Duk Song**, Kirkland, WA (US); **Henric Jentz**, Seattle, WA (US); **Aditha Adams**, Seattle, WA (US); **Travis Hosler**, Seattle, WA (US); **Andrew Hodge**, Palo Alto, CA (US)

D601,641 S *	10/2009	Yeung	D21/483
D687,434 S *	8/2013	Serota	D14/372
D701,206 S *	3/2014	Luckey et al.	D14/372
D704,706 S *	5/2014	Serota	D14/372
D709,880 S *	7/2014	Kim et al.	D14/372
D714,786 S *	10/2014	Pombo et al.	D14/372
D719,953 S *	12/2014	Nokuo et al.	D14/372
D722,054 S *	2/2015	Serota	D14/372
D724,559 S *	3/2015	Reaux	D14/205
D727,318 S *	4/2015	Garcia Marin et al.	D14/372
D727,896 S *	4/2015	Laluque	D14/372
2013/0237146 A1 *	9/2013	Serota	455/12.1
2013/0285886 A1 *	10/2013	Pombo et al.	345/8

* cited by examiner

(73) Assignee: **Microsoft Corporation**, Redmond, WA (US)

Primary Examiner — Austin Murphy

(74) *Attorney, Agent, or Firm* — Banner & Witcoff, Ltd.

(**) Term: **14 Years**

(57) **CLAIM**

The ornamental design for a headset with visor, as shown and described.

(21) Appl. No.: **29/515,200**

DESCRIPTION

(22) Filed: **Jan. 20, 2015**

(51) **LOC (10) Cl.** **14-02**

(52) **U.S. Cl.**
USPC **D14/372**

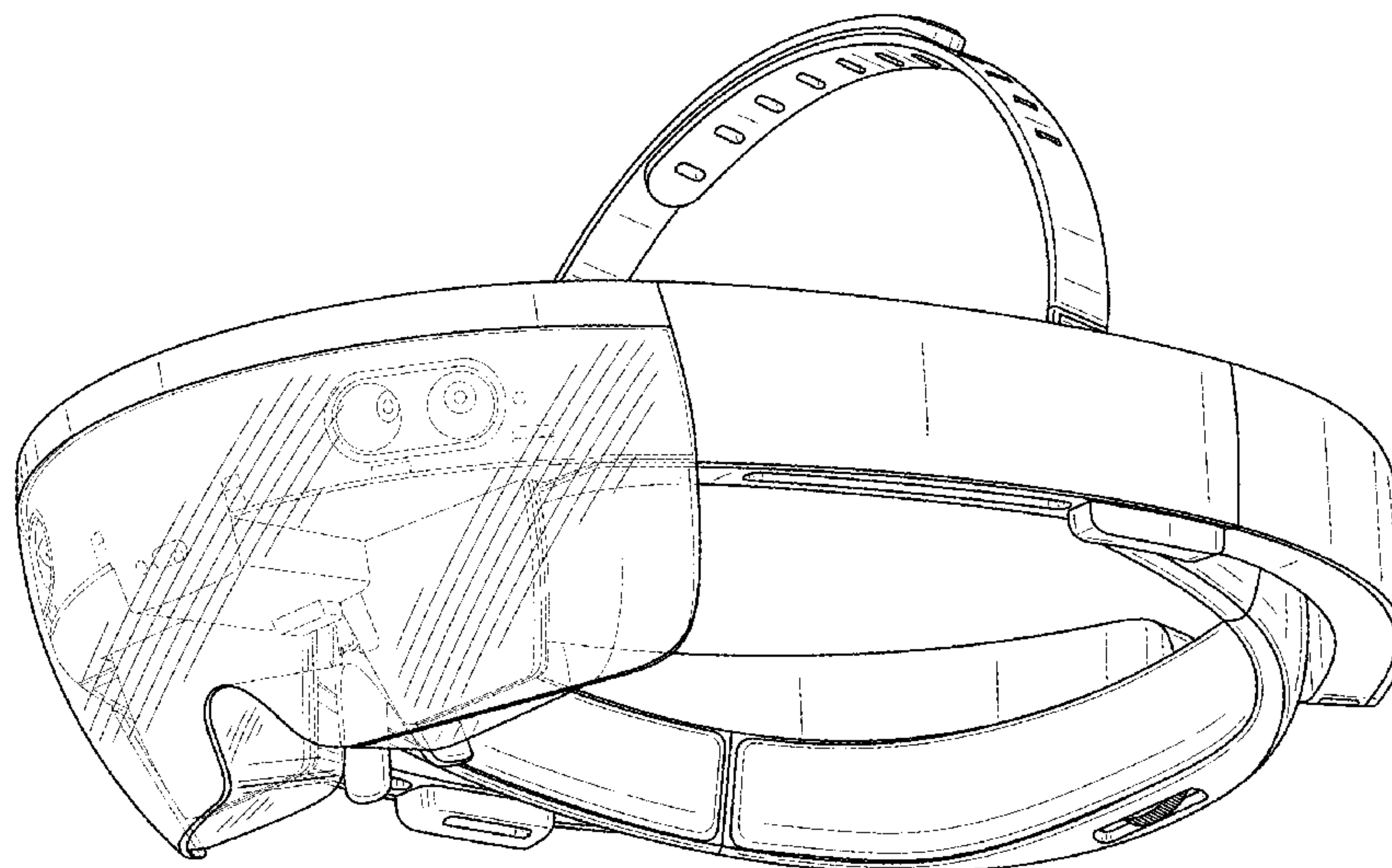
(58) **Field of Classification Search**
USPC D14/372, 496, 432, 371, 125, 126, 129, D14/299; D16/300-342; 351/158, 153, 144; 345/7-9, 905; 455/344; 348/115, 53, 348/121, 739
CPC G02B 27/017; G02B 27/0158; G02B 27/0161; G02B 27/0181; G02B 27/0185; G02B 27/0189

FIG. 1 is a front perspective view of a headset with visor showing our new design;
FIG. 2 is a rear perspective view thereof;
FIG. 3 is a front view thereof;
FIG. 4 is a rear view thereof;
FIG. 5 is a left side view thereof;
FIG. 6 is a right side view thereof;
FIG. 7 is a top view thereof; and,
FIG. 8 is a bottom view thereof.

The broken line showing of the remainder of the headset with visor and the unshaded regions therein in FIGS. 1-8 is for environmental purposes only and forms no part of the claimed design. The figures feature transparent visor portions through which other features are visible.

See application file for complete search history.

1 Claim, 8 Drawing Sheets



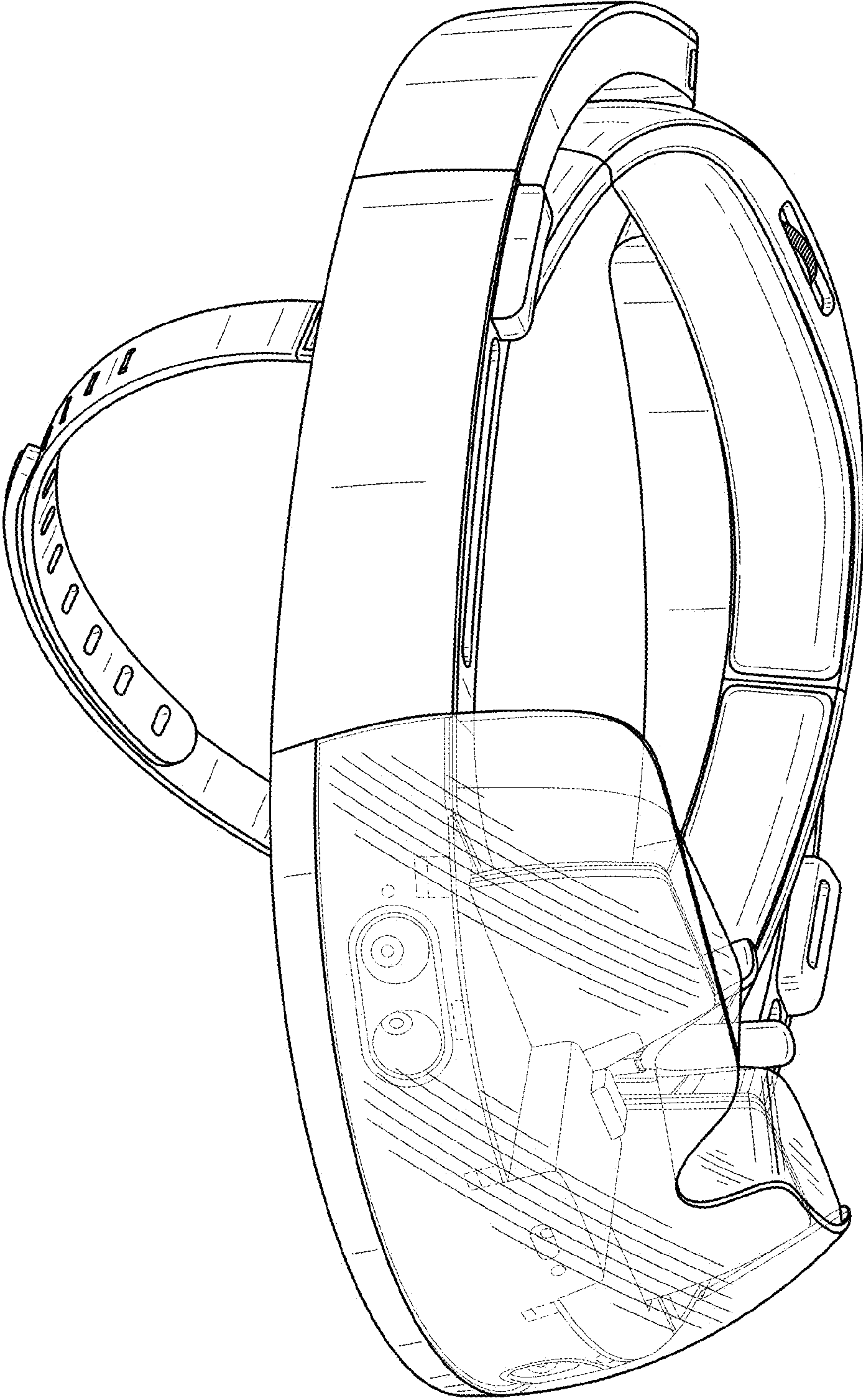


FIG. 1

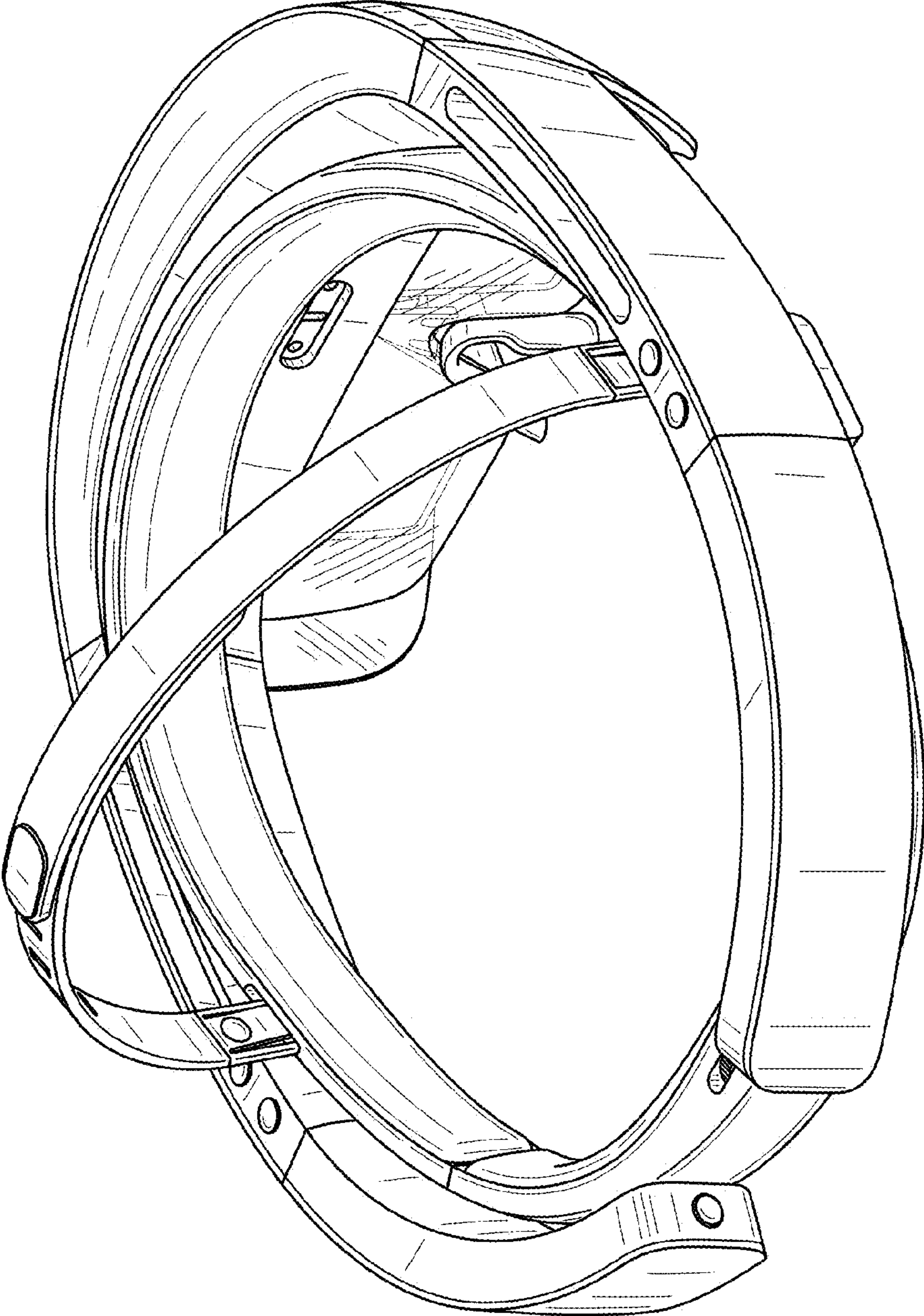


FIG. 2

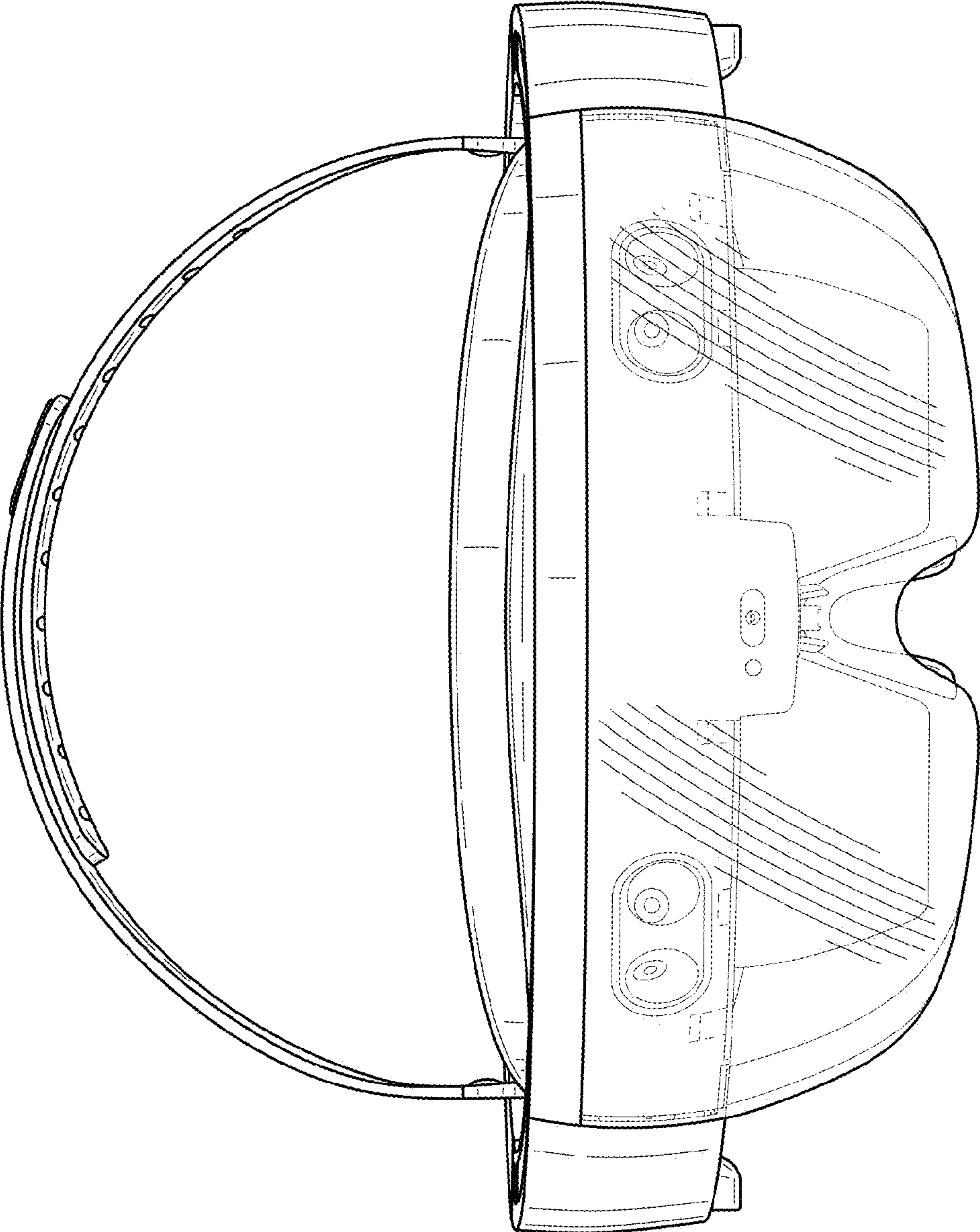


FIG. 3

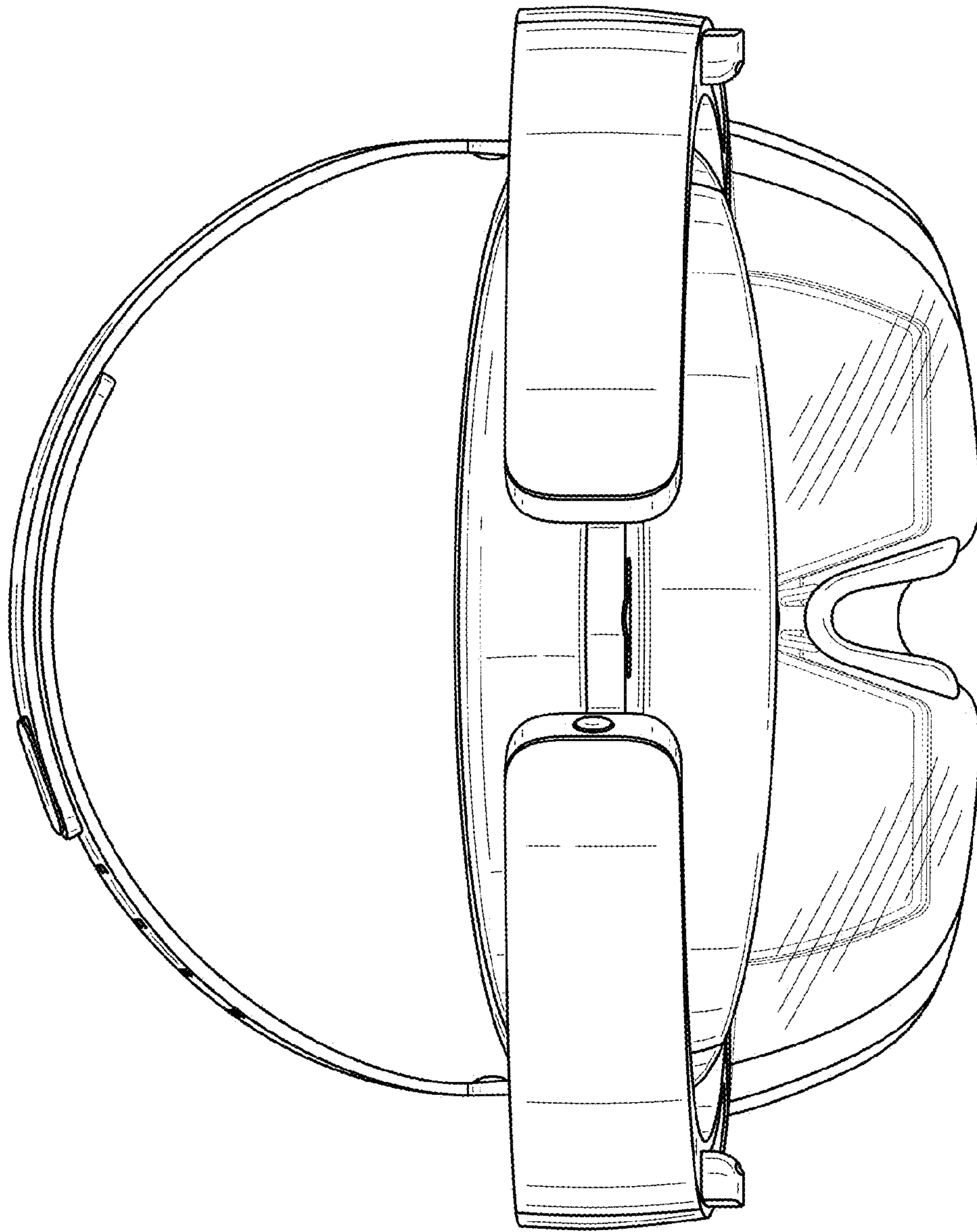


FIG. 4

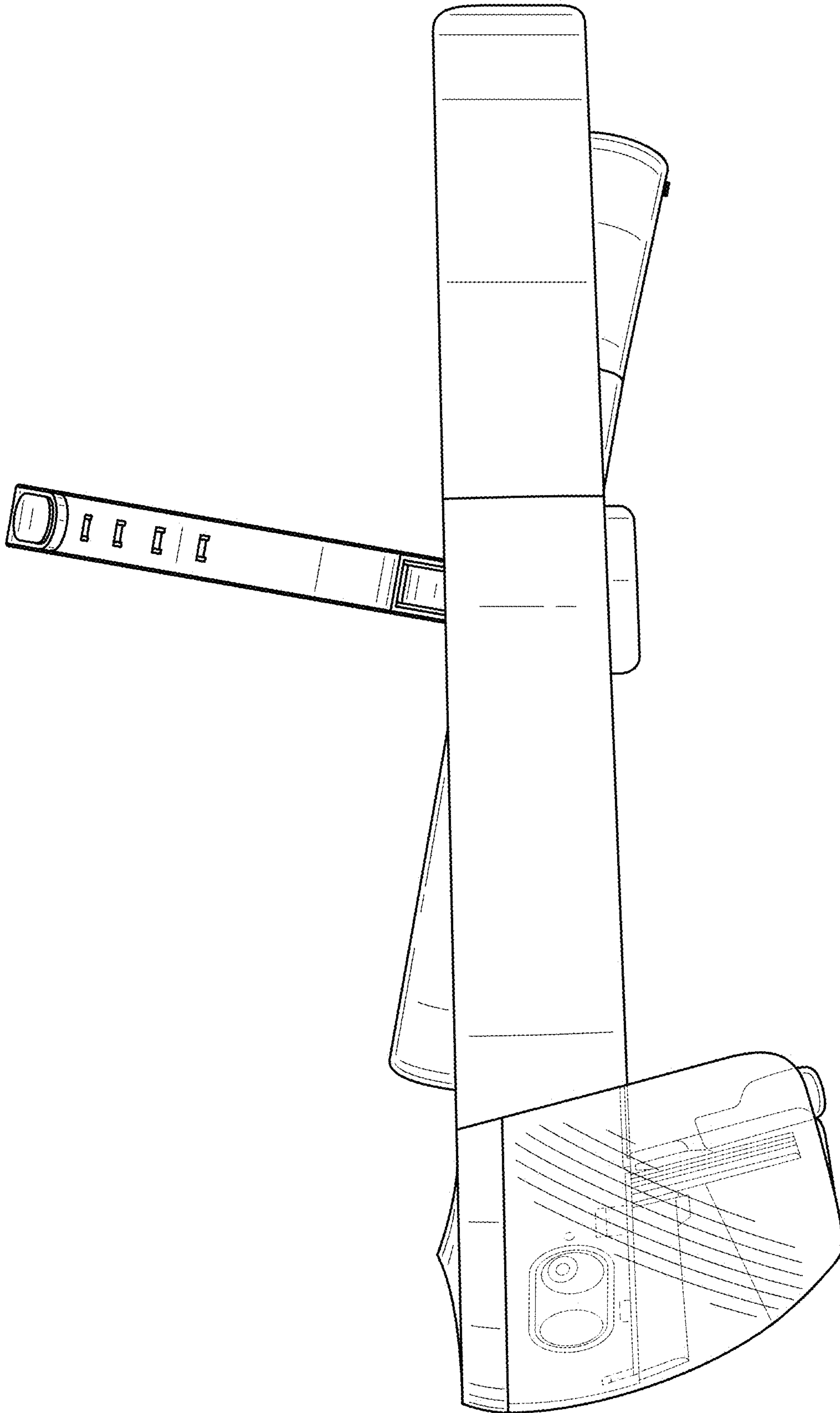


FIG. 5

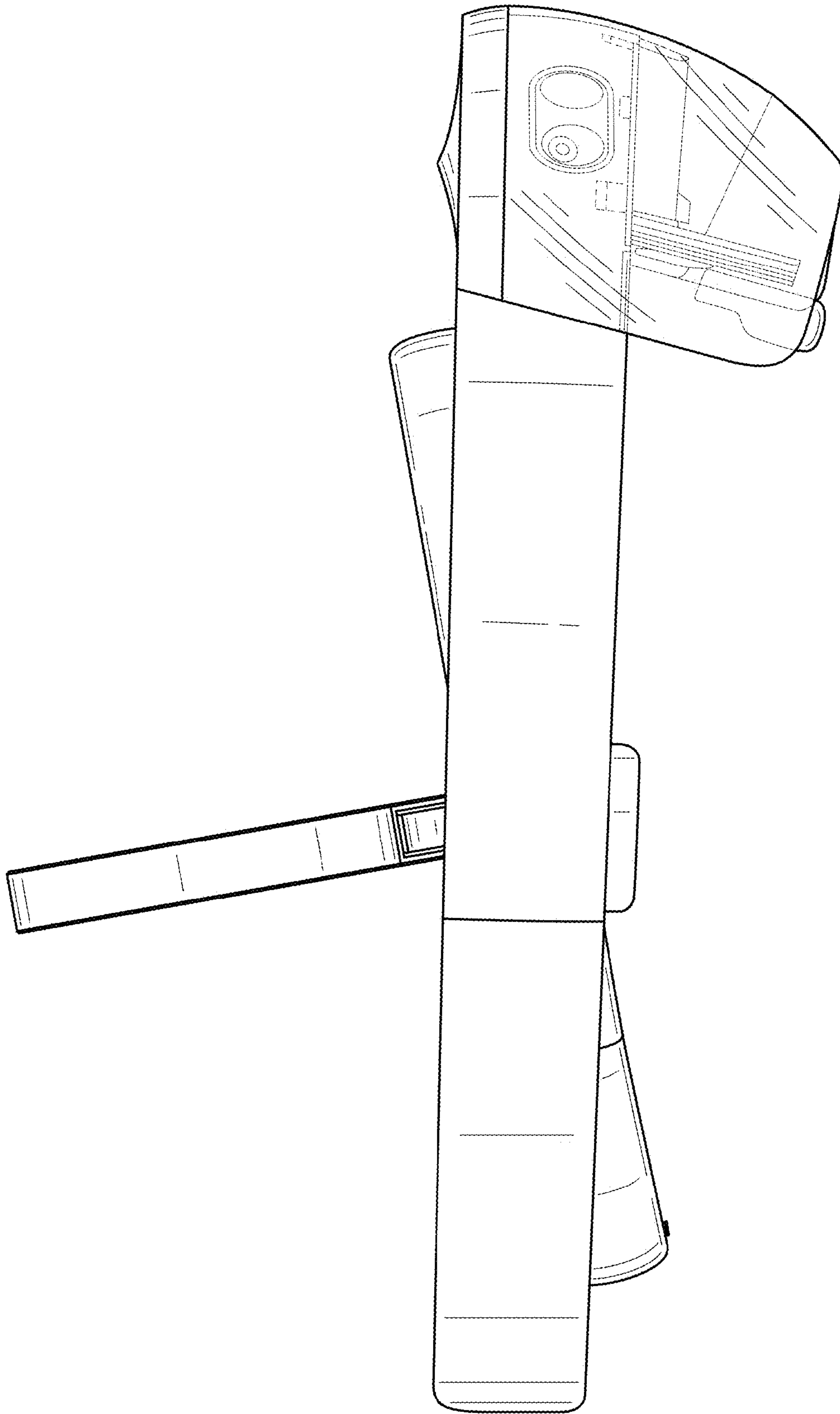


FIG. 6

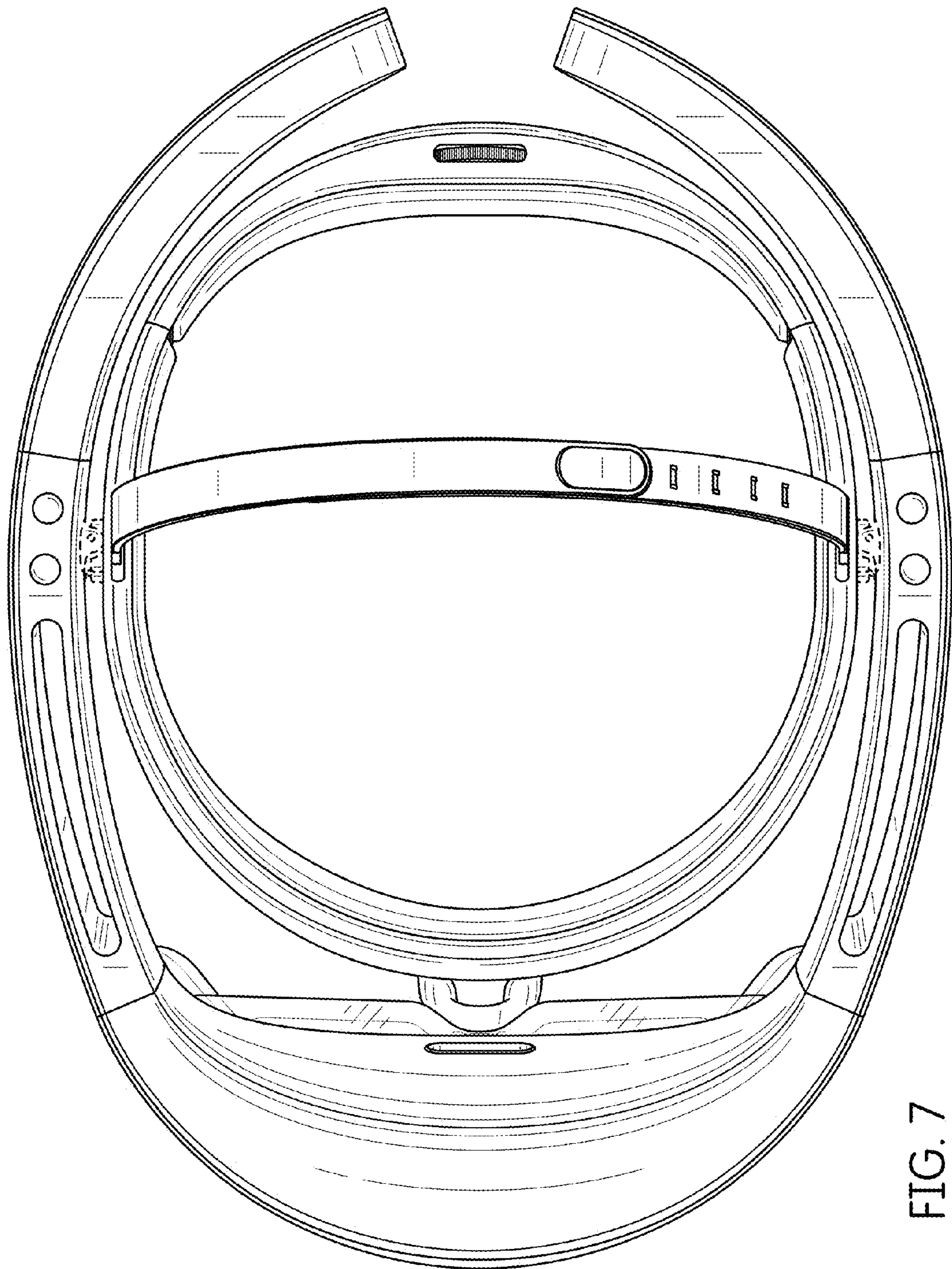


FIG. 7

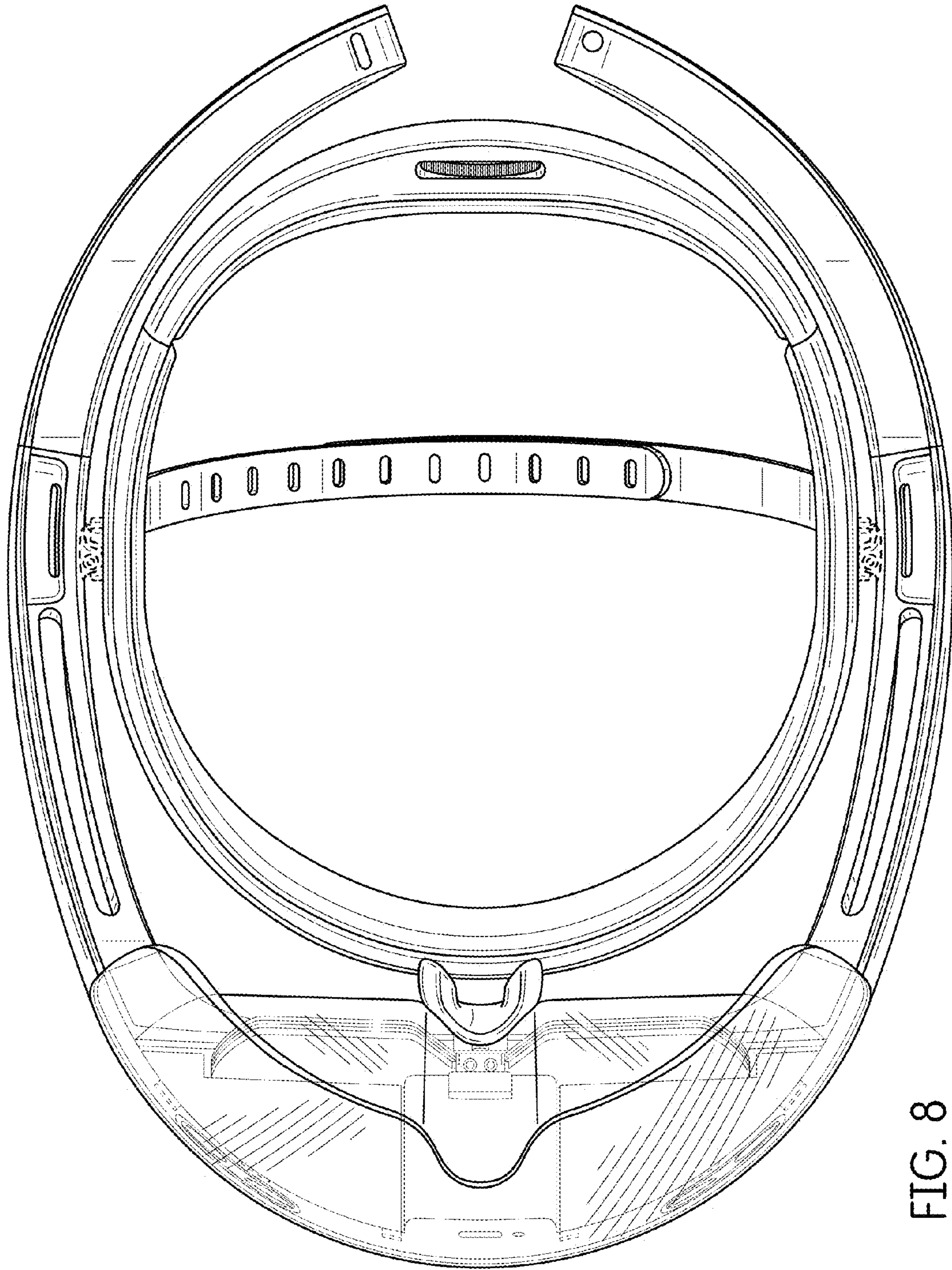


FIG. 8