



US00D740814S

(12) **United States Design Patent**
Bosveld et al.

(10) **Patent No.:** **US D740,814 S**
(45) **Date of Patent:** **** Oct. 13, 2015**

(54) **VISOR FOR HEADSET**

(56) **References Cited**

(71) Applicant: **Microsoft Corporation**, Redmond, WA (US)

U.S. PATENT DOCUMENTS

(72) Inventors: **Paul Bosveld**, Seattle, WA (US); **Nicolas Denhez**, Redmond, WA (US); **YeongKyu Yoo**, Redmond, WA (US); **Phil Frank**, Redmond, WA (US); **Young Duk Song**, Redmond, WA (US); **Henric Jentz**, Redmond, WA (US); **Aditha Adams**, Seattle, WA (US); **Travis Hosler**, Redmond, WA (US); **Andrew Hodge**, Palo Alto, CA (US)

D601,641	S	*	10/2009	Yeung	D21/483
D687,434	S	*	8/2013	Serota	D14/372
D701,206	S	*	3/2014	Luckey et al.	D14/372
D704,706	S	*	5/2014	Serota	D14/372
D709,880	S	*	7/2014	Kim et al.	D14/372
D714,786	S	*	10/2014	Pombo et al.	D14/372
D719,953	S	*	12/2014	Nokuo et al.	D14/372
D722,054	S	*	2/2015	Serota	D14/372
D724,559	S	*	3/2015	Reaux	D14/205
D727,318	S	*	4/2015	Garcia Marin et al.	D14/372
D727,896	S	*	4/2015	Laluque	D14/372
2013/0237146	A1	*	9/2013	Serota	455/12.1
2013/0285886	A1	*	10/2013	Pombo et al.	345/8

* cited by examiner

(73) Assignee: **Microsoft Corporation**, Redmond, WA (US)

Primary Examiner — Austin Murphy

(**) Term: **14 Years**

(74) *Attorney, Agent, or Firm* — Banner & Witcoff, Ltd.

(21) Appl. No.: **29/515,198**

(57) **CLAIM**

The ornamental design for a visor for headset, as shown and described.

(22) Filed: **Jan. 20, 2015**

DESCRIPTION

(51) **LOC (10) Cl.** **14-02**

FIG. 1 is a front perspective view of a visor for headset showing our new design;

(52) **U.S. Cl.**

FIG. 2 is a rear perspective view thereof;

USPC **D14/372**

FIG. 3 is a front view thereof;

(58) **Field of Classification Search**

USPC D14/372, 496, 432, 371, 125, 126, 129, D14/299; D16/300-342; 351/158, 153, 144; 345/7-9, 905; 455/344; 348/115, 53, 348/121, 739

FIG. 4 is a rear view thereof;

FIG. 5 is a right side view thereof;

FIG. 6 is a left side view thereof;

FIG. 7 is a top view thereof; and,

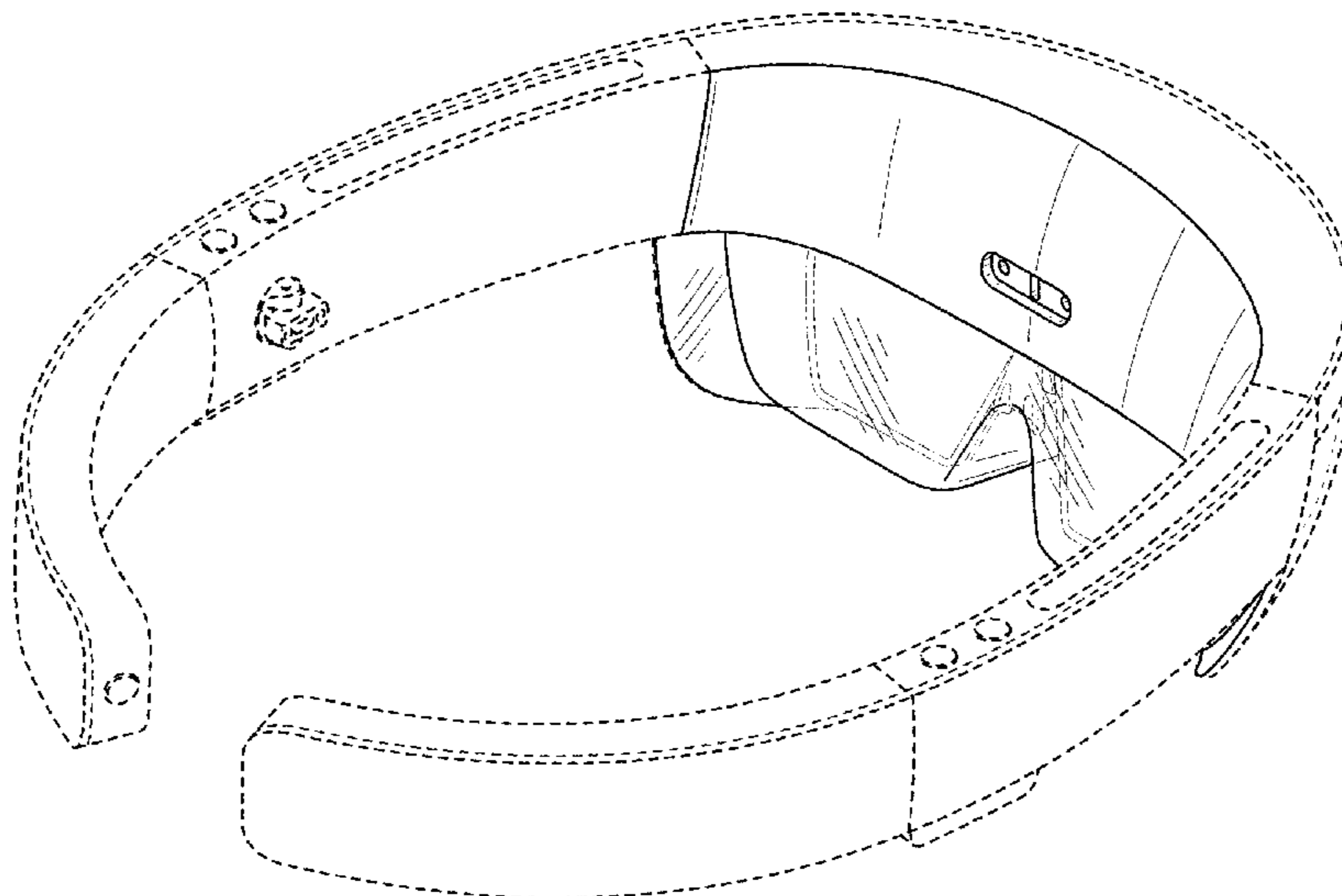
FIG. 8 is a bottom view thereof.

CPC G02B 27/017; G02B 27/0158; G02B 27/0161; G02B 27/0181; G02B 27/0185; G02B 27/0189

The broken line showing of the remainder of the visor for headset is for environmental purposes only and forms no part of the claimed design.

See application file for complete search history.

1 Claim, 8 Drawing Sheets



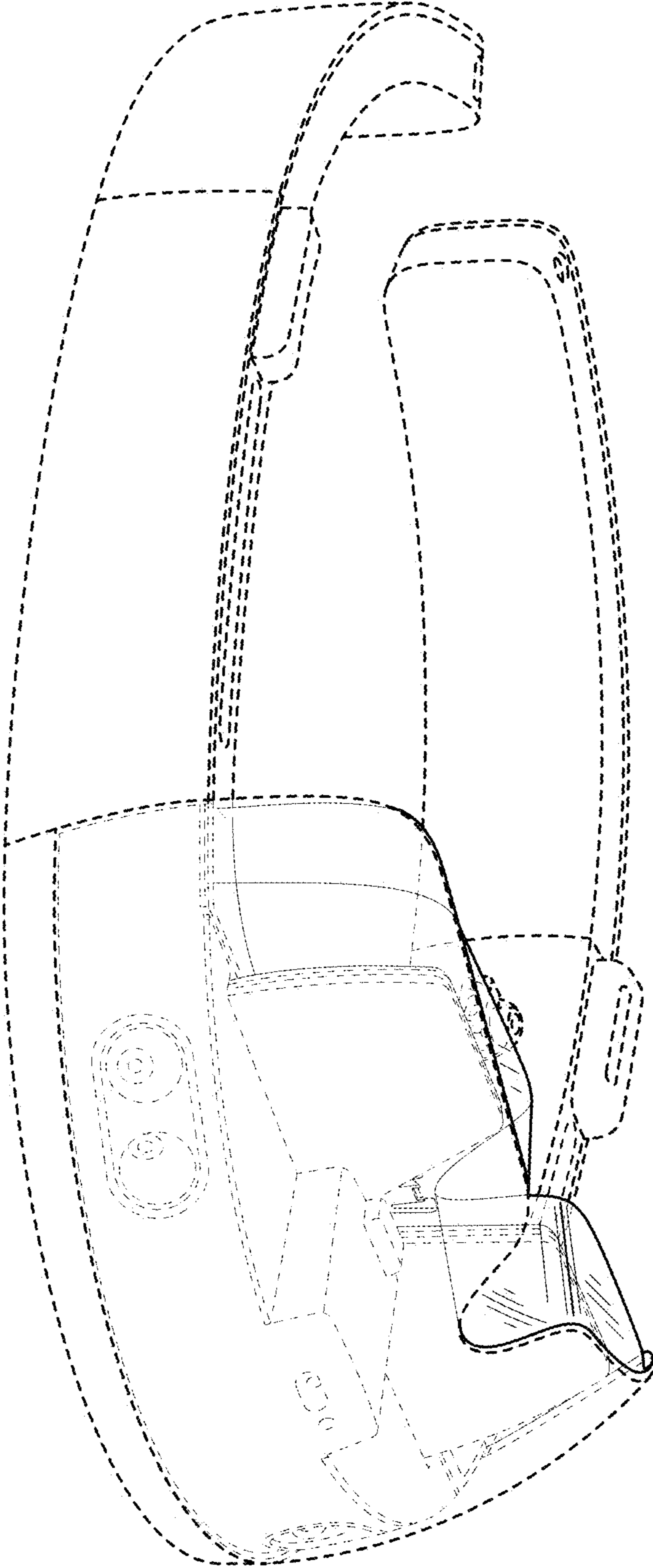


FIG. 1

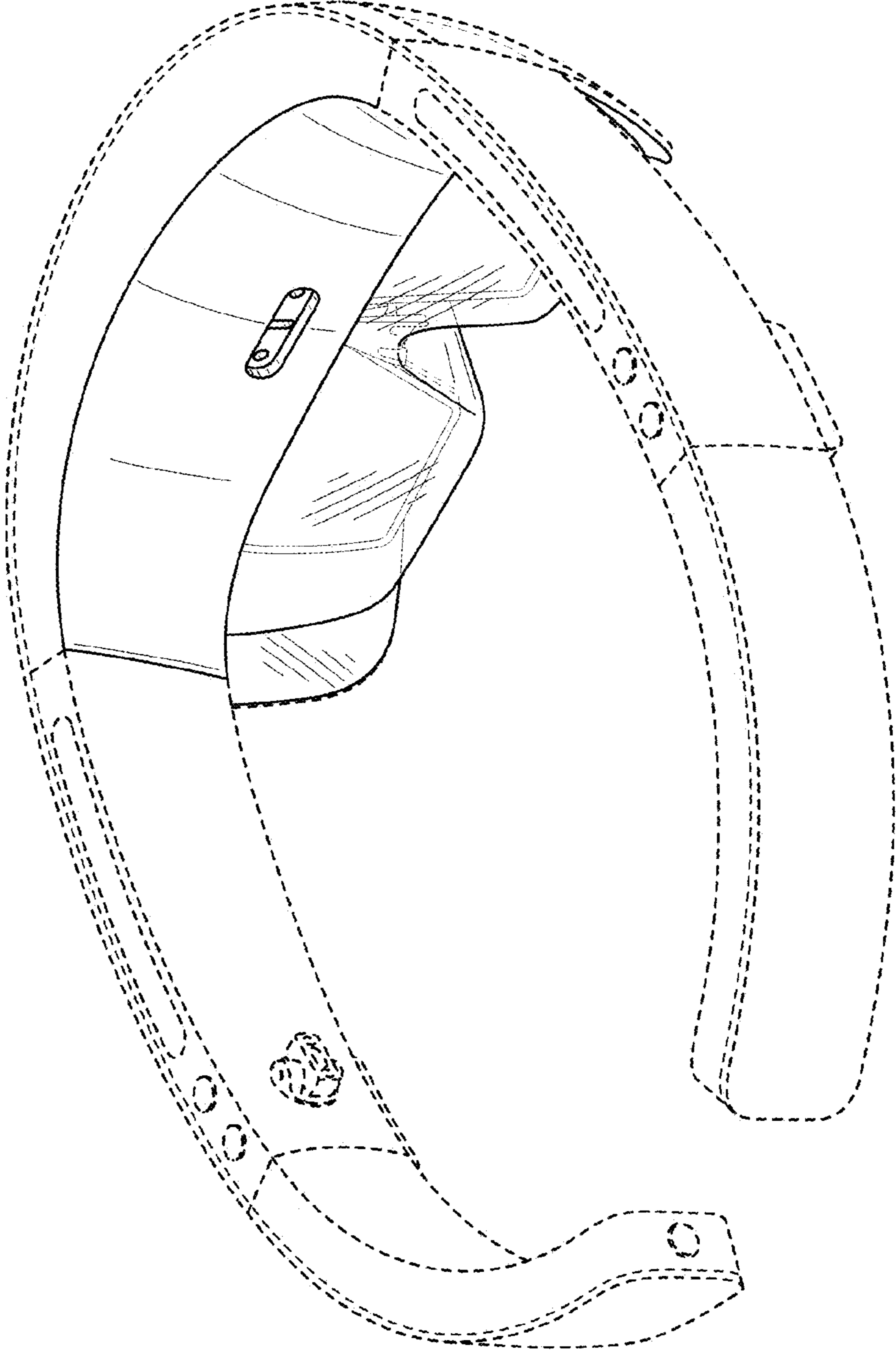


FIG. 2

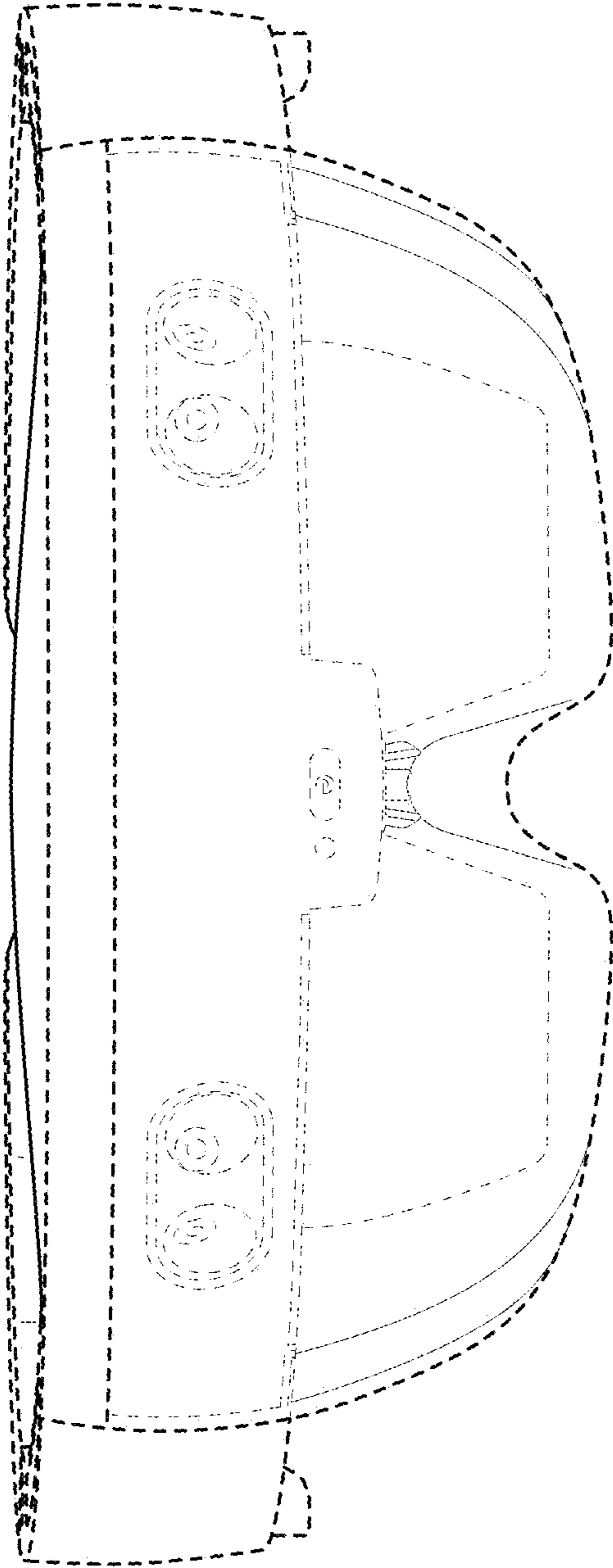


FIG. 3

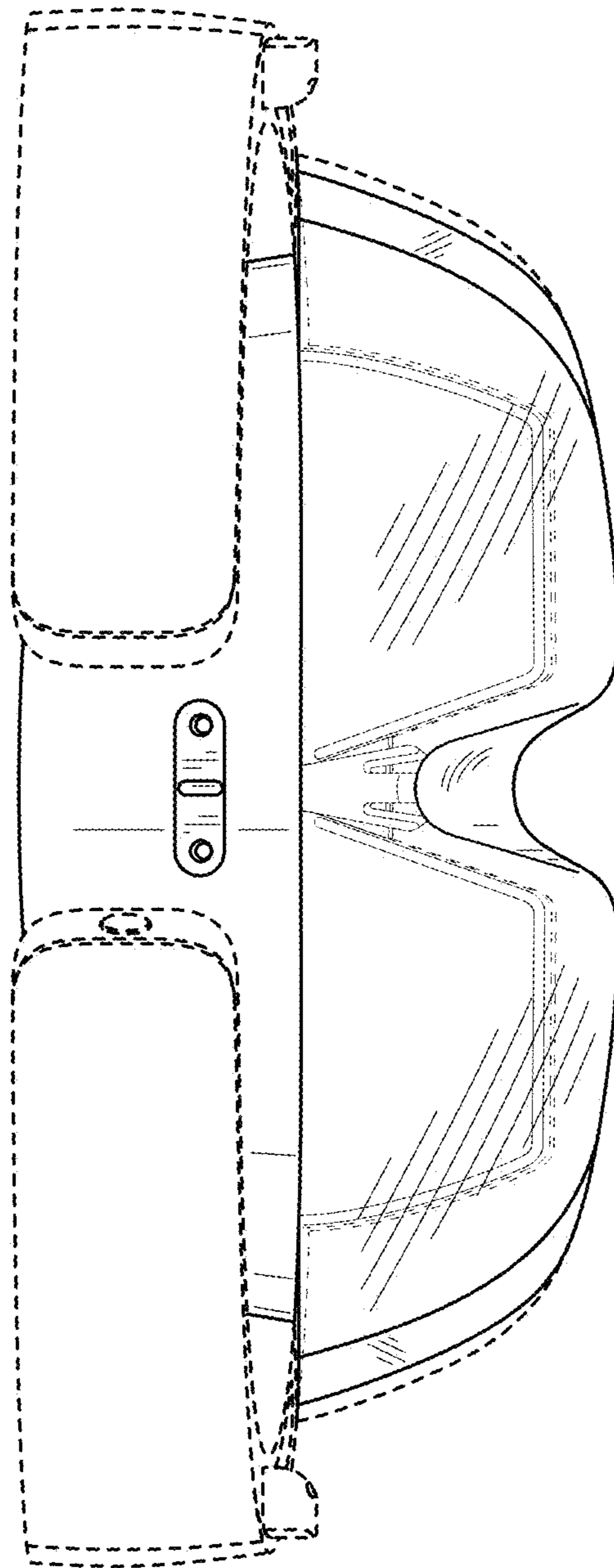


FIG. 4

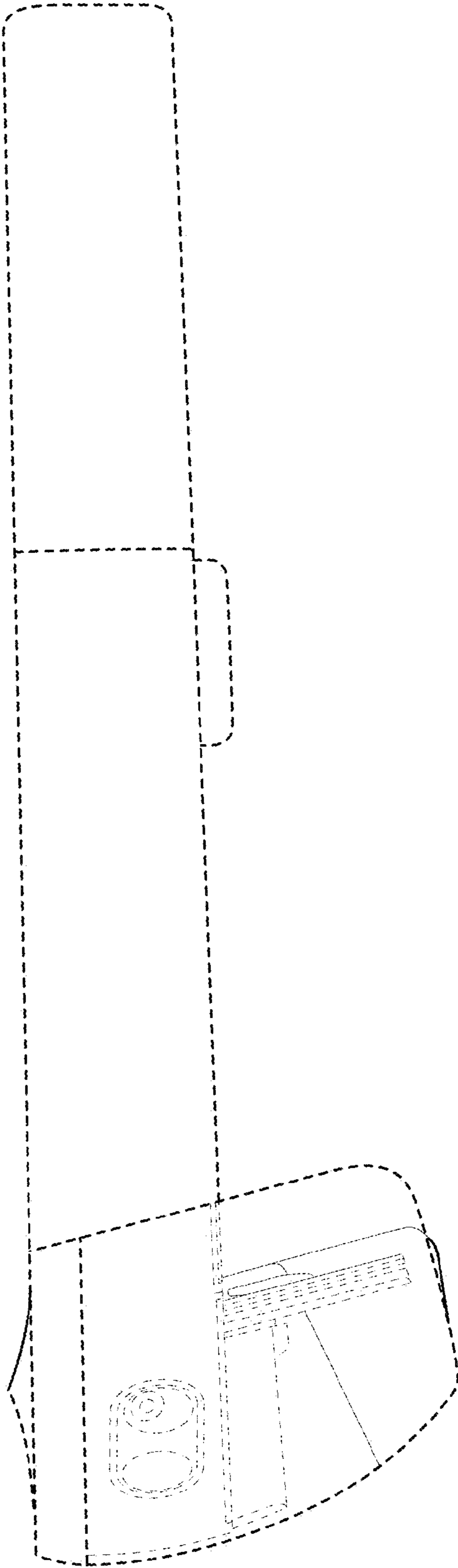


FIG. 5

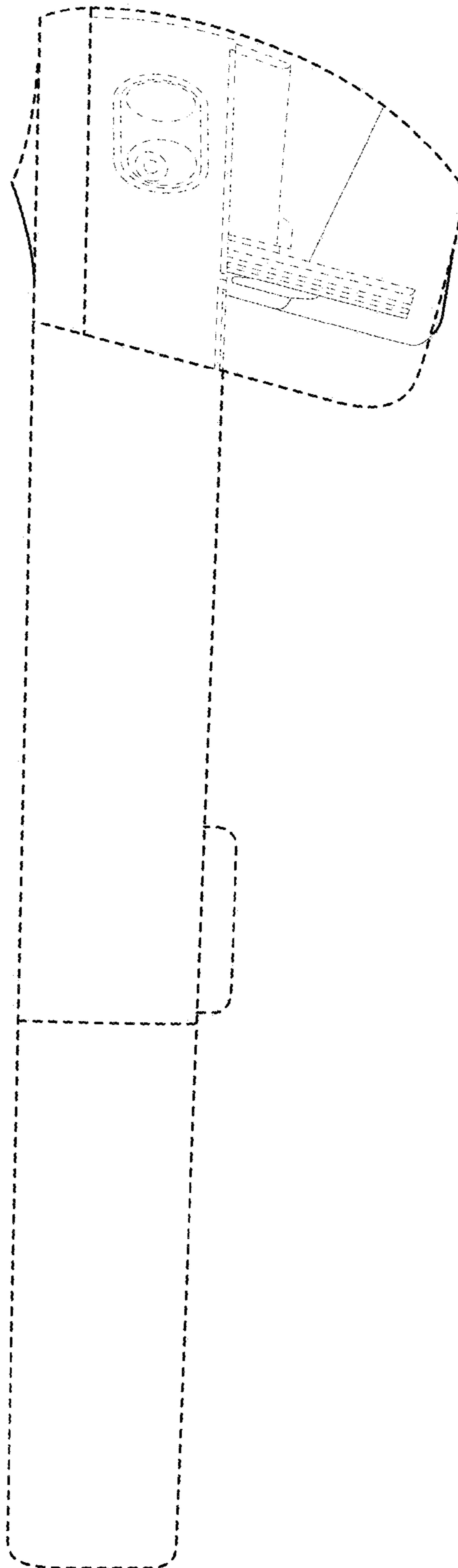


FIG. 6

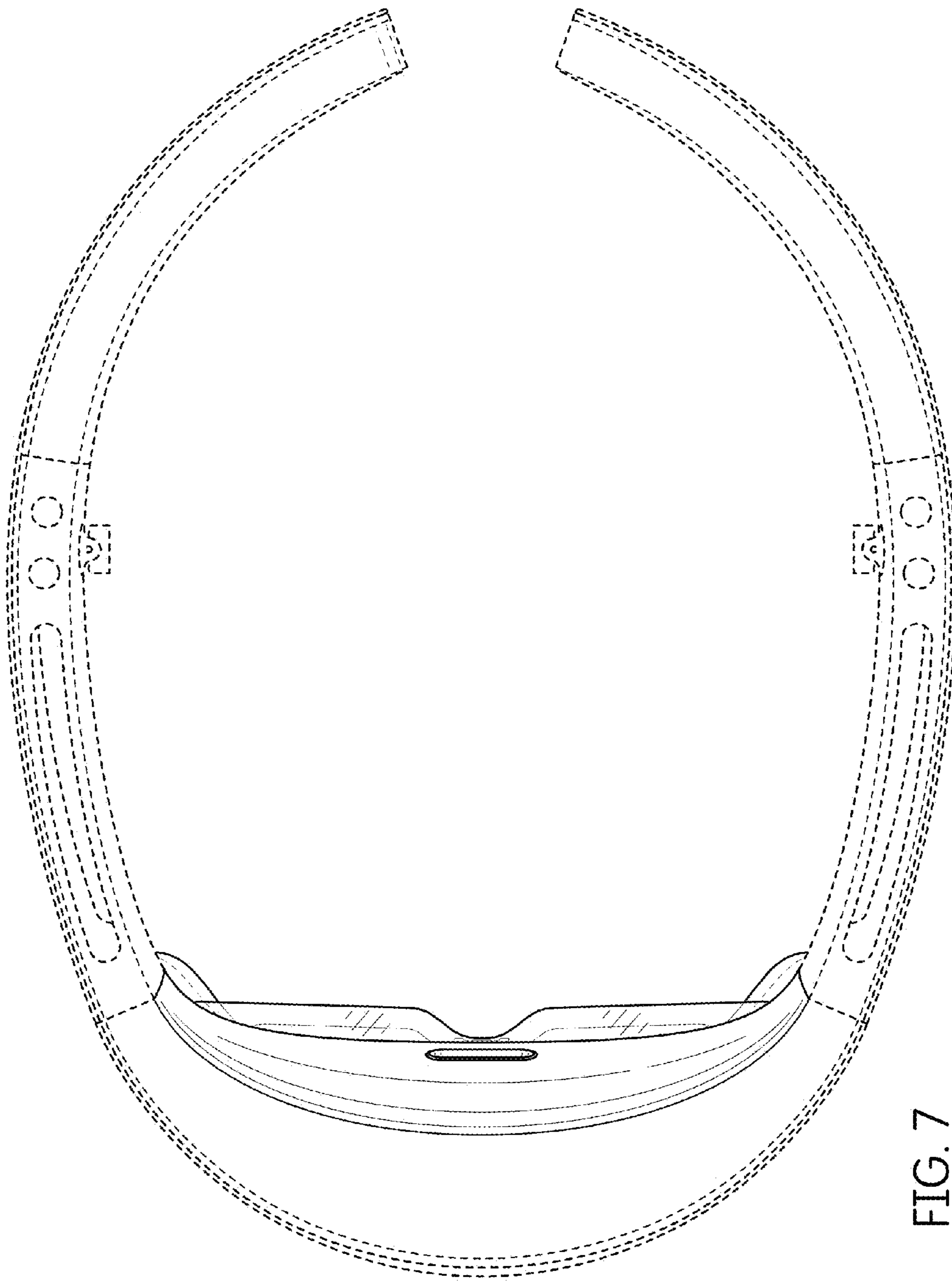


FIG. 7

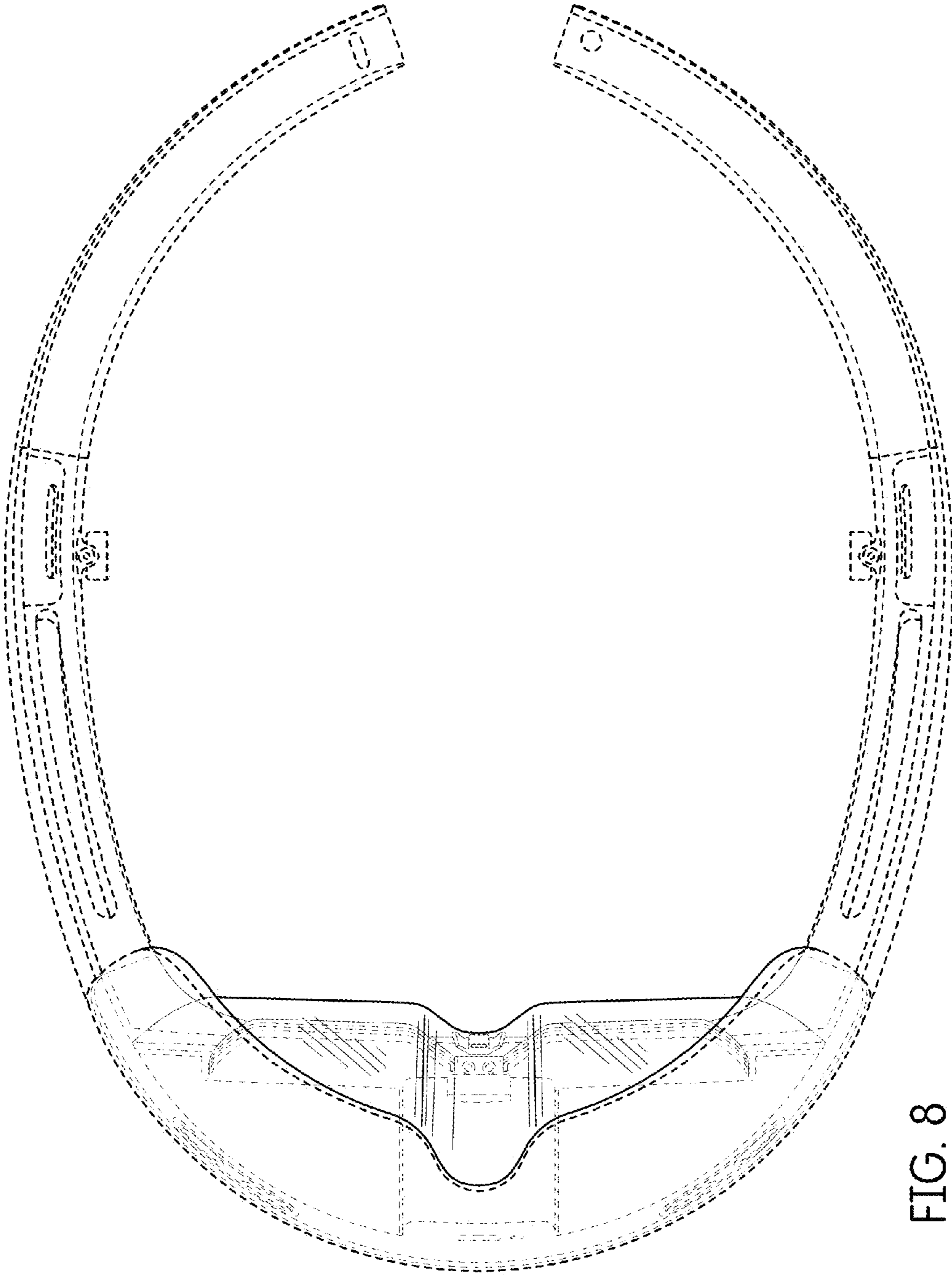


FIG. 8