



US00D740809S

(12) **United States Design Patent**
Kwon et al.

(10) **Patent No.:** **US D740,809 S**
(45) **Date of Patent:** **** Oct. 13, 2015**

(54) **STORAGE DRIVE**

(71) Applicant: **Western Digital Technologies, Inc.**,
Irvine, CA (US)

(72) Inventors: **Tom H. Kwon**, Santa Ana, CA (US);
Steven T. Peng, Irvine, CA (US)

(73) Assignee: **Western Digital Technologies, Inc.**,
Irvine, CA (US)

(**) Term: **14 Years**

(21) Appl. No.: **29/478,526**

(22) Filed: **Jan. 6, 2014**

(51) **LOC (10) Cl.** **14-02**

(52) **U.S. Cl.**
USPC **D14/365; D14/250**

(58) **Field of Classification Search**
USPC D14/365, 300, 302, 363, 367, 496, 356,
D14/358, 366, 368, 240, 125, 480.3, 480.7,
D14/250; D13/103, 108, 110, 184; 320/110,
320/111; 361/688, 685
CPC G11B 33/124; G06F 1/16
See application file for complete search history.

(56) **References Cited**

U.S. PATENT DOCUMENTS

D273,295 S *	4/1984	Stewart	D14/365
D290,705 S *	7/1987	Yomo	D14/435
D399,349 S *	10/1998	Barth	D4/106
D415,129 S *	10/1999	Wu	D14/353
D422,573 S *	4/2000	Takano et al.	D14/365
D468,309 S	1/2003	Goldenberg		
D491,563 S *	6/2004	Sato et al.	D14/433
D511,774 S	11/2005	Tanio		
D517,065 S *	3/2006	Ko et al.	D14/365
D522,531 S *	6/2006	Solomon et al.	D14/496
D528,561 S *	9/2006	Ka-Wei et al.	D14/203.3
D534,532 S	1/2007	Hisatsune		

D535,281 S *	1/2007	Yang	D14/203.3
D560,686 S *	1/2008	Kim	D14/496
7,430,116 B2 *	9/2008	Liu	361/679.33
D581,928 S *	12/2008	Tsuchiya	D14/363
D583,796 S *	12/2008	Tanaka	D14/155
D584,303 S *	1/2009	Andre et al.	D14/341
D584,738 S *	1/2009	Kim et al.	D14/496
D587,267 S *	2/2009	Wang	D14/356
D593,132 S *	5/2009	Kim	D14/496

(Continued)

Primary Examiner — Paula Greene

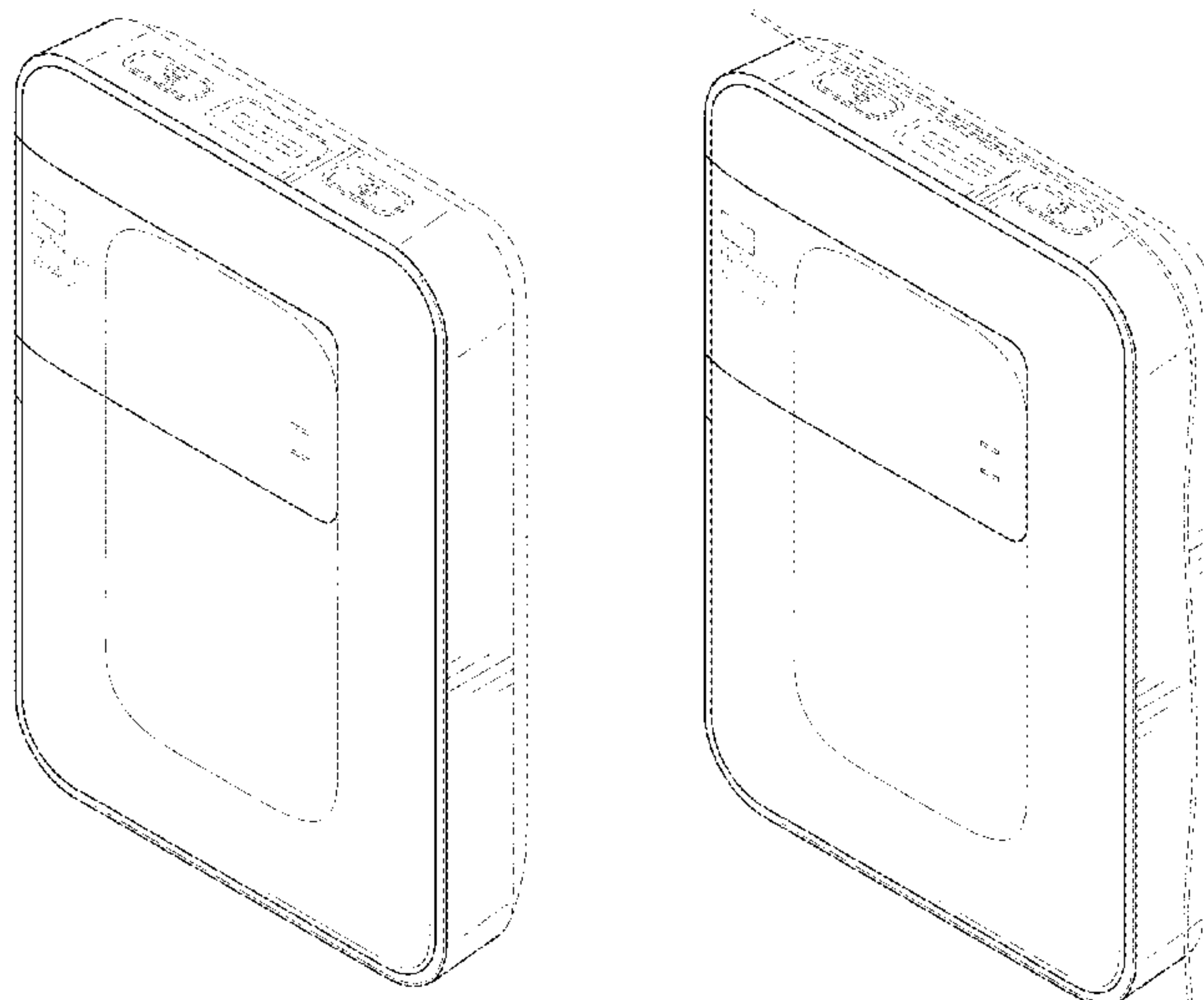
(57) **CLAIM**

The ornamental design for a storage drive, as shown and described.

DESCRIPTION

FIG. 1 is a top, front and side perspective view of a first embodiment of a storage drive embodying the new design. FIG. 2 is a bottom, back and side perspective view thereof. FIG. 3 is a top view thereof. FIG. 4 is a bottom view thereof. FIG. 5 is a first side view thereof. FIG. 6 is a second side view thereof. FIG. 7 is a front view thereof. FIG. 8 is a back view thereof. FIG. 9 is a top, front and side perspective view of a second embodiment with break lines. FIG. 10 is a bottom, back and side perspective view thereof. FIG. 11 is a top view thereof. FIG. 12 is a bottom view thereof. FIG. 13 is a first side view thereof. FIG. 14 is a second side view thereof. FIG. 15 is a front view thereof; and, FIG. 16 is a back view thereof. Broken lines are used to illustrate features of the storage drive which form no part of the claimed design. In the second embodiment, any portion of the storage drive between the break lines forms no part of the claimed design.

1 Claim, 12 Drawing Sheets



(56)

References Cited

U.S. PATENT DOCUMENTS

D602,015 S * 10/2009 Andre et al. D14/341
D609,701 S * 2/2010 Hou D14/240
D626,437 S * 11/2010 Lee et al. D10/65
D627,758 S * 11/2010 Sheba et al. D14/203.7
D637,996 S * 5/2011 Kim et al. D14/203.7
D641,363 S * 7/2011 Dublin D14/356

D641,364 S * 7/2011 McParland D14/356
D644,218 S * 8/2011 Akana et al. D14/341
D676,459 S * 2/2013 Hofer et al. D14/496
D694,234 S * 11/2013 McParland et al. D14/365
2004/0032711 A1* 2/2004 Kaczeus et al. 361/685
2006/0281501 A1* 12/2006 Zuo et al. 455/575.1
2010/0066682 A1* 3/2010 Tseng et al. 345/173
2010/0096963 A1* 4/2010 McLaughlin et al. 312/223.1

* cited by examiner

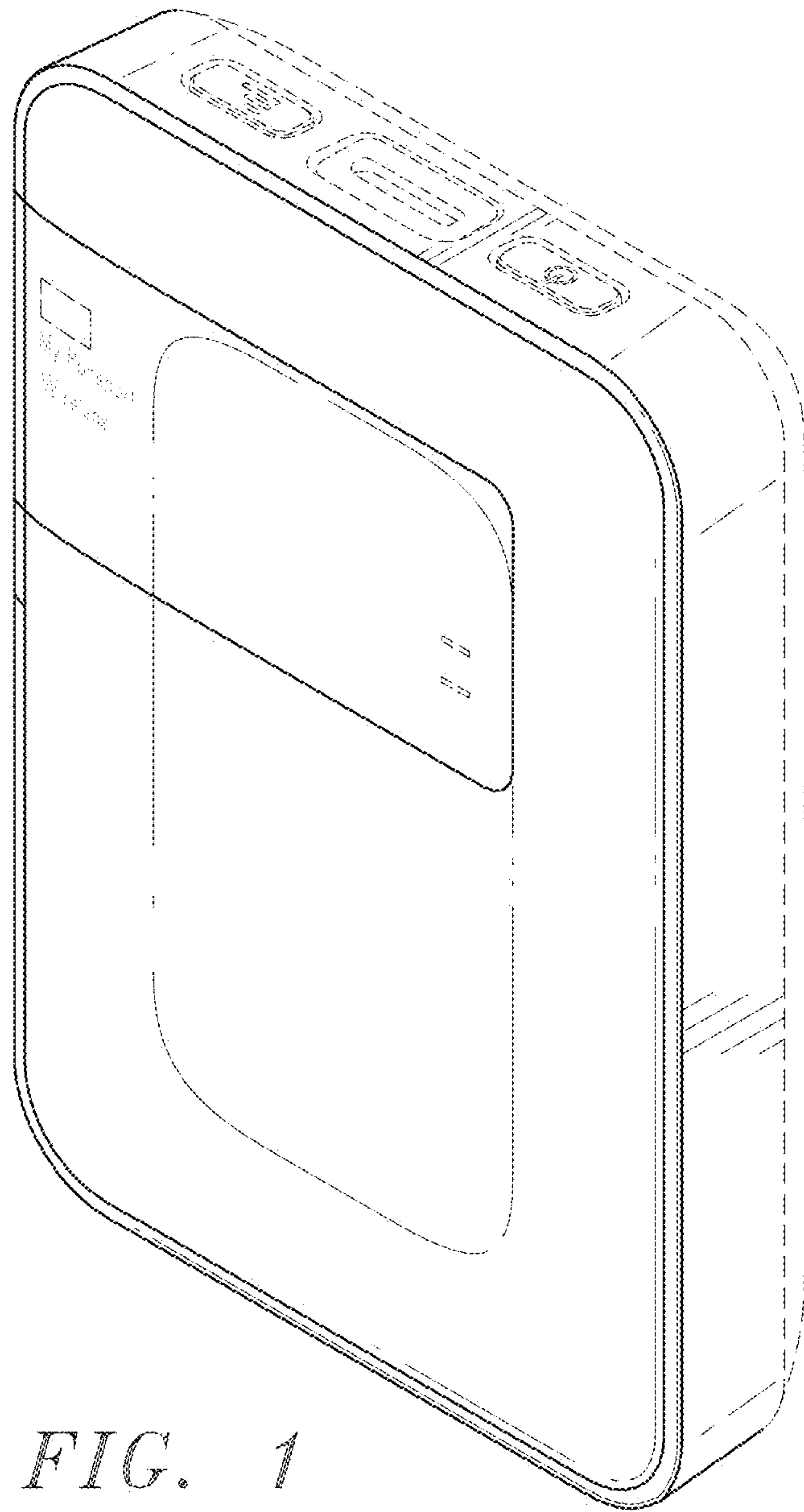


FIG. 1

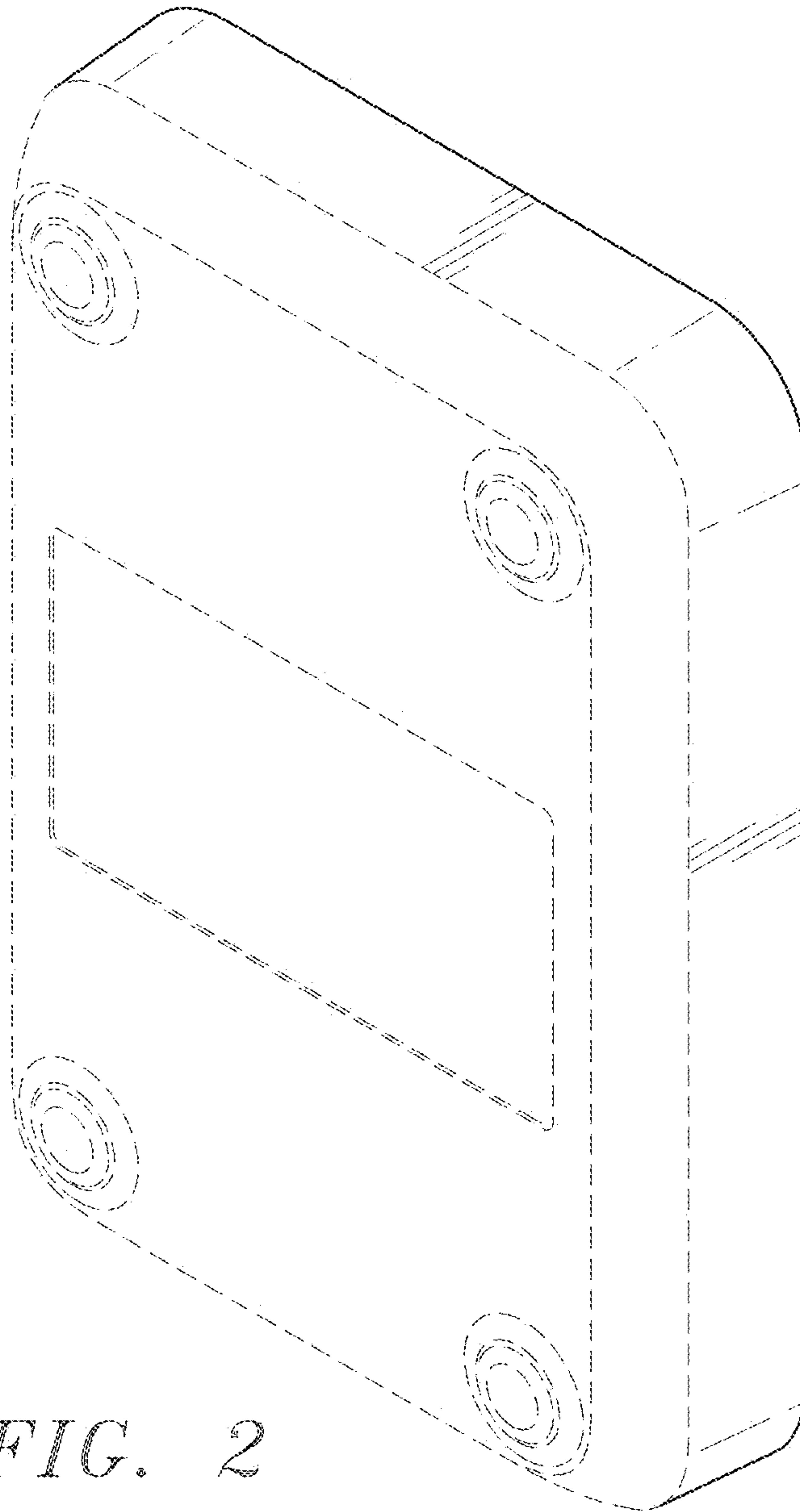


FIG. 2

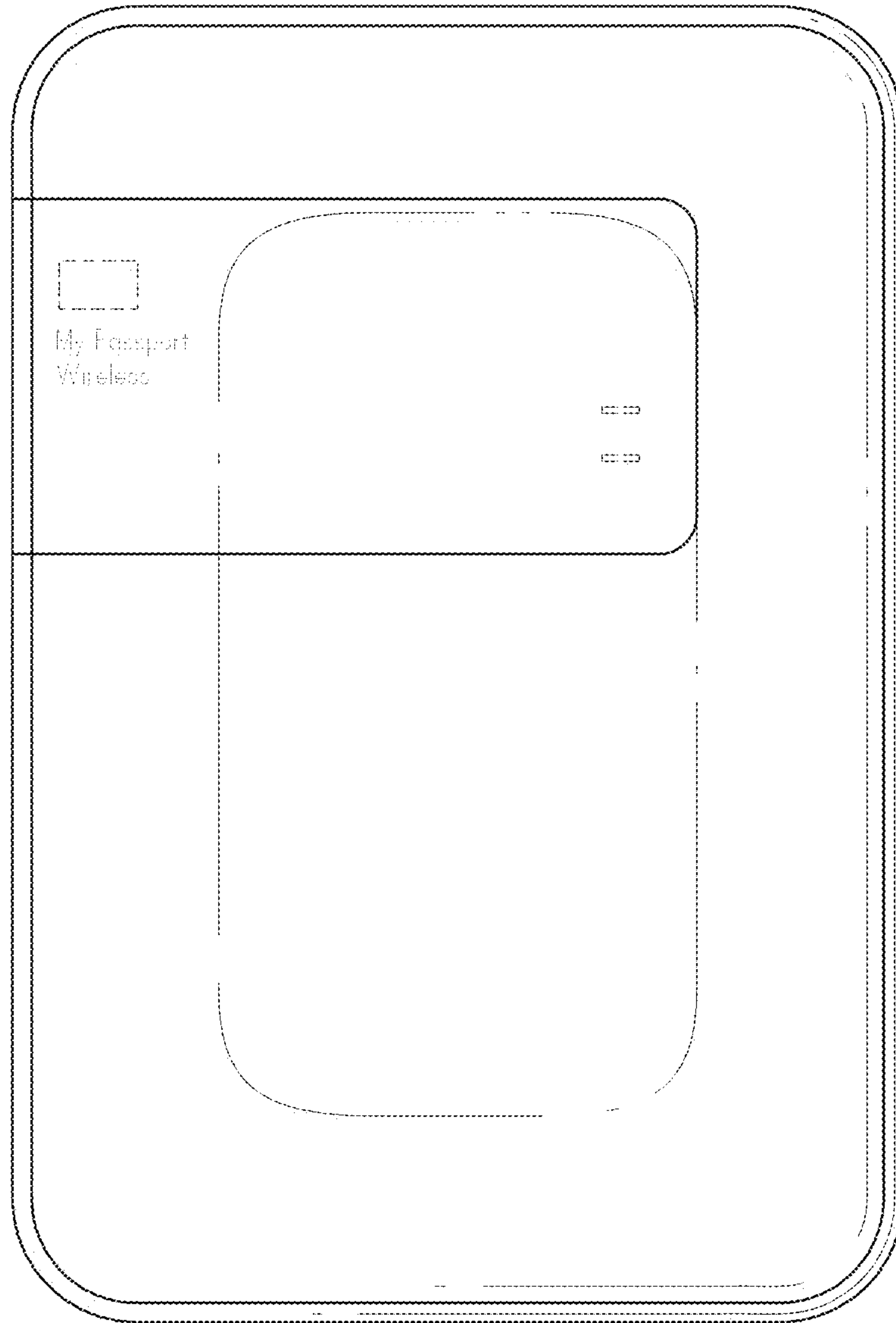


FIG. 3

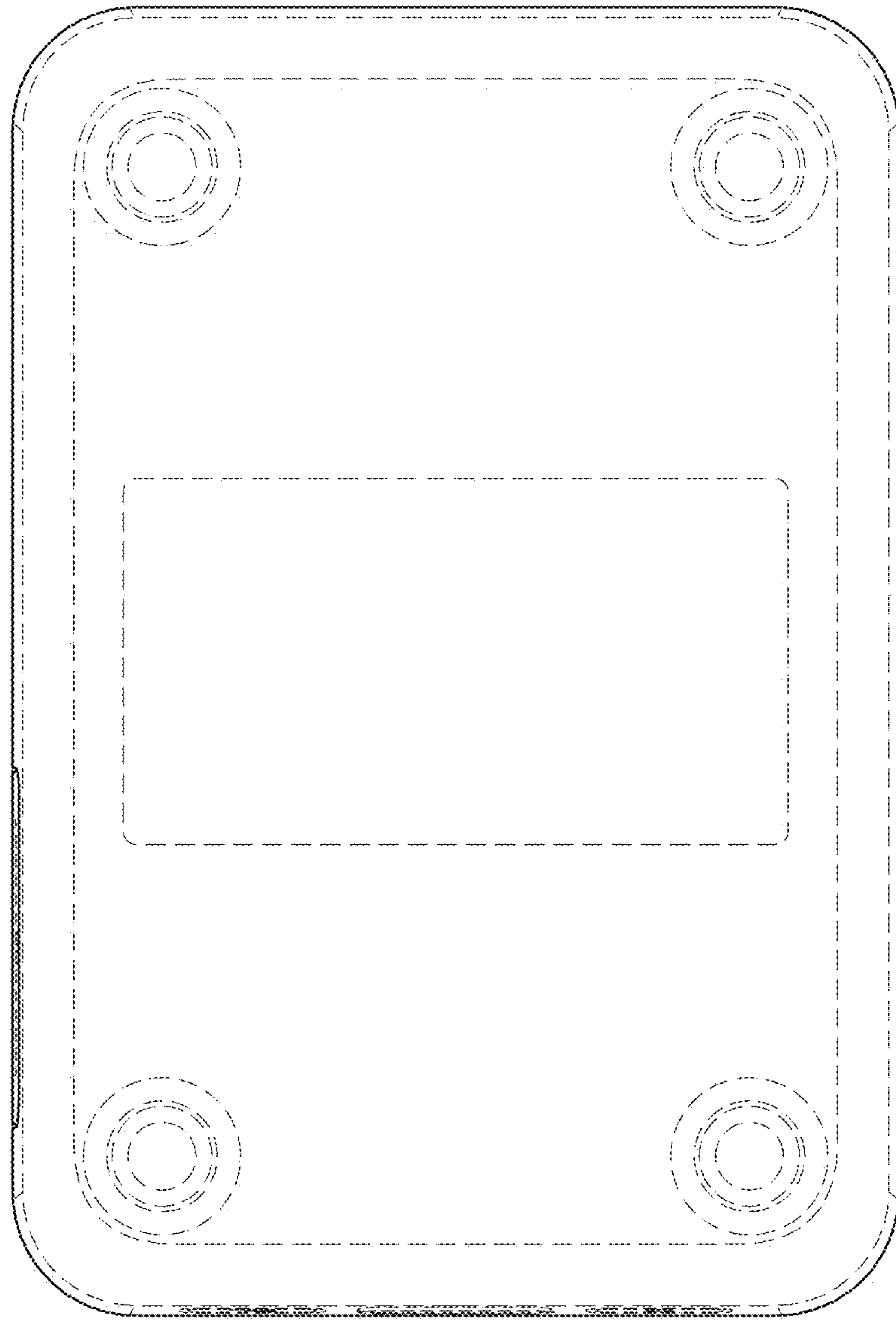


FIG. 4

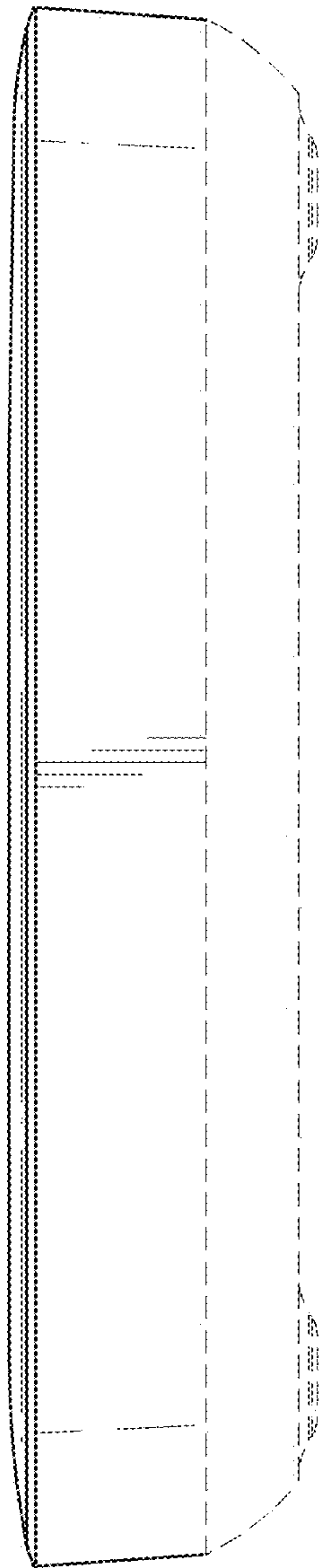


FIG. 5

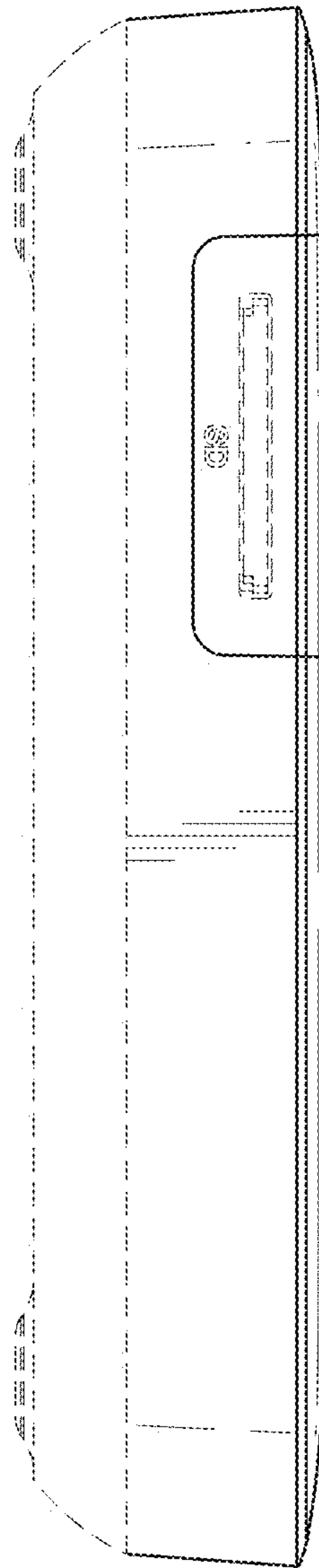


FIG. 6

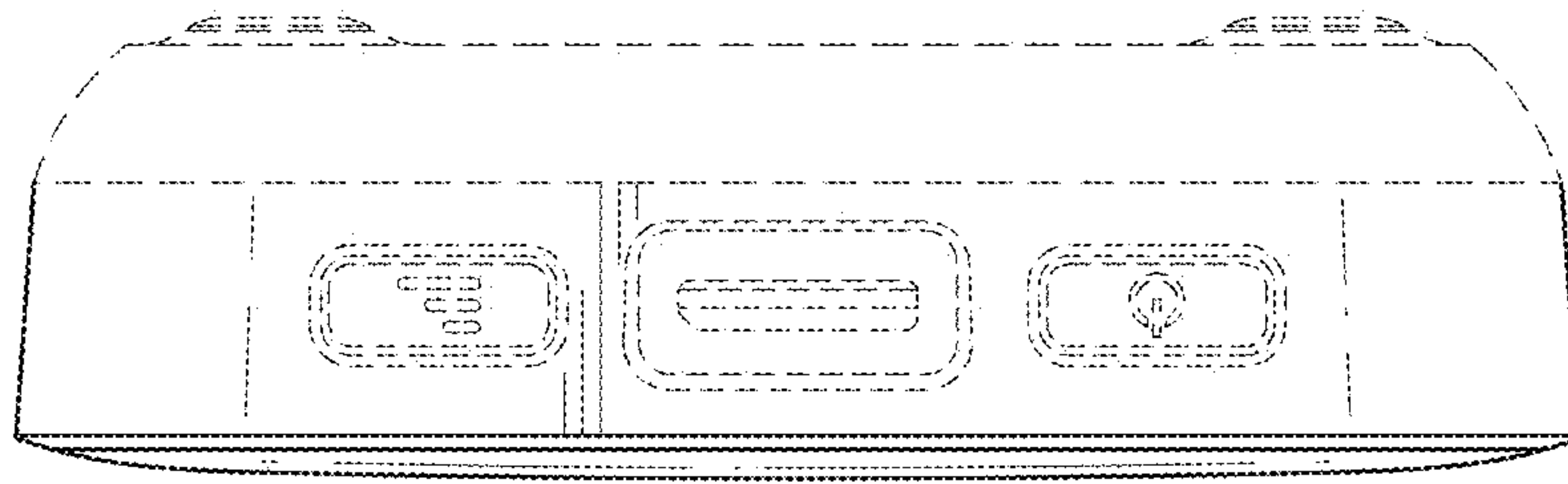


FIG. 7

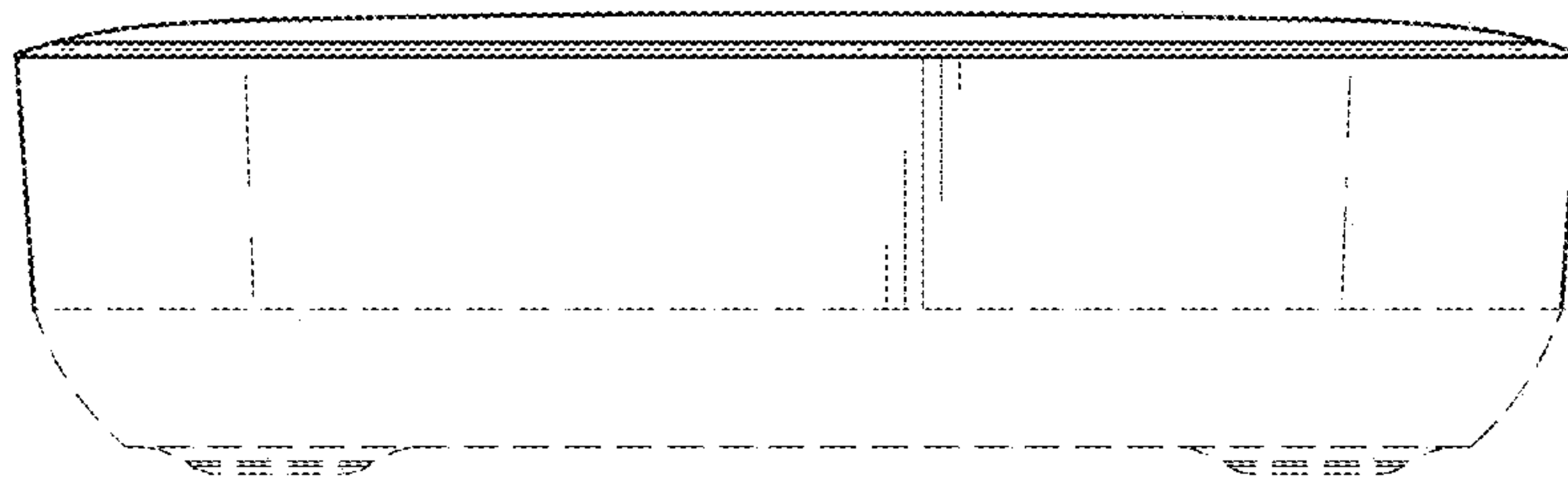


FIG. 8

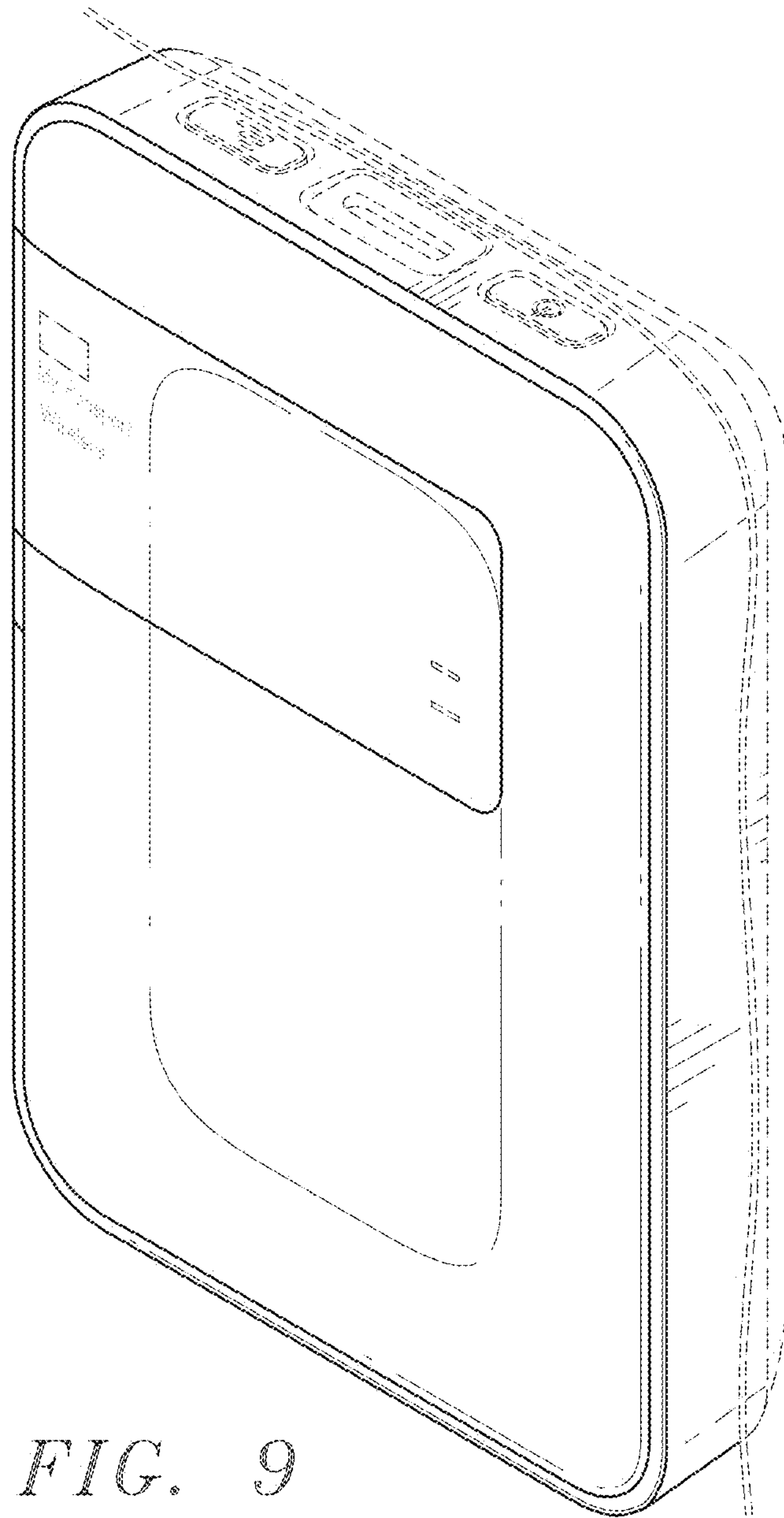


FIG. 9

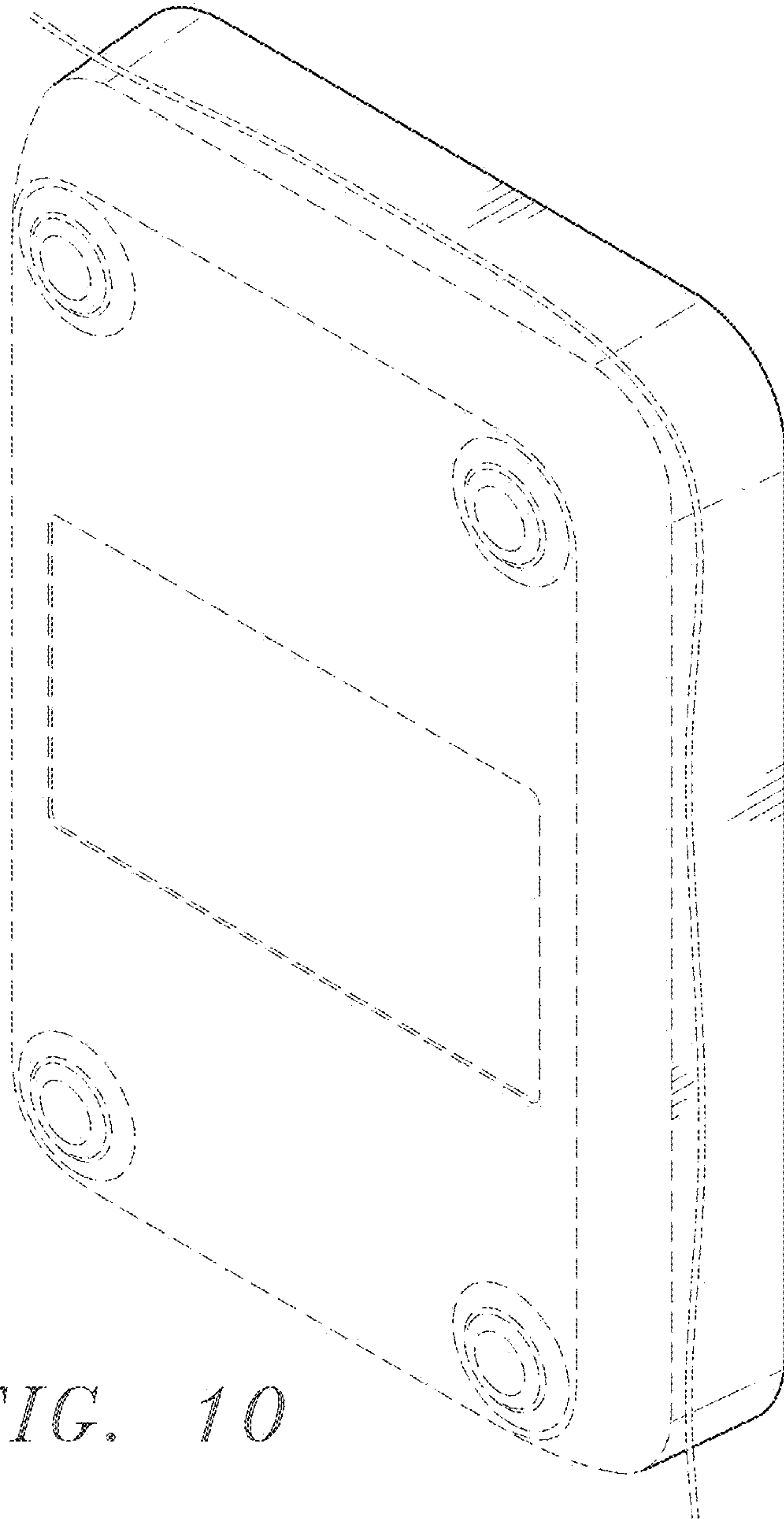


FIG. 10

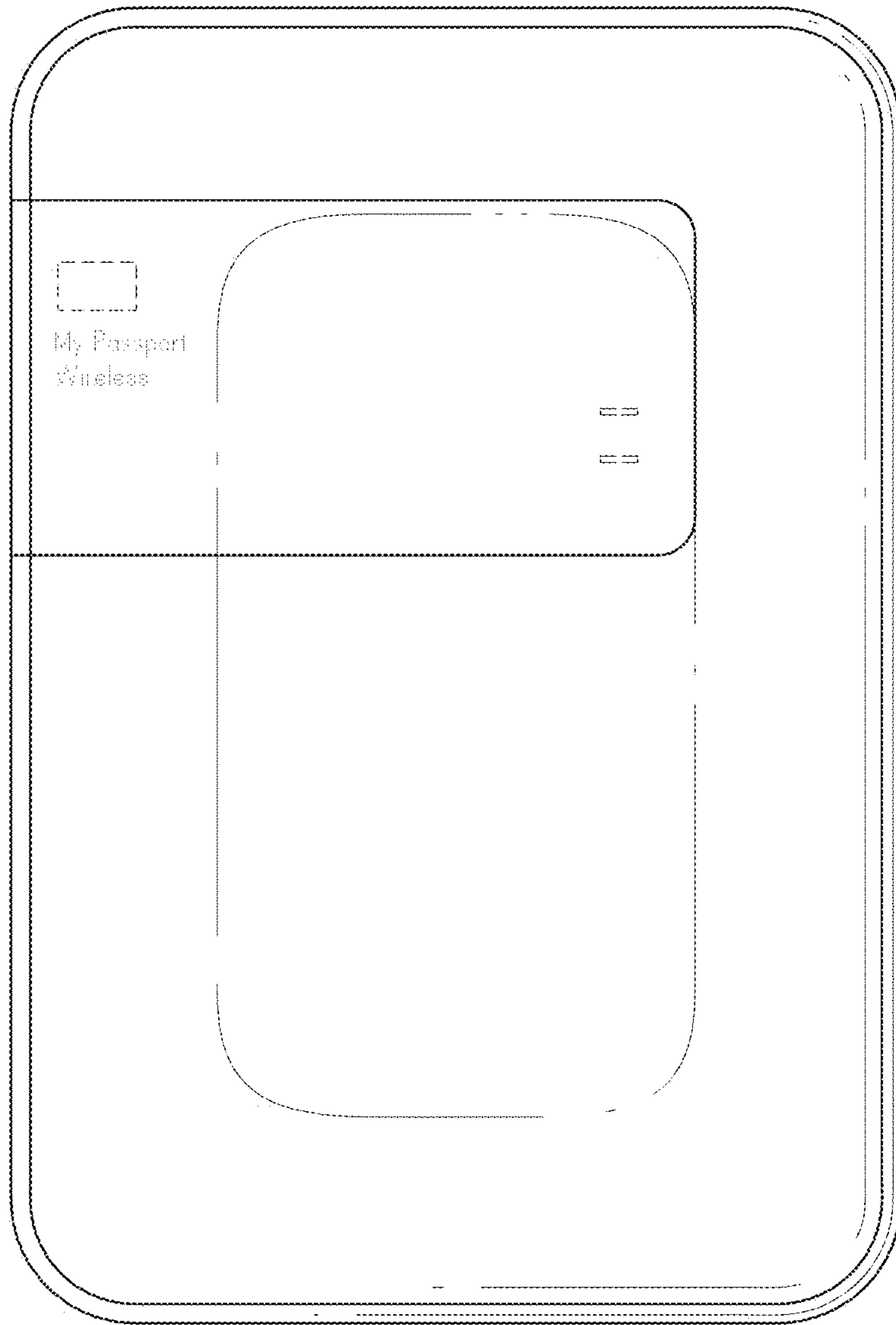


FIG. 11

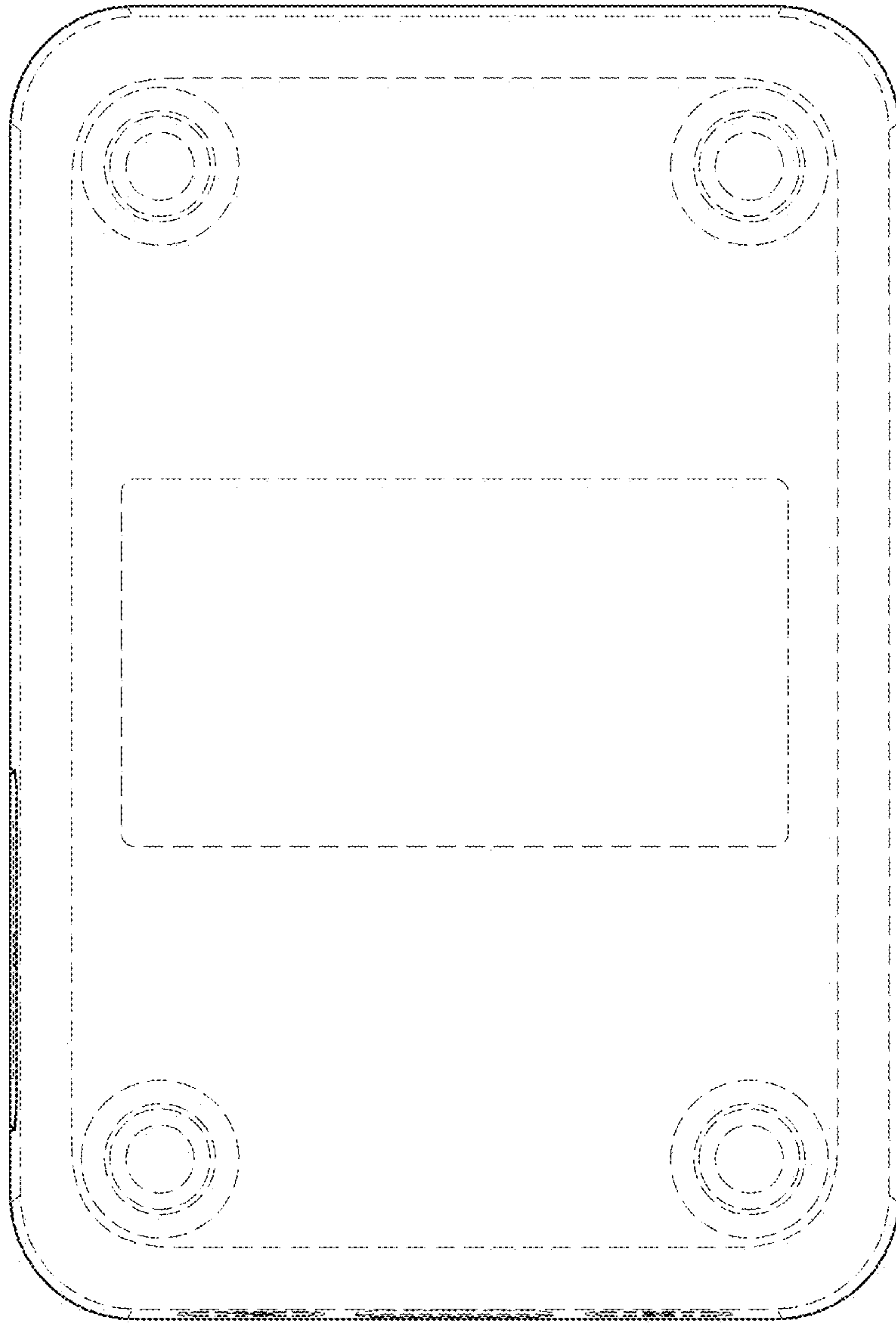


FIG. 12

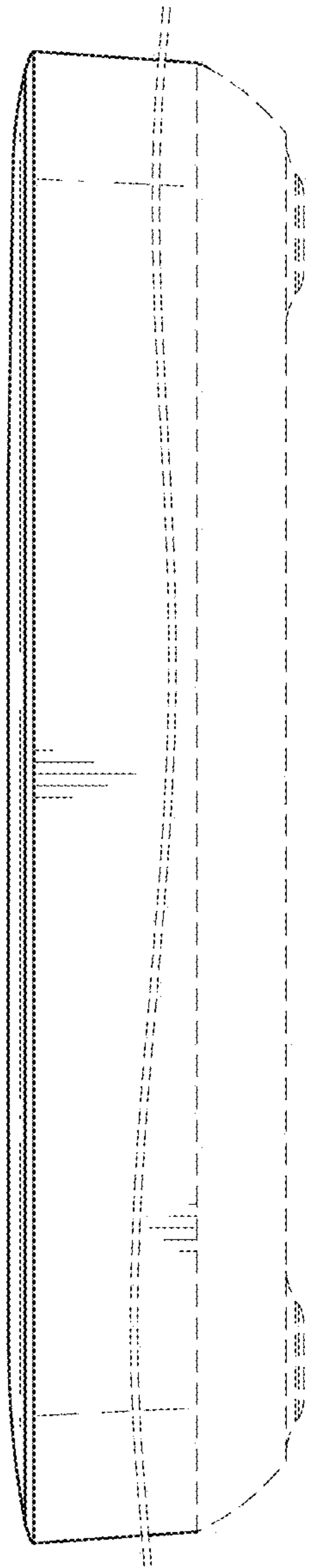


FIG. 13

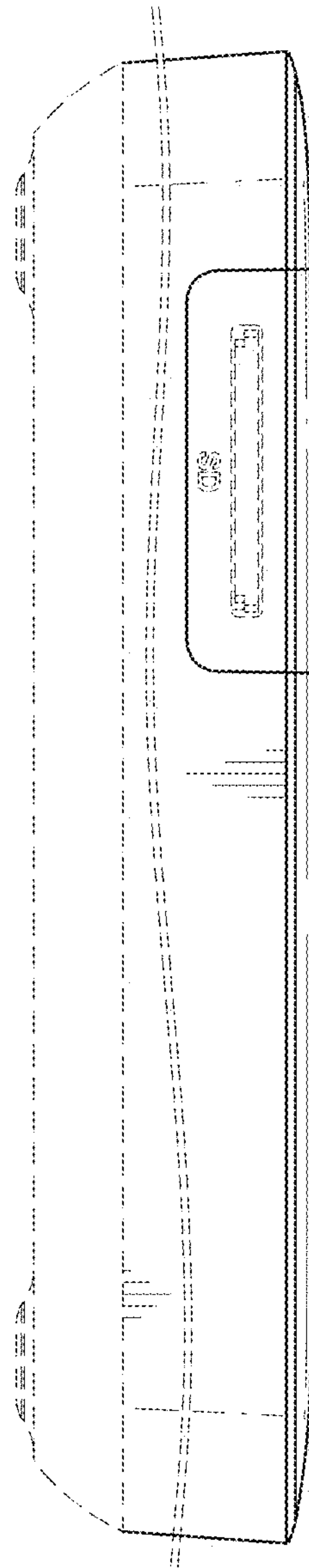


FIG. 14

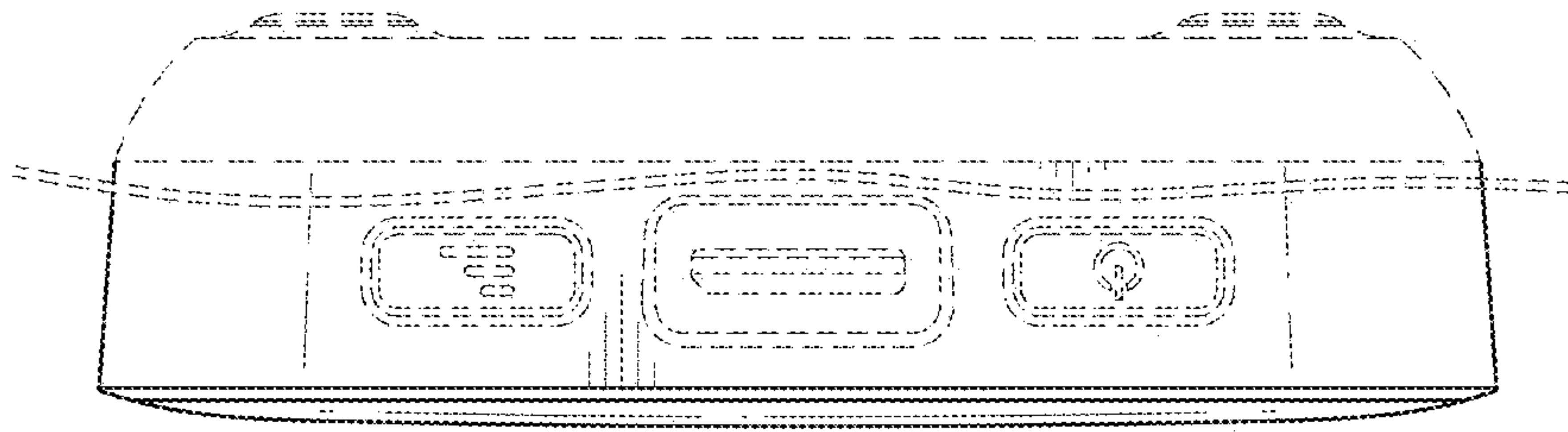


FIG. 15

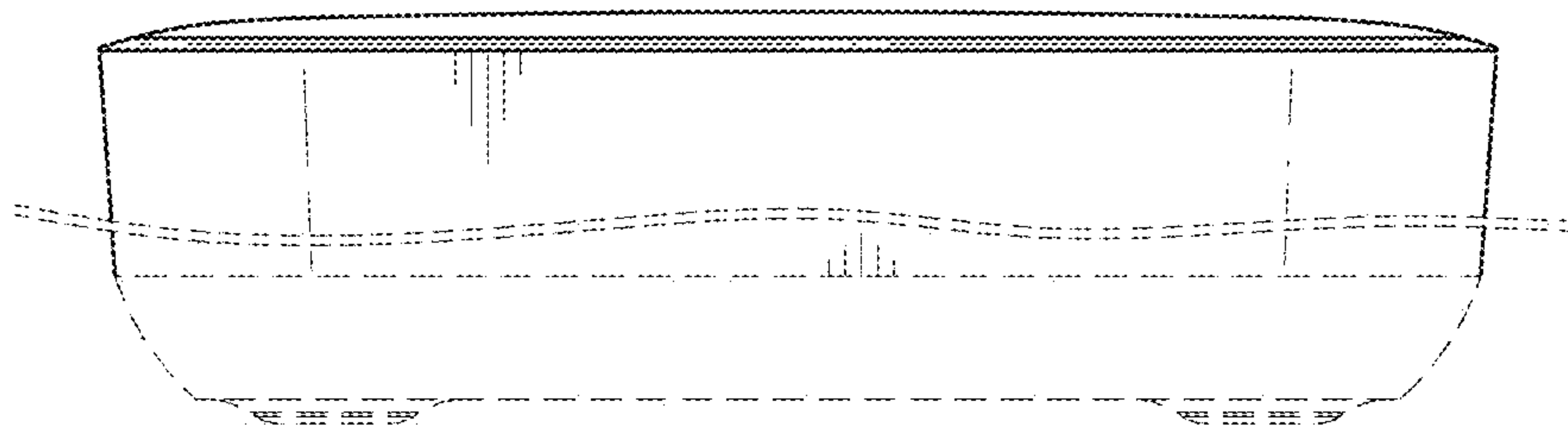


FIG. 16