



US00D740807S

(12) **United States Design Patent**
Daniel

(10) **Patent No.:** **US D740,807 S**
(45) **Date of Patent:** **** Oct. 13, 2015**

(54) **WEARABLE COMMUNICATION DEVICE**

(71) Applicant: **Isaac S. Daniel**, Miramar, FL (US)

(72) Inventor: **Isaac S. Daniel**, Miramar, FL (US)

(**) Term: **14 Years**

(21) Appl. No.: **29/452,063**

(22) Filed: **Apr. 11, 2013**

(51) **LOC (10) Cl.** **14-02**

(52) **U.S. Cl.**
USPC **D14/344**

(58) **Field of Classification Search**
USPC D10/31, 32, 38, 39; D14/138, 138 AA,
D14/138 G, 138 R, 144, 341, 344, 402;
368/10, 13, 69, 251, 281 X;
379/433.11; 455/550.1, 575.3
CPC G06F 1/163
See application file for complete search history.

(56) **References Cited**

U.S. PATENT DOCUMENTS

D329,201 S *	9/1992	Barat	D10/31
D435,460 S *	12/2000	Cebe et al.	D10/31
D638,723 S *	5/2011	Ong	D10/32
D645,017 S *	9/2011	Kim et al.	D14/138 G
D675,590 S *	2/2013	Daniel	D14/138 G
D676,402 S *	2/2013	Han	D14/138 G
D689,455 S *	9/2013	Daniel	D14/138 G
D698,331 S *	1/2014	Yoo	D14/138 G
D711,860 S *	8/2014	Daniel	D14/250
D719,150 S *	12/2014	Daniel	D14/341

D730,862 S *	6/2015	Lim	D14/138 G
D731,453 S *	6/2015	Park et al.	D14/138 G
D731,481 S *	6/2015	Akana et al.	D14/341

OTHER PUBLICATIONS

Tom's Hardware. Samsung Galazy S5 Smartphone Review. Feb. 14, 2015 [online], [site visited Jun. 11, 2015]. Available from Internet, <URL:http://www.tomshardware.com/reviews/samsung-galaxy-s5-smartphone,3908.html>.*

* cited by examiner

Primary Examiner — Robert M Spear
Assistant Examiner — Darcey E Heflin

(74) *Attorney, Agent, or Firm* — Carol N. Green Kaul, Esq.

(57) **CLAIM**

The ornamental design for a wearable communication device, as shown and described.

DESCRIPTION

FIG. 1 is a front perspective view of the wearable communication device.

FIG. 2 is a rear perspective view of the wearable communication device.

FIG. 3 is a top perspective view of the wearable communication device.

FIG. 4 is a front view of the wearable communication device.

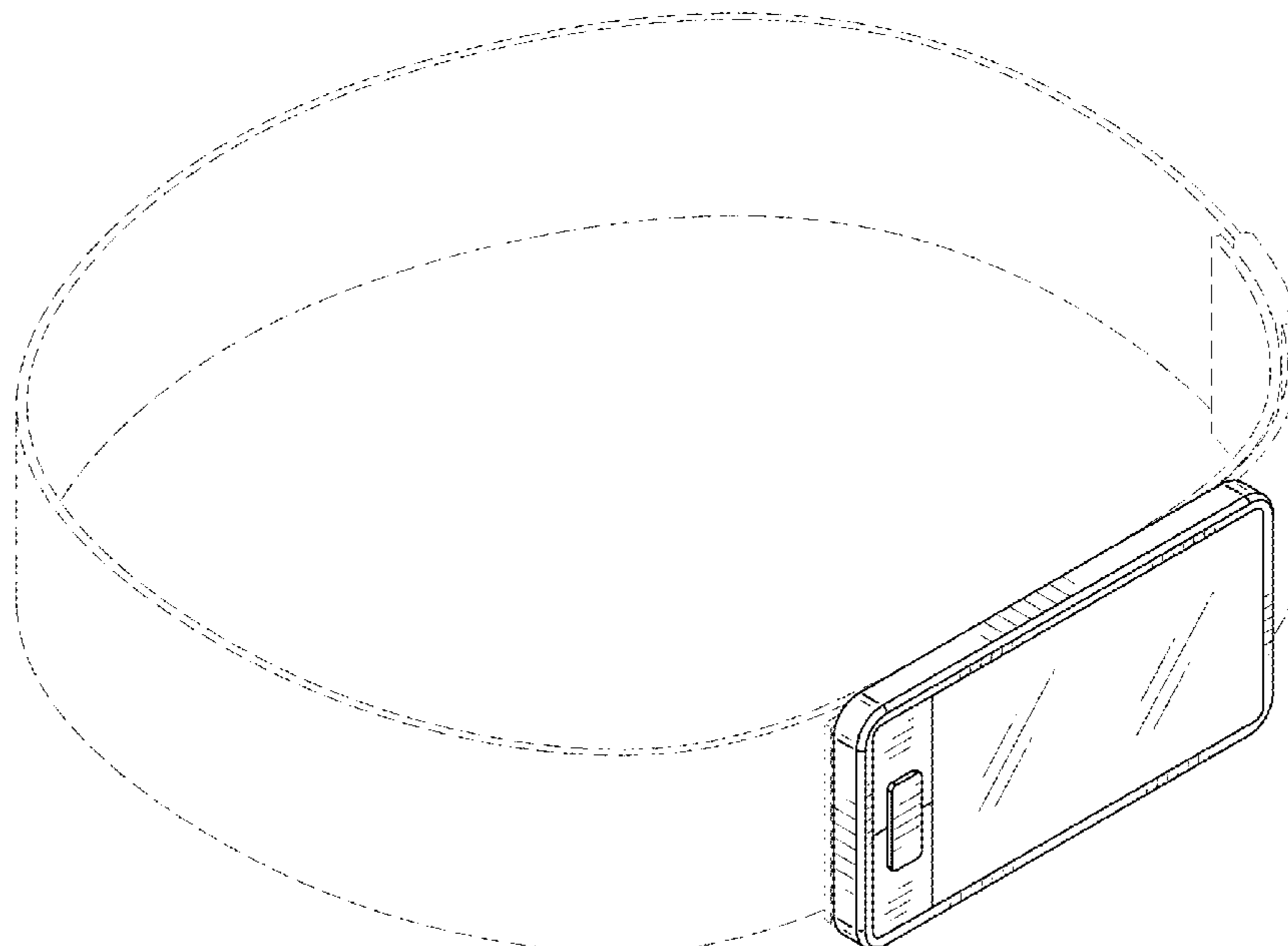
FIG. 5 is a rear view of the wearable communication device.

FIG. 6 is a right view of the wearable communication device; and,

FIG. 7 is a left perspective view of the wearable communication device.

The broken lines in FIGS. 1-7 depicting the belt are for environmental purposes only forming no part of the claimed design.

1 Claim, 5 Drawing Sheets



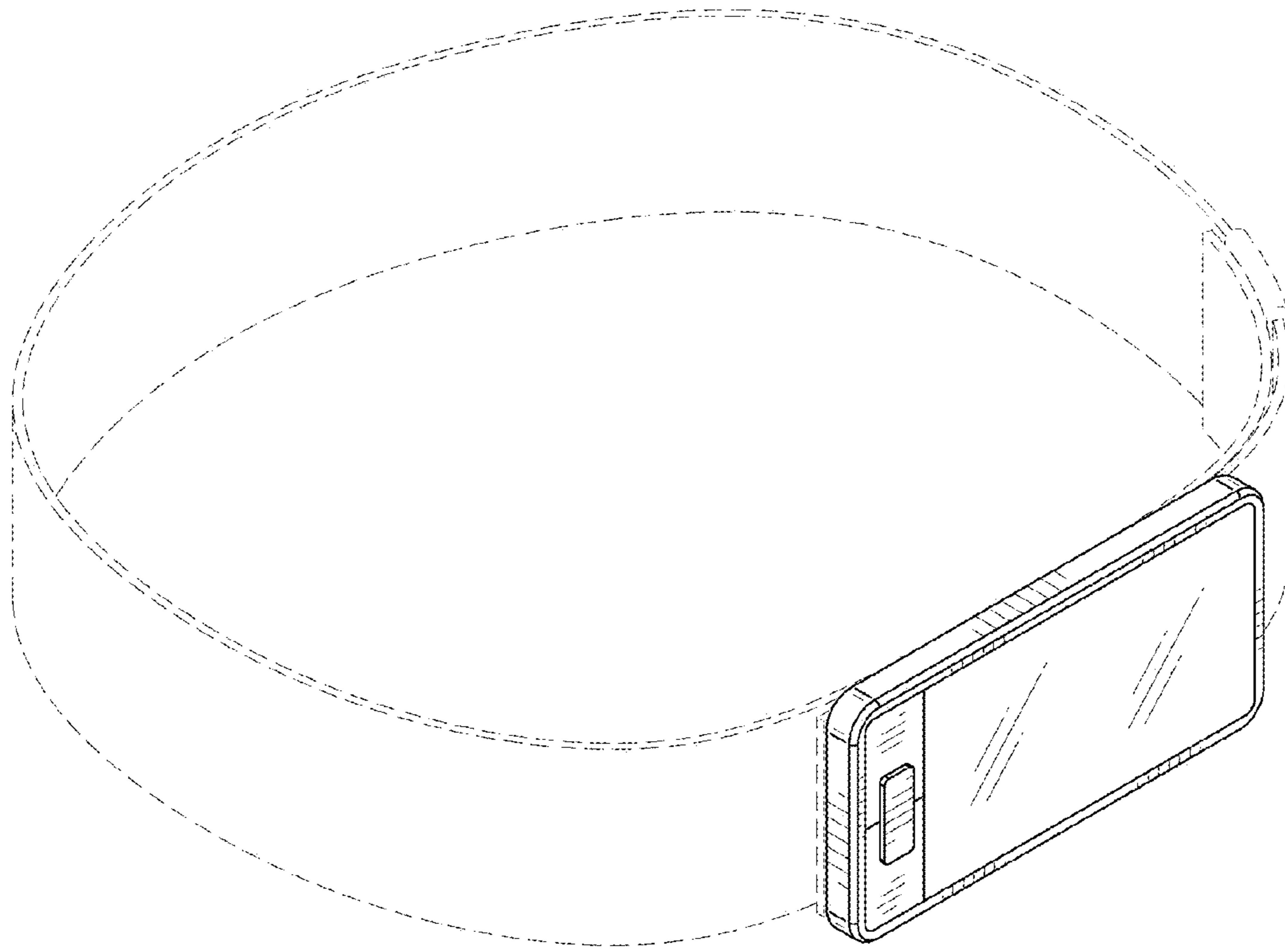


FIG. 1

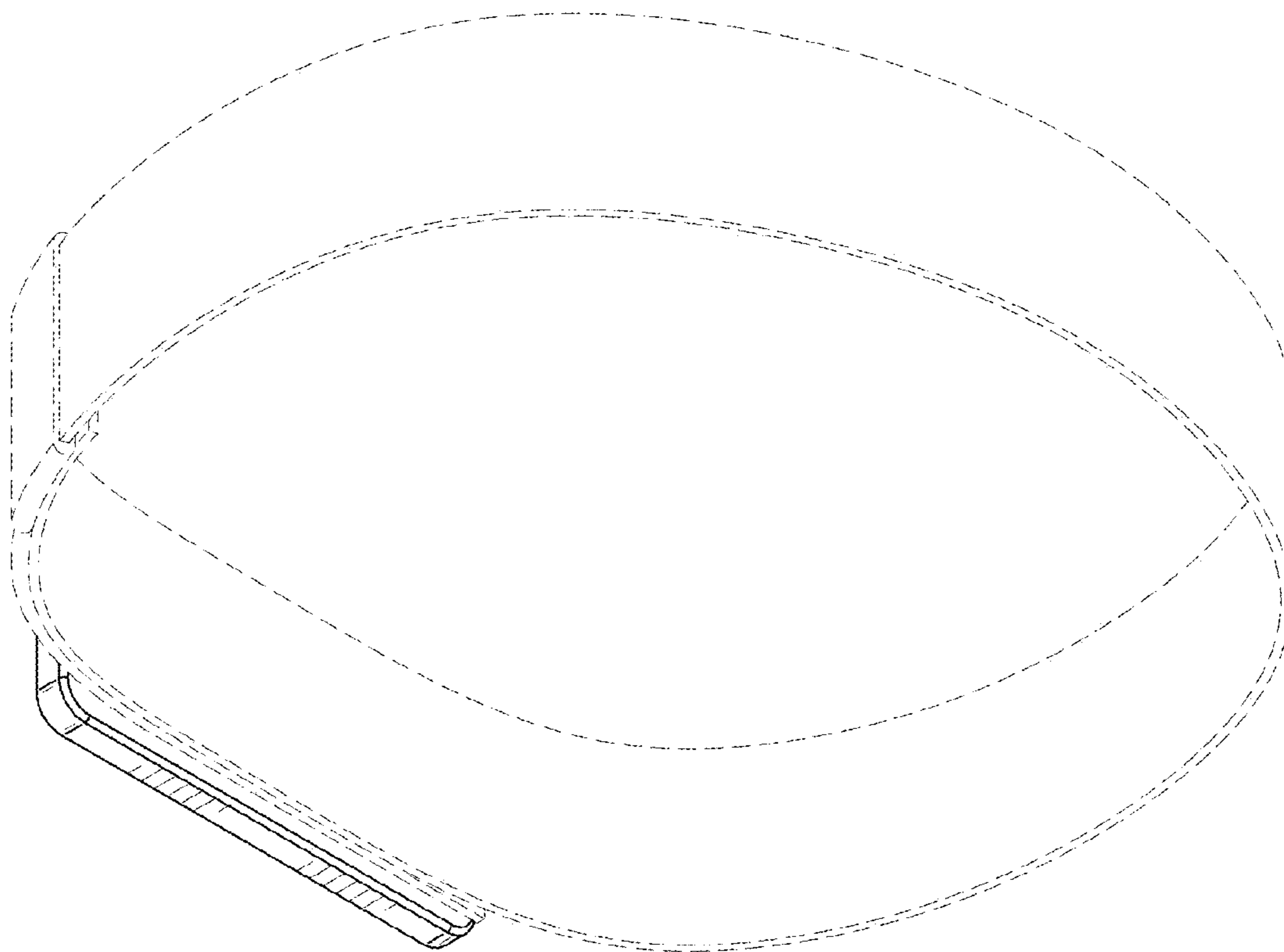


FIG. 2

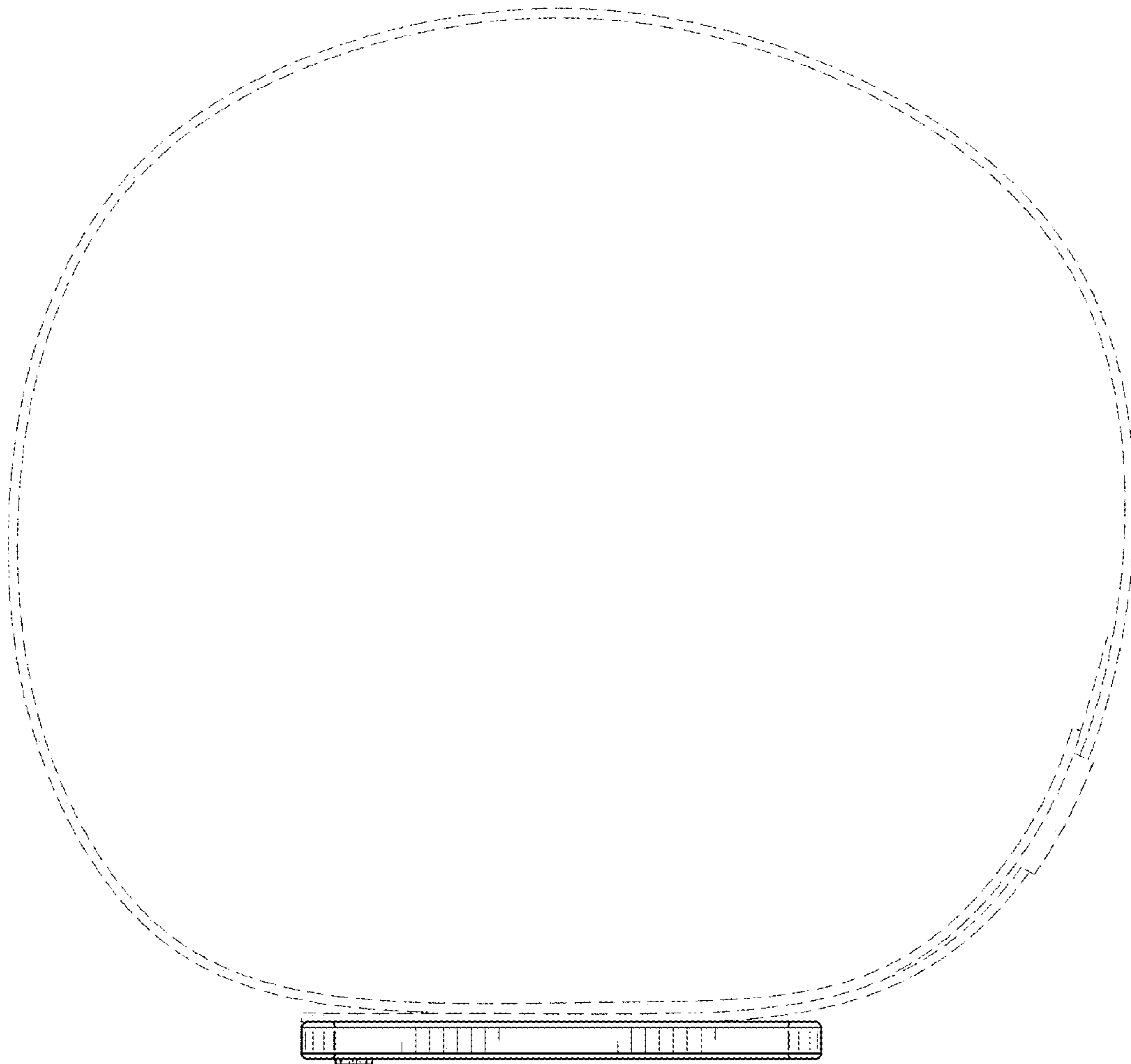


FIG. 3

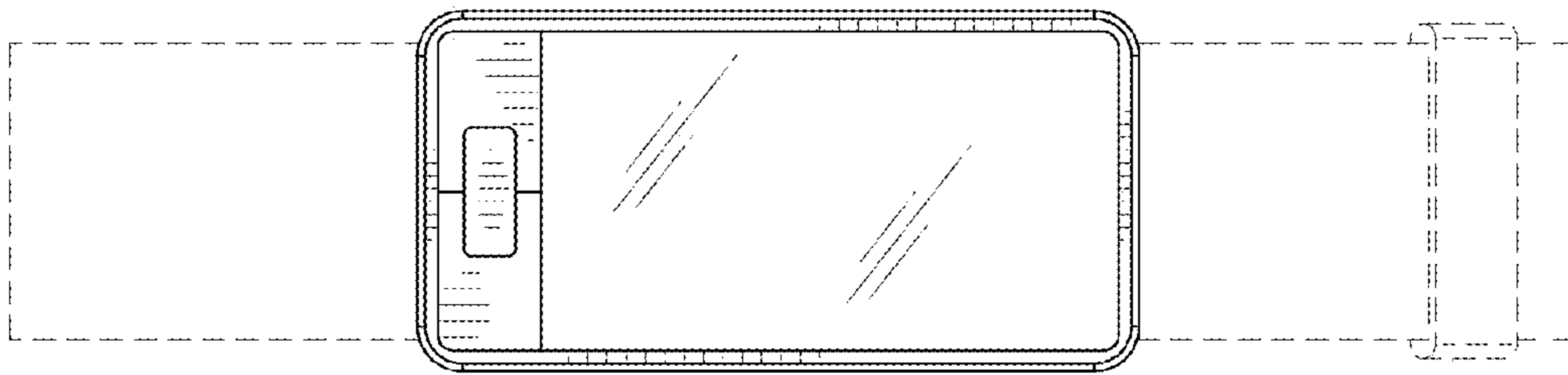


FIG. 4

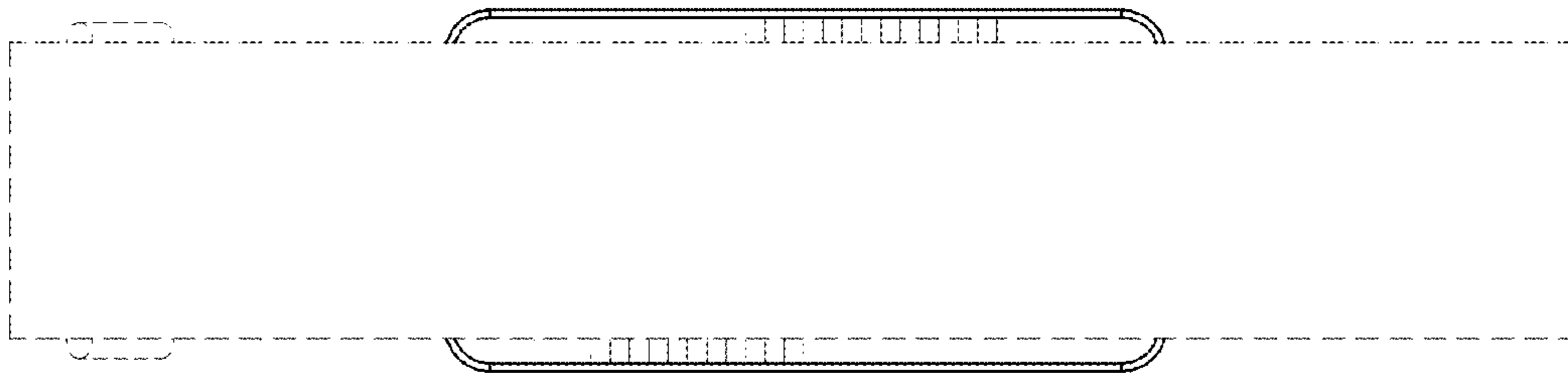


FIG. 5

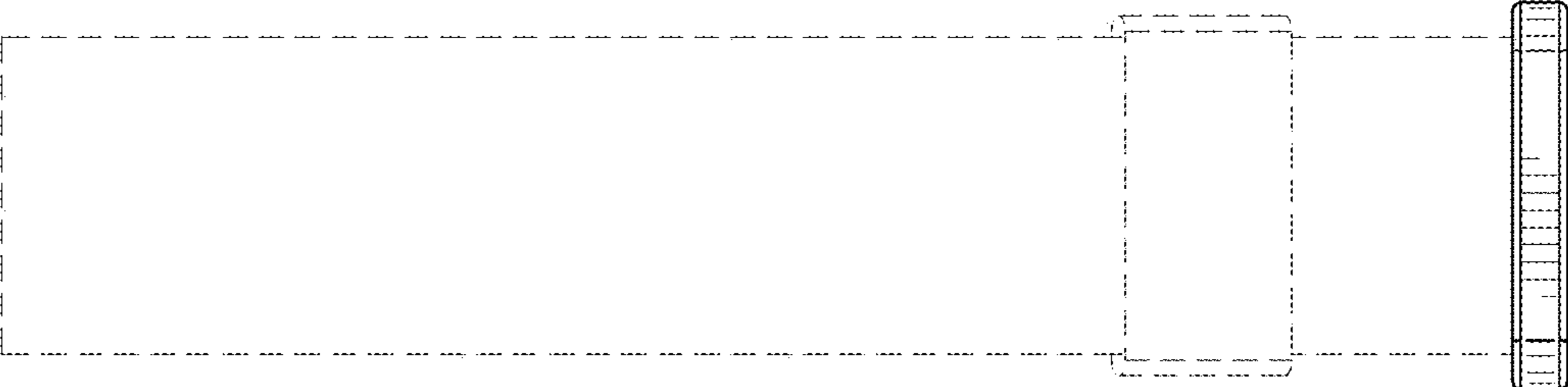


FIG. 6

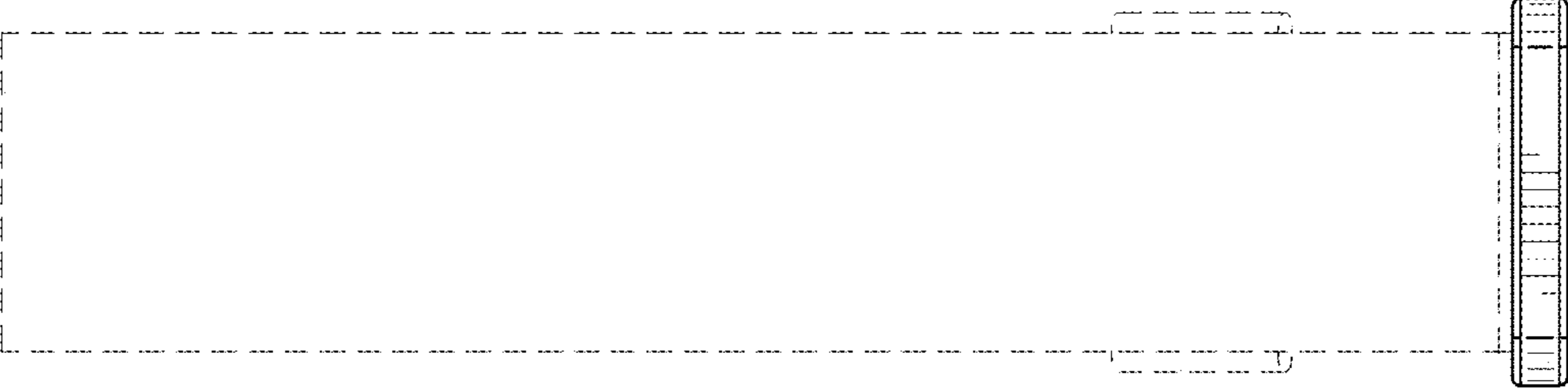


FIG. 7