



US00D740806S

(12) **United States Design Patent**
Fujimoto et al.

(10) **Patent No.:** **US D740,806 S**

(45) **Date of Patent:** **** Oct. 13, 2015**

(54) **PERSONAL COMPUTER**

(71) Applicant: **FUJITSU LIMITED**, Kawasaki (JP)

(72) Inventors: **Masahiro Fujimoto**, Tokyo (JP); **Ichiro Itano**, Yokohama (JP)

(73) Assignee: **FUJITSU LIMITED**, Kawasaki (JP)

(**) Term: **14 Years**

(21) Appl. No.: **29/475,304**

(22) Filed: **Dec. 2, 2013**

(30) **Foreign Application Priority Data**

Jun. 3, 2013 (JP) 2013-012329

(51) **LOC (10) Cl.** **14-02**

(52) **U.S. Cl.**
USPC **D14/341**

(58) **Field of Classification Search**
USPC D14/341-347, 137, 138 R, 138 AA,
D14/138 C, 138 G, 496, 203.1, 203.3, 203.4,
D14/203.7, 129, 130, 147, 218, 247, 248,
D14/250, 374, 371, 385, 388, 389, 315-318,
D14/420, 426, 439; D6/308, 310; D10/65,
D10/104.1; D19/26, 59, 60; D21/324, 329,
D21/330, 332; 248/917-924; 463/37;
455/556.1, 556.2, 566, 575.1, 90.3;
379/433.04, 433.01, 433.06, 916;
345/173, 901, 905; 348/376;
361/679.21, 679.26, 679.27, 679.3,
361/679.55, 679.56, 679.59
CPC ... G06F 1/1613; G06F 1/1624; G06F 1/1626;
G06F 1/165; G06F 3/0485; G06F 3/0488;
H04M 1/0202; H04M 1/0279; H04M 1/0281;
H04M 1/0283; H04M 1/0214; H04M 1/0264;
H04M 1/72544; H04M 1/72552

See application file for complete search history.

(56) **References Cited**

U.S. PATENT DOCUMENTS

D502,944	S	*	3/2005	Kawami et al.	D14/336
D625,722	S	*	10/2010	Park	D14/365
D629,798	S	*	12/2010	Arie et al.	D14/341
D634,317	S	*	3/2011	Buckle et al.	D14/341
D634,318	S	*	3/2011	Buckle et al.	D14/341
D640,255	S	*	6/2011	Lee et al.	D14/341
D649,966	S	*	12/2011	Chiu	D14/341
D649,967	S	*	12/2011	Chiu	D14/341
D656,497	S	*	3/2012	Chiu	D14/341
D675,203	S	*	1/2013	Yang	D14/341
D697,507	S	*	1/2014	Yu et al.	D14/341
D714,286	S	*	9/2014	Kim et al.	D14/341
D714,784	S	*	10/2014	Park	D14/341
D715,287	S	*	10/2014	Nagao et al.	D14/316
D716,293	S	*	10/2014	Hwang et al.	D14/341
D729,234	S	*	5/2015	Park et al.	D14/341
D729,235	S	*	5/2015	Nagao et al.	D14/341
D729,236	S	*	5/2015	Lee et al.	D14/341

* cited by examiner

Primary Examiner — Eric Goodman

Assistant Examiner — Clese Moore, Jr.

(74) *Attorney, Agent, or Firm* — Staas & Halsey LLP

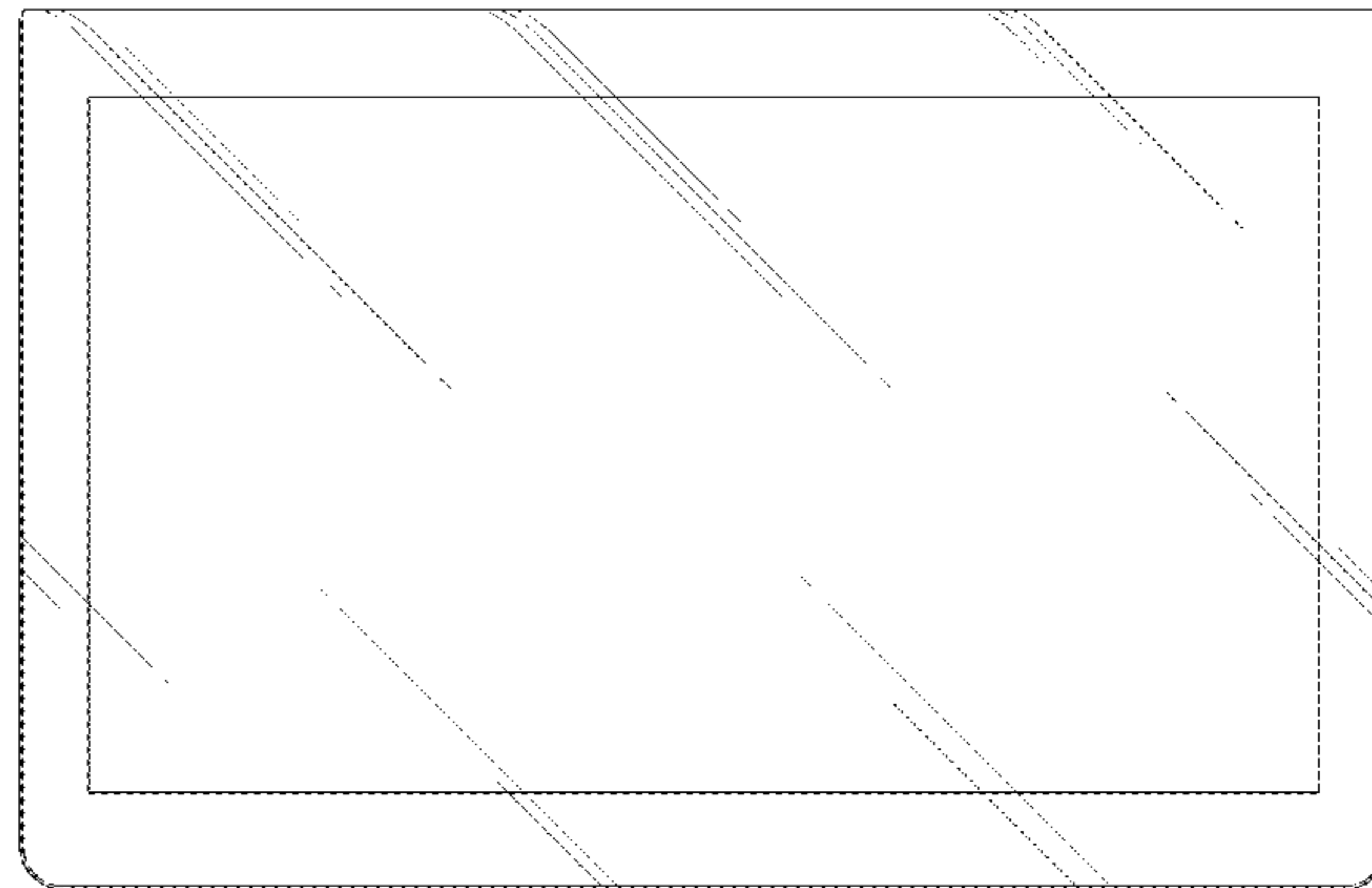
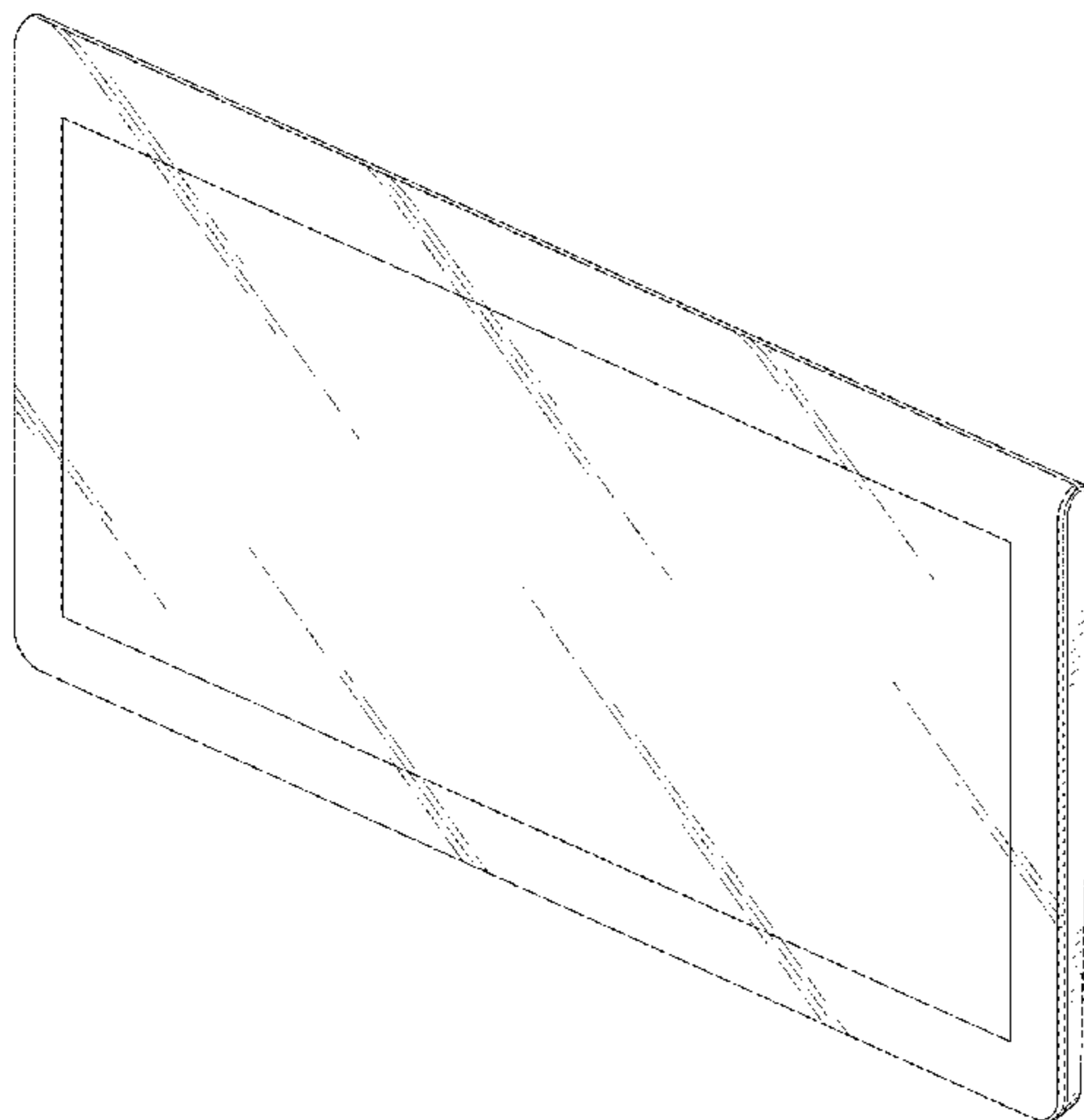
(57) **CLAIM**

The ornamental design for a personal computer, as shown and described.

DESCRIPTION

FIG. 1 is a perspective view of front, top and right side of a personal computer showing our new design;
FIG. 2 is a perspective view of rear, top and left side thereof;
FIG. 3 is a front view thereof;
FIG. 4 is a rear view thereof;
FIG. 5 is a left side view thereof;
FIG. 6 is a right side view thereof;
FIG. 7 is a top view thereof; and,
FIG. 8 is a bottom view thereof.

1 Claim, 6 Drawing Sheets



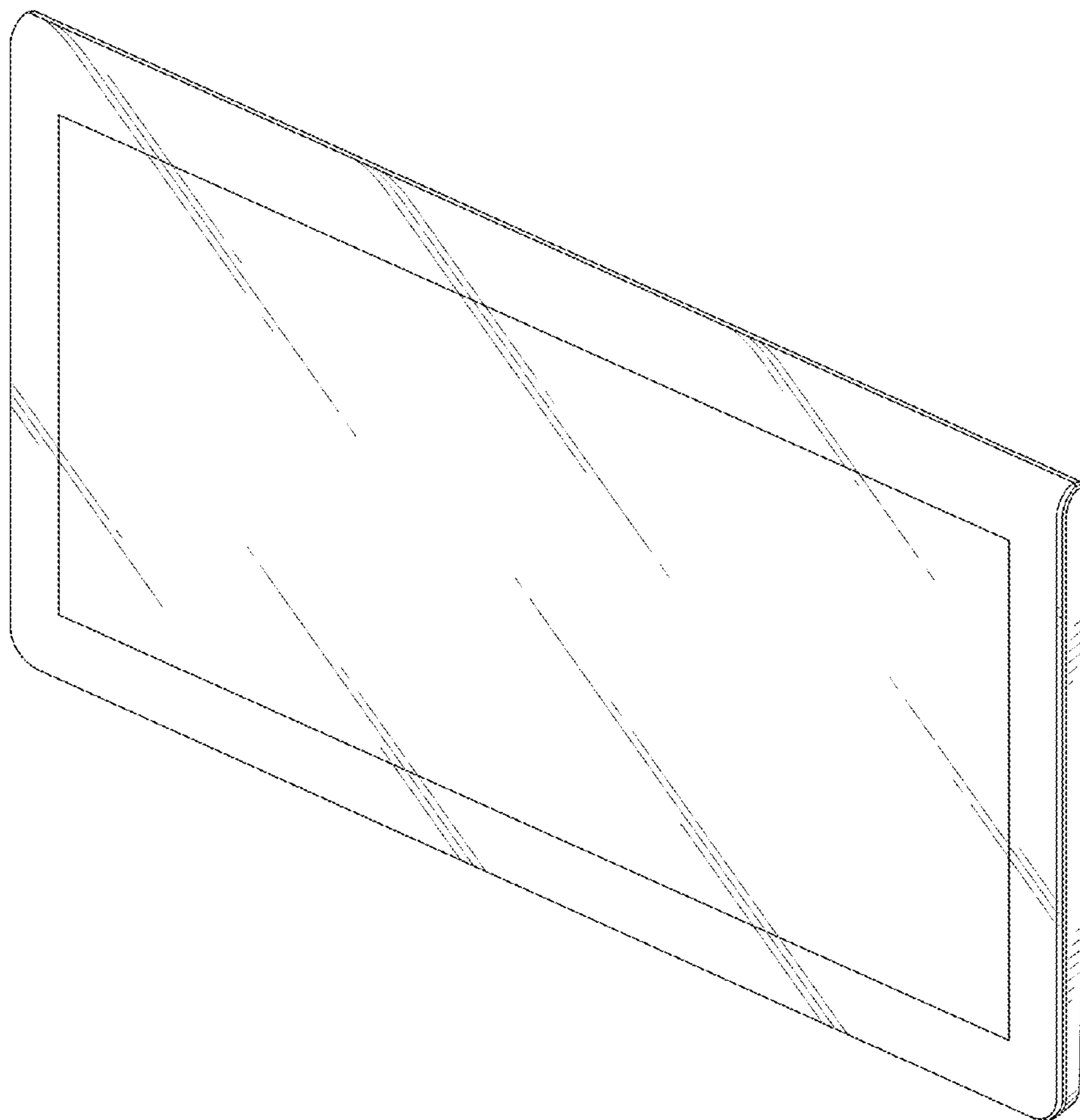


FIG. 1

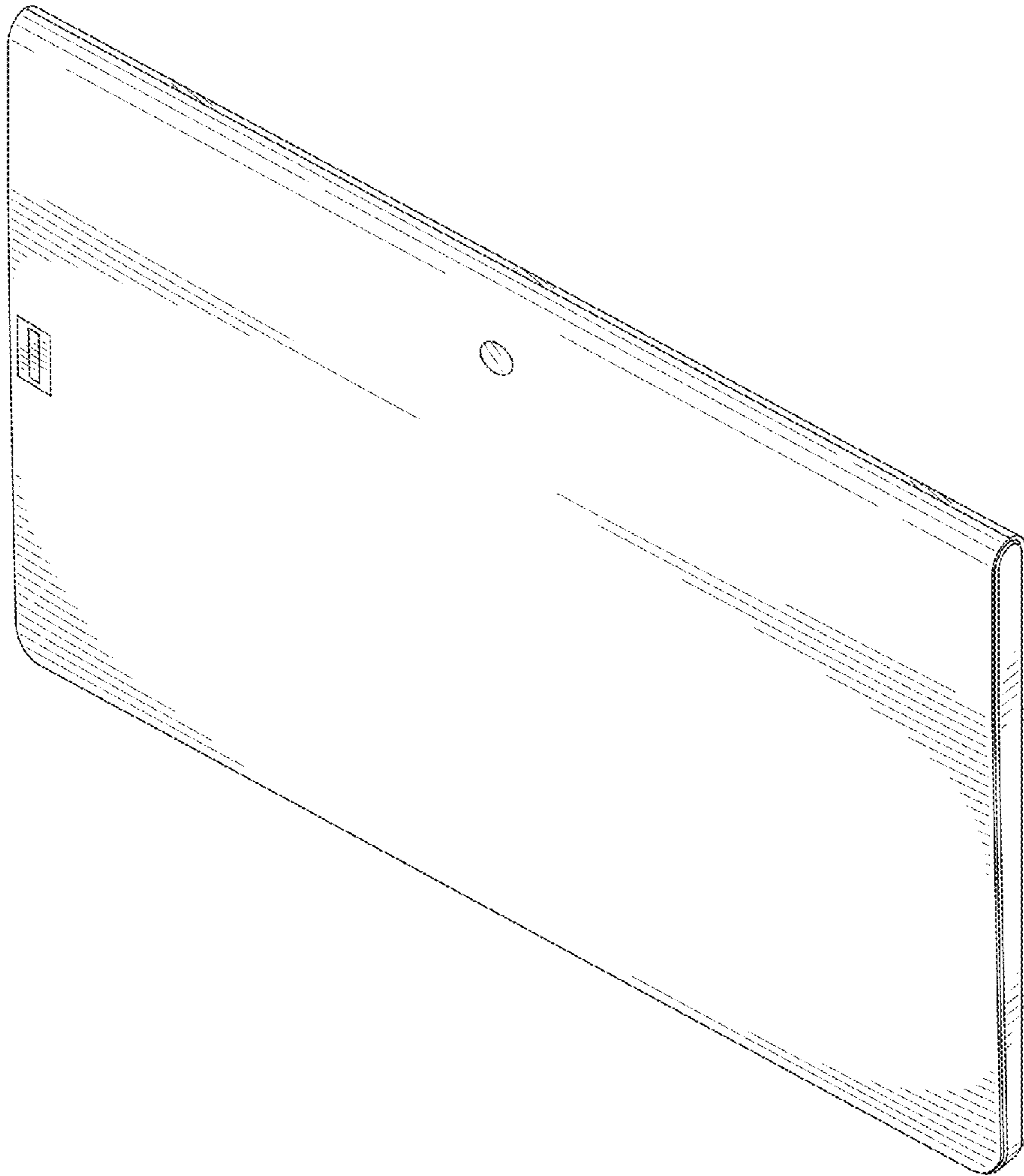


FIG. 2

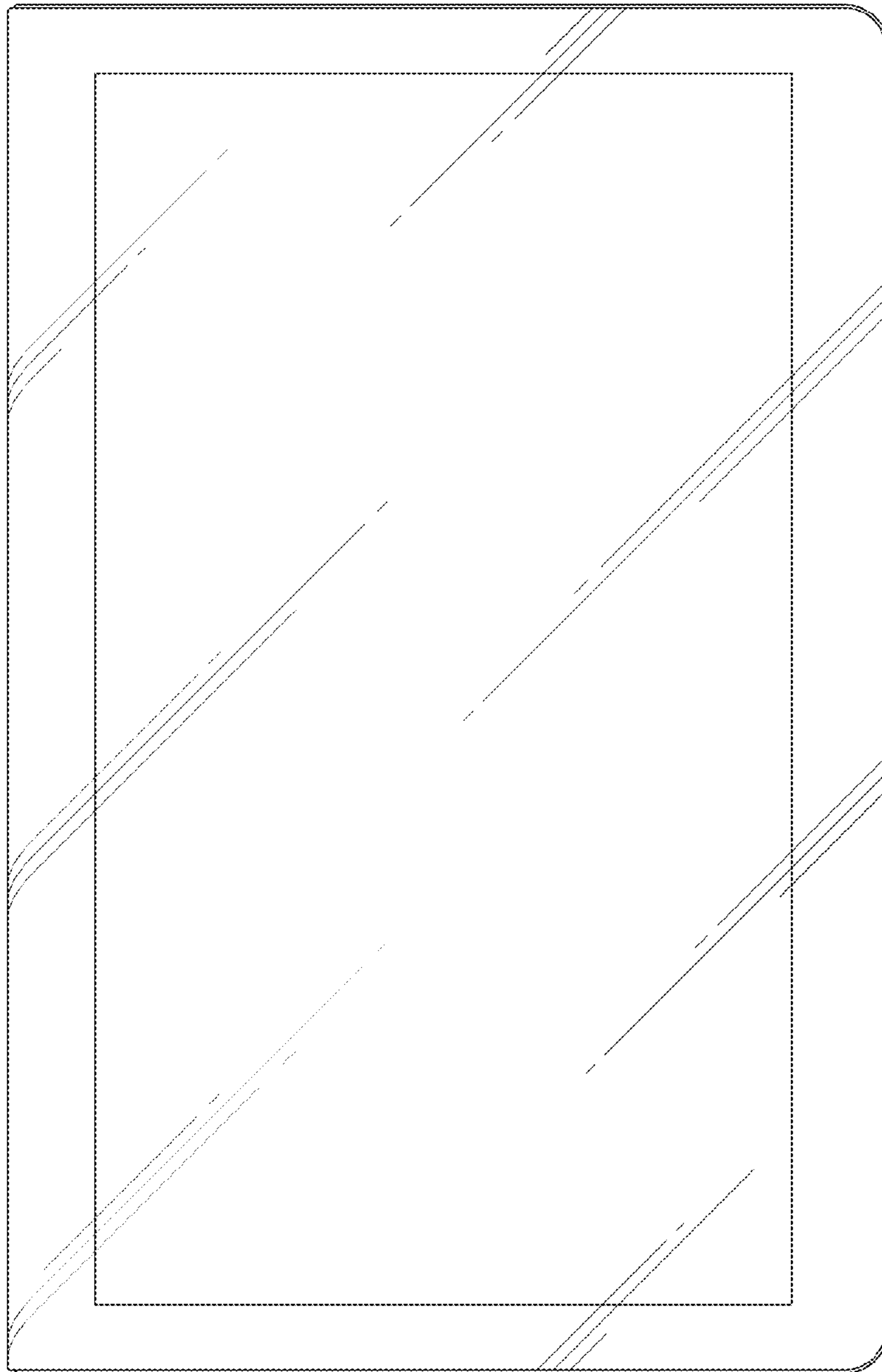


FIG. 3

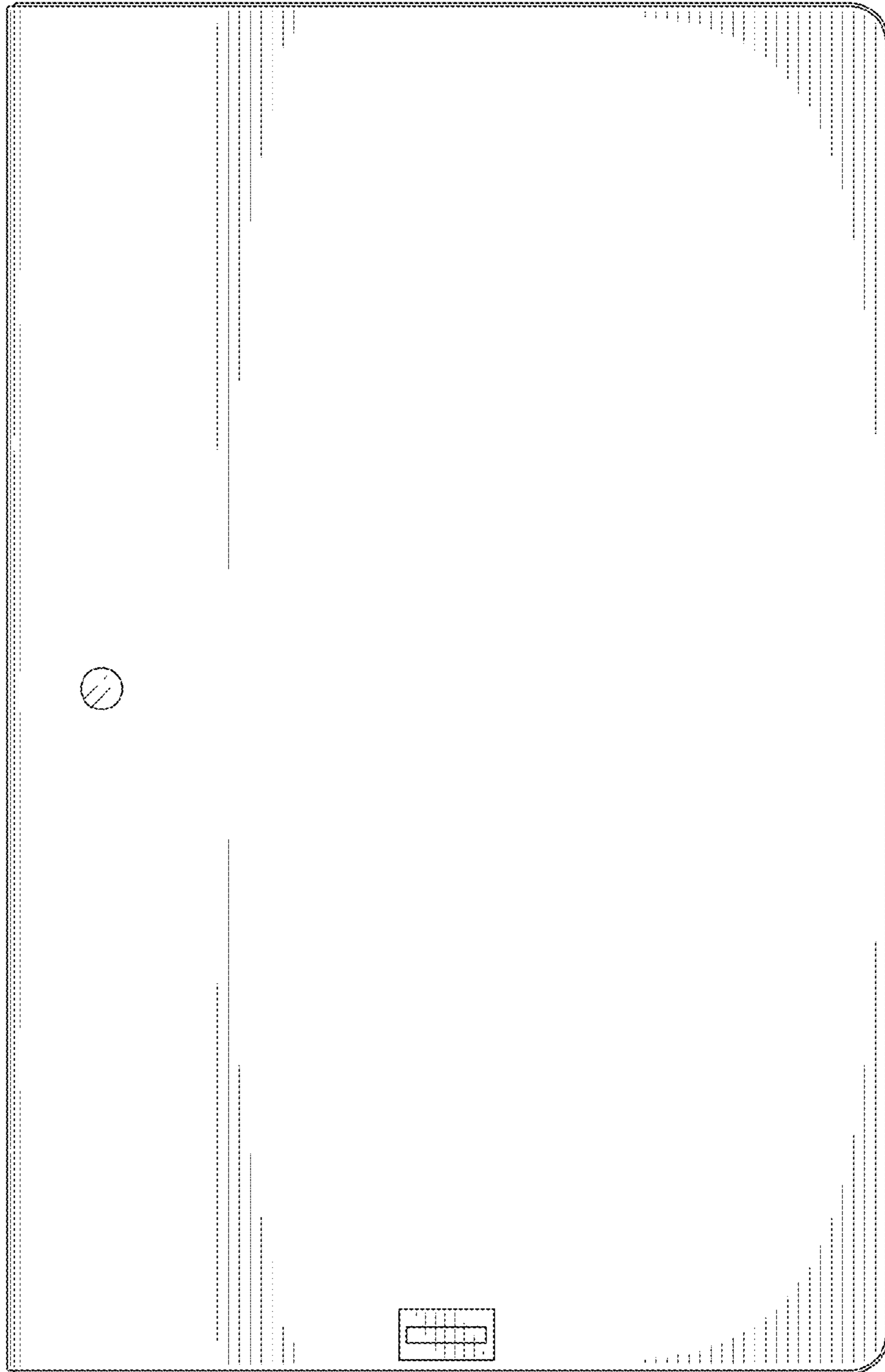


FIG. 4



FIG. 6

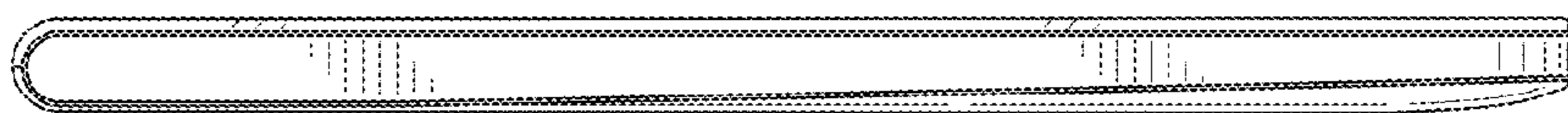


FIG. 5



FIG. 7

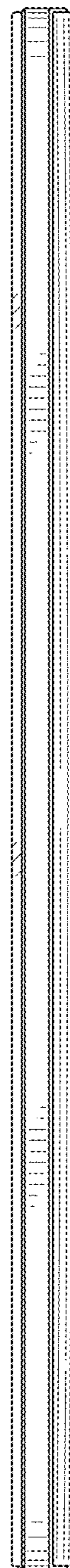


FIG. 8