



US00D740799S

(12) **United States Design Patent**
Fan

(10) **Patent No.:** **US D740,799 S**

(45) **Date of Patent:** **** Oct. 13, 2015**

(54) **HOLDER**

(71) Applicant: **Eagle Fan**, Chu-Pei (TW)

(72) Inventor: **Eagle Fan**, Chu-Pei (TW)

(**) Term: **14 Years**

(21) Appl. No.: **29/487,822**

(22) Filed: **Apr. 11, 2014**

(51) **LOC (10) Cl.** **14-03**

(52) **U.S. Cl.**
USPC **D14/253**

(58) **Field of Classification Search**
USPC D14/251–253, 434, 140, 142, 149, 217,
D14/240; D21/313; D13/107, 108; D10/23;
D8/71, 72, 74, 349, 373; D6/302, 303,
D6/306, 310, 312; 455/575.1; D19/88;
D16/242, 245; D3/218
CPC H04M 1/00; H04M 1/04; H04M 1/06;
H04M 1/11; F16M 11/04; F16M 11/041;
B60R 11/02; B60R 11/0241; B60R 11/0258;
B60R 11/0252
See application file for complete search history.

(56) **References Cited**

U.S. PATENT DOCUMENTS

D278,611 S *	4/1985	Sussman et al.	D11/67
D313,700 S *	1/1991	Zoldessy	D6/306
D431,097 S *	9/2000	Tamez	D28/67
6,256,387 B1 *	7/2001	Wang	379/446

D476,654 S *	7/2003	Zuege et al.	D14/371
D499,092 S *	11/2004	Fan	D14/253
D610,583 S *	2/2010	Chiu	D14/371
D663,733 S *	7/2012	Ewig	D14/434
D704,199 S *	5/2014	Byun	D14/447
D705,211 S *	5/2014	Huang	D14/253
D709,066 S *	7/2014	Byun	D14/253
D713,398 S *	9/2014	Alesi et al.	D14/253
2002/0159587 A1 *	10/2002	Chang	379/454
2005/0236536 A1 *	10/2005	Fan	248/176.3
2010/0069130 A1 *	3/2010	Wang et al.	455/575.9
2014/0145051 A1 *	5/2014	Gwag	248/298.1
2014/0342786 A1 *	11/2014	Ulkem et al.	455/575.9

* cited by examiner

Primary Examiner — Susan Bennett Hattan

Assistant Examiner — Marie Fast Horse

(74) *Attorney, Agent, or Firm* — Rabin & Berdo, P.C.

(57) **CLAIM**

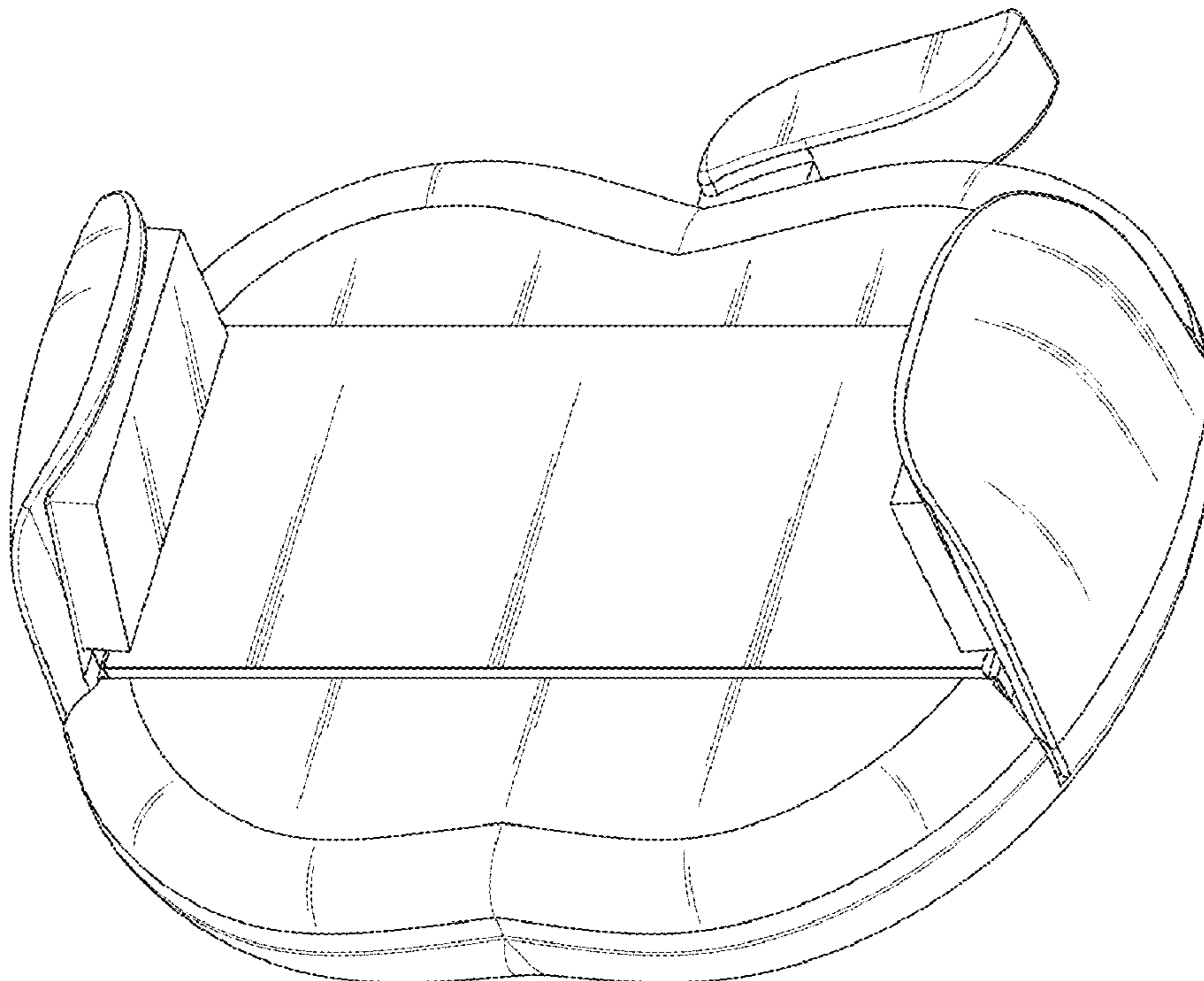
The ornamental design for a holder, as shown and described.

DESCRIPTION

FIG. 1 is a perspective view of a holder showing our new design;
FIG. 2 is a front elevational view thereof;
FIG. 3 is a rear elevational view thereof;
FIG. 4 is a left side elevational view thereof;
FIG. 5 is a right side elevational view thereof;
FIG. 6 is a top view thereof; and,
FIG. 7 is a bottom view thereof.

The broken lines in FIG. 3 depict parts of the holder that form no part of the claimed design.

1 Claim, 7 Drawing Sheets



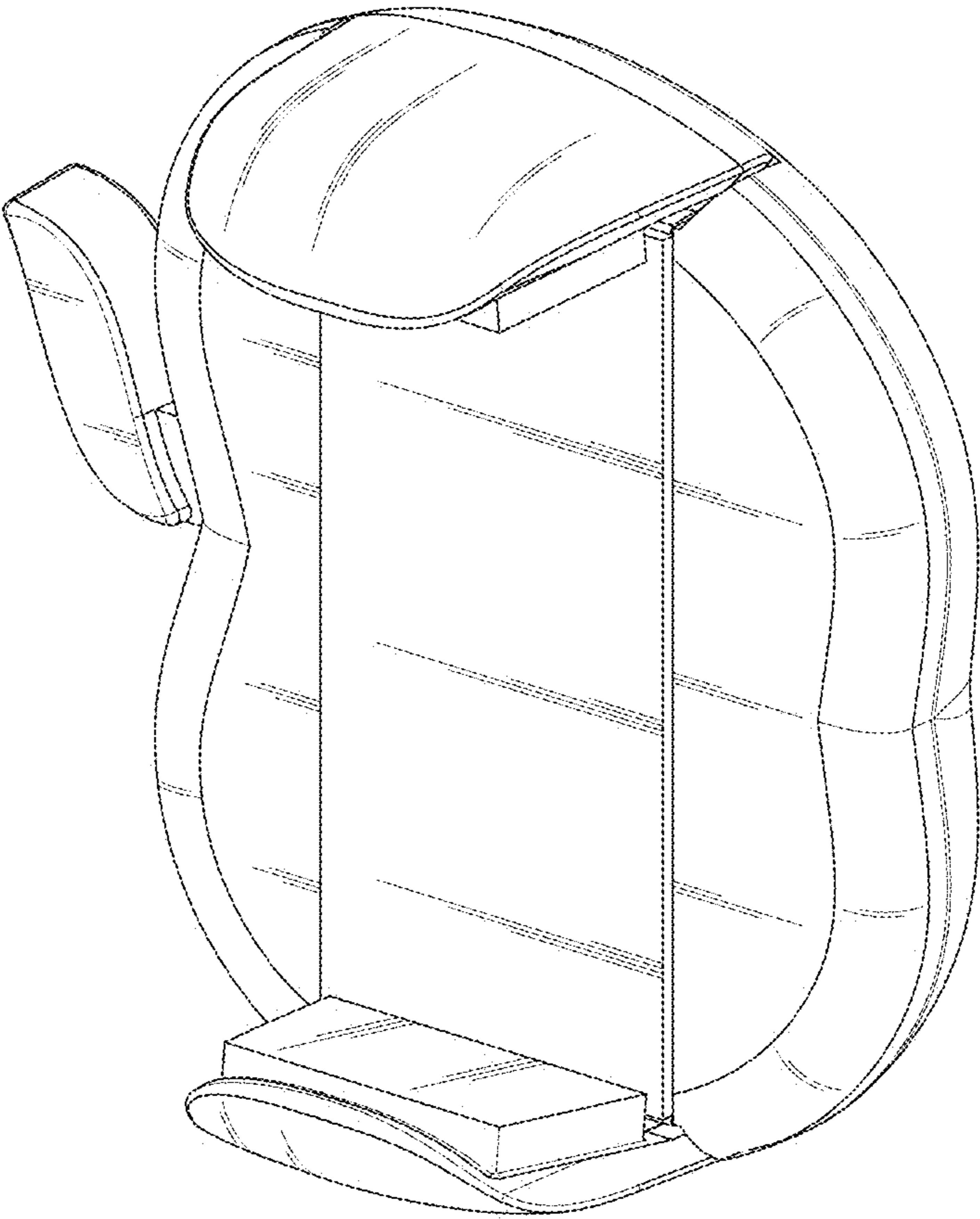


FIG. 1

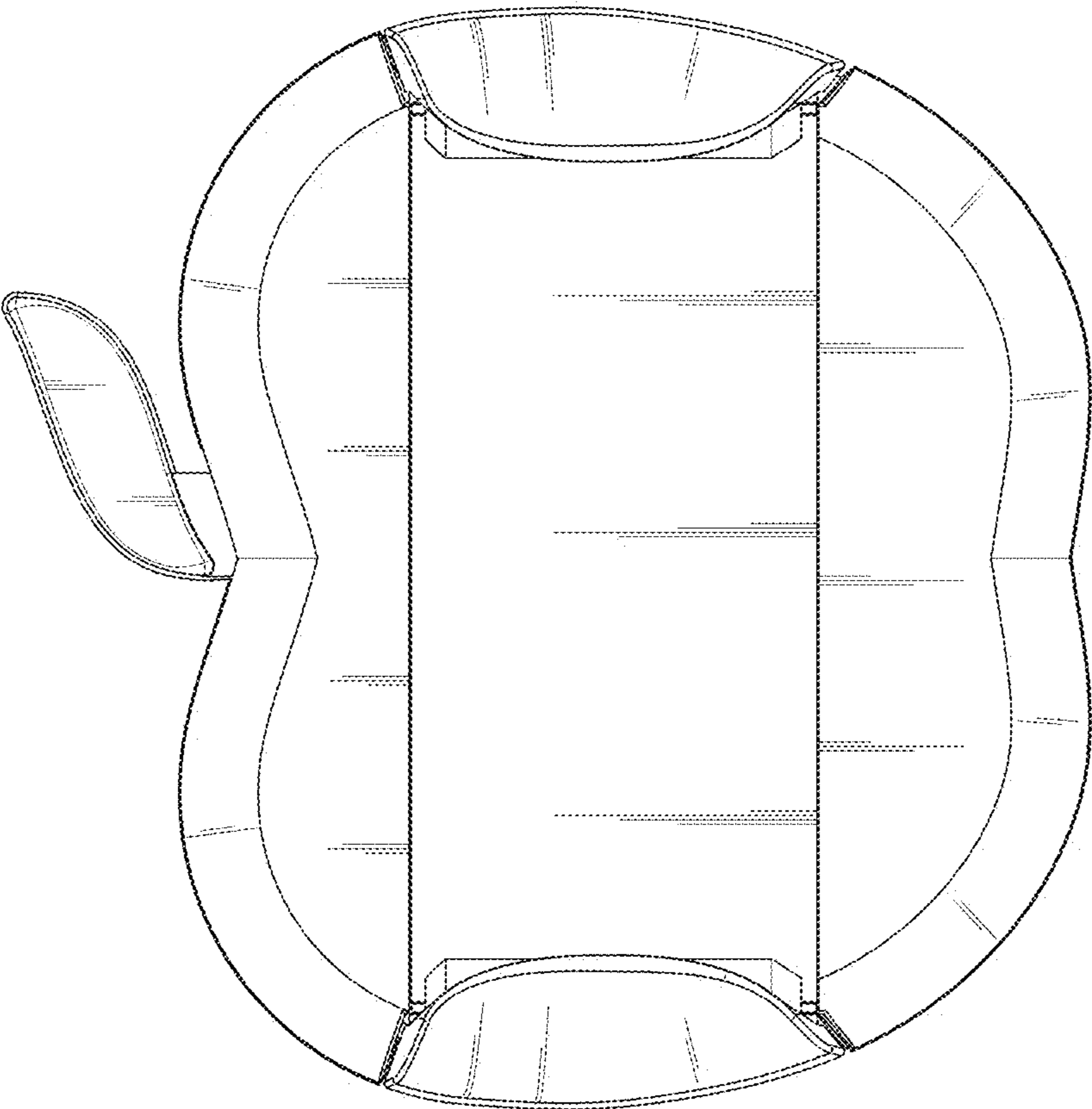


FIG. 2

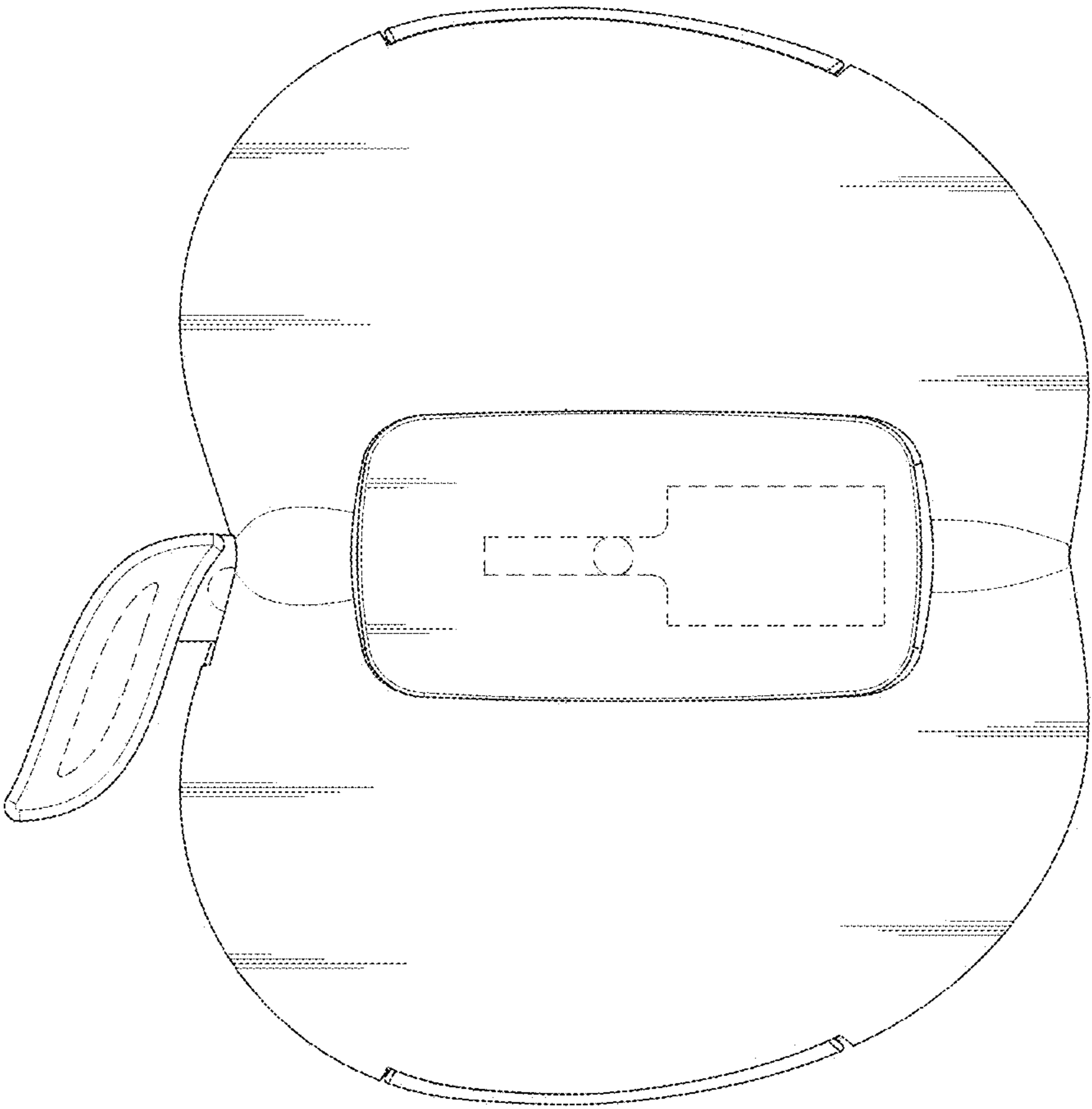


FIG. 3

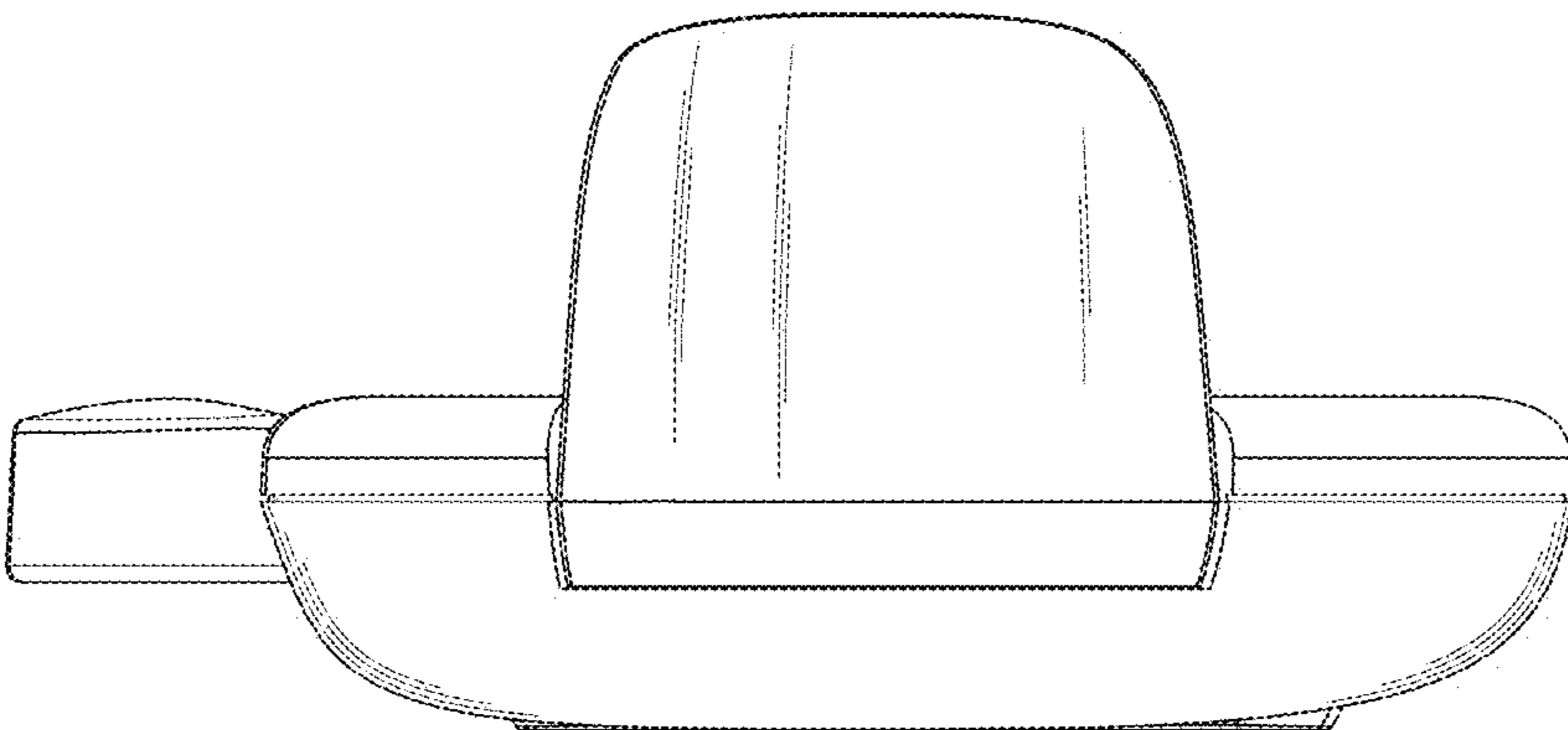


FIG. 4

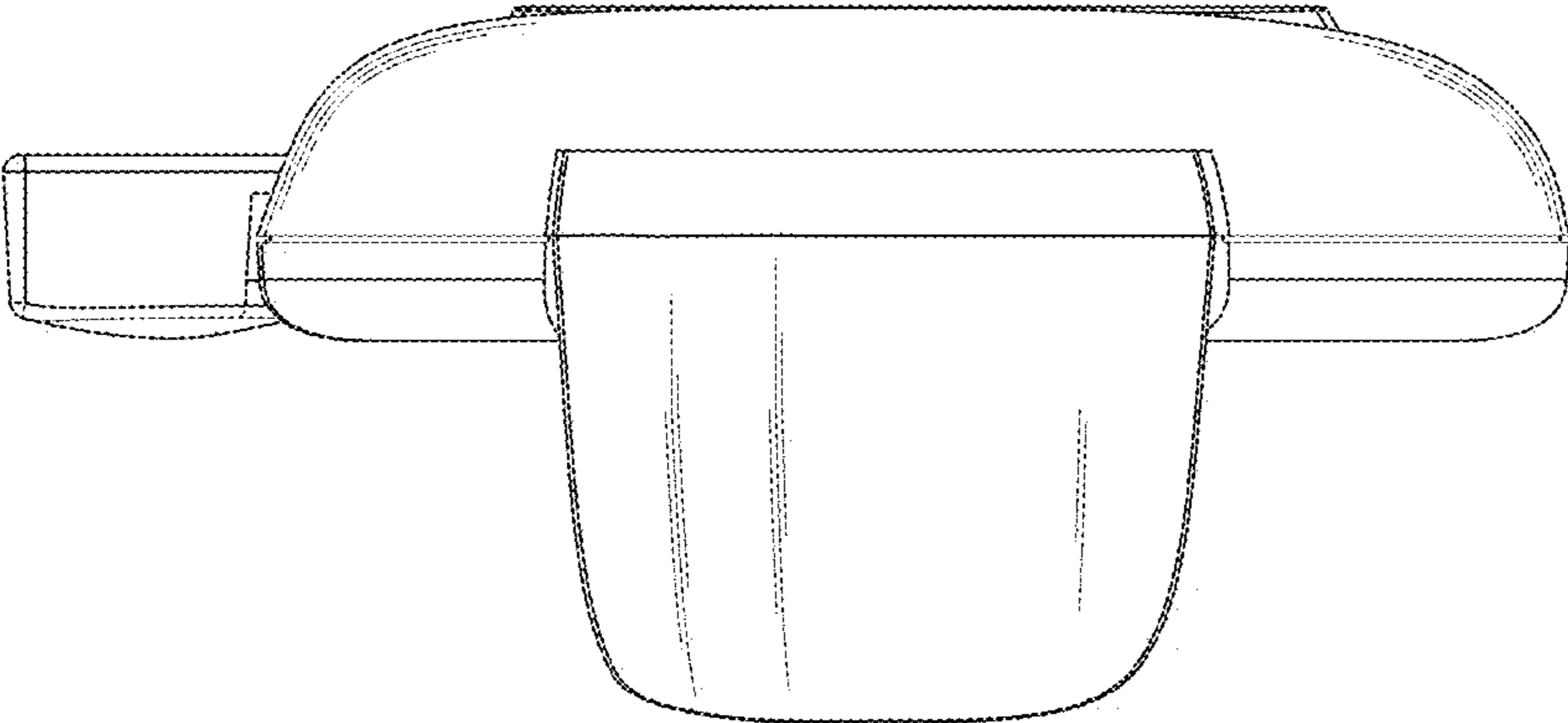


FIG. 5

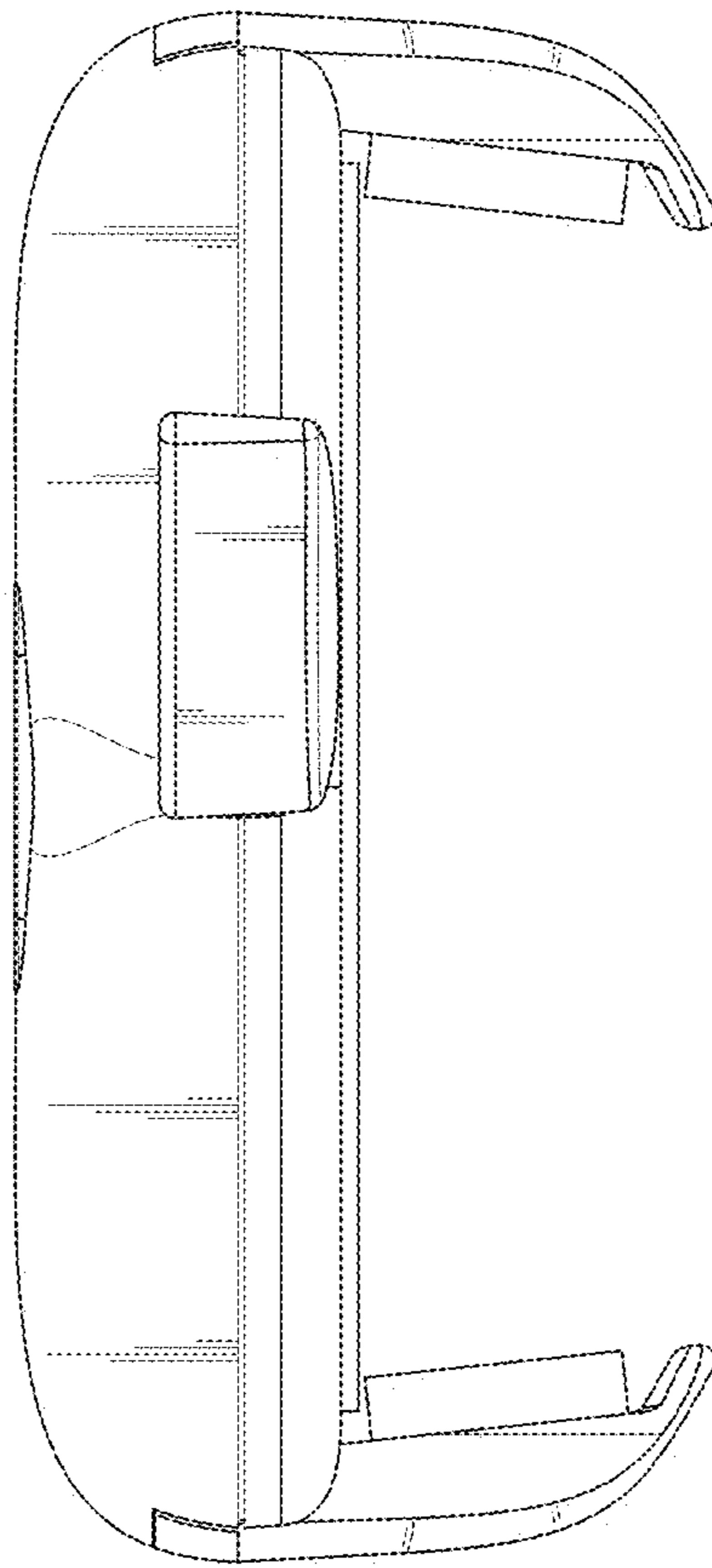


FIG. 6

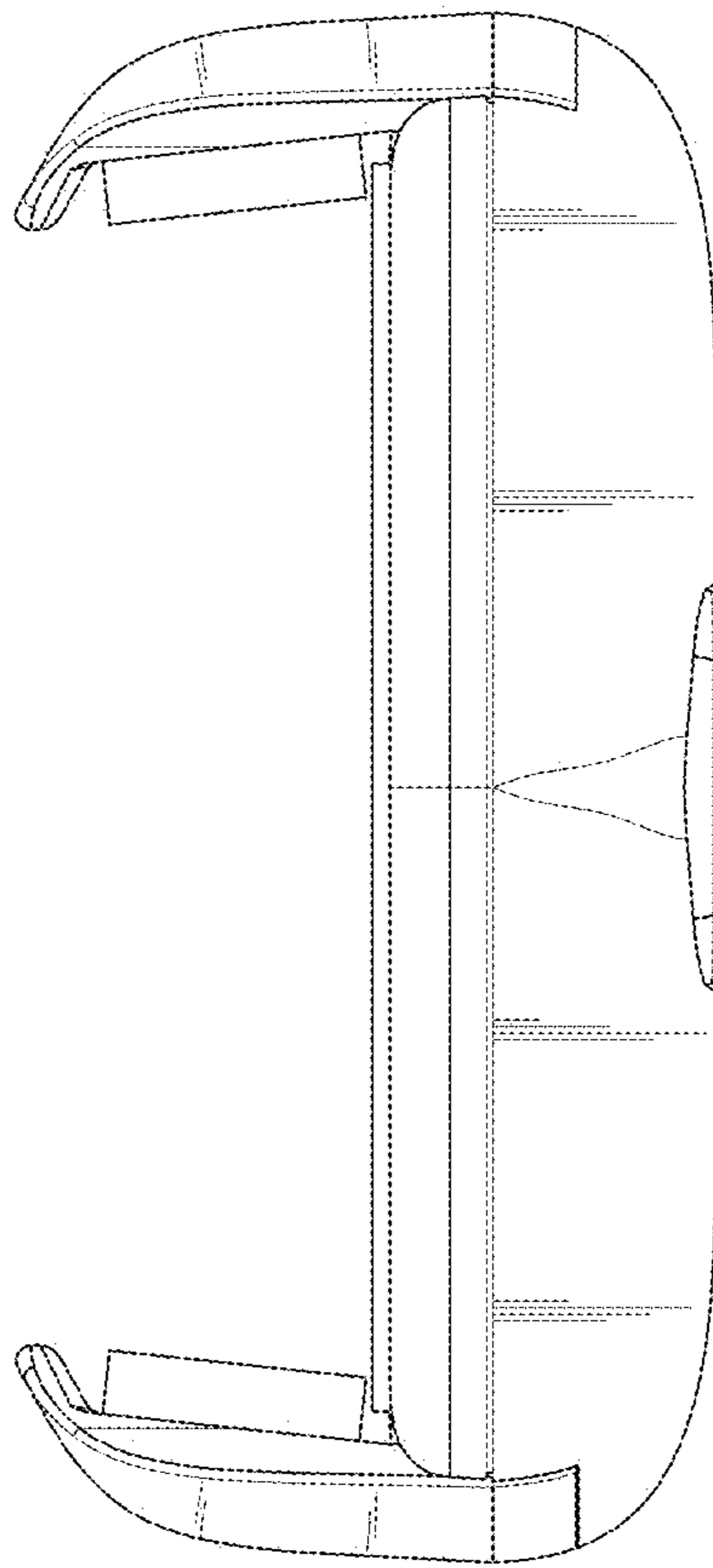


FIG. 7