



US00D740795S

(12) **United States Design Patent**
Chang et al.

(10) **Patent No.:** **US D740,795 S**
(45) **Date of Patent:** **** Oct. 13, 2015**

(54) **MOBILE PHONE**

(71) Applicant: **LG Electronics Inc.**, Seoul (KR)

(72) Inventors: **Heeju Chang**, Gyeonggi-do (KR);
Hyon Kim, Gyeonggi-do (KR);
Byeongwook Kim, Seoul (KR)

(73) Assignee: **LG Electronics Inc.**, Seoul (KR)

(**) Term: **14 Years**

(21) Appl. No.: **29/477,702**

(22) Filed: **Dec. 26, 2013**

(30) **Foreign Application Priority Data**

Jun. 28, 2013 (KR) 30-2013-0033532

(51) **LOC (10) Cl.** **14-03**

(52) **U.S. Cl.**
USPC **D14/248**

(58) **Field of Classification Search**

USPC D14/138 G, 138 AC, 138 AD, 138 R,
D14/203.1, 203.3, 203.5, 203.7, 218, 248,
D14/257, 250, 341, 441, 443, 496;
D21/517, 329, 331; D13/168; D10/65,
D10/78; 455/556.1, 556.2, 575.1, 575.3,
455/575.4, 566; 379/433.01, 433.04;
361/679.3, 679.56

CPC ... H04M 1/02; H04M 1/0202; H04M 1/0235;
H04M 1/0237; H04M 1/0239; H04M 2250/22;
H04M 1/03; H04M 1/72519

See application file for complete search history.

(56) **References Cited**

U.S. PATENT DOCUMENTS

D560,631 S * 1/2008 Sheu et al. D14/138 AA
D574,806 S * 8/2008 Lee et al. D14/138 AD
D579,902 S * 11/2008 Kim et al. D14/138 AD
D581,894 S * 12/2008 Kim D14/138 G
D590,822 S * 4/2009 Leith et al. D14/248

D593,057 S * 5/2009 Harju D14/138 AD
D599,338 S * 9/2009 Eguchi D14/248
D603,355 S * 11/2009 Tkachuk D14/138 AD
D606,506 S * 12/2009 Choi et al. D14/138 AD
D615,971 S * 5/2010 Chien et al. D14/341

(Continued)

OTHER PUBLICATIONS

LG G Stylo, announced Apr. 2015, [online], [site visited May 8, 2015]. Available from Internet, <URL: http://www.gsmarena.com/lg_g_stylo-7212.php>.*

(Continued)

Primary Examiner — Jeffrey D Asch

Assistant Examiner — Sanjeev Paul

(74) *Attorney, Agent, or Firm* — Morgan, Lewis & Bockius LLP

(57) **CLAIM**

The ornamental design for a mobile phone, as shown and described.

DESCRIPTION

FIG. 1 is a rear perspective view of a mobile phone showing our new design;

FIG. 2 is a front view thereof;

FIG. 3 is a rear view thereof;

FIG. 4 is a left side view thereof;

FIG. 5 is a right side view thereof;

FIG. 6 is a top plan view thereof;

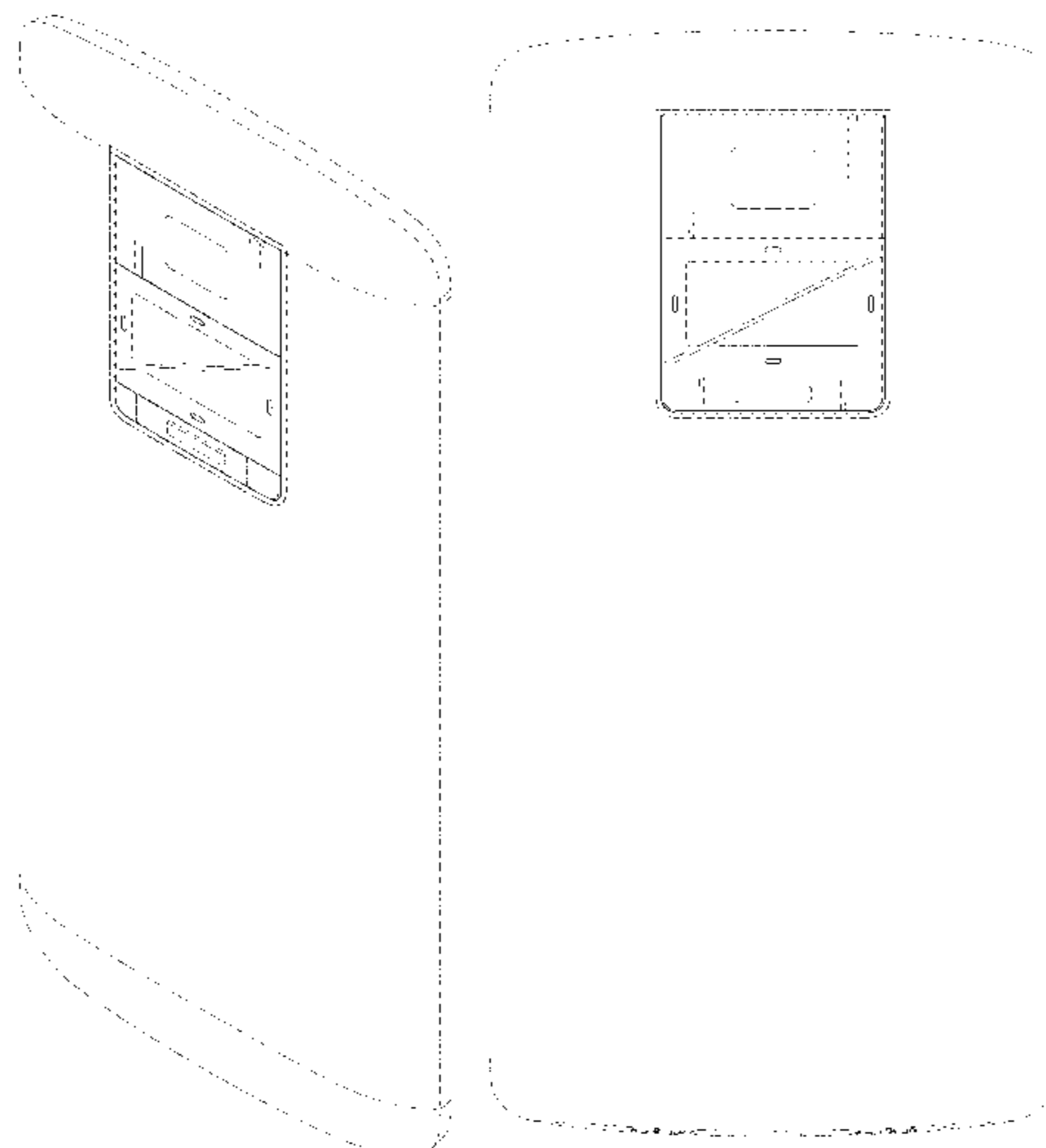
FIG. 7 is a bottom plan view thereof; and,

FIG. 8 is a front perspective view thereof.

The broken lines shown within the claimed design that are immediately adjacent to the shaded areas and define unshaded regions represent boundaries of the claim while all other broken lines are directed to environment; the broken lines form no part of the claimed design.

The dot-dash broken line surrounding the claimed design represents the outer boundary of the claimed design and forms no part thereof.

1 Claim, 7 Drawing Sheets



(56)

References Cited

U.S. PATENT DOCUMENTS

D622,255 S * 8/2010 Lee et al. D14/138 AB
D643,826 S * 8/2011 Tsai D14/138 AD
D661,289 S * 6/2012 Tattari D14/248
D668,628 S * 10/2012 Ha et al. D14/138 G
D687,401 S * 8/2013 Park D14/138 G
D714,273 S * 9/2014 Kim et al. D14/248
D715,282 S * 10/2014 Chang et al. D14/248
D723,498 S * 3/2015 Joung et al. D14/138 G
D724,571 S * 3/2015 Choi et al. D14/248

D725,069 S * 3/2015 Choe et al. D14/138 G
D725,641 S * 3/2015 Joung et al. D14/248
D728,506 S * 5/2015 Joung et al. D14/138 G

OTHER PUBLICATIONS

LG Nitro HD, announced Nov. 2011, [online], [site visited May 8, 2015]. Available from Internet, <URL: http://www.gsmarena.com/lg_nitro_hd-4329.php>.*
LG Optimus 2X, announced Dec. 2010, [online], [site visited May 8, 2015]. Available from Internet, <URL: http://www.gsmarena.com/lg_optimus_2x-3598.php>.*

* cited by examiner

FIG. 1

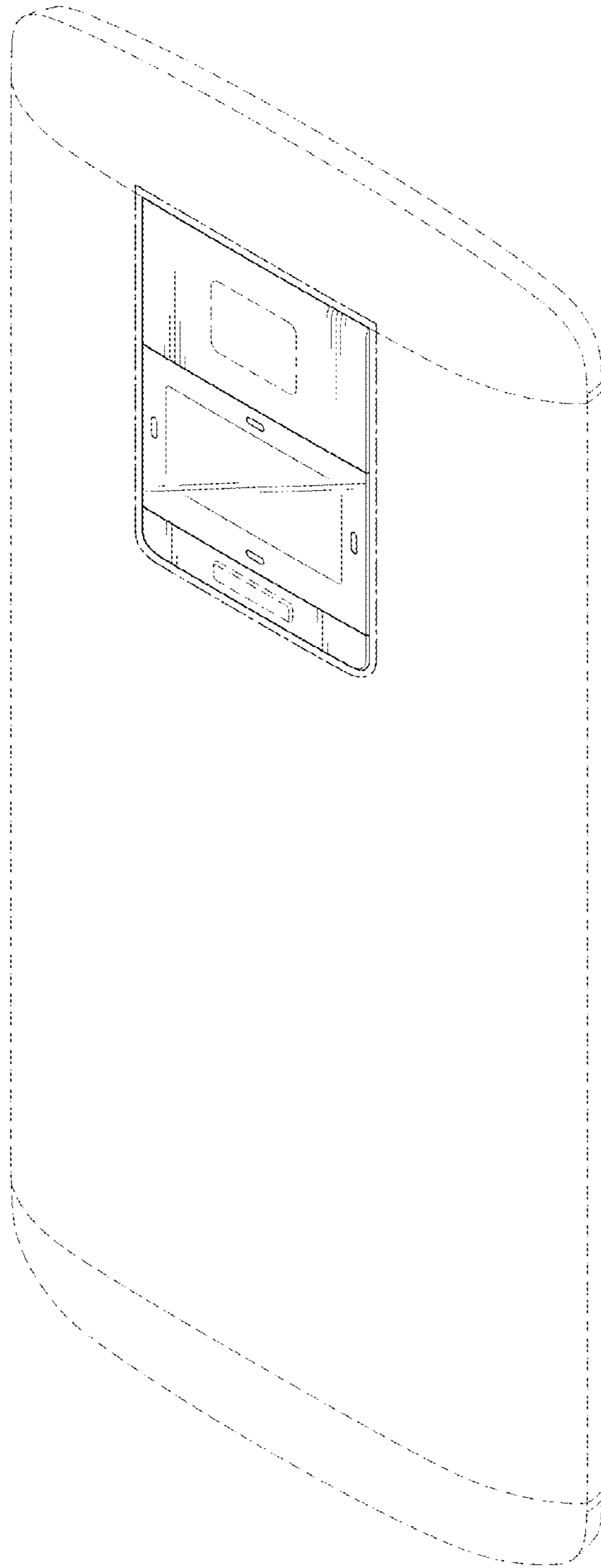


FIG. 2

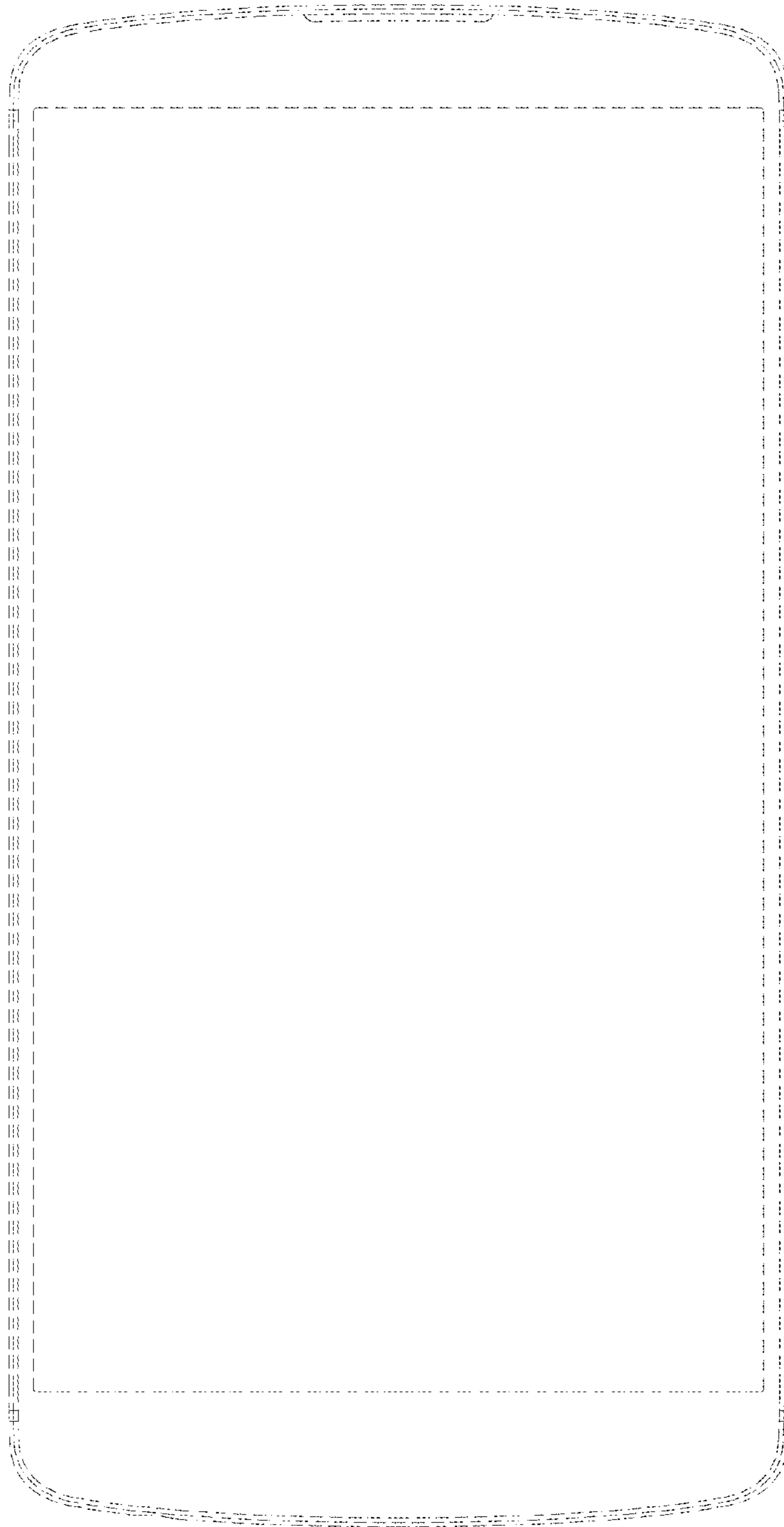


FIG. 3

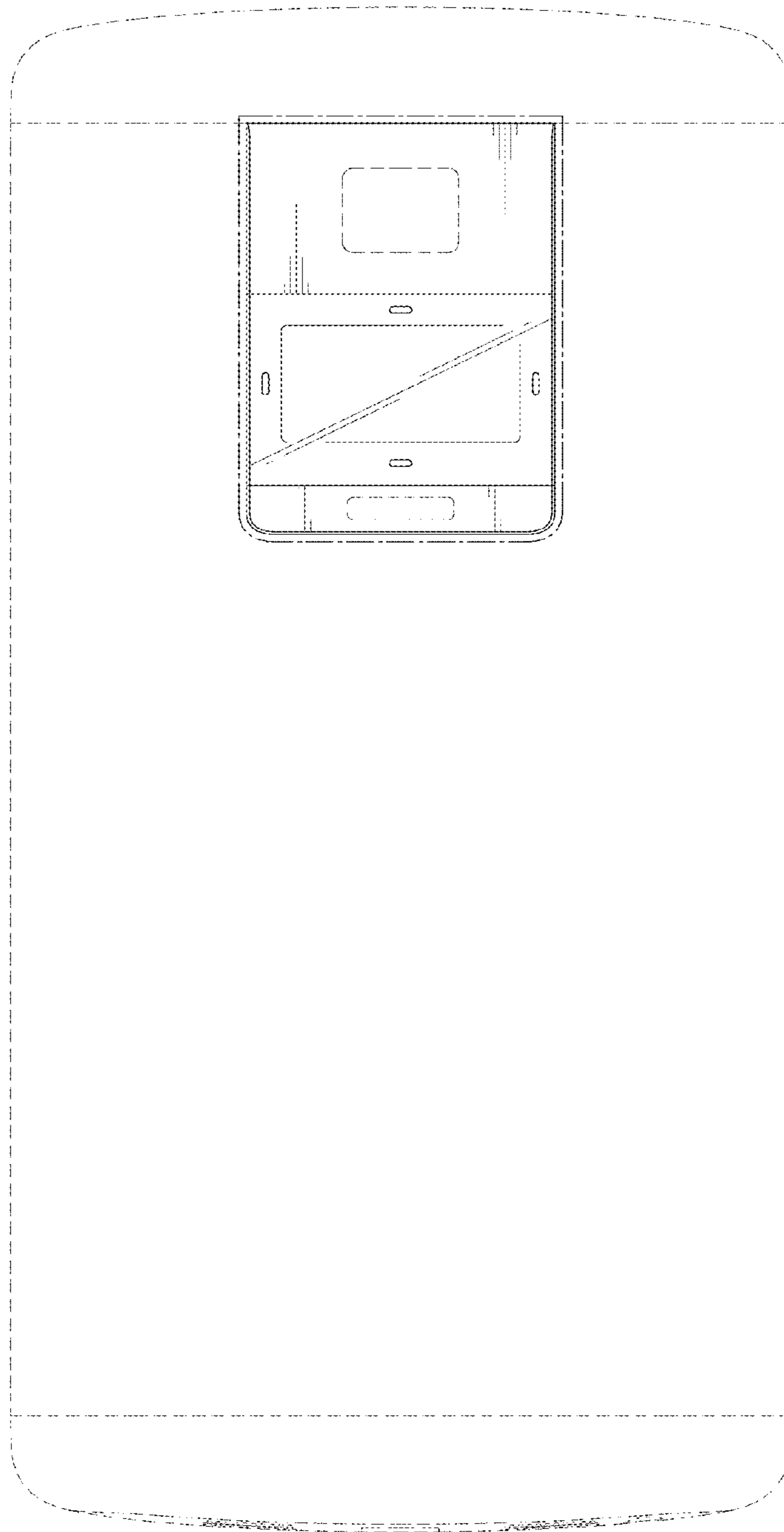


FIG. 4

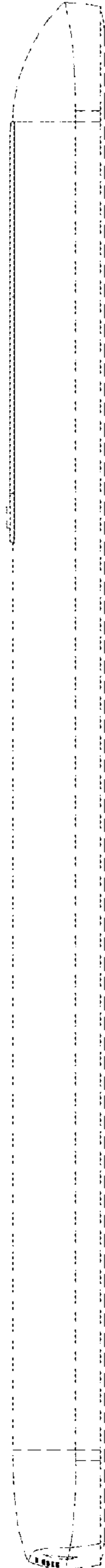


FIG. 5

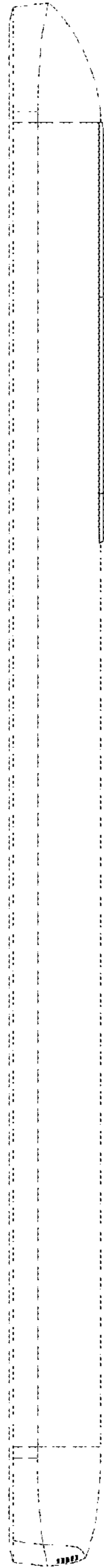


FIG. 6

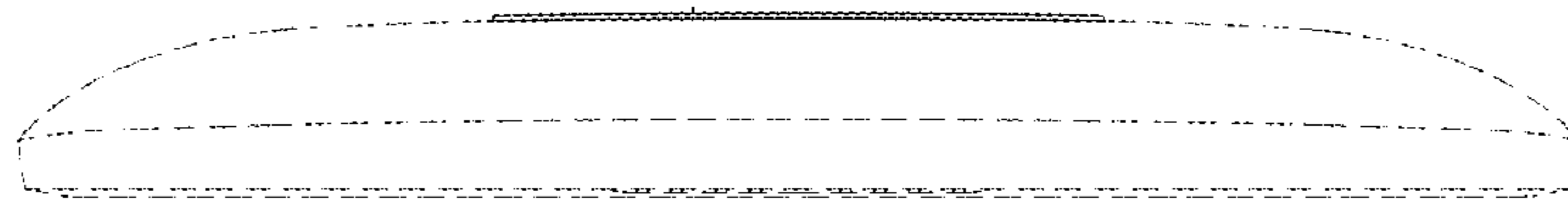


FIG. 7

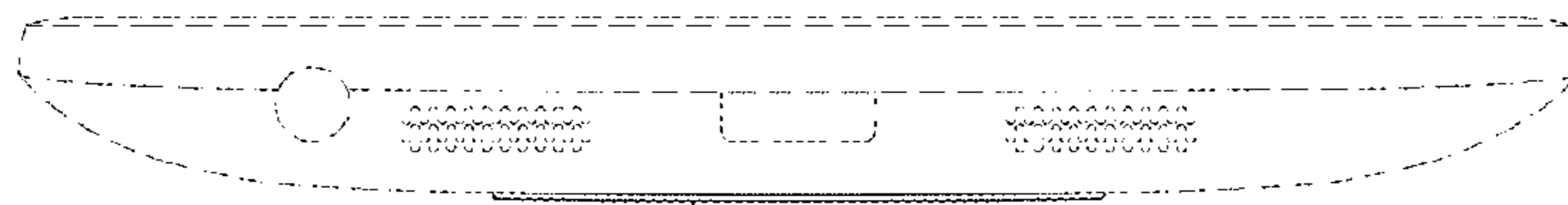


FIG. 8

