



US00D740793S

(12) **United States Design Patent**
Jobetto

(10) **Patent No.:** **US D740,793 S**
(45) **Date of Patent:** **** Oct. 13, 2015**

(54) **WIRELESS MICROPHONE**
(71) Applicant: **Panasonic Corporation**, Osaka (JP)
(72) Inventor: **Takeshi Jobetto**, Osaka (JP)
(73) Assignee: **Panasonic Intellectual Property Management Co., Ltd.**, Osaka (JP)

D572,230 S * 7/2008 Neu et al. D14/155
D576,612 S 9/2008 Wilson et al.
D607,440 S 1/2010 Yamakawa et al.
D619,125 S 7/2010 Kung
D622,685 S * 8/2010 Garra et al. D14/137
D626,952 S * 11/2010 Ding D14/242
D638,394 S * 5/2011 Richards et al. D14/155
D646,280 S * 10/2011 Yano D14/412
D714,266 S * 9/2014 Okamura et al. D14/225

(**) Term: **14 Years**
(21) Appl. No.: **29/502,529**
(22) Filed: **Sep. 17, 2014**

FOREIGN PATENT DOCUMENTS

KR 300399282.0000 * 11/2005

* cited by examiner

Primary Examiner — Susan Bennett Hattan

Assistant Examiner — Leanne Was

(74) *Attorney, Agent, or Firm* — Panasonic Patent Center

(30) **Foreign Application Priority Data**
Apr. 9, 2014 (JP) 2014-007750
(51) **LOC (10) Cl.** **14-01**
(52) **U.S. Cl.**
USPC **D14/225**
(58) **Field of Classification Search**
USPC D10/104.1, 106.1, 121; D13/168;
D14/137, 139, 154, 155, 158, 160, 162,
D14/163, 167, 168, 172, 185, 186, 188, 191,
D14/217, 218, 225, 226, 228, 356, 358;
D16/238; 455/350, 351
See application file for complete search history.

(57) **CLAIM**

I claim the ornamental design for a wireless microphone, as shown and described.

DESCRIPTION

FIG. 1 is a front perspective view of a wireless microphone of the present invention;
FIG. 2 is a rear perspective view thereof;
FIG. 3 is a front view thereof;
FIG. 4 is a rear view thereof;
FIG. 5 is a left side view thereof;
FIG. 6 is a right side view thereof;
FIG. 7 is a top view thereof; and,
FIG. 8 is a bottom view thereof.
The broken lines depict portions of the wireless microphone that form no part of the claimed design.

(56) **References Cited**
U.S. PATENT DOCUMENTS
D496,638 S * 9/2004 Deubler, Jr. D14/138 R
D496,639 S * 9/2004 Deubler, Jr. D14/138 R
D525,962 S * 8/2006 Elson D14/149

1 Claim, 8 Drawing Sheets

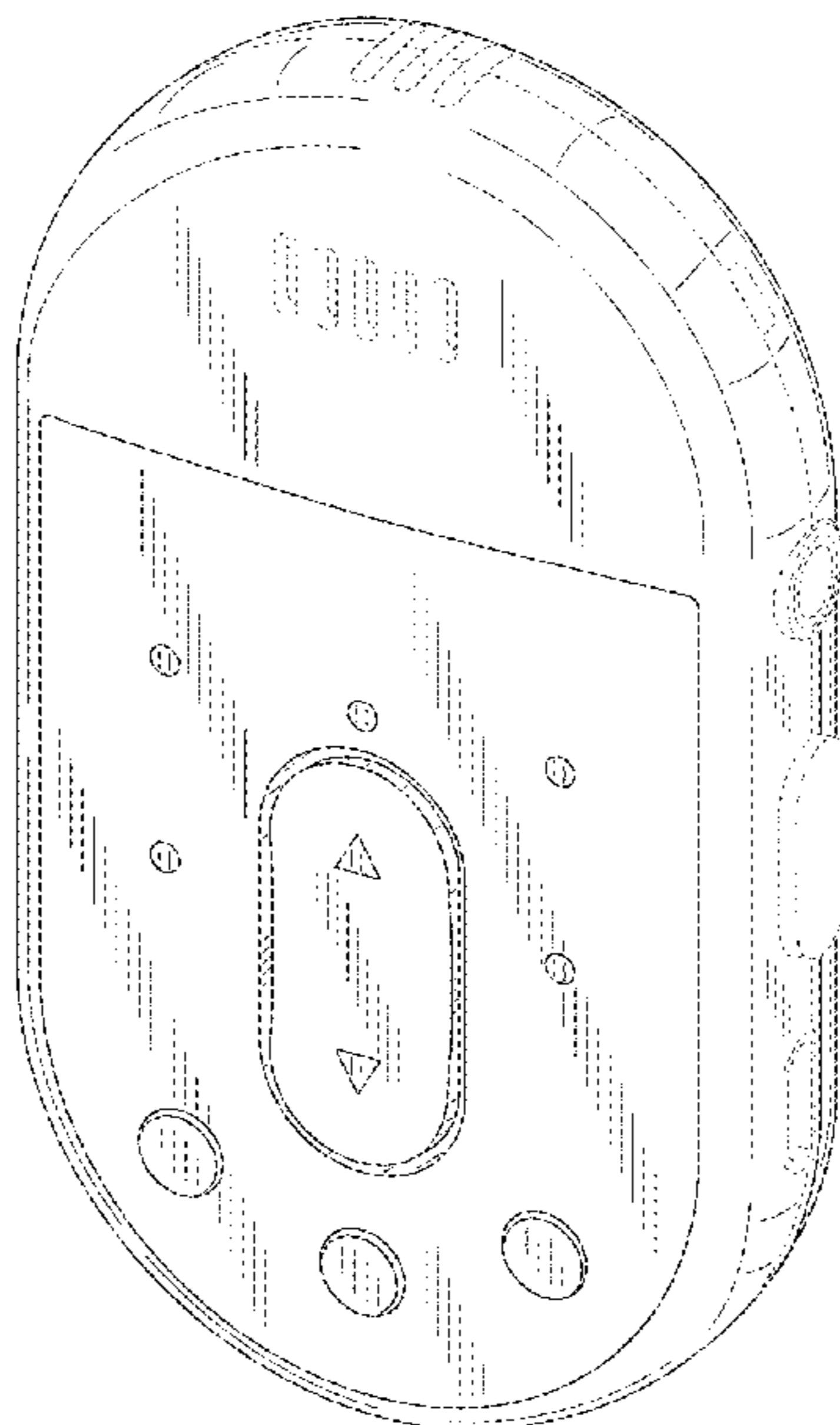


FIG. 1

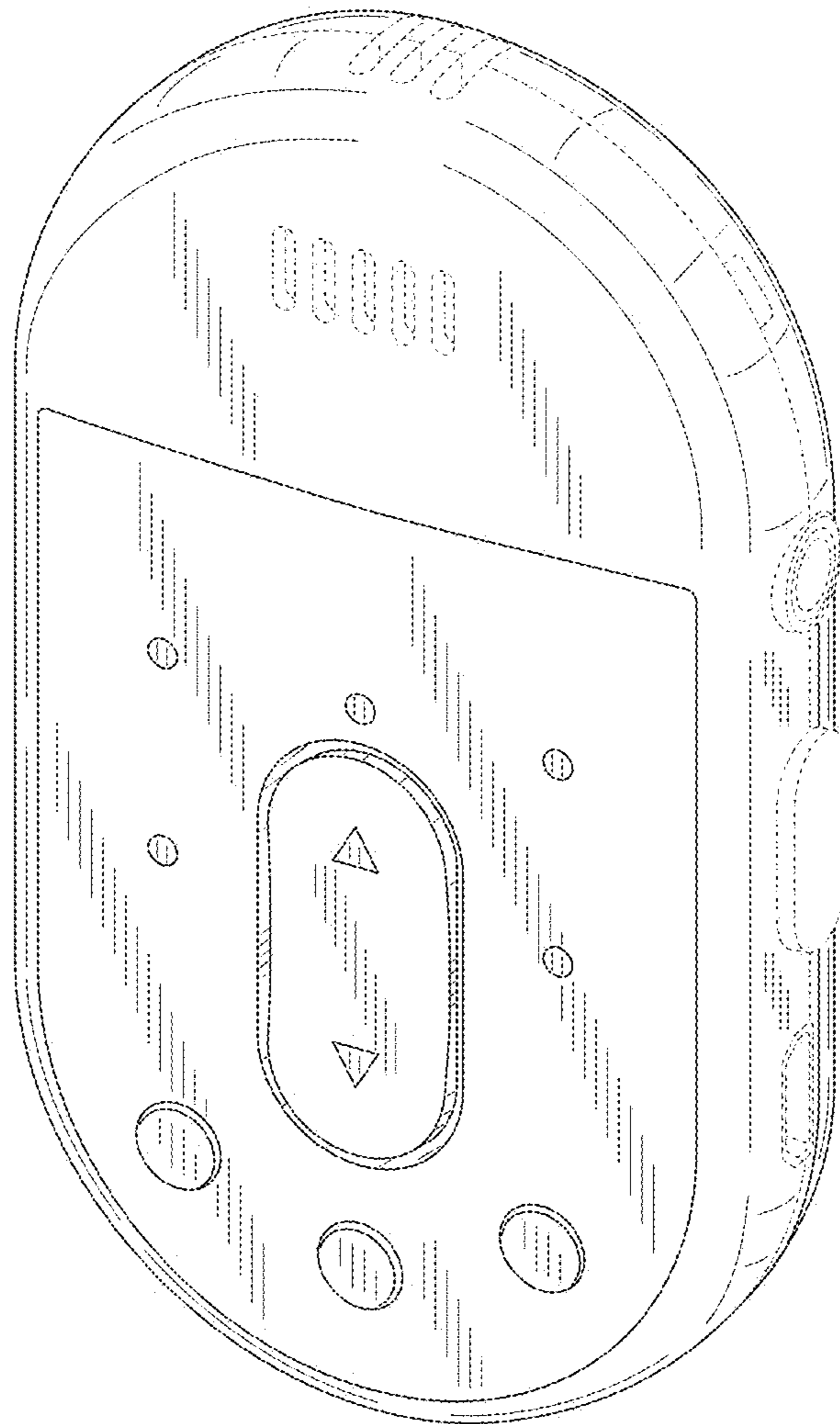


FIG. 2

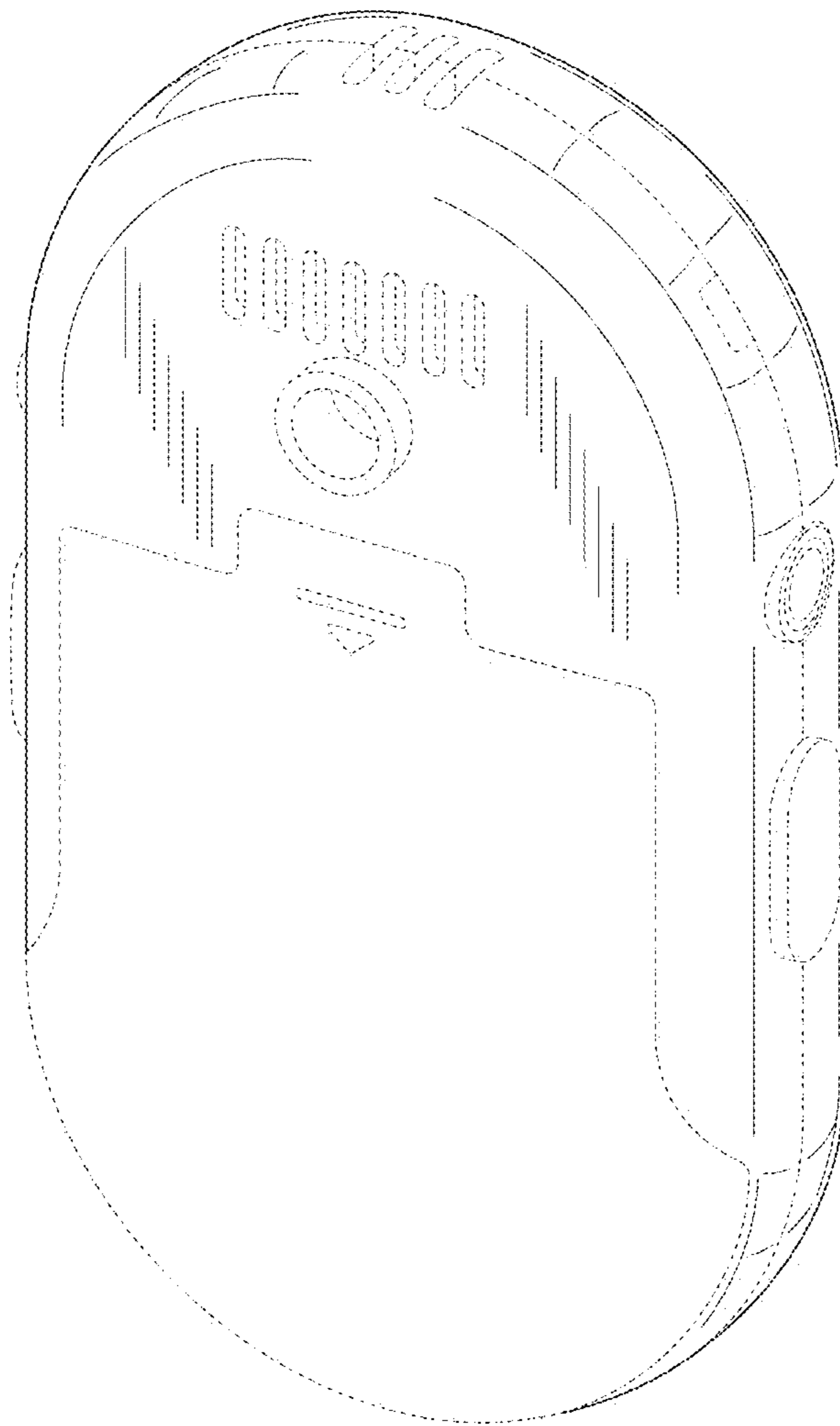


FIG. 3

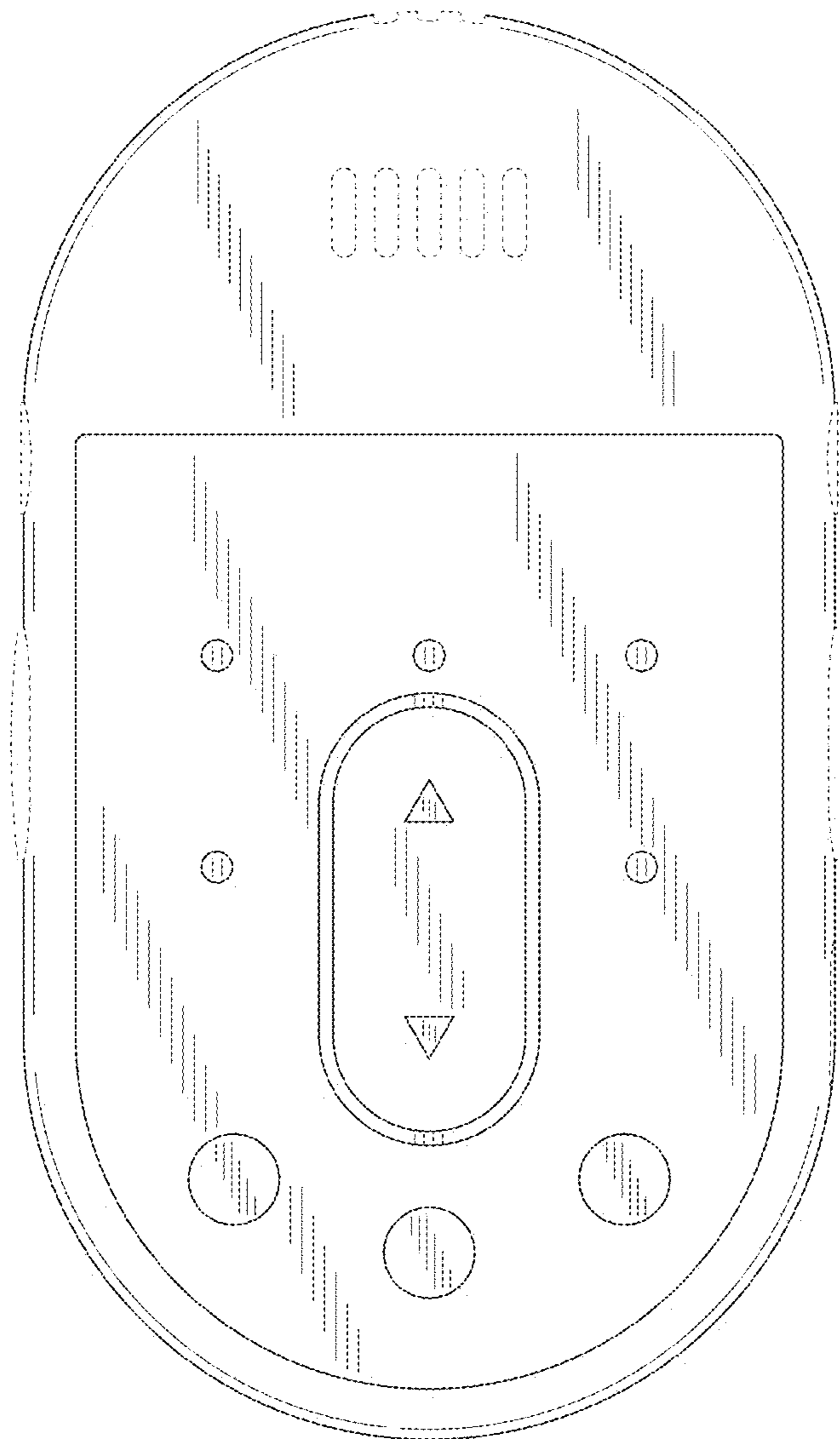


FIG. 4

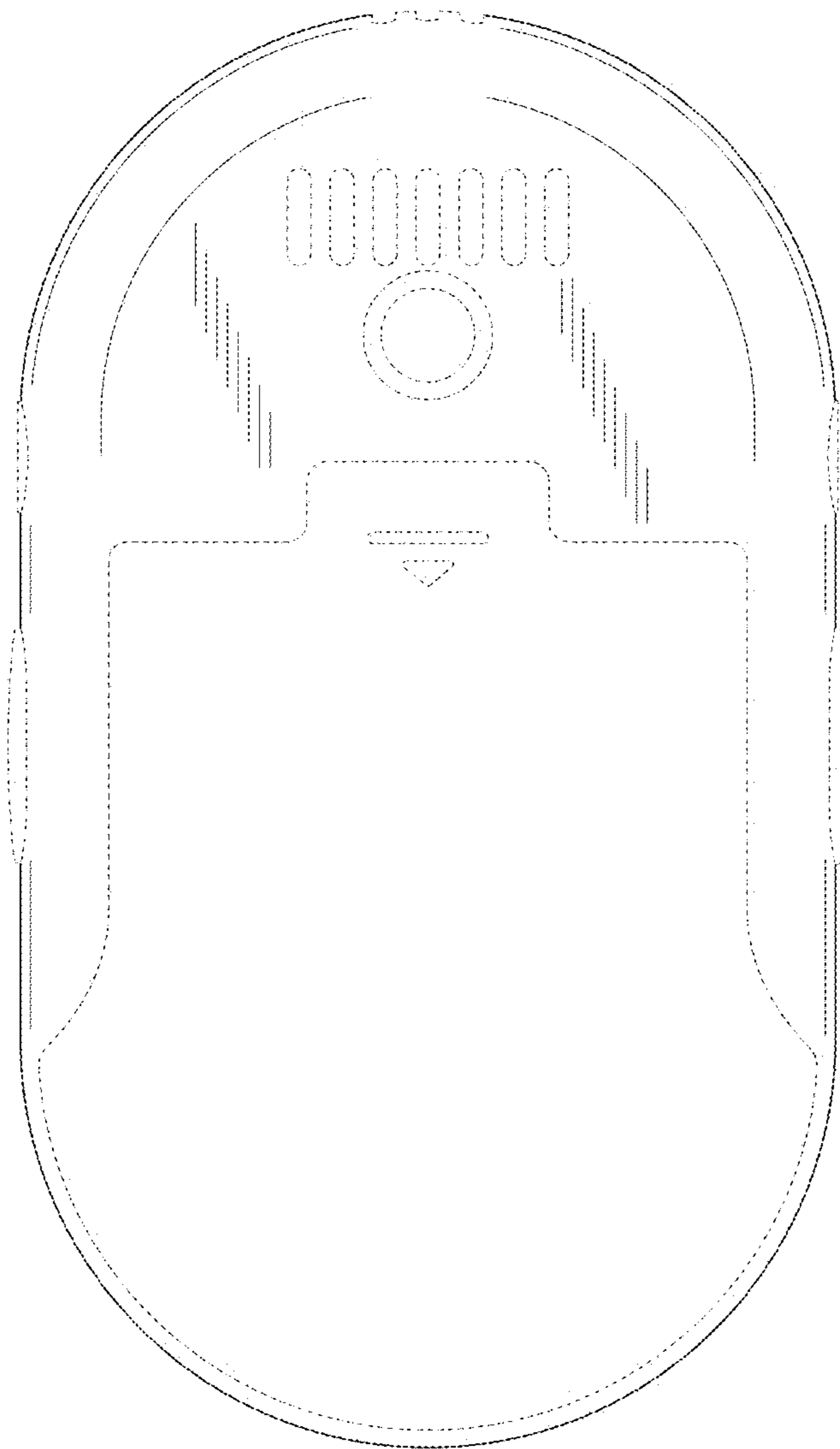


FIG. 5

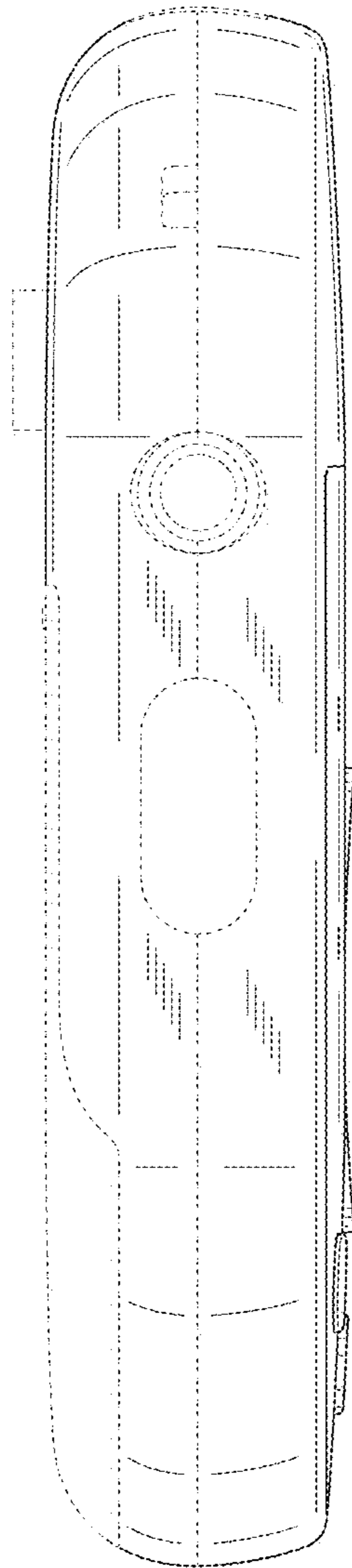


FIG. 6

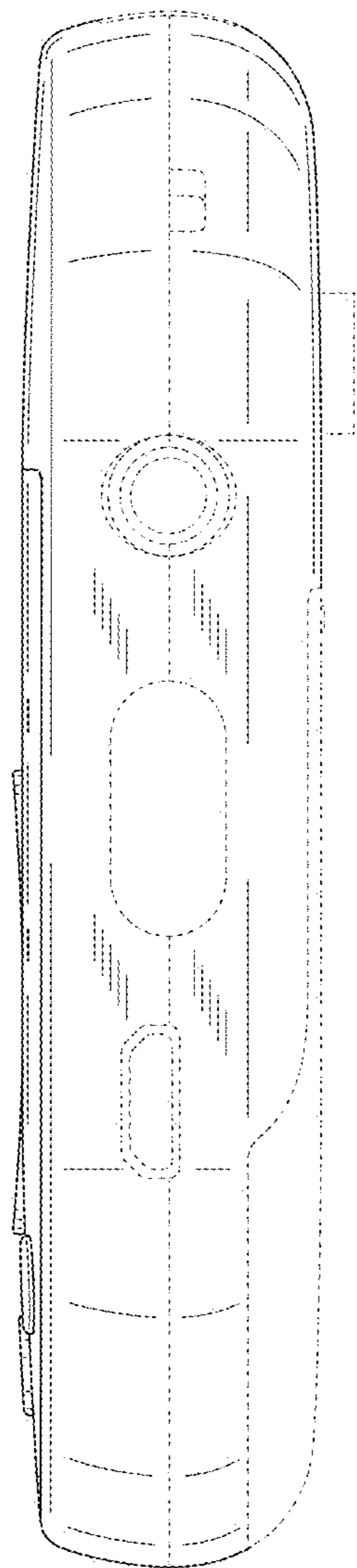


FIG. 7

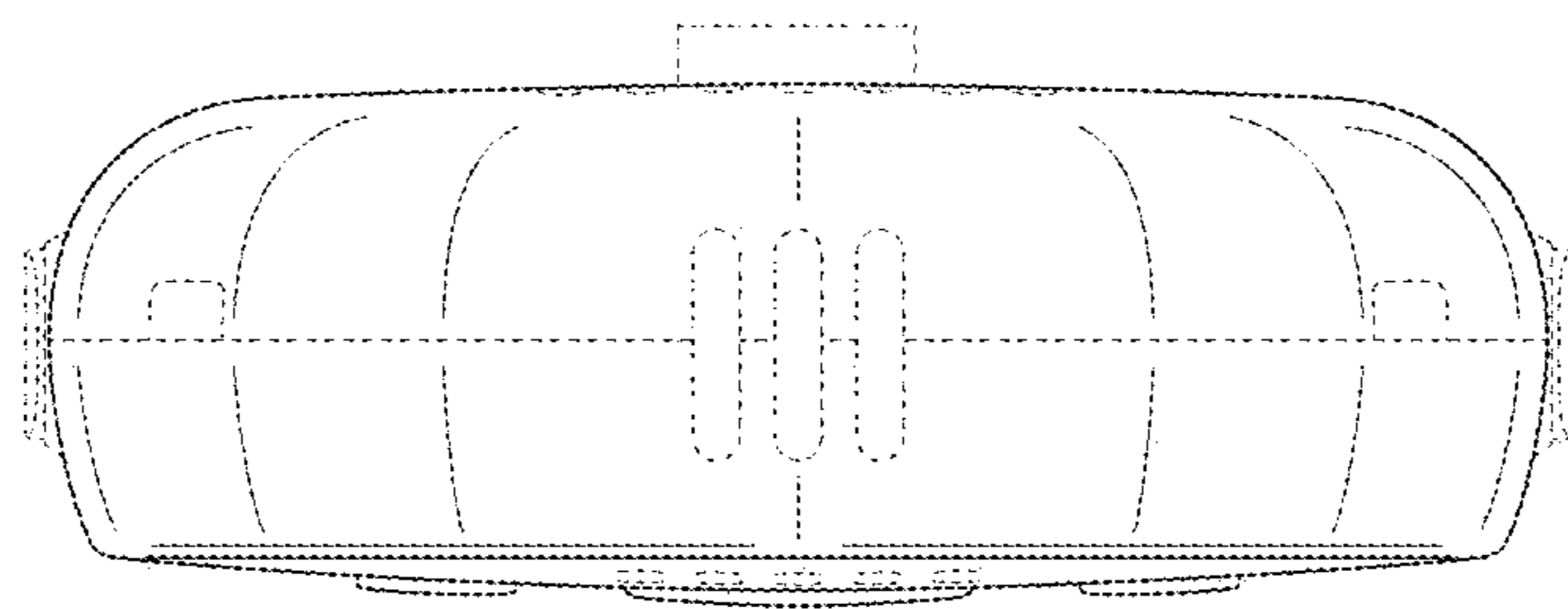


FIG. 8

