



US00D740792S

(12) **United States Design Patent**
Jobetto et al.

(10) **Patent No.:** **US D740,792 S**
(45) **Date of Patent:** **** Oct. 13, 2015**

(54) **WIRELESS MICROPHONE**

D557,691 S * 12/2007 Lee D14/228
D584,721 S * 1/2009 Okazaki et al. D14/228
D598,011 S 8/2009 Thusbass
D607,441 S * 1/2010 Yamakawa D14/225

(71) Applicant: **Panasonic Corporation**, Osaka (JP)

(72) Inventors: **Takeshi Jobetto**, Osaka (JP); **Toshihiro Nakashima**, Osaka (JP)

(73) Assignee: **Panasonic Intellectual Property Management Co., Ltd.**, Osaka (JP)

(**) Term: **14 Years**

(21) Appl. No.: **29/502,528**

(22) Filed: **Sep. 17, 2014**

(30) **Foreign Application Priority Data**

Apr. 9, 2014 (JP) 2014-007751

(51) **LOC (10) Cl.** **14-01**

(52) **U.S. Cl.**
USPC **D14/225**

(58) **Field of Classification Search**
USPC D14/189, 225-229, 496, 497; D17/99;
181/158, 242; 381/111, 355, 361
See application file for complete search history.

(56) **References Cited**

U.S. PATENT DOCUMENTS

D444,782 S 7/2001 Chung
D495,319 S * 8/2004 Lee D14/497
D530,705 S * 10/2006 Shen D14/225
D538,272 S * 3/2007 Lee D14/228

FOREIGN PATENT DOCUMENTS

JP D1373599 * 11/2009

OTHER PUBLICATIONS

<http://web.archive.org/web/20090908041309/http://panasonic.net/pss/irw/handheld.html> Sep. 2009.*

* cited by examiner

Primary Examiner — Susan Bennett Hattan

Assistant Examiner — Leanne Was

(74) *Attorney, Agent, or Firm* — Panasonic Patent Center

(57) **CLAIM**

The ornamental design for a wireless microphone, as shown and described.

DESCRIPTION

FIG. 1 is a front perspective view of a wireless microphone of the present invention;

FIG. 2 is a rear perspective view thereof;

FIG. 3 is a front view thereof;

FIG. 4 is a rear view thereof;

FIG. 5 is a left side view thereof;

FIG. 6 is a right side view thereof;

FIG. 7 is a top view thereof; and,

FIG. 8 is a bottom view thereof.

The broken lines depict portions of the wireless microphone that form no part of the claimed design.

1 Claim, 8 Drawing Sheets

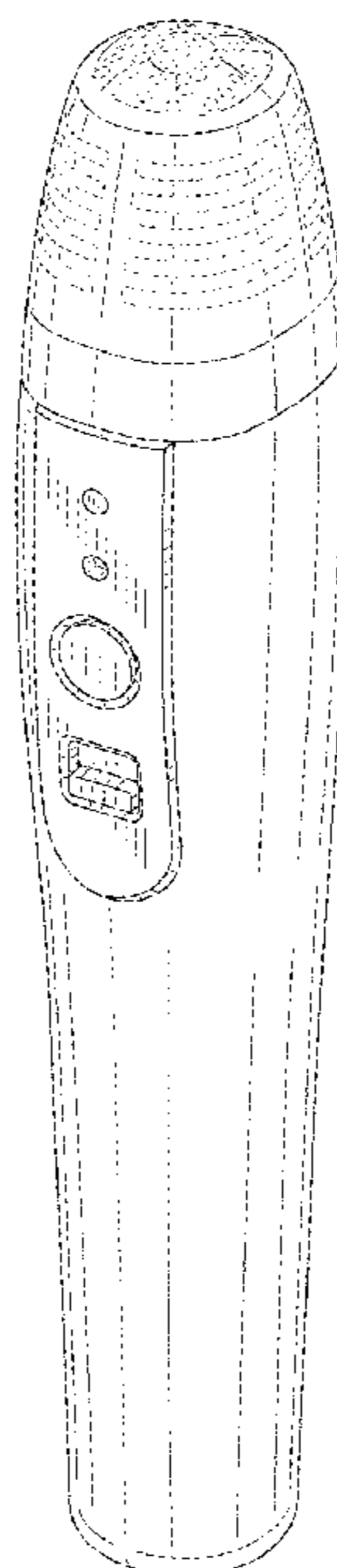


FIG. 1

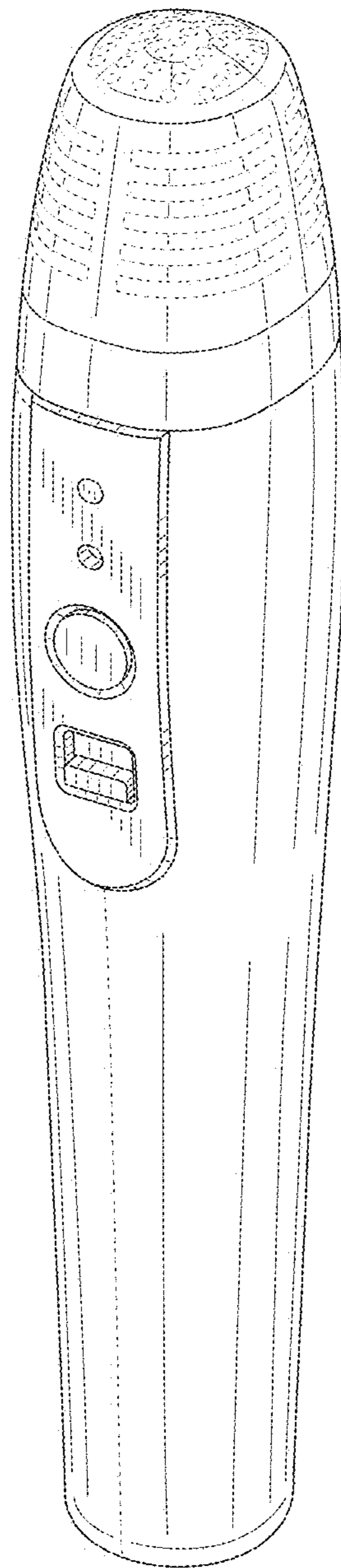


FIG. 2

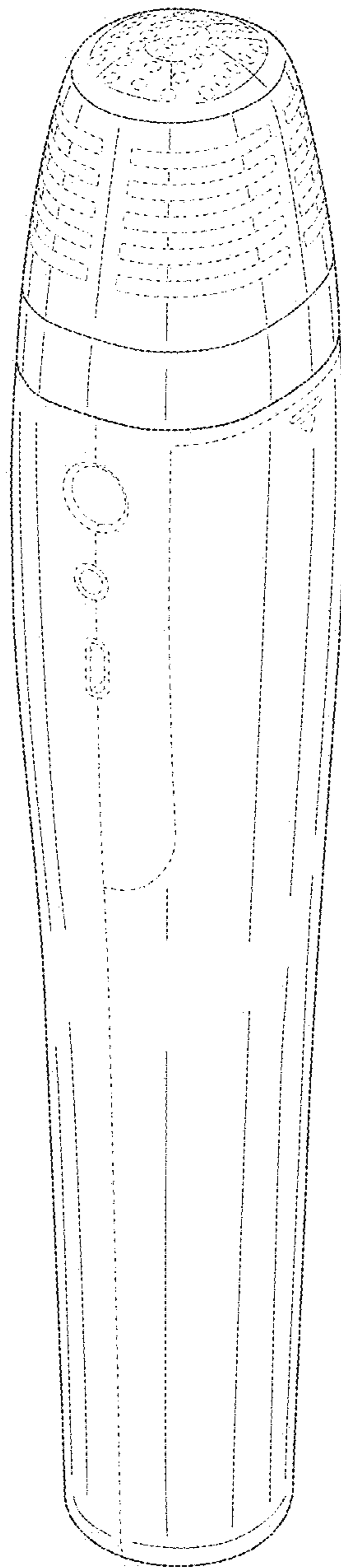


FIG. 3

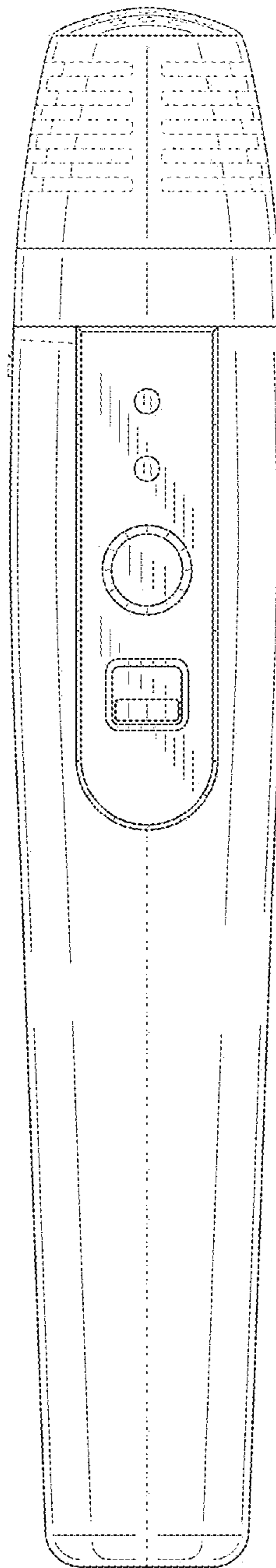


FIG. 4

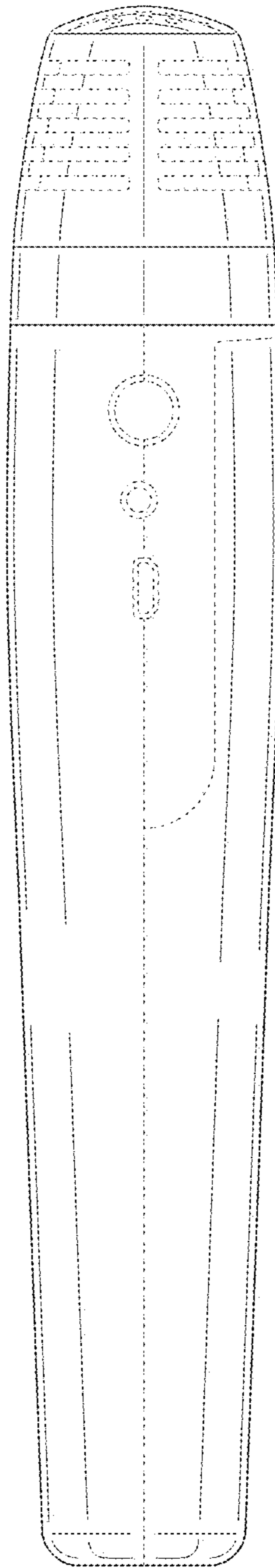


FIG. 5

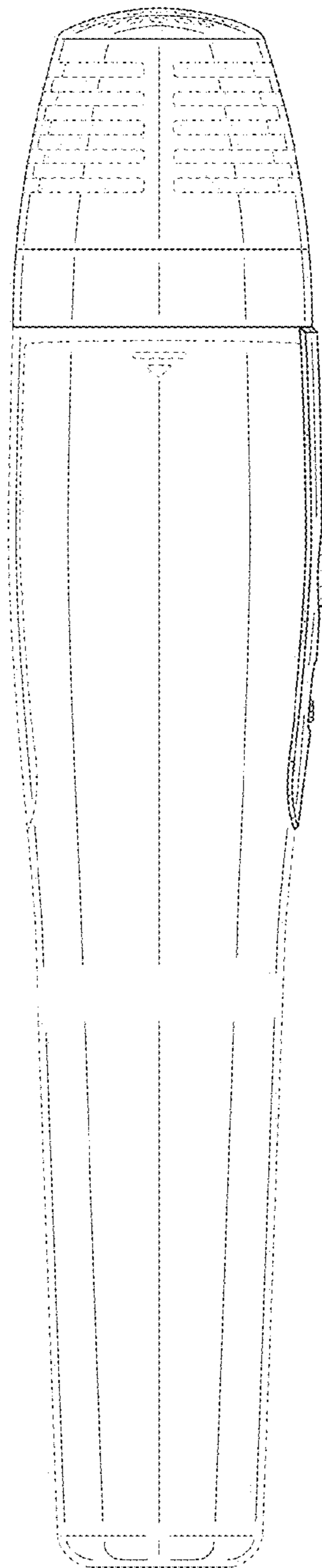


FIG. 6

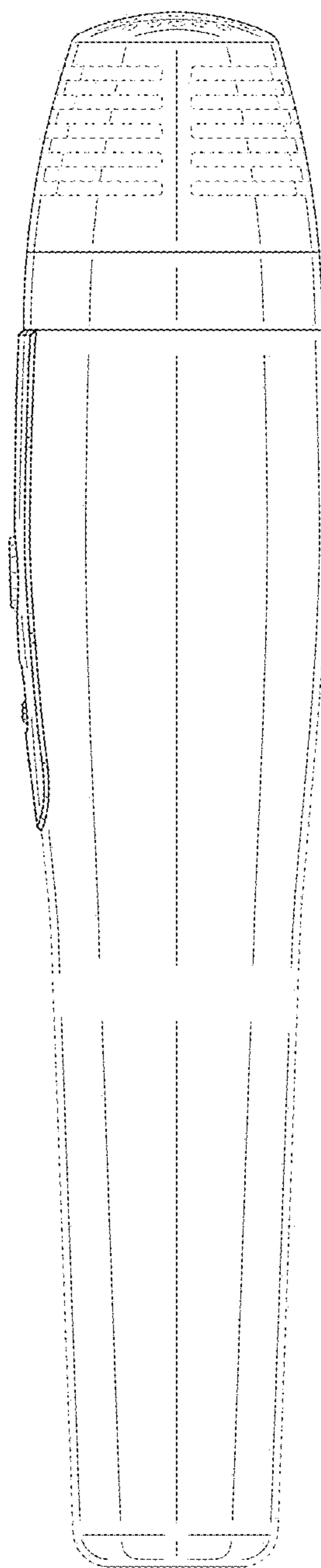


FIG. 7

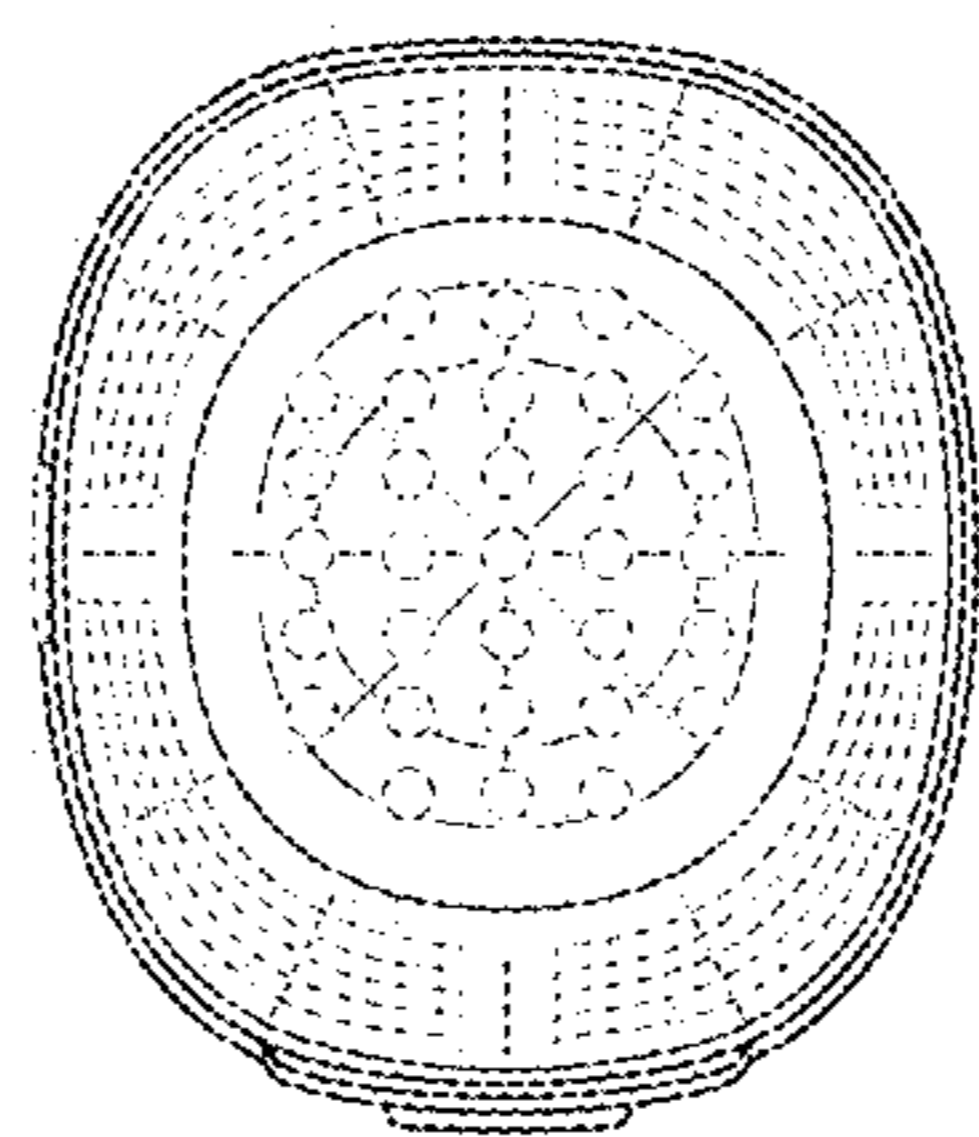


FIG. 8

