



US00D740791S

(12) **United States Design Patent**
Fujioka

(10) **Patent No.:** **US D740,791 S**
(45) **Date of Patent:** **** Oct. 13, 2015**

- (54) **SILICONE SPEAKER MOUNTING ACCESSORY**
- (71) Applicant: **Robb Fujioka**, Manhattan Beach, CA (US)
- (72) Inventor: **Robb Fujioka**, Manhattan Beach, CA (US)
- (73) Assignee: **Fuhu, Inc.**, El Segundo, CA (US)
- (**) Term: **14 Years**
- (21) Appl. No.: **29/488,474**
- (22) Filed: **Apr. 18, 2014**
- (51) **LOC (10) Cl.** **14-01**
- (52) **U.S. Cl.**
USPC **D14/224**
- (58) **Field of Classification Search**
USPC D14/224, 214, 225-229, 207, 209.1;
181/151, 144; 330/272; 381/349;
248/188.2, 188.9; D12/217; 114/381,
114/191; D21/396, 385, 386, 484, 505;
D3/5, 7, 10; 135/84, 86; D8/402;
446/124; 182/110
CPC H04R 1/02; H04R 25/00
See application file for complete search history.

(56) **References Cited**

U.S. PATENT DOCUMENTS

755,713	A *	3/1904	Shanahan	182/110
1,252,051	A *	1/1918	Stone	206/277
1,655,611	A *	1/1928	Jensen	248/188.5
D180,746	S *	8/1957	Oslac	D14/224
3,281,997	A *	11/1966	Leonard	52/57
3,547,221	A *	12/1970	Hedberg	381/349
D223,771	S *	6/1972	Roney	D12/217
D257,123	S *	9/1980	Farmer, Jr.	D8/402
D257,346	S *	10/1980	Garrigus et al.	D14/228
D272,282	S *	1/1984	Roth	D25/2
D278,811	S *	5/1985	White et al.	D14/211
D286,149	S *	10/1986	Tucker	D14/224

D290,006	S *	5/1987	Frost et al.	D14/243
D296,446	S *	6/1988	Jowitt	D17/22
4,872,527	A *	10/1989	Han	181/160
5,040,721	A *	8/1991	Essack	229/112
D324,388	S *	3/1992	Pulio et al.	D14/215
5,340,075	A *	8/1994	Schriner	248/346.01
5,345,631	A *	9/1994	Saperstein et al.	5/509.1
D352,744	S *	11/1994	Ryaa et al.	D21/498
5,615,429	A *	4/1997	Williams	5/509.1
D384,354	S *	9/1997	Weissberg et al.	D14/214
5,937,074	A *	8/1999	Carver	381/395
D417,668	S *	12/1999	Tanaka	D14/214
6,015,025	A *	1/2000	McGrath et al.	181/199
D433,013	S *	10/2000	Yuyama et al.	D14/227
6,324,292	B1 *	11/2001	Mitsuhashi et al.	381/349
D476,976	S *	7/2003	Tanabe	D14/225
D491,918	S *	6/2004	Solland	D14/207
D508,042	S *	8/2005	Oikawa	D14/214
D518,478	S *	4/2006	Song	D14/225
D523,002	S *	6/2006	Song	D14/225
D525,616	S *	7/2006	Andre et al.	D14/224.1
D568,289	S *	5/2008	Solland	D14/204
D568,869	S *	5/2008	Anthony et al.	D14/214
D568,870	S *	5/2008	Anthony et al.	D14/214
D596,624	S *	7/2009	Hong et al.	D14/223
D607,427	S *	1/2010	Ho et al.	D14/138 AD
D615,940	S *	5/2010	Kim et al.	D14/138 AA

(Continued)

Primary Examiner — Paula Greene

(74) *Attorney, Agent, or Firm* — Steptoe & Johnson LLP

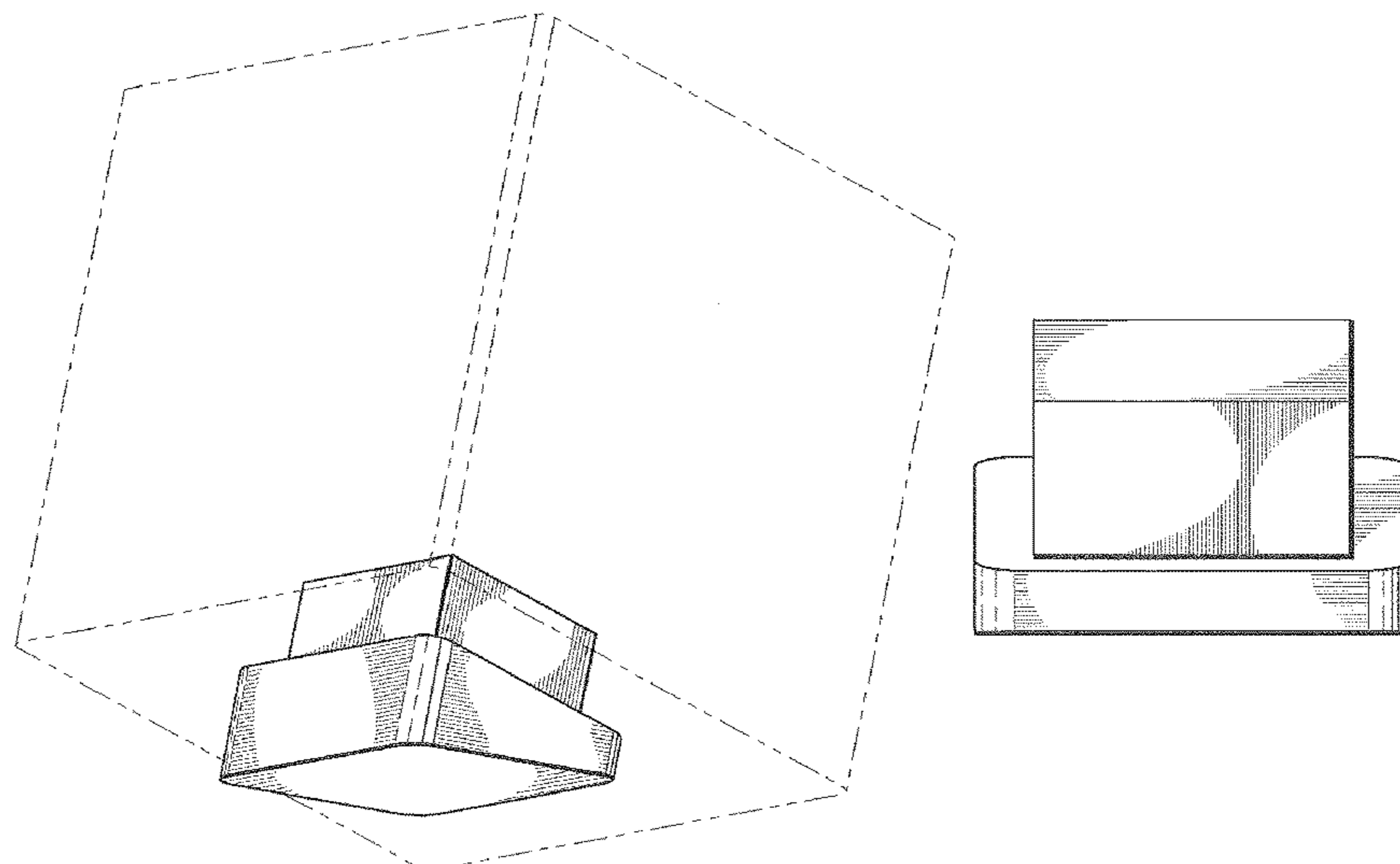
(57) **CLAIM**

The ornamental design for an silicone speaker mounting accessory, as shown and described.

DESCRIPTION

FIG. 1 is a bottom, front, right side perspective view;
FIG. 2 is a front elevation view;
FIG. 3 is a rear elevation view;
FIG. 4 is a left side elevation view, the right side elevation view being a mirror image;
FIG. 5 is a top plan view; and,
FIG. 6 is a bottom plan view.

1 Claim, 2 Drawing Sheets



US D740,791 S

Page 2

(56)

References Cited

U.S. PATENT DOCUMENTS

D629,794 S * 12/2010 Aarrestad D14/225
D631,037 S * 1/2011 Park et al. D14/223
D652,020 S * 1/2012 Behar et al. D14/214

D678,244 S * 3/2013 Behar et al. D14/214
D695,710 S * 12/2013 Szymanski et al. D14/214
D698,758 S * 2/2014 Behar et al. D14/219
D714,296 S * 9/2014 Fujioka D14/440
D717,272 S * 11/2014 Kim et al. D14/204

* cited by examiner

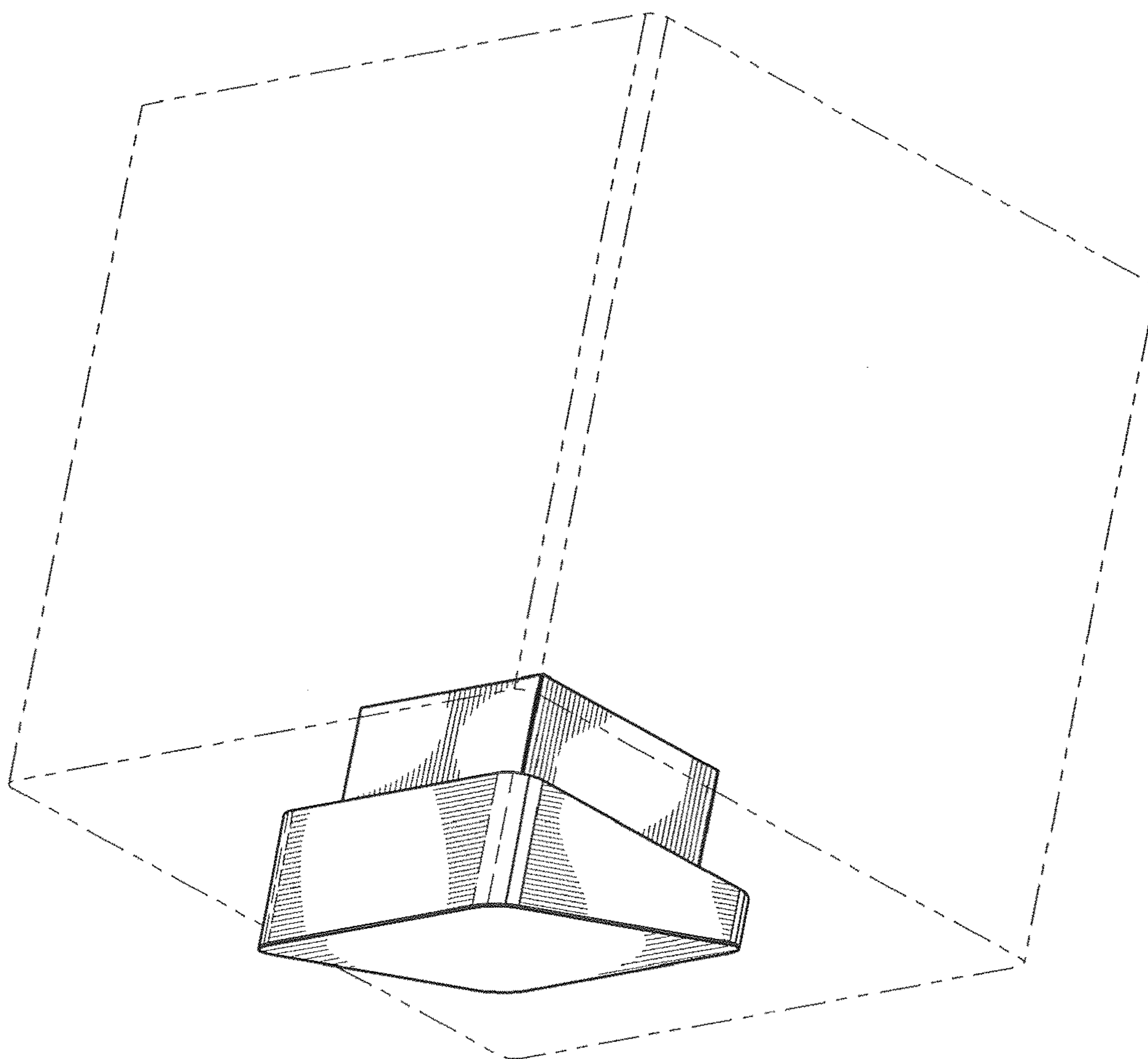
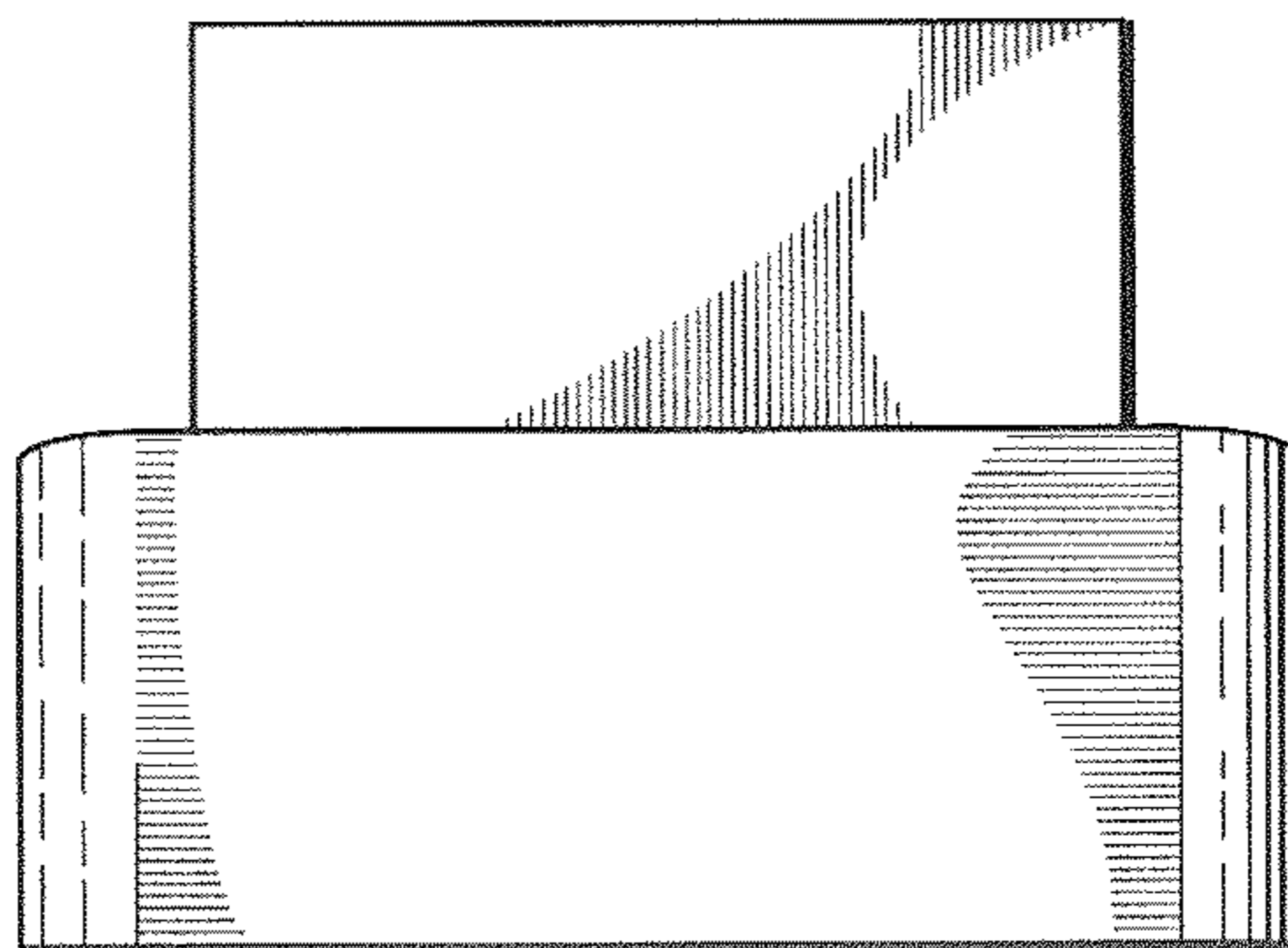


FIG. 1

FIG. 2



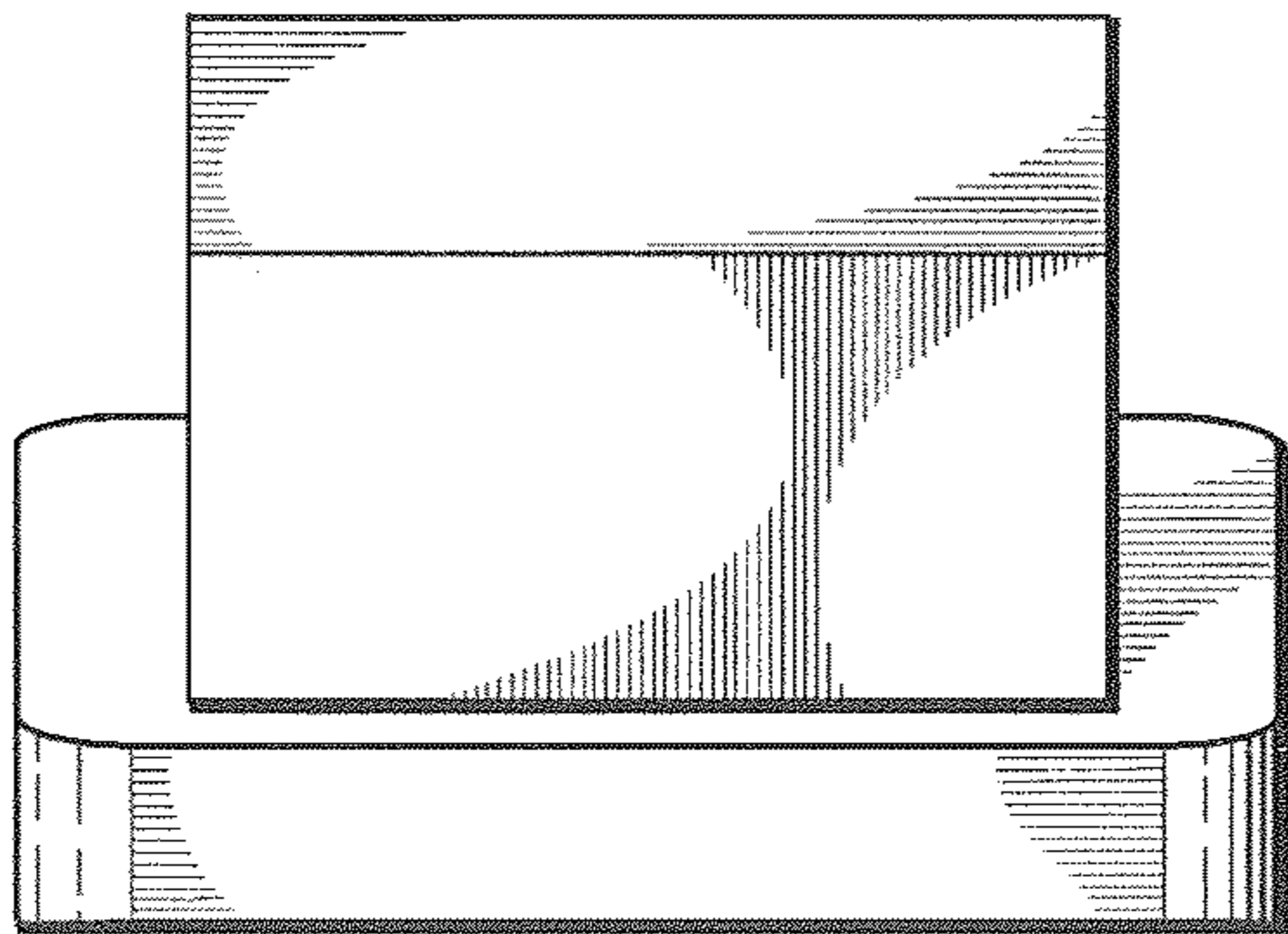


FIG. 3

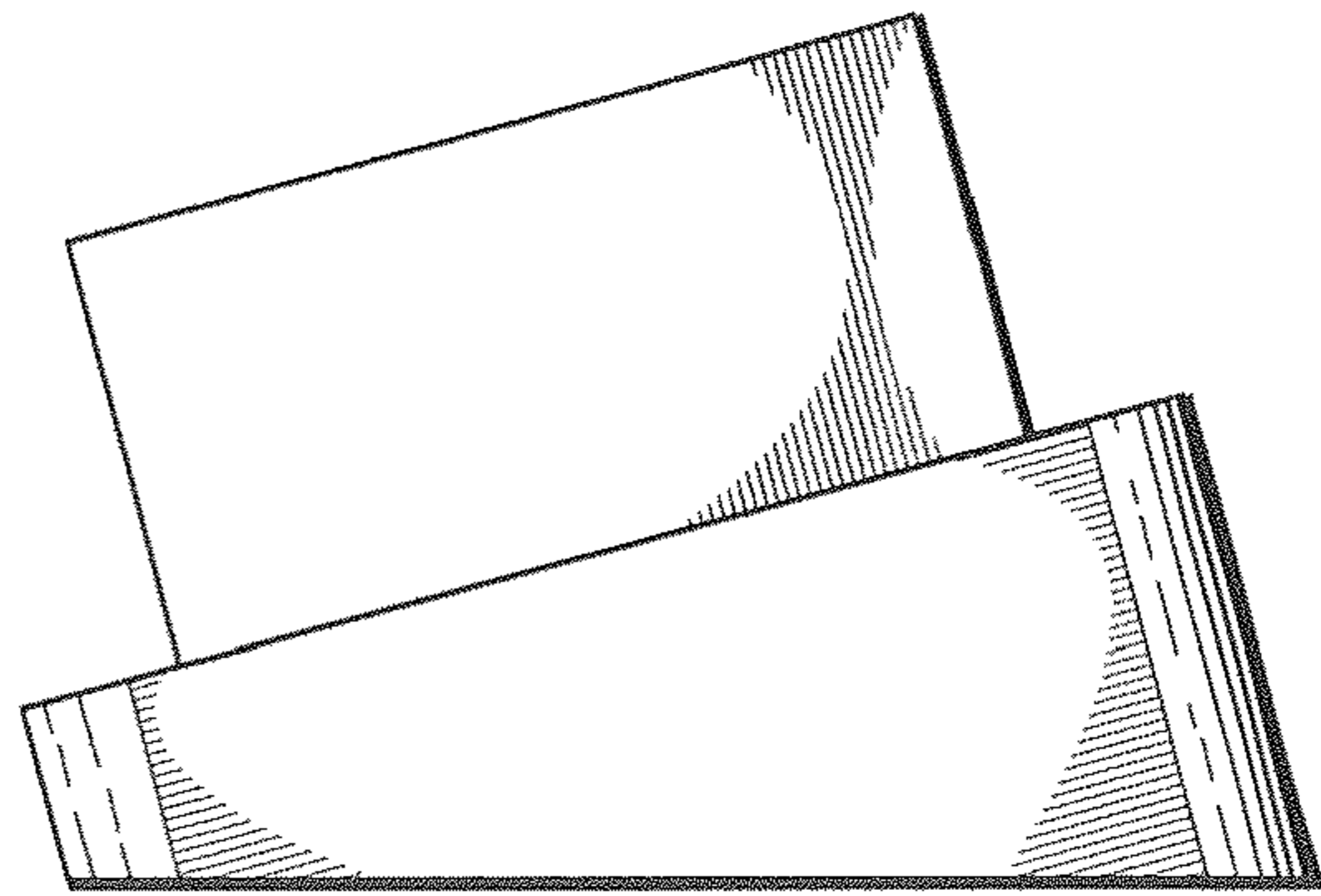


FIG. 4

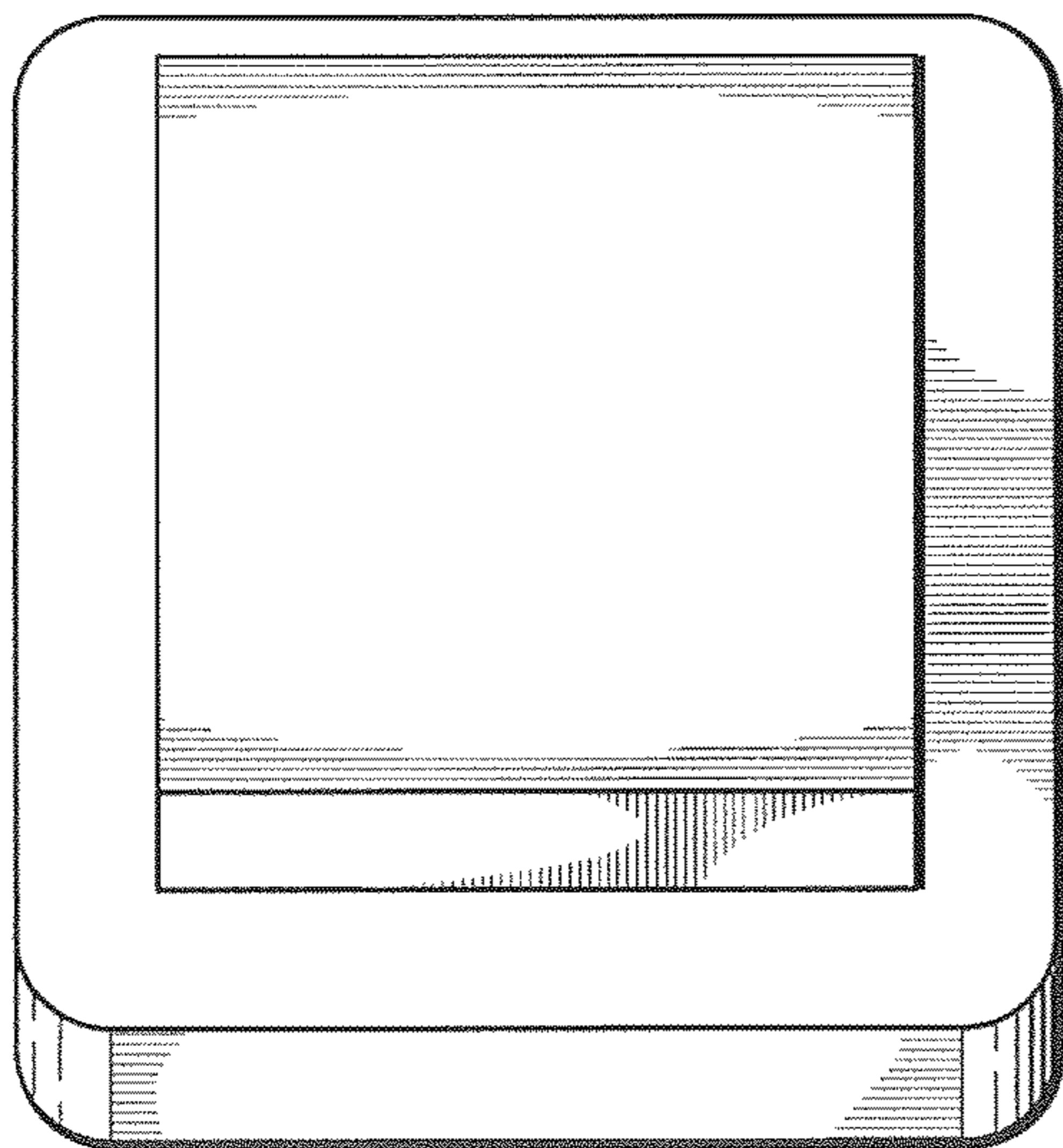


FIG. 5

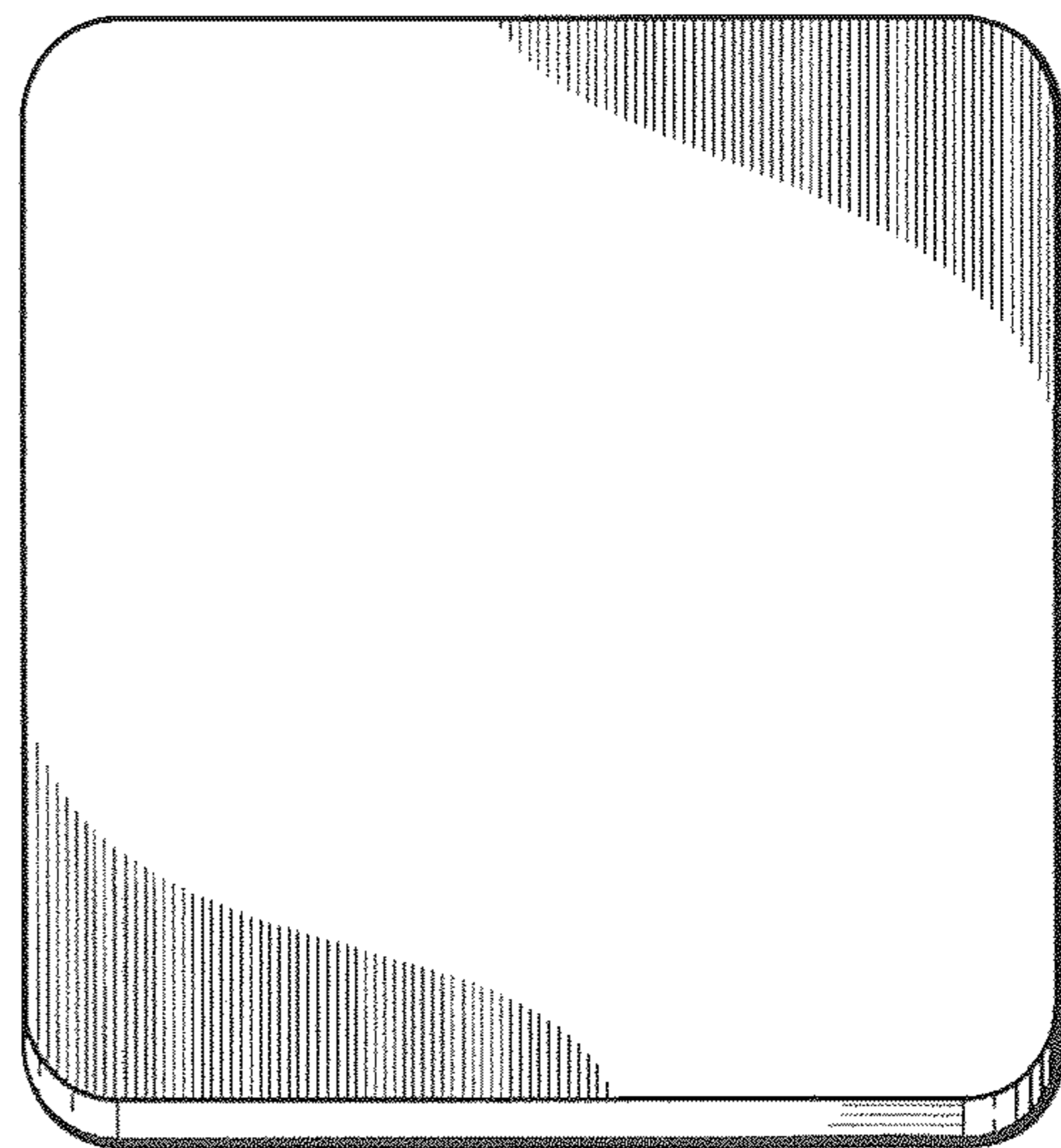


FIG. 6