



US00D740788S

(12) **United States Design Patent**  
**Kim et al.**

(10) **Patent No.:** **US D740,788 S**  
(45) **Date of Patent:** **\*\* Oct. 13, 2015**

(54) **AUDIO SPEAKER**

(71) Applicant: **LG ELECTRONICS INC.**, Seoul (KR)

(72) Inventors: **Han Soo Kim**, Seoul (KR); **Jun Ki Kim**, Seoul (KR); **Byung Lok Jeon**, Seoul (KR)

(73) Assignee: **LG Electronics Inc.**, Seoul (KR)

(\*\*) Term: **14 Years**

(21) Appl. No.: **29/478,795**

(22) Filed: **Jan. 8, 2014**

(51) **LOC (10) Cl.** ..... **14-03**

(52) **U.S. Cl.**  
USPC ..... **D14/214**

(58) **Field of Classification Search**  
USPC ..... D14/167, 168, 170–172, 188, 194–196, D14/204, 207, 209.1, 210–216, 219, 221, D14/222, 224, 496; 181/143, 144, 147, 148, 181/150, 153, 157, 198, 199; 381/300–303, 381/306, 332, 333, 336, 345, 361–364, 381/386–388; 369/6–12  
CPC .... B60R 11/0217; G06F 1/1688; H04M 1/03; H04M 1/035; H04R 1/02; H04R 1/06; H04R 1/021; H04R 1/025; H04R 1/026; H04R 1/028; H04R 1/105; H04R 1/323; H04R 1/403; H04R 1/2803; H04R 1/2834; H04R 5/02; H04R 7/20; H04R 9/06; H04R 9/025; H04R 2201/021; H04R 2400/00; H04R 2400/07; H04R 2499/11; H04R 2499/13; H04R 2499/15; H04S 3/00; H04S 7/30

See application file for complete search history.

(56) **References Cited**

U.S. PATENT DOCUMENTS

D542,272 S *	5/2007	Shiono .....	D14/214
D597,064 S *	7/2009	Machida .....	D14/167
D612,867 S *	3/2010	Morabito .....	D14/496
D621,384 S *	8/2010	Kao .....	D14/214
D663,718 S *	7/2012	Jang .....	D14/214
8,688,431 B2 *	4/2014	Lyons et al. ....	703/21
D713,381 S *	9/2014	Riggs et al. ....	D14/214
D715,258 S *	10/2014	Osborn et al. ....	D14/214
D718,277 S *	11/2014	Yamamoto .....	D14/214

\* cited by examiner

*Primary Examiner* — Keli L Hill

(74) *Attorney, Agent, or Firm* — Birch, Stewart, Kolasch & Birch, LLP

(57) **CLAIM**

We claim the ornamental design for an audio speaker, as shown and described.

**DESCRIPTION**

FIG. 1 is a perspective view of an audio speaker showing the new design:

FIG. 2 is a front elevation view thereof;

FIG. 3 is a rear elevation view thereof;

FIG. 4 is a left-side elevation view thereof;

FIG. 5 is a right-side elevation view thereof;

FIG. 6 is a top plan view thereof; and,

FIG. 7 is a bottom plan view thereof.

The broken lines shown in the drawings represent unclaimed portions of the audio speaker and form no part of the claimed design.

**1 Claim, 4 Drawing Sheets**

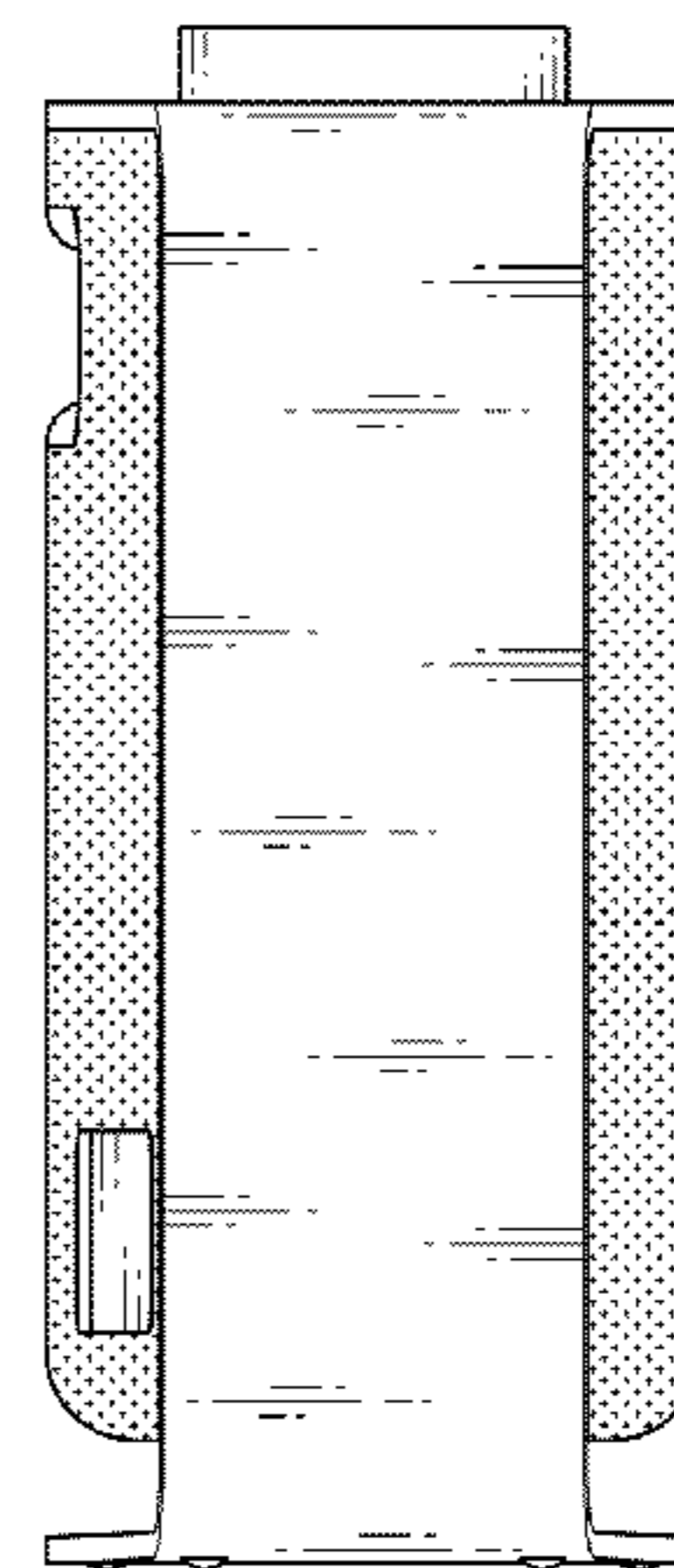
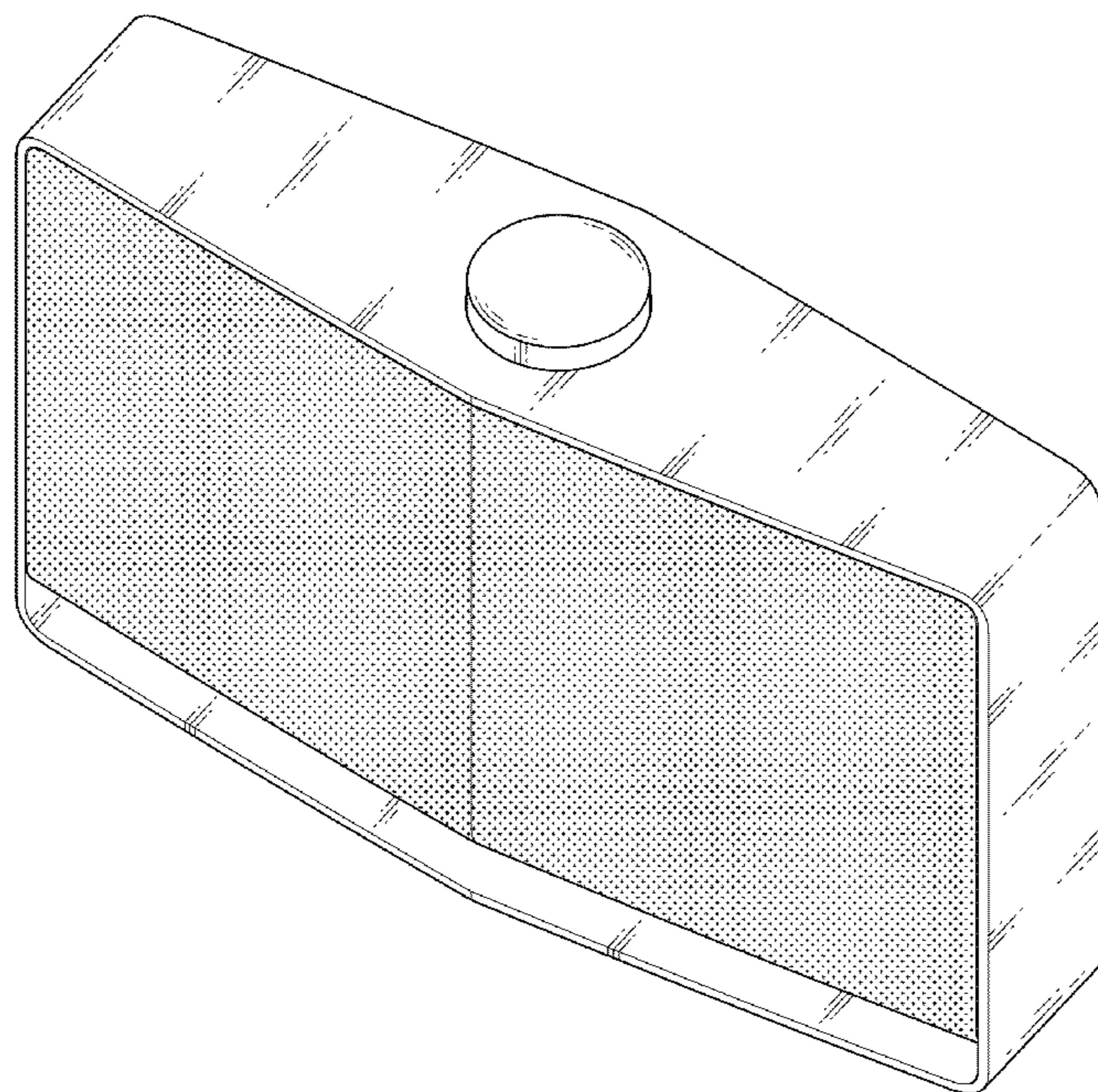


FIG. 1

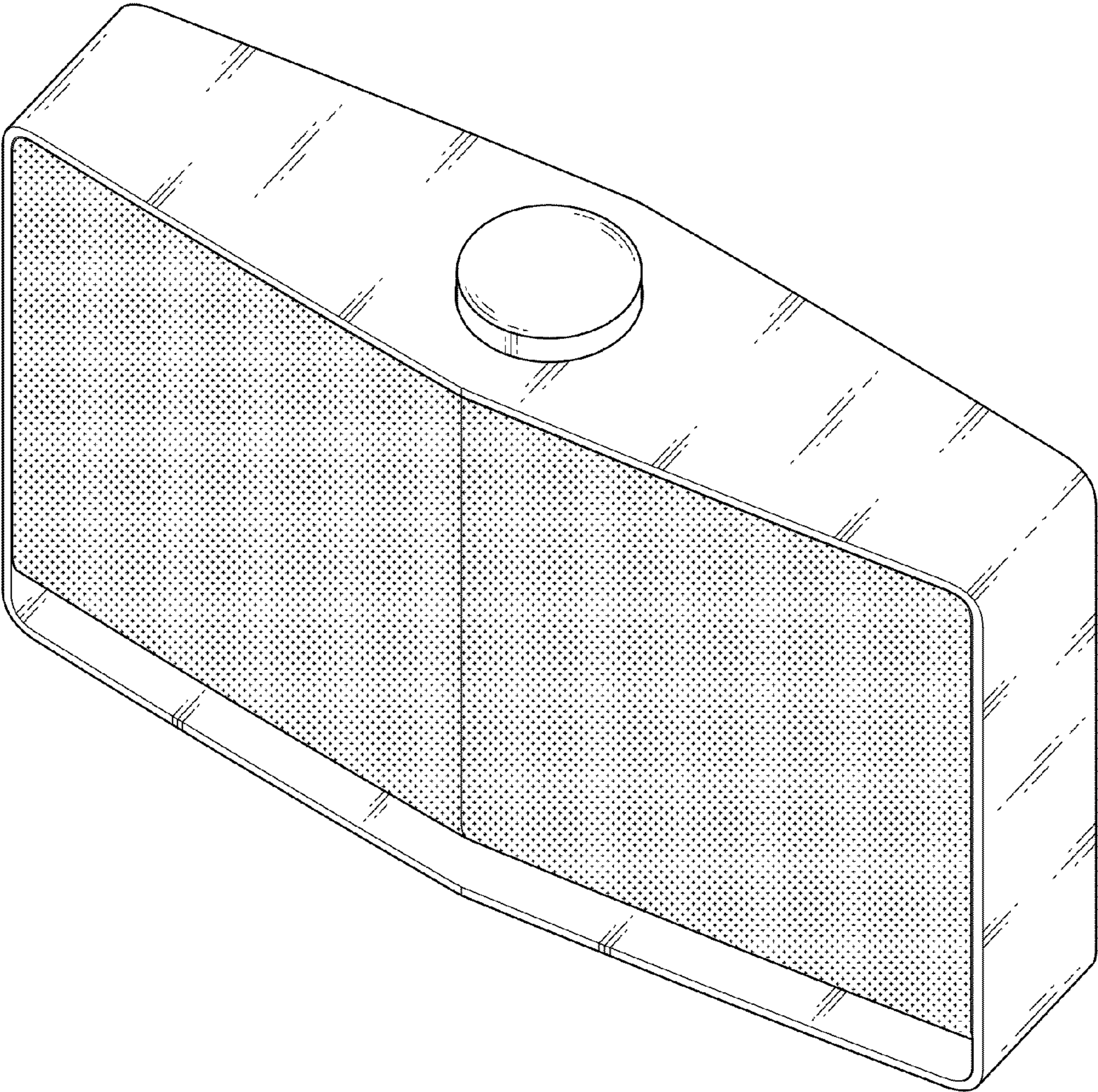


FIG. 2

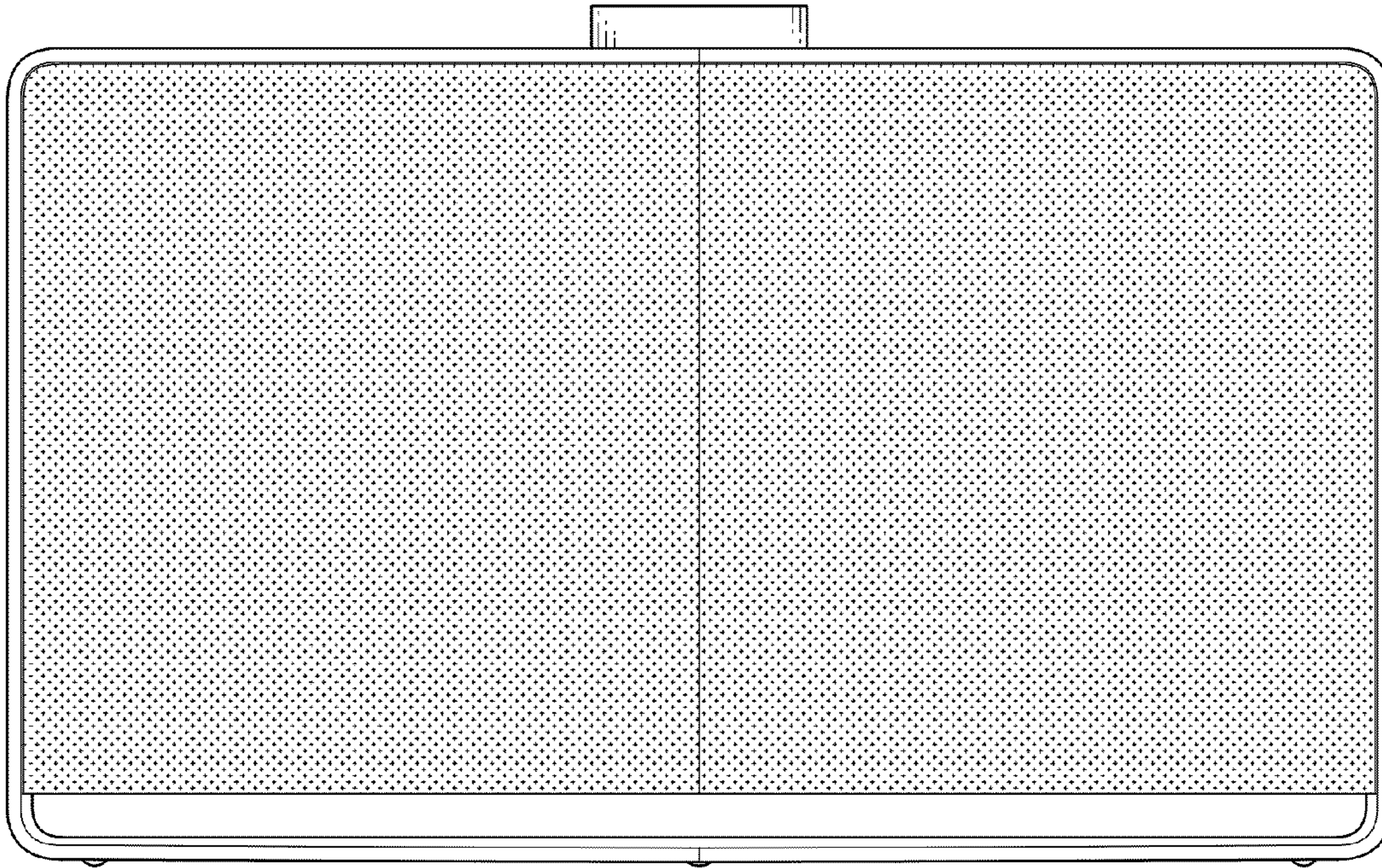


FIG. 3

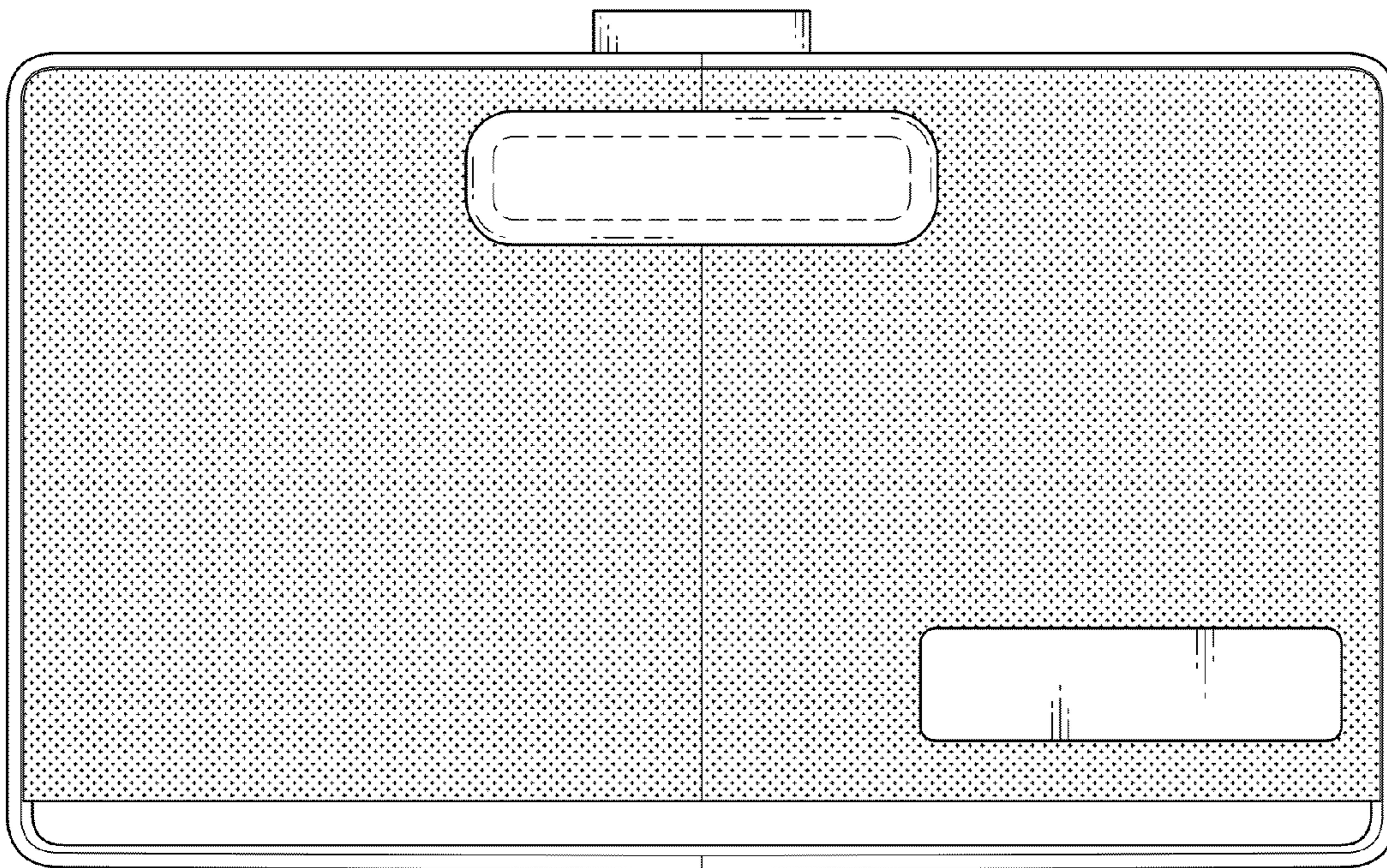


FIG. 4

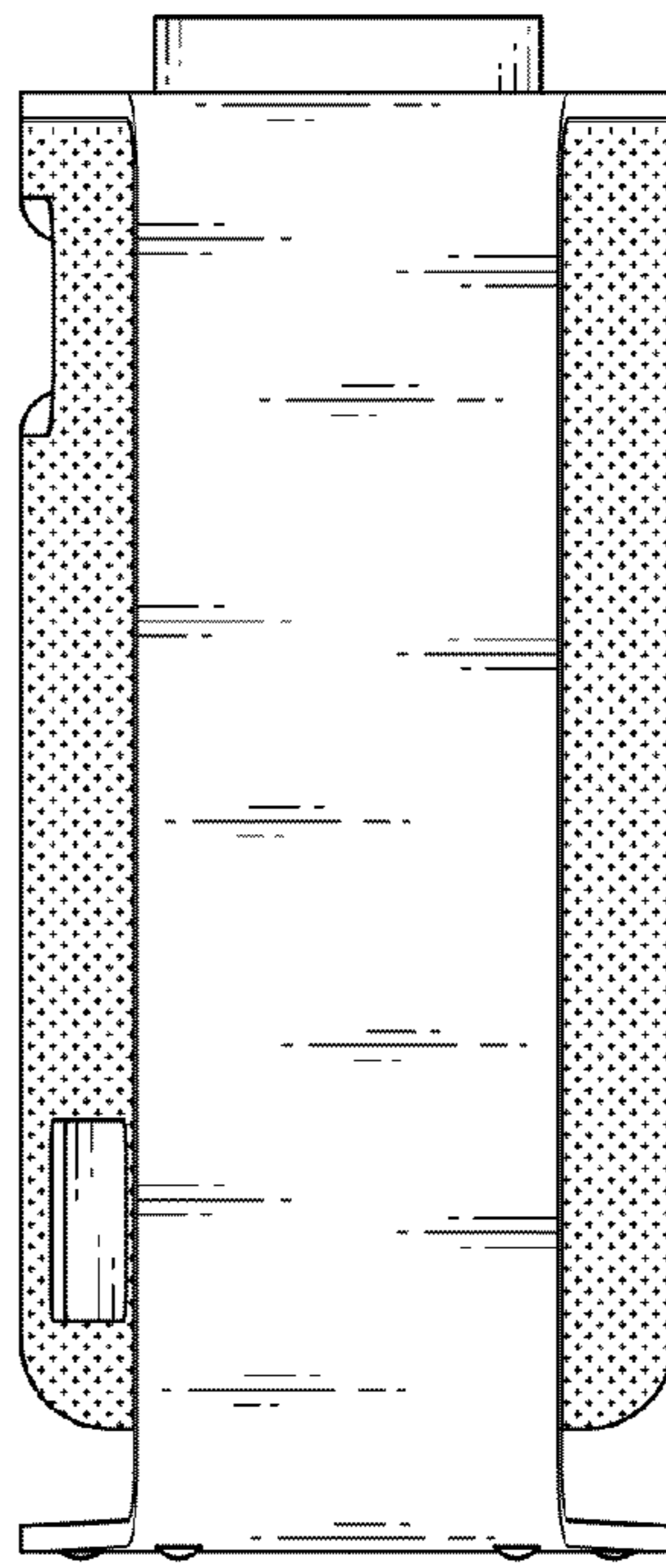


FIG. 5

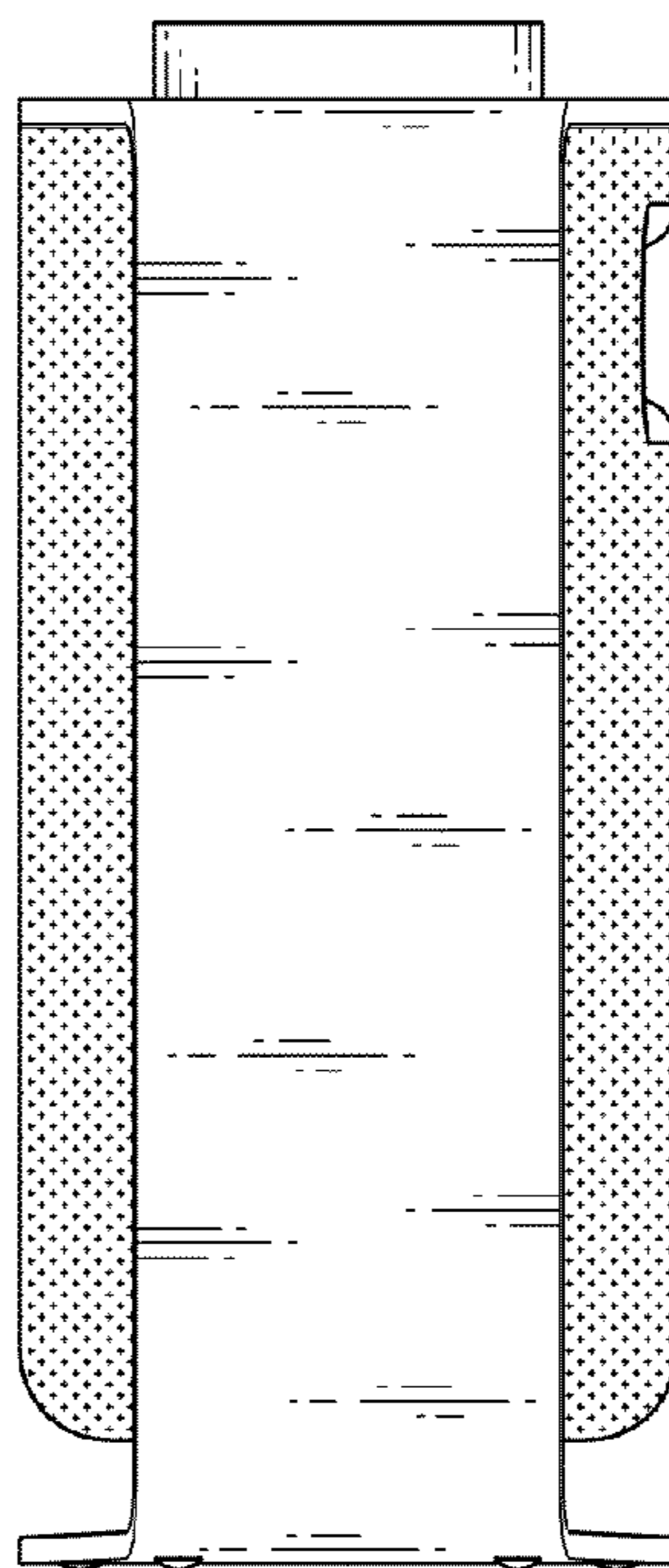


FIG.6

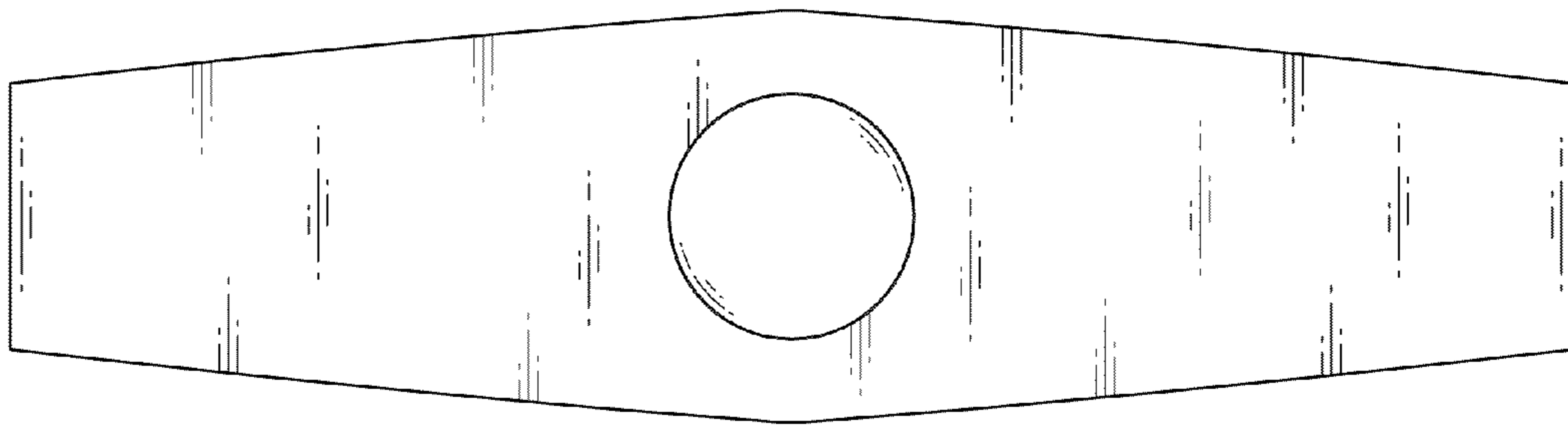


FIG.7

