



US00D740783S

(12) **United States Design Patent**
Porter

(10) **Patent No.:** **US D740,783 S**
(45) **Date of Patent:** **** Oct. 13, 2015**

- (54) **SOUND RECORDING APPARATUS**
- (71) Applicant: **AMS Neve Limited**, Burnley, Lancashire (GB)
- (72) Inventor: **Robin Andrew Porter**, Saffron Walden (GB)
- (73) Assignee: **AMS Neve Limited**, Burnley, Lancashire (GB)
- (**) Term: **14 Years**
- (21) Appl. No.: **29/445,104**
- (22) Filed: **Feb. 7, 2013**
- (30) **Foreign Application Priority Data**

- D487,888 S * 3/2004 Henderson D14/167
- D500,300 S * 12/2004 Sakuma D14/167
- D512,407 S * 12/2005 Suggs et al. D14/167
- D531,980 S * 11/2006 Takemasa D14/167
- D597,064 S * 7/2009 Machida D14/167
- D624,524 S * 9/2010 Terzigni D14/167
- D659,668 S * 5/2012 Neumann D14/155
- D669,879 S * 10/2012 Iijima D14/167
- D701,207 S * 3/2014 van den Heuvel et al. .. D14/432

* cited by examiner

Primary Examiner — Austin Murphy

(74) *Attorney, Agent, or Firm* — Pergament Gilman & Cepeda, LLP

(57) **CLAIM**

The ornamental design, including color, for a sound recording apparatus, as shown and described.

DESCRIPTION

The file of this patent includes at least one drawing/photograph executed in color. Copies of this patent with color drawing(s)/photograph(s) will be provided by the Office upon request and payment of the necessary fee.

- FIG. 1 is a front elevational view of a sound recording apparatus showing a first embodiment of my design;
- FIG. 2 is a front and top perspective view thereof;
- FIG. 3 is a front and left side perspective view thereof;
- FIG. 4 is a front and right side perspective view thereof;
- FIG. 5 is a left side view thereof;
- FIG. 6 is a right side view thereof;
- FIG. 7 is a top plan view thereof; and,
- FIG. 8 is a bottom plan view thereof.

The portions of the sound recording apparatus shown in broken lines are for illustrative purposes and form no part of the claimed design.

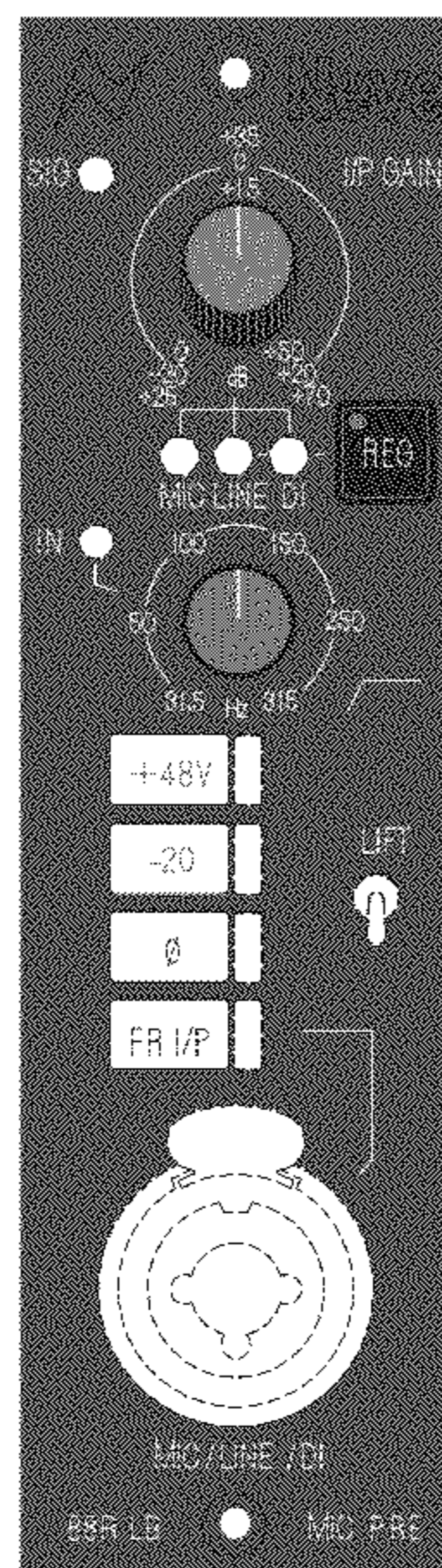
1 Claim, 8 Drawing Sheets
(8 of 8 Drawing Sheet(s) Filed in Color)

- Aug. 8, 2012 (EM) 002085456-0001
 - (51) **LOC (10) Cl.** **14-01**
 - (52) **U.S. Cl.**
USPC **D14/167**
 - (58) **Field of Classification Search**
USPC D14/167, 154, 168, 188, 496, 156, 160, D14/161, 162, 163, 164, 165, 158, 203.1, D14/341, 346, 342, 345, 225, 226, 228, 227, D14/214, 247, 203.7; 455/351, 350; D19/60, 62; D21/330; 369/44.14, 369/44.32; 700/94
- See application file for complete search history.

(56) **References Cited**

U.S. PATENT DOCUMENTS

- D396,719 S * 8/1998 Ito et al. D14/167
- D401,581 S * 11/1998 Palmiro et al. D14/167
- D444,137 S * 6/2001 Miyazaki D14/167
- D470,119 S * 2/2003 Ota D14/167



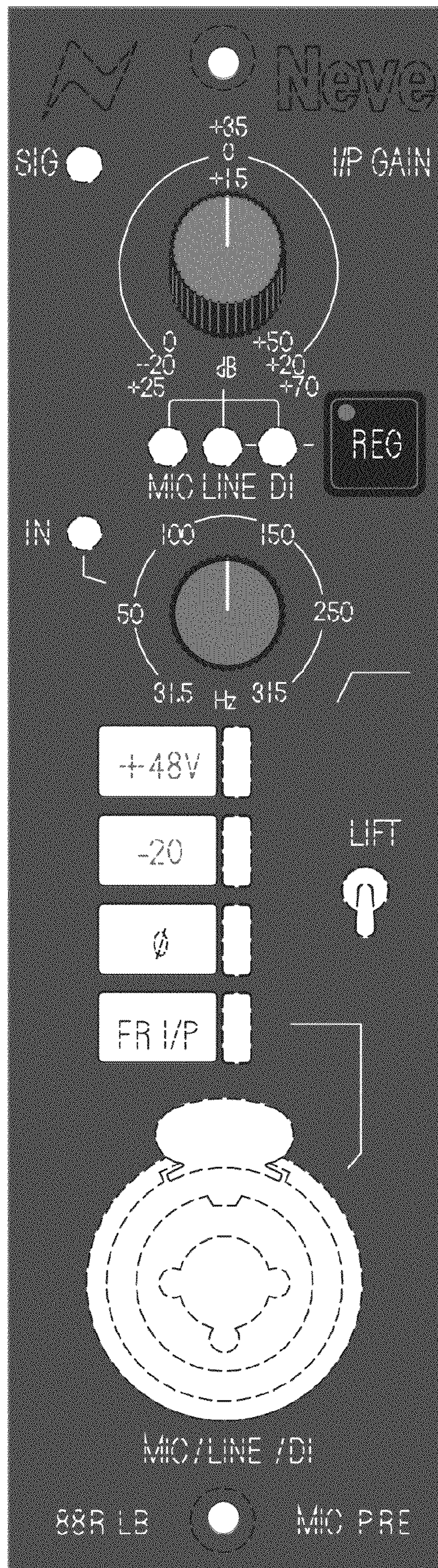


FIG. 1

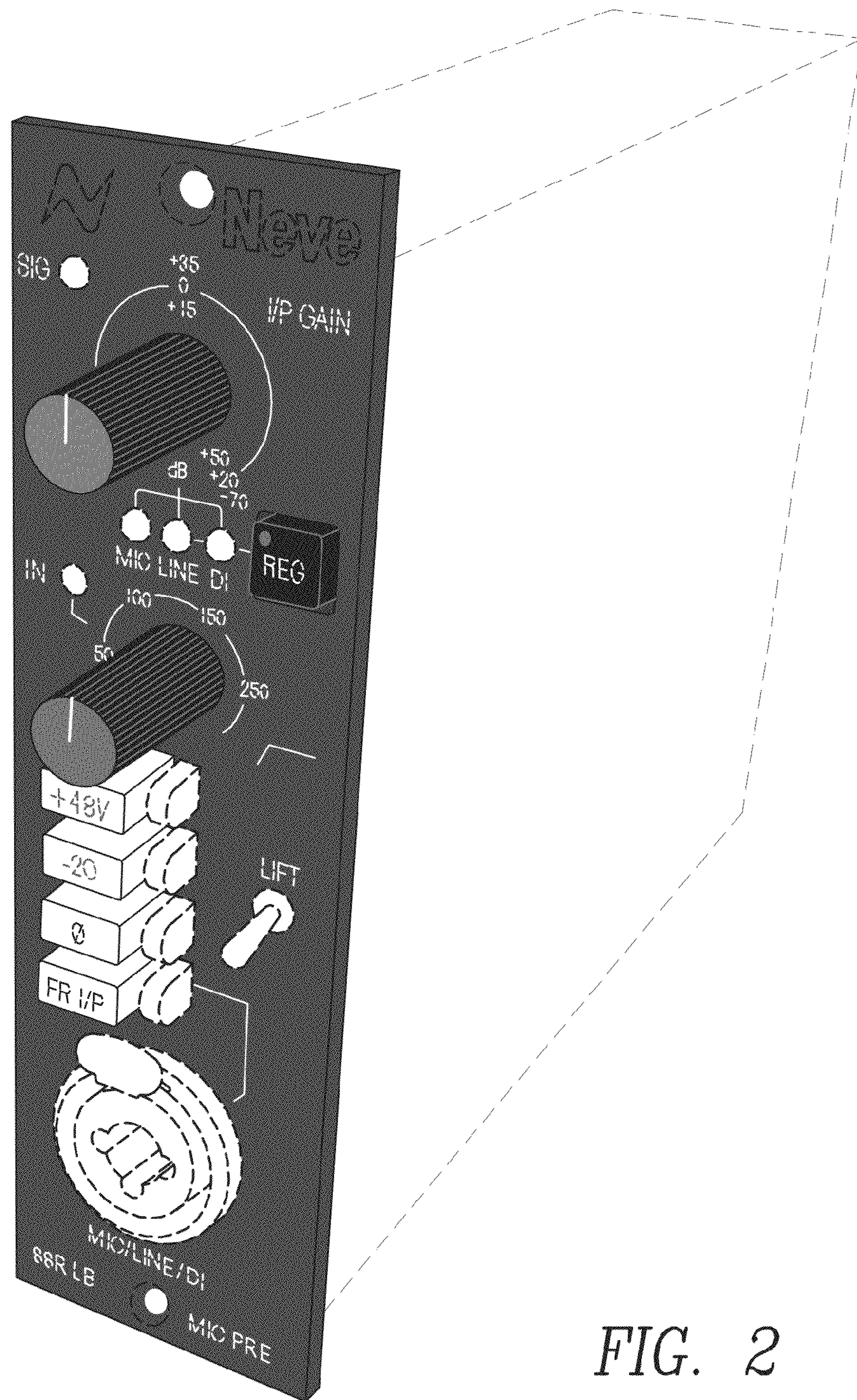


FIG. 2

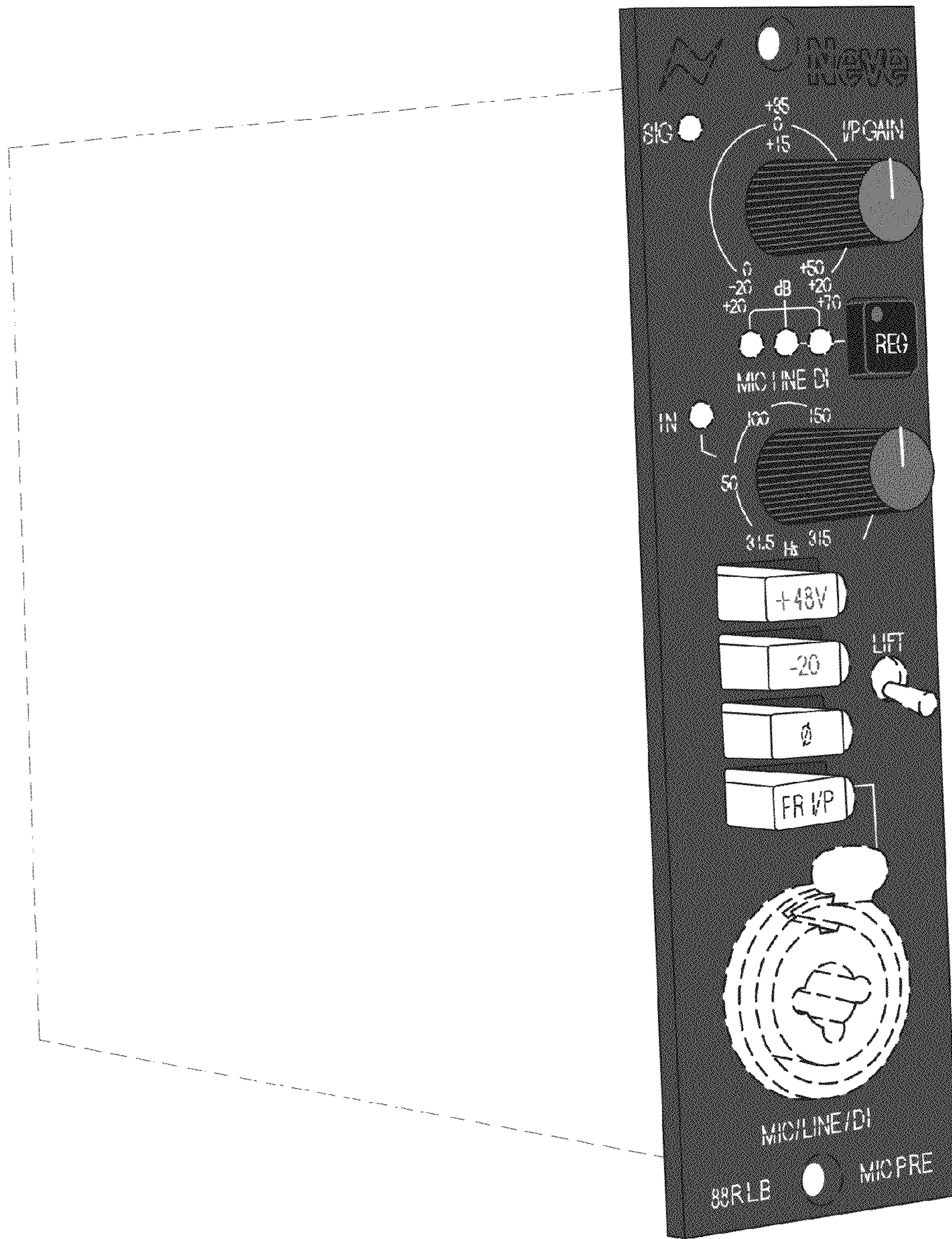


FIG. 3

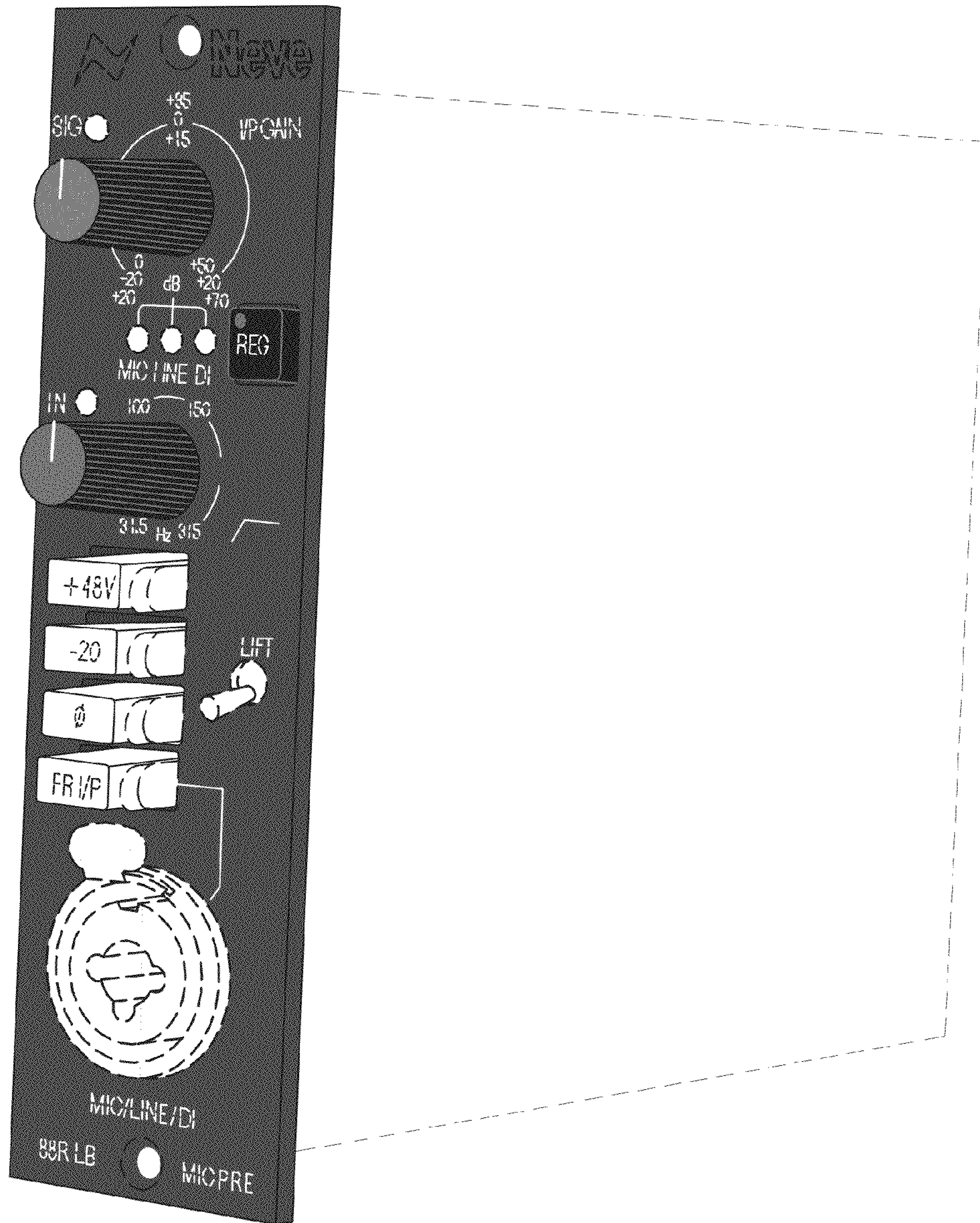


FIG. 4

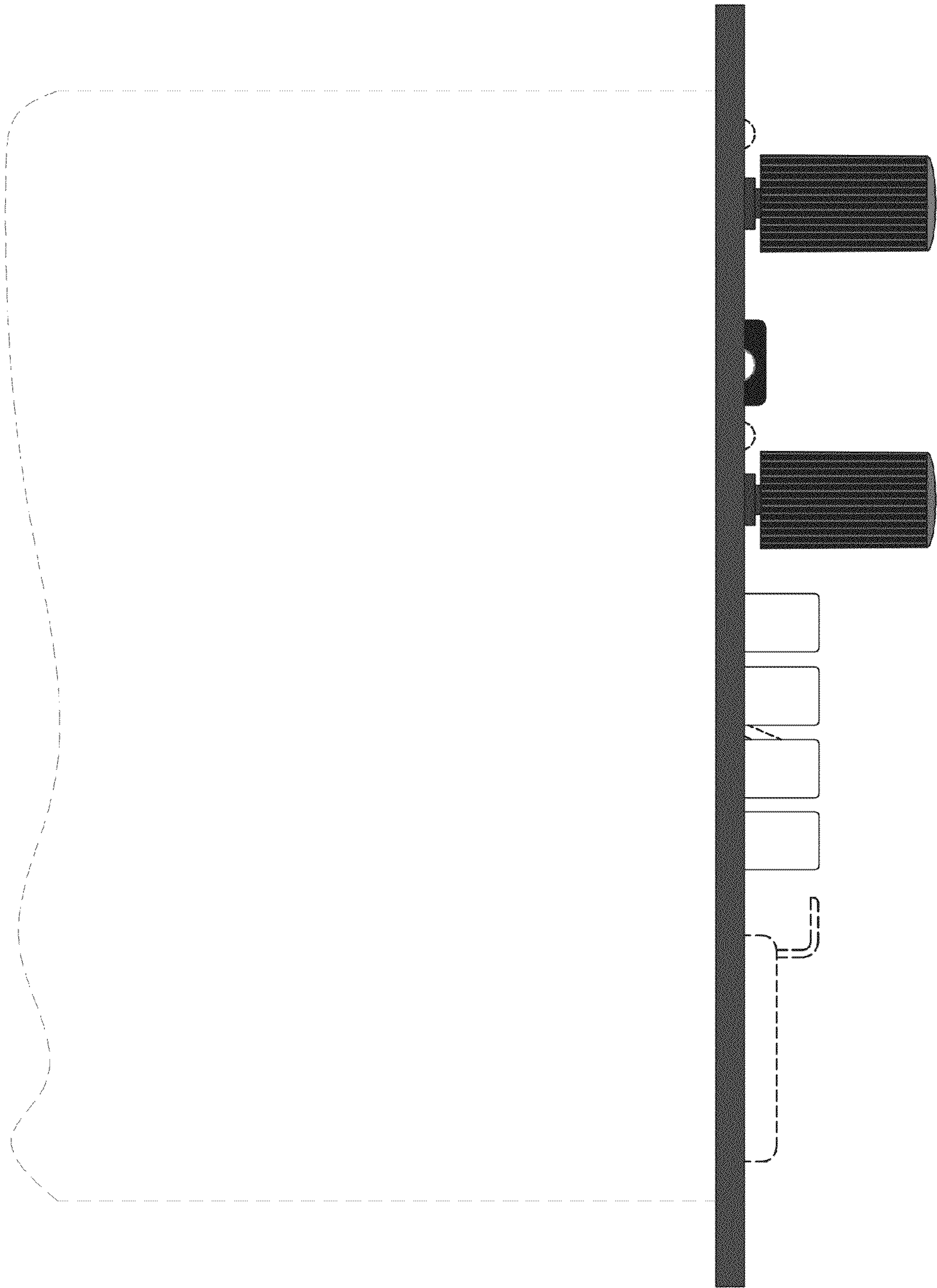


FIG. 5

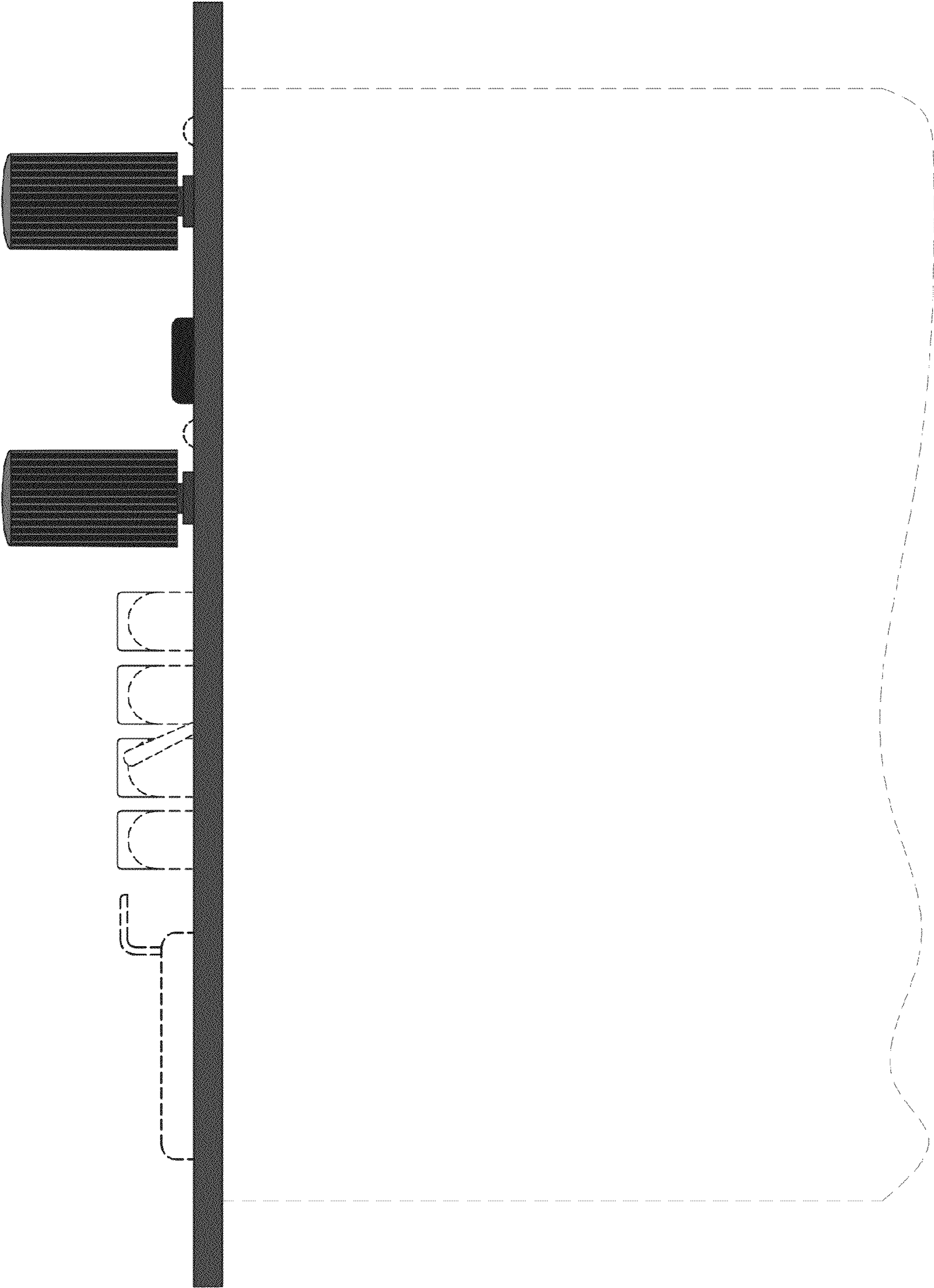


FIG. 6



FIG. 7

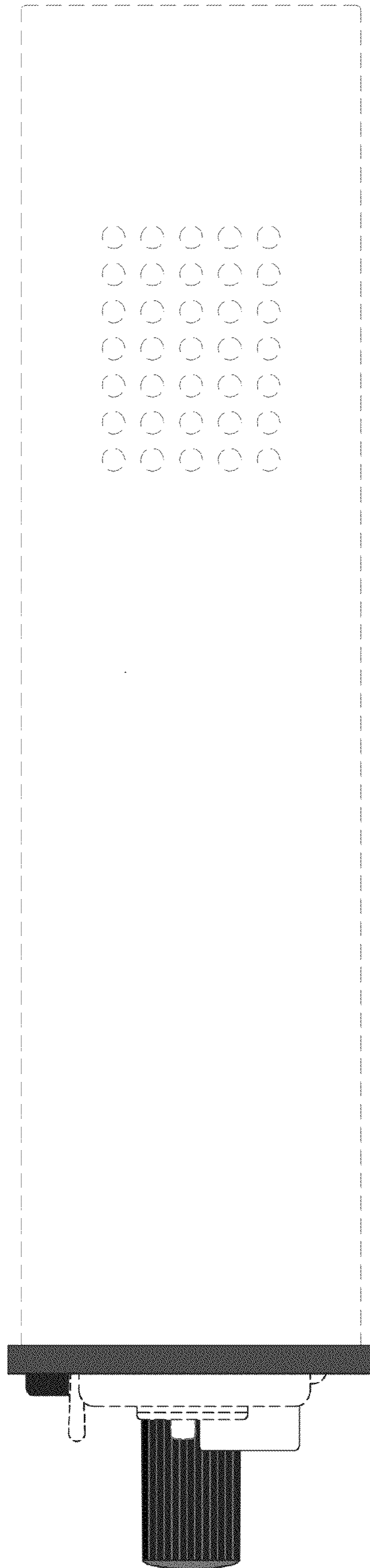


FIG. 8