



US00D740780S

(12) **United States Design Patent**
Matsuura et al.

(10) **Patent No.:** **US D740,780 S**
(45) **Date of Patent:** **** Oct. 13, 2015**

- (54) **TELEPHONE**
- (71) Applicant: **NEC Infrontia Corporation,**
Kawasaki-shi (JP)
- (72) Inventors: **Katsufumi Matsuura,** Kawasaki (JP);
Naoki Ozawa, Tokyo (JP)
- (73) Assignee: **NEC PLATFORMS, LTD.,**
Kawasaki-Shi, Kanagawa (JP)
- (**) Term: **14 Years**
- (21) Appl. No.: **29/483,958**
- (22) Filed: **Mar. 5, 2014**

- D342,252 S * 12/1993 Akatsu et al. D14/151
- D362,001 S * 9/1995 Roegner D14/151
- D367,621 S * 3/1996 Lee D10/104.1
- D374,230 S * 10/1996 Nuttall et al. D14/151
- D390,563 S * 2/1998 Akatsu et al. D14/151
- D412,171 S * 7/1999 Girardi et al. D14/151
- D413,119 S * 8/1999 Schnell et al. D14/151
- D421,751 S * 3/2000 Chan D14/151
- D432,106 S * 10/2000 Isonaga D14/149
- D432,107 S * 10/2000 Isonaga D14/149
- D432,108 S * 10/2000 Isonaga D14/151
- D437,840 S * 2/2001 Korby et al. D14/151
- D438,189 S * 2/2001 Korby et al. D14/151
- D442,158 S * 5/2001 Isonaga D14/151
- D457,080 S * 5/2002 Roelke et al. D10/65
- D457,151 S * 5/2002 Shintani D14/151
- D457,509 S * 5/2002 Ohwada et al. D14/151
- D472,227 S * 3/2003 Takayama et al. D14/151

(Continued)

- (30) **Foreign Application Priority Data**
- Dec. 20, 2013 (JP) 2013-030071
- (51) **LOC (10) Cl.** **14-03**
- (52) **U.S. Cl.**
- USPC **D14/151**
- (58) **Field of Classification Search**
- USPC D14/151, 130, 140.7, 140.8, 142, 144,
D14/149, 150, 155, 158, 159, 188, 217, 226,
D14/229, 240, 251–253, 399, 329;
D21/517; D13/107, 108, 168; D10/65;
379/88.17, 90.01, 93.17, 387.01,
379/388.02, 419–420.04, 420.02,
379/428.01–428.04, 434–436, 440,
379/446–447, 454–455, 93.23; D24/165
- CPC H04M 1/00; H04M 1/003; H04M 1/02;
H04M 1/03; H04M 1/04
- See application file for complete search history.

Primary Examiner — Susan Bennett Hattan
Assistant Examiner — Marie Fast Horse
 (74) *Attorney, Agent, or Firm* — Buchanan Ingersoll & Rooney PC

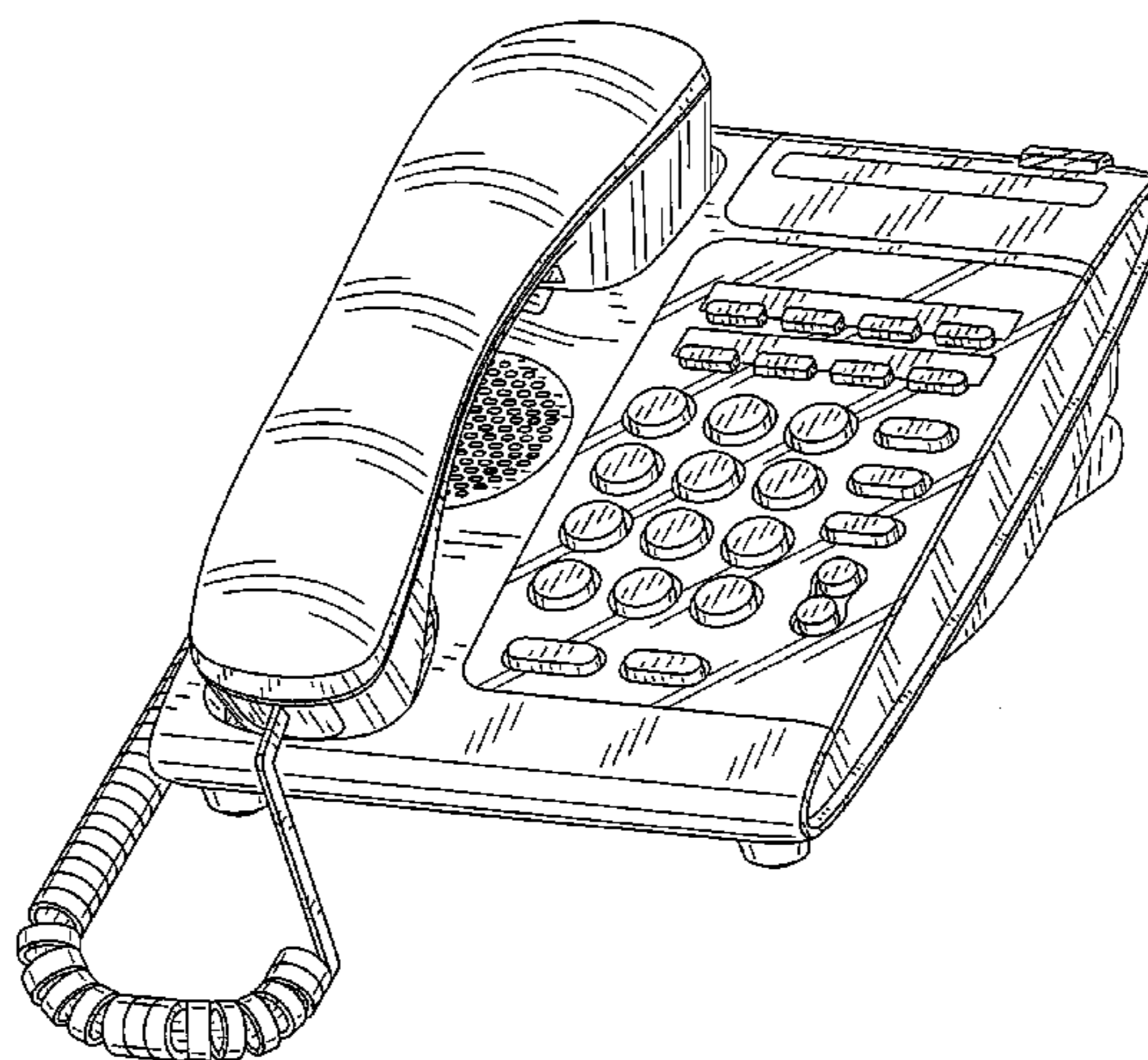
(57) **CLAIM**
 The ornamental design for a telephone, as shown and described.

DESCRIPTION

FIG. 1 is a front, right side, bottom perspective view of a telephone showing our new design;
 FIG. 2 is a front elevational view thereof;
 FIG. 3 is a rear elevational view thereof;
 FIG. 4 is a left side view thereof;
 FIG. 5 is a right side view thereof;
 FIG. 6 is a top plan view thereof;
 FIG. 7 is a bottom plan view thereof; and,
 FIG. 8 is a reference front elevational view thereof showing a state in which a receiver is taken from its rest of a telephone main body.
 The broken lines in FIGS. 3, 7 and 8 depict parts of the telephone that form no part of the claimed design.

1 Claim, 7 Drawing Sheets

- (56) **References Cited**
- U.S. PATENT DOCUMENTS
- D303,386 S * 9/1989 Iino D14/142
- D303,665 S * 9/1989 Ohta et al. D14/142
- D316,548 S * 4/1991 Yeung D14/144



(56)

References Cited

U.S. PATENT DOCUMENTS

D481,699 S *	11/2003	Jauregui et al.	D14/151	D597,061 S *	7/2009	Akatsu et al.	D14/151
D481,700 S *	11/2003	Jauregui et al.	D14/151	D600,670 S *	9/2009	Akatsu et al.	D14/151
D481,701 S *	11/2003	Kamezawa et al.	D14/151	D600,671 S *	9/2009	Akatsu et al.	D14/151
D482,341 S *	11/2003	Jauregui et al.	D14/151	D601,118 S *	9/2009	Akatsu et al.	D14/151
D490,795 S *	6/2004	Watanabe et al.	D14/151	D601,119 S *	9/2009	Akatsu et al.	D14/151
D499,712 S *	12/2004	Abe et al.	D14/151	D613,724 S *	4/2010	Kao et al.	D14/151
D513,412 S *	1/2006	Kodera et al.	D14/151	D621,381 S *	8/2010	Akatsu et al.	D14/140
D553,605 S *	10/2007	Chou	D14/151	D676,016 S *	2/2013	Akatsu et al.	D14/142
D555,143 S *	11/2007	Chou	D14/151	D676,411 S *	2/2013	Taniguchi et al.	D14/151
D596,612 S *	7/2009	Akatsu et al.	D14/151	2007/0286410 A1 *	12/2007	Daly et al.	379/436
D596,613 S *	7/2009	Akatsu et al.	D14/151	2008/0240416 A1 *	10/2008	Abramson et al.	379/428.03
D597,060 S *	7/2009	Akatsu et al.	D14/151	2009/0161861 A1 *	6/2009	Yoshida et al.	379/436
				2011/0216898 A1 *	9/2011	Huang et al.	379/428.02
				2013/0108037 A1 *	5/2013	Chen	379/446
				2014/0247012 A1 *	9/2014	Toh	320/114

* cited by examiner



FIG. 1

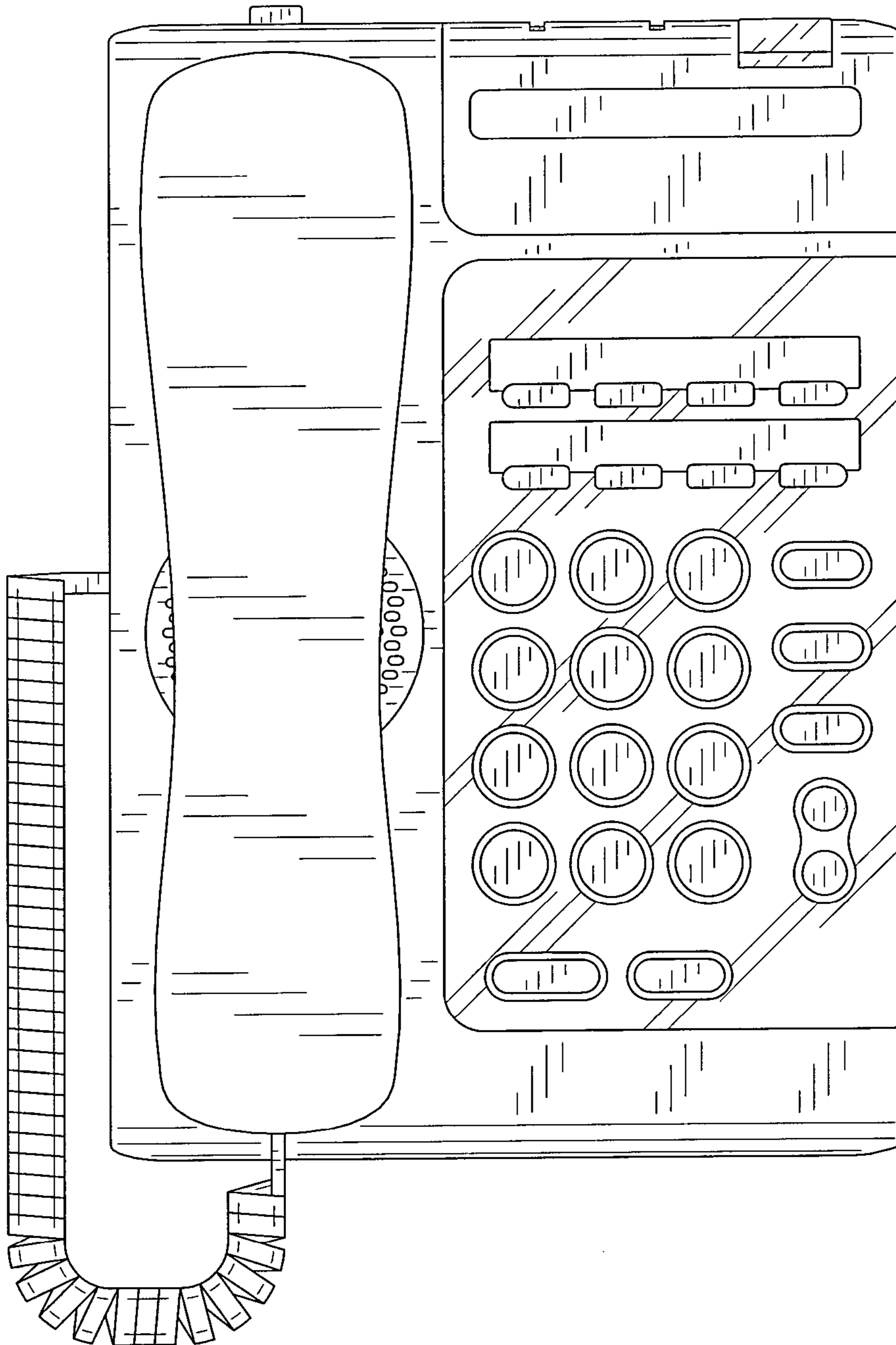


FIG. 2

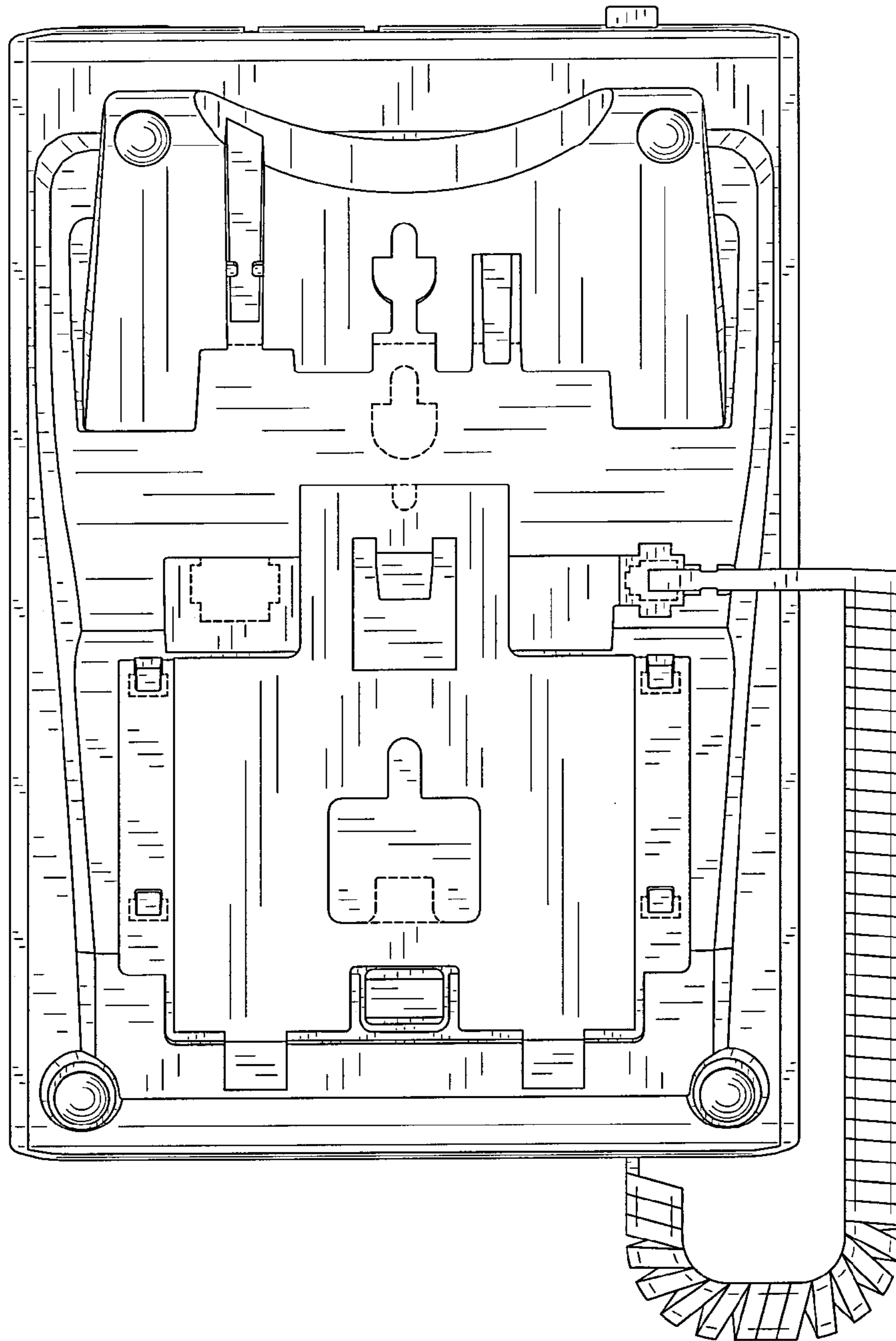


FIG. 3

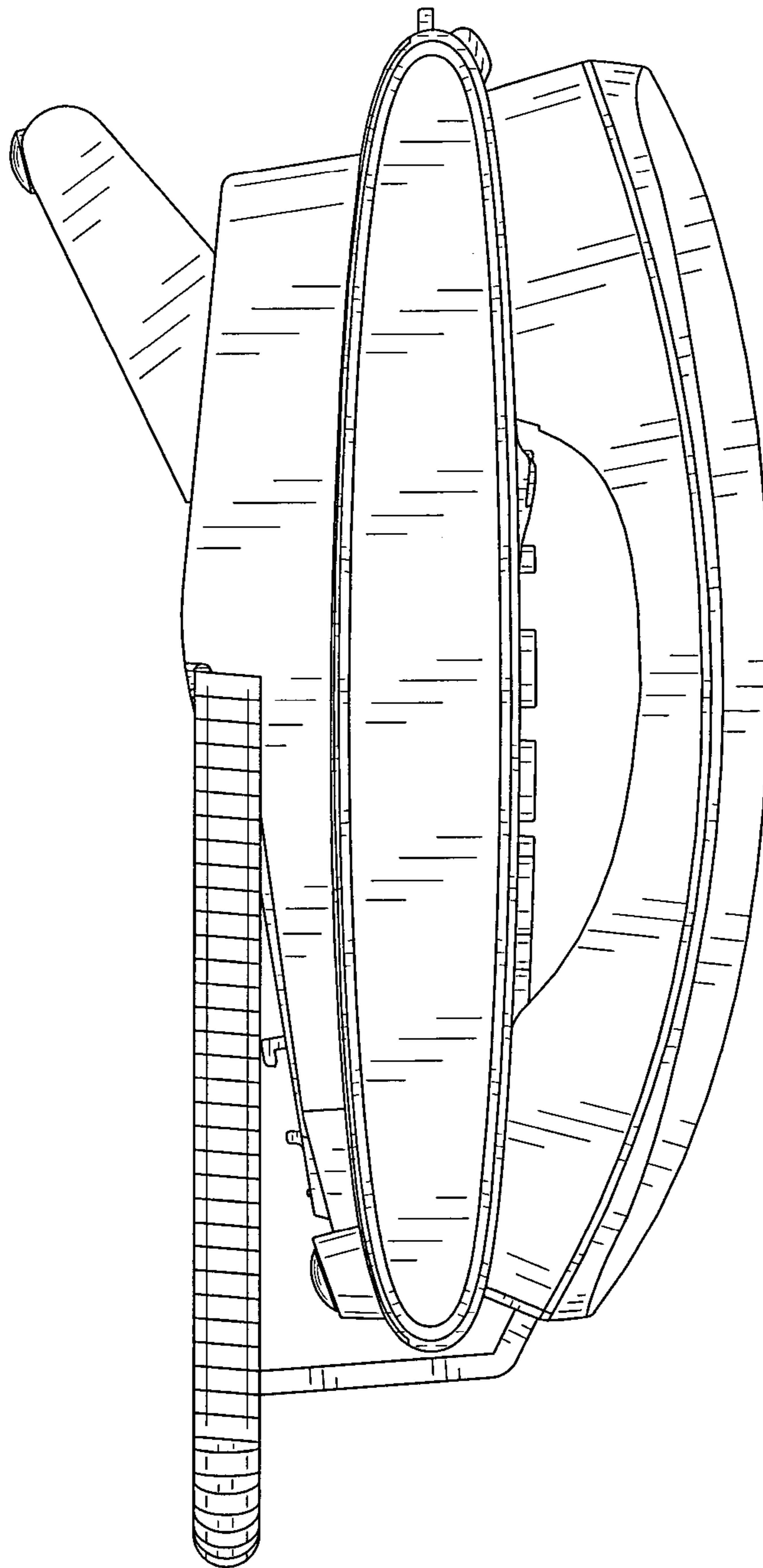


FIG. 4

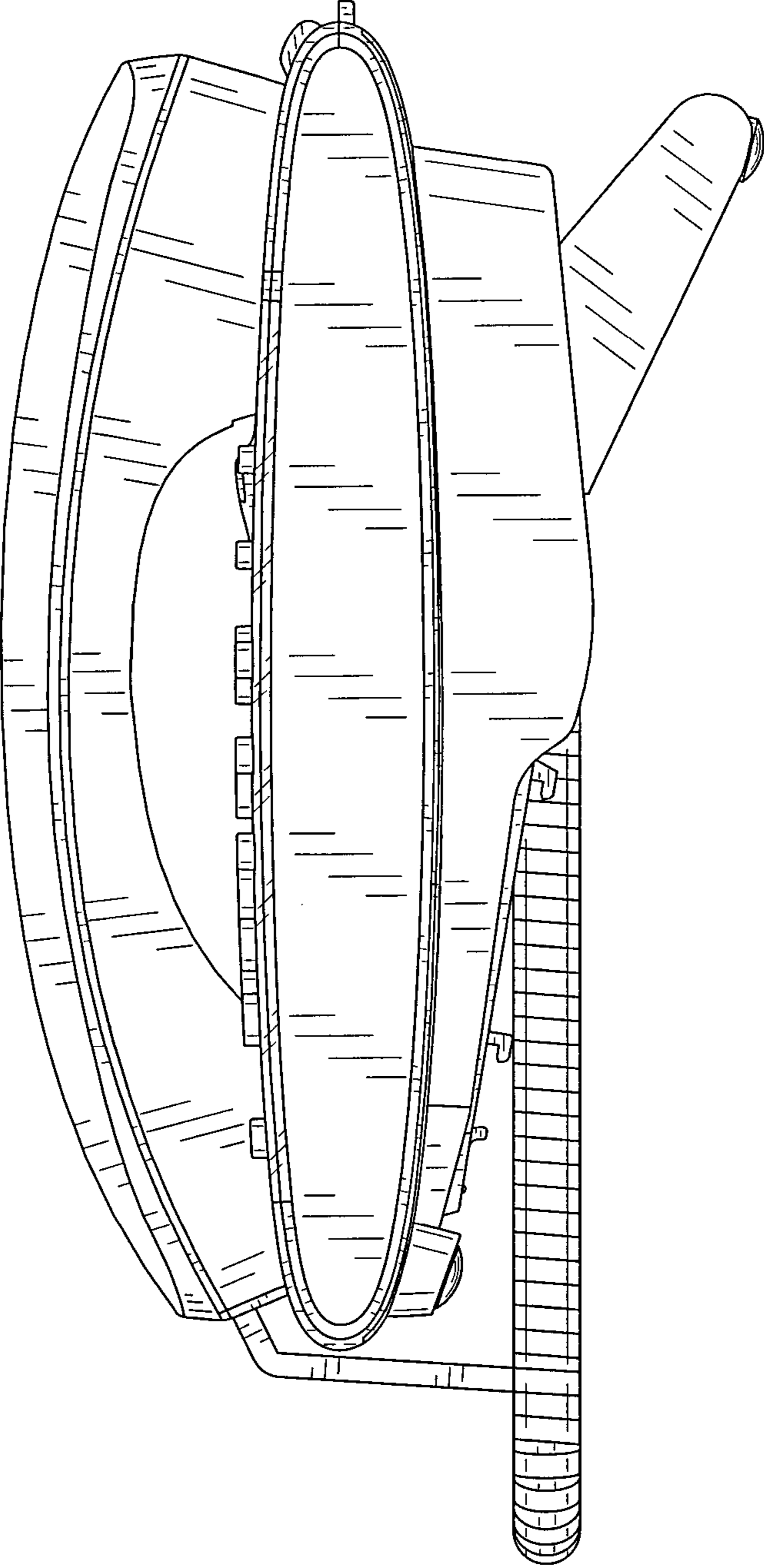


FIG. 5

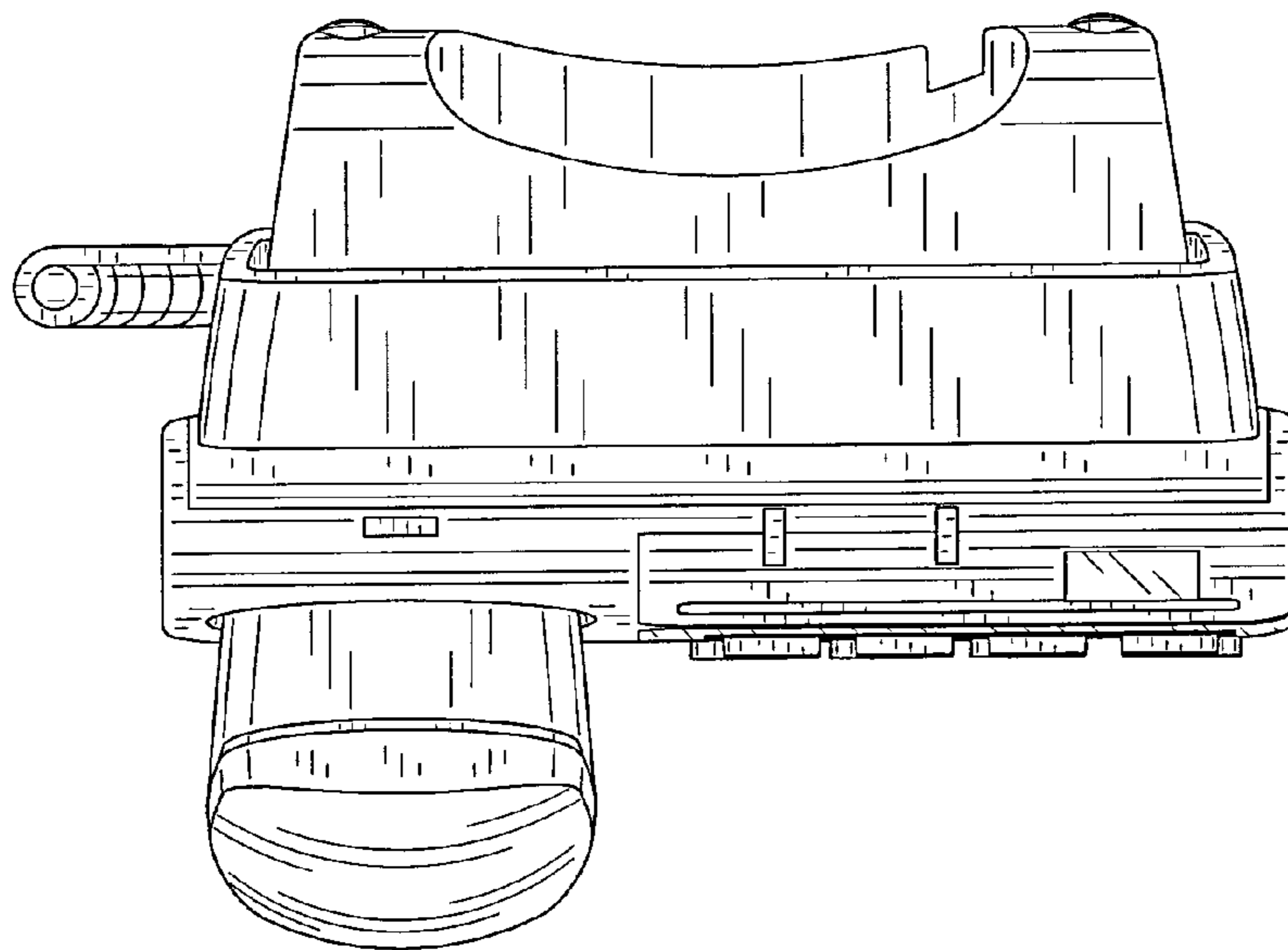


FIG. 6

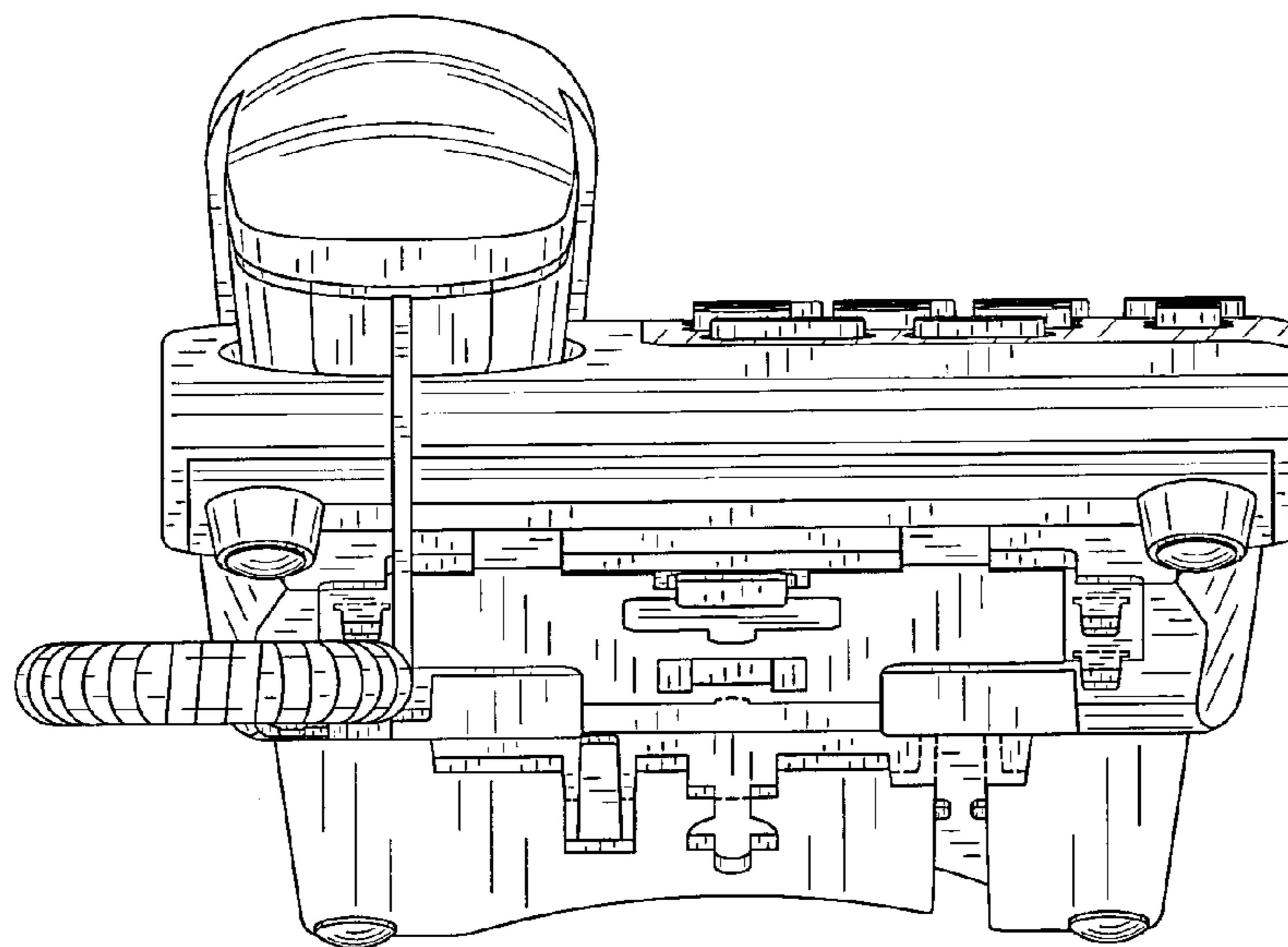


FIG. 7

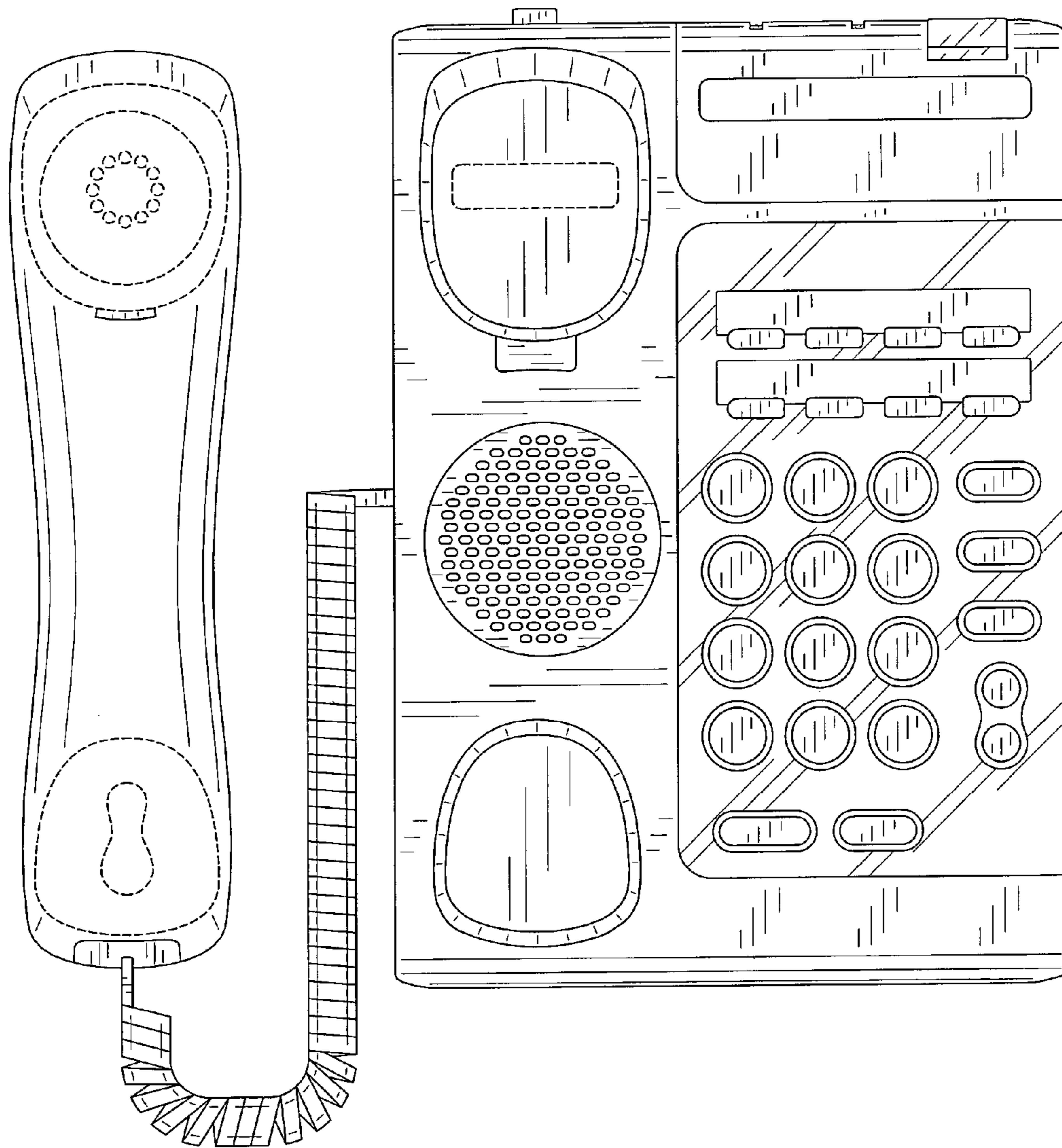


FIG. 8