



US00D740773S

(12) **United States Design Patent**
Bang et al.

(10) **Patent No.:** **US D740,773 S**
(45) **Date of Patent:** **** Oct. 13, 2015**

(54) **TELEVISION**

(71) Applicant: **SAMSUNG ELECTRONICS CO., LTD.**, Suwon-si (KR)

(72) Inventors: **Sung-II Bang**, Seoul (KR); **Hae-Sung Park**, Seoul (KR)

(73) Assignee: **SAMSUNG ELECTRONICS CO., LTD.** (KR)

(**) Term: **14 Years**

(21) Appl. No.: **29/475,150**

(22) Filed: **Nov. 29, 2013**

(30) **Foreign Application Priority Data**

May 29, 2013 (KR) 30-2013-0027965

(51) **LOC (10) Cl.** **14-03**

(52) **U.S. Cl.**
USPC **D14/126**

(58) **Field of Classification Search**

USPC D14/125–134, 239, 371, 138 C,
D14/374–377, 450, 448, 336, 159; D6/300;
D10/15, 26; D21/329, 515, 577, 333,
D21/331; D16/200, 208; 312/7.2;
248/917–924, 465; 446/484, 175;
345/104, 156, 168, 87, 173; 348/836,
348/838, 180, 184, 325, 739, 207.1, 373,
348/374, 14.04

CPC H04N 5/77; H04N 5/772; H04N 5/645;
H04N 5/4403; H04N 5/2257; H04N 5/2251

See application file for complete search history.

(56) **References Cited**

U.S. PATENT DOCUMENTS

D387,040 S * 12/1997 Iino D14/375
D540,280 S * 4/2007 Yeo D14/126
D658,646 S * 5/2012 Akana et al. D14/336
D669,112 S * 10/2012 Gustaveson D16/237
D674,430 S * 1/2013 Inoue D16/218

D677,638 S * 3/2013 Kim et al. D14/126
D678,380 S * 3/2013 Pardo et al. D16/202
D700,594 S * 3/2014 Lee et al. D14/239
D706,233 S * 6/2014 Lee et al. D14/126
D708,657 S * 7/2014 Gustaveson D16/250
D713,808 S * 9/2014 Ryu et al. D14/126
D714,747 S * 10/2014 Kim et al. D14/126
D719,120 S * 12/2014 Park et al. D14/126
D720,316 S * 12/2014 Huh et al. D14/126
D721,679 S * 1/2015 Bang et al. D14/239
D723,487 S * 3/2015 Lee et al. D14/126
2013/0188006 A1 * 7/2013 McMahon 348/14.04
2015/0029390 A1 * 1/2015 Kim et al. 348/373

* cited by examiner

Primary Examiner — Eric Goodman

Assistant Examiner — Clese Moore, Jr.

(74) *Attorney, Agent, or Firm* — Cantor Colburn LLP

(57) **CLAIM**

The ornamental design for a television, as shown and described.

DESCRIPTION

FIG. 1 is a front perspective view of a television showing our new design;

FIG. 2 is a front elevation view of thereof;

FIG. 3 is a rear elevation view of thereof;

FIG. 4 is a side elevation view of thereof;

FIG. 5 is another side elevation view of thereof;

FIG. 6 is a top plan view of thereof;

FIG. 7 is a bottom plan view of thereof;

FIG. 8 is a partial enlarged view of that which is shown in FIG. 2;

FIG. 9 is a partial enlarged, perspective front view of FIG. 8 in another configuration; and,

FIG. 10 is a partial enlarged view of that which is shown in FIG. 8 in another configuration.

The broken lines illustrating portions of the television are for environmental purpose only and form no part of the claimed design.

The shade lines in the figures show contour and not surface ornamentation.

1 Claim, 10 Drawing Sheets

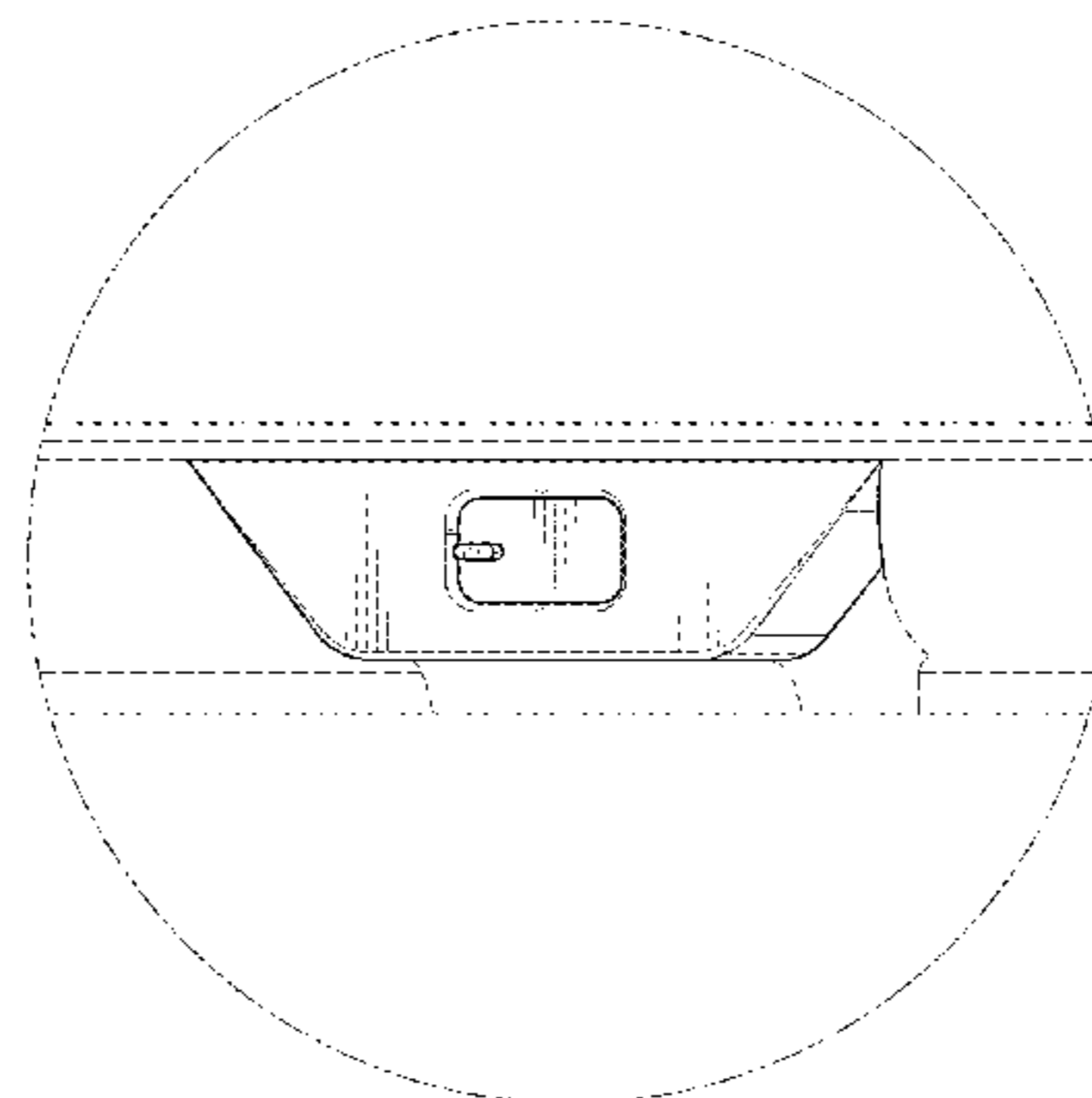
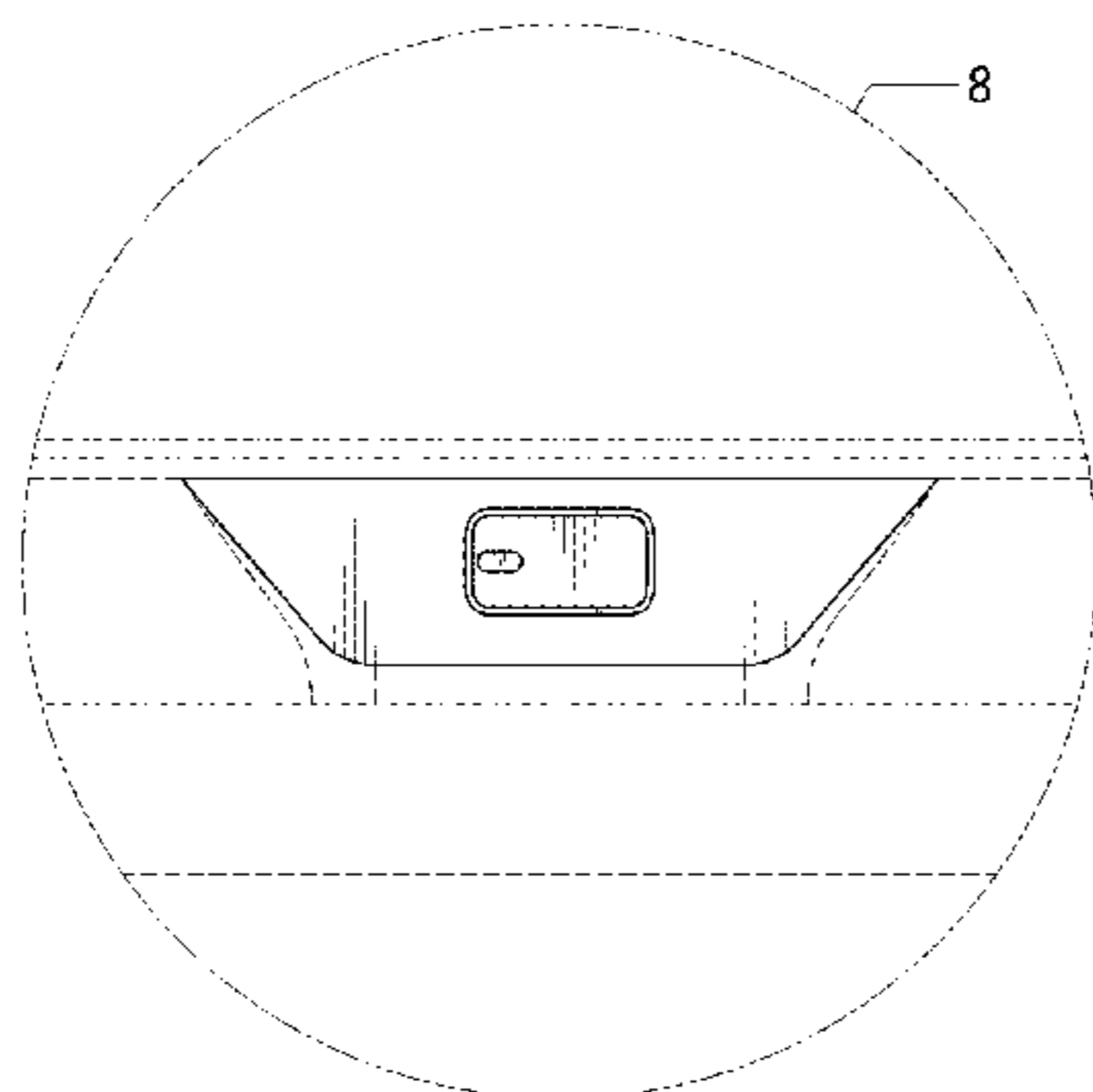


FIG. 1

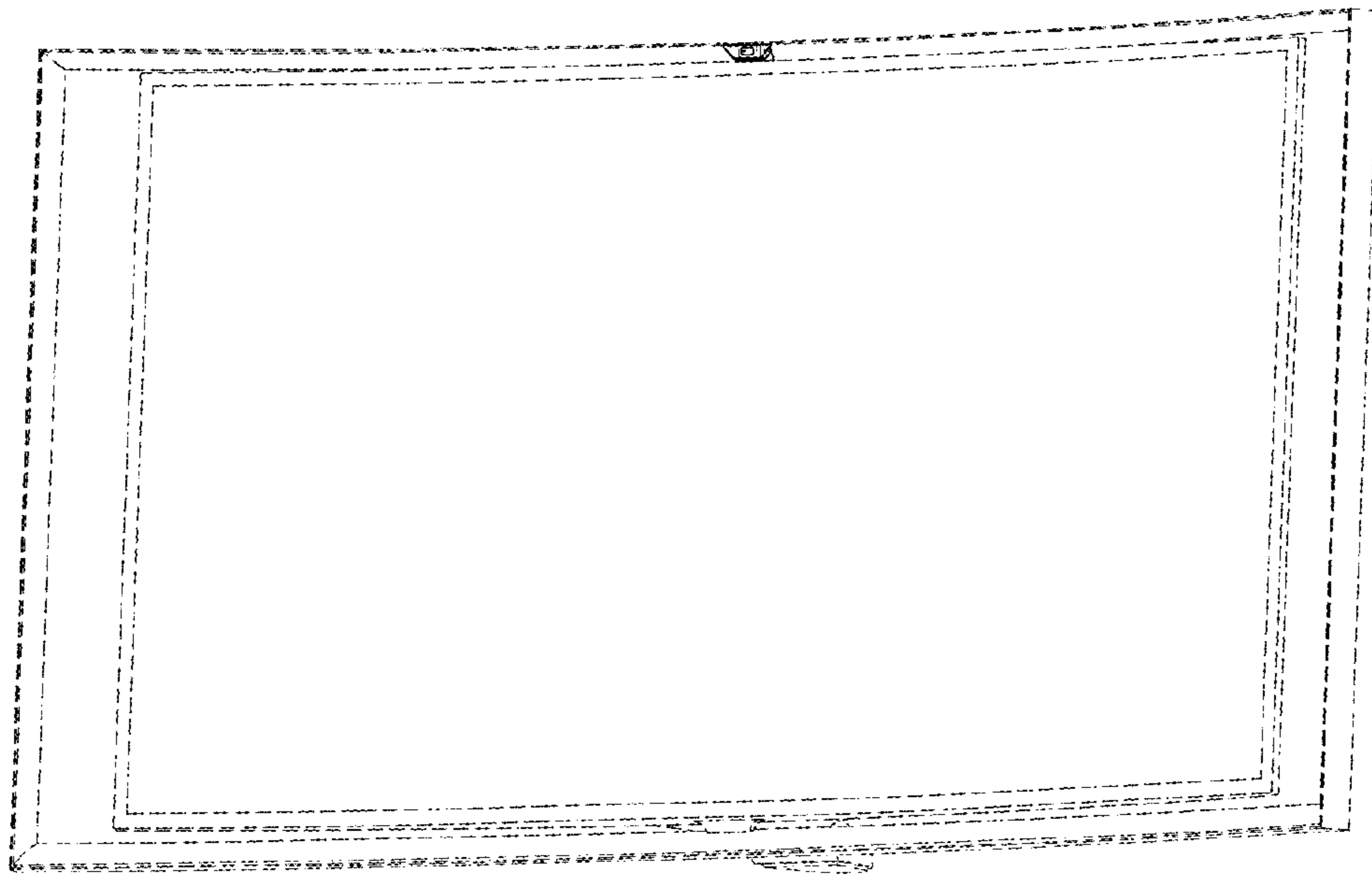


FIG. 2

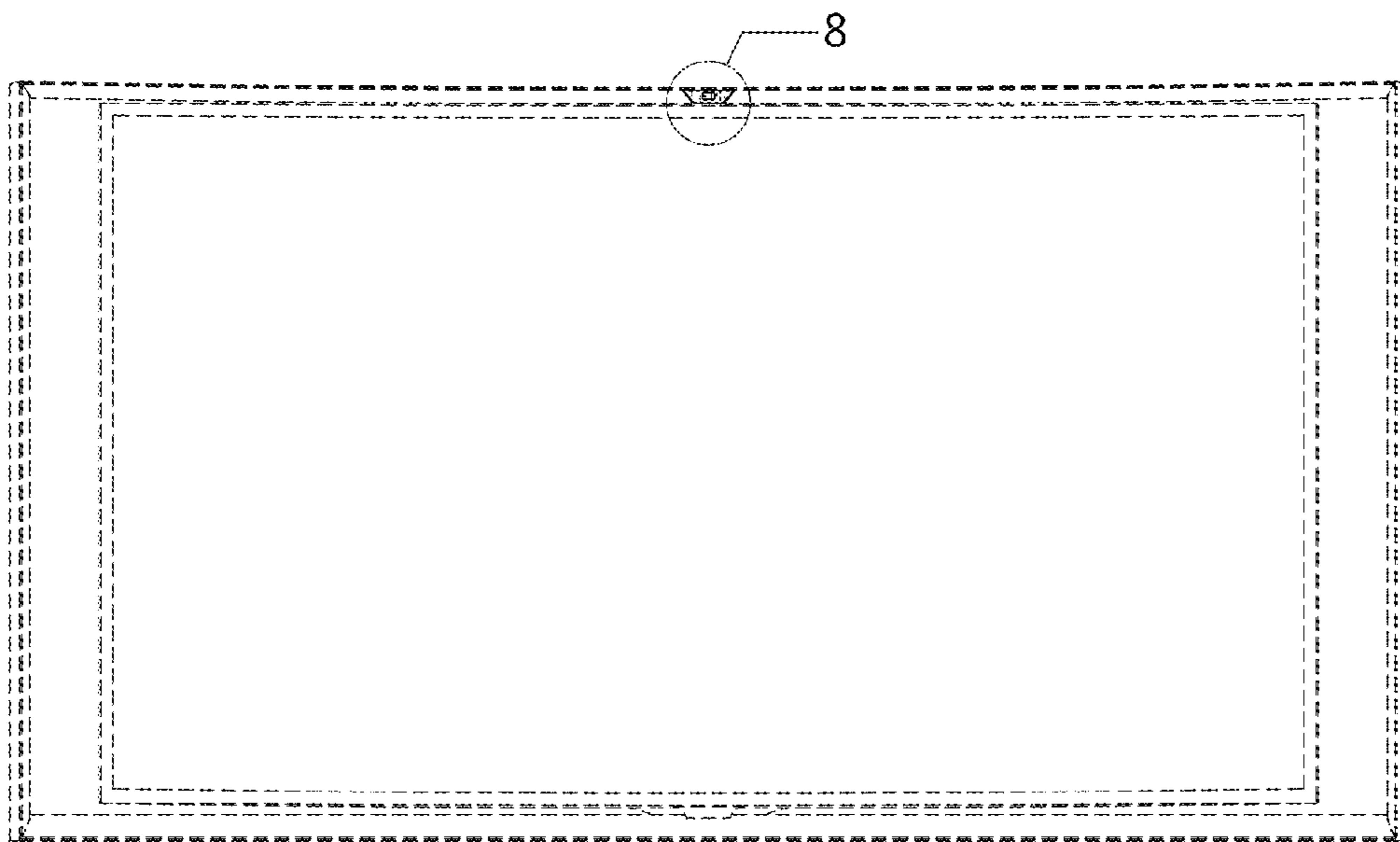


FIG. 3

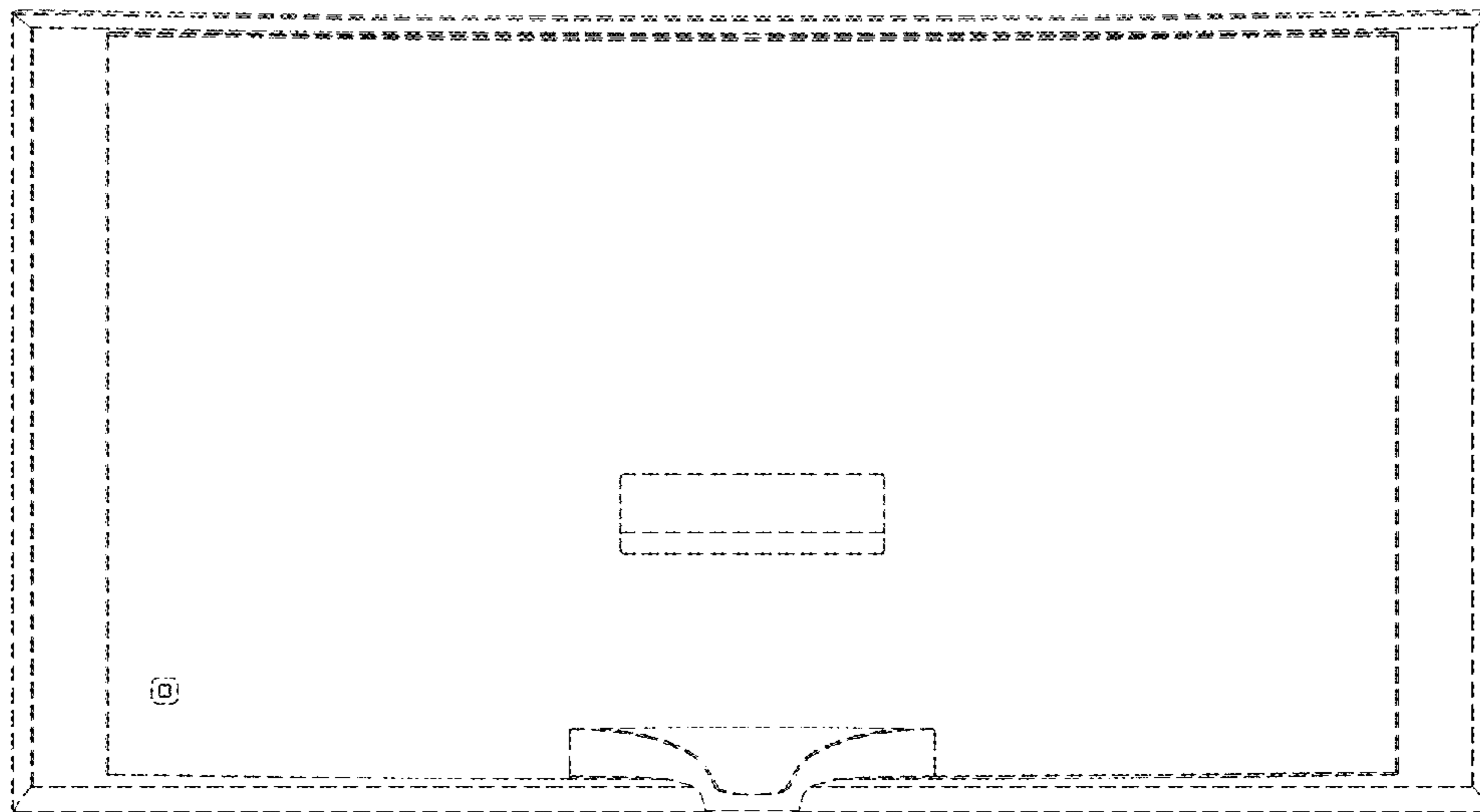


FIG. 4

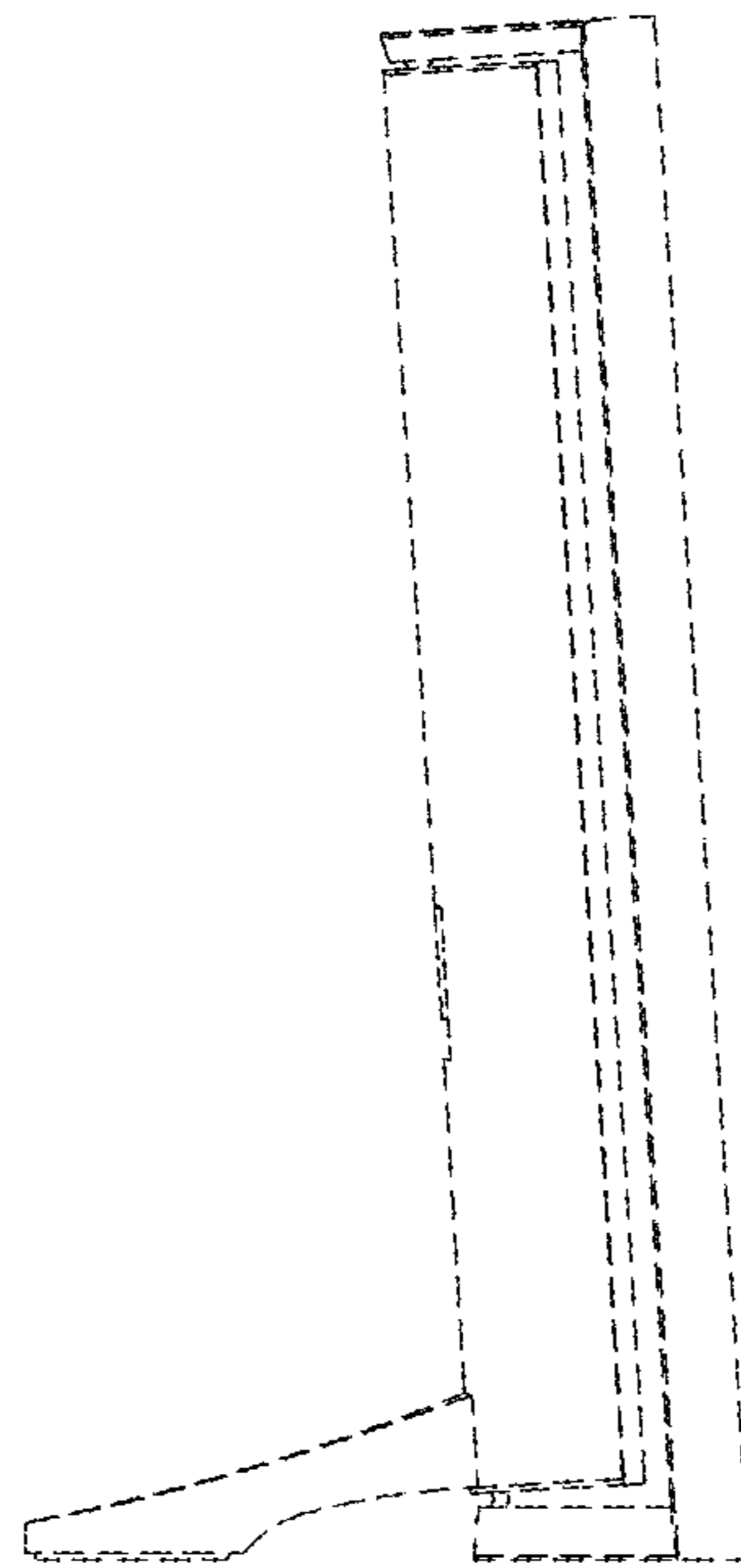


FIG. 5

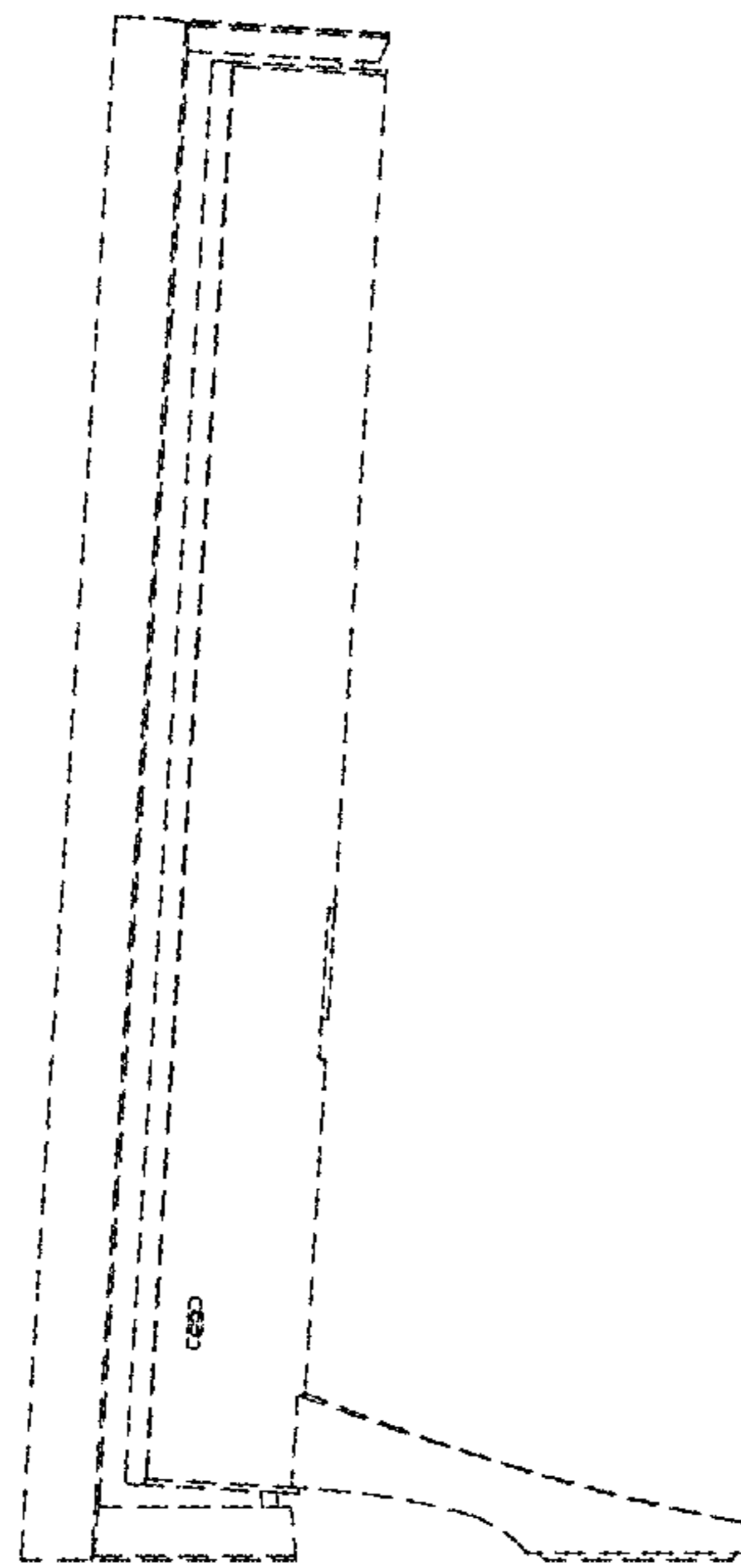


FIG. 6

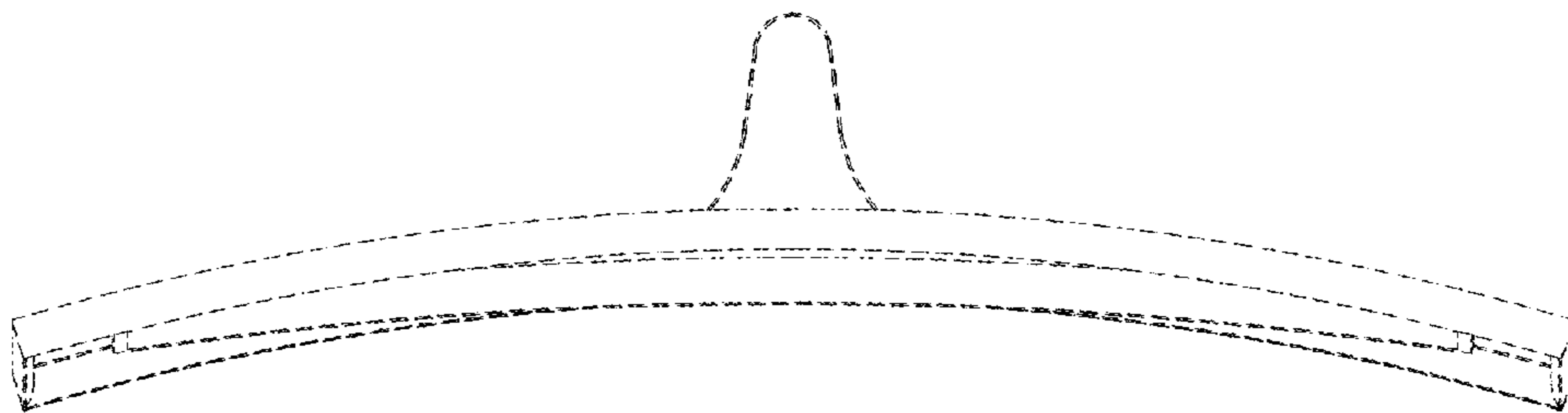


FIG. 7

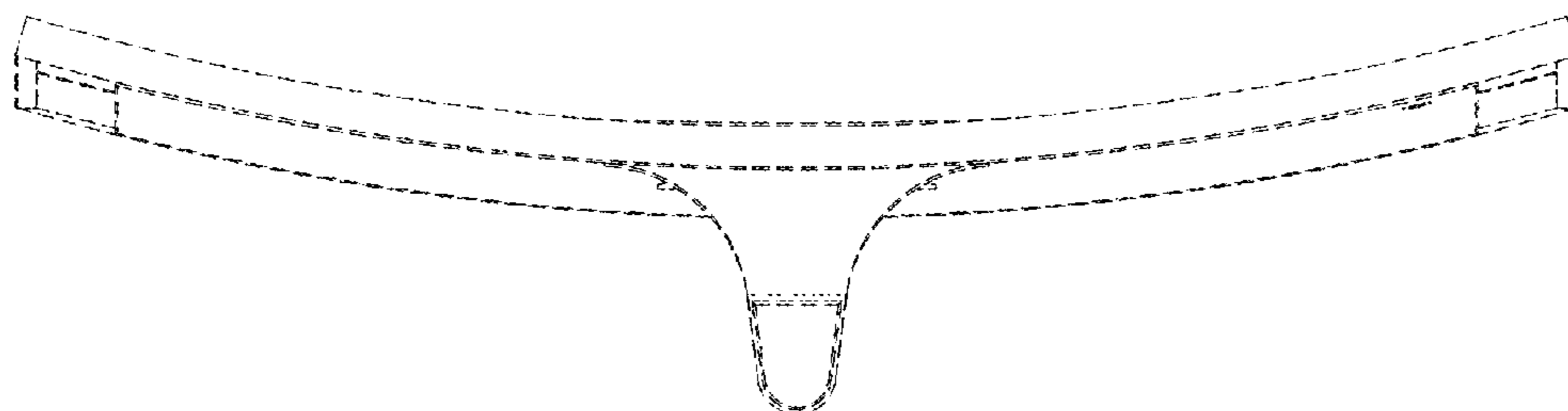


FIG. 8

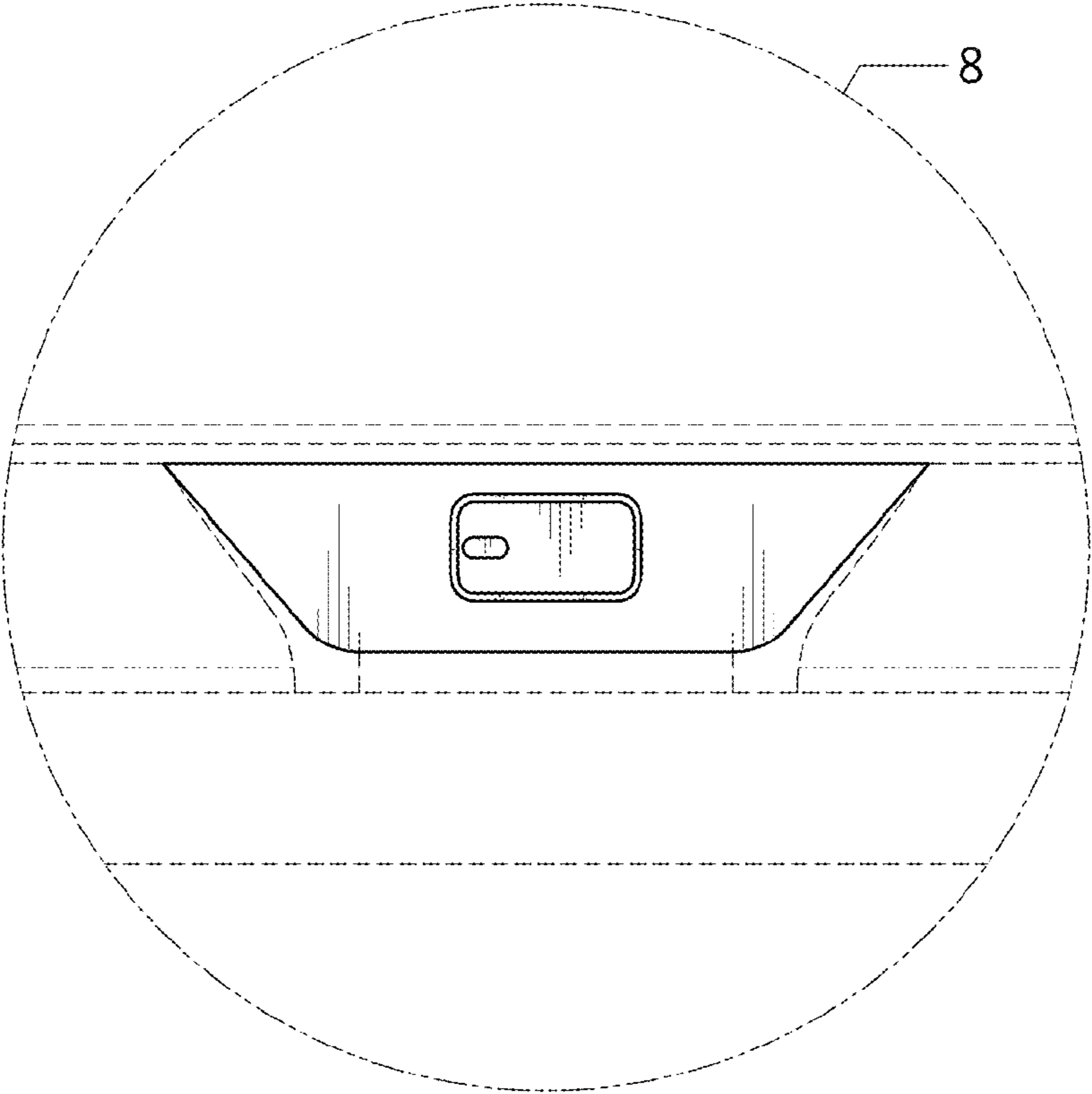


FIG. 9

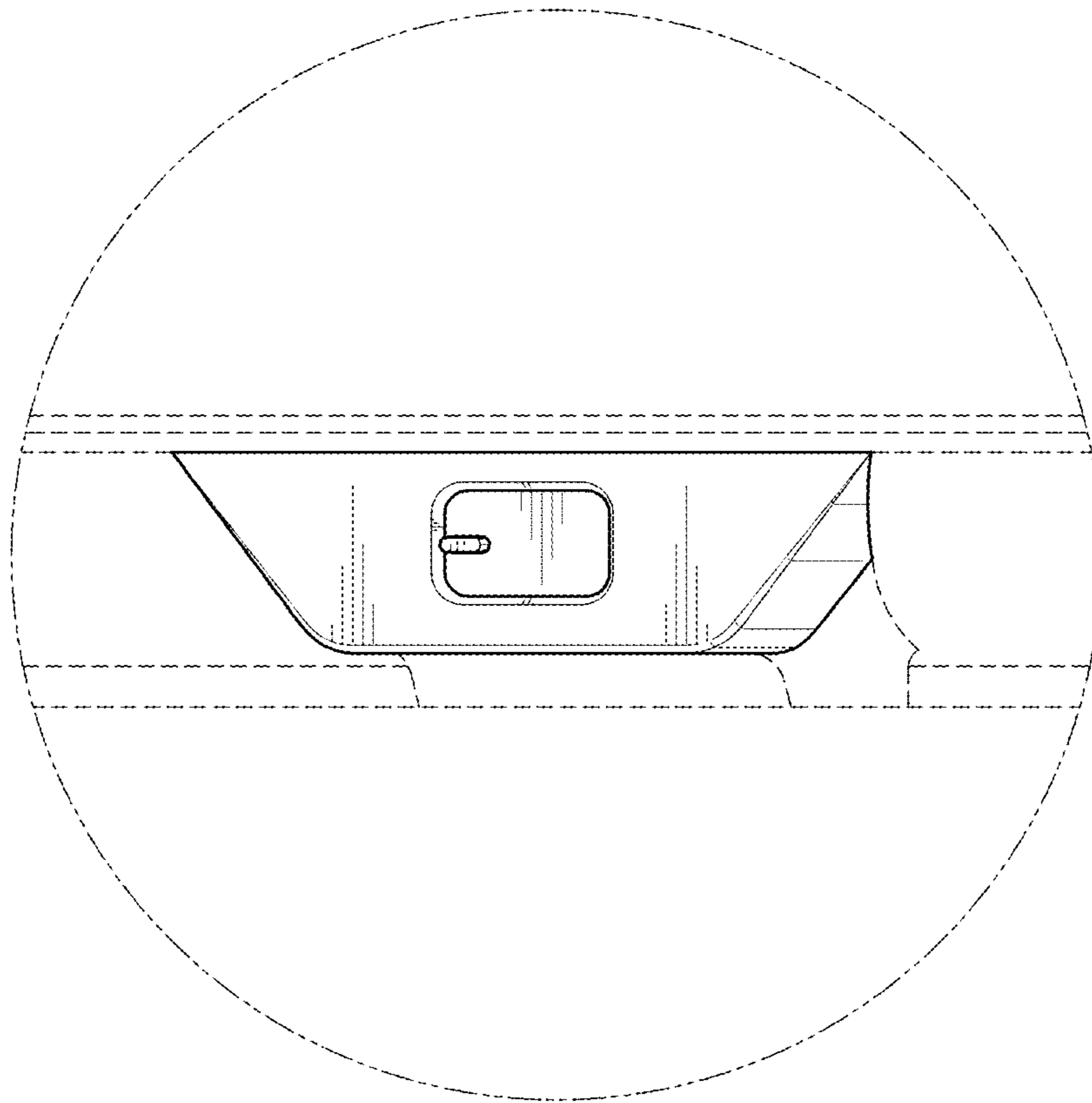


FIG. 10

