



US00D740772S

(12) **United States Design Patent**  
**Kim et al.**

(10) **Patent No.:** **US D740,772 S**  
(45) **Date of Patent:** **\*\* Oct. 13, 2015**

- (54) **TELEVISION RECEIVER**
- (71) Applicant: **LG Electronics Inc.**, Seoul (KR)
- (72) Inventors: **Taeho Kim**, Seoul (KR); **Namhun Kim**, Gyeonggi-do (KR); **Yoonkyeong Lee**, Seoul (KR); **Junki Kim**, Seoul (KR); **Ilsob Yoon**, Seoul (KR); **Dongwon Choi**, Seoul (KR); **Kyoyoon Koo**, Seoul (KR)
- (73) Assignee: **LG Electronics Inc.**, Seoul (KR)
- (\*\*) Term: **14 Years**
- (21) Appl. No.: **29/460,729**
- (22) Filed: **Jul. 15, 2013**
- (30) **Foreign Application Priority Data**

Jan. 15, 2013 (KR) ..... 30-2013-0002464

- (51) **LOC (10) Cl.** ..... **14-03**
- (52) **U.S. Cl.**  
USPC ..... **D14/126**
- (58) **Field of Classification Search**  
USPC ..... D14/125-134, 239, 371, 136, 374-377, D14/440, 450, 448, 336, 342, 159; 312/7.2; 348/836, 838, 180, 184, 325, 739; 248/917-924, 465; 345/104, 133, 156, 345/168, 87, 173; D21/329, 515, 577, 622, D21/333, 433, 448, 452, 450, 331, 505; D10/15, 26; 446/484, 175, 356; D6/477, 479, 300; D24/185; D34/14  
CPC ... G06F 1/1601; G06F 1/1643; H05K 5/0004; H05K 5/0017; H05K 5/02; H05K 5/0217  
See application file for complete search history.

- (56) **References Cited**  
U.S. PATENT DOCUMENTS

D598,405 S 8/2009 Kuramashi  
D629,373 S \* 12/2010 Kim et al. .... D14/126

D630,210 S 1/2011 Andre et al.  
D638,013 S 5/2011 Andre et al.  
D639,805 S \* 6/2011 Song et al. .... D14/341  
D645,435 S \* 9/2011 Kim et al. .... D14/138 G  
D670,257 S \* 11/2012 Yang et al. .... D14/126

(Continued)

**FOREIGN PATENT DOCUMENTS**

JP D1190838 S 11/2003  
JP D1391282 S 6/2010

(Continued)

**OTHER PUBLICATIONS**

European Community Design 000890702-0001, television sets, Apr. 4, 2008, pp. 1-3.

(Continued)

*Primary Examiner* — Raphael Barkai

(74) *Attorney, Agent, or Firm* — Morgan, Lewis & Bockius LLP

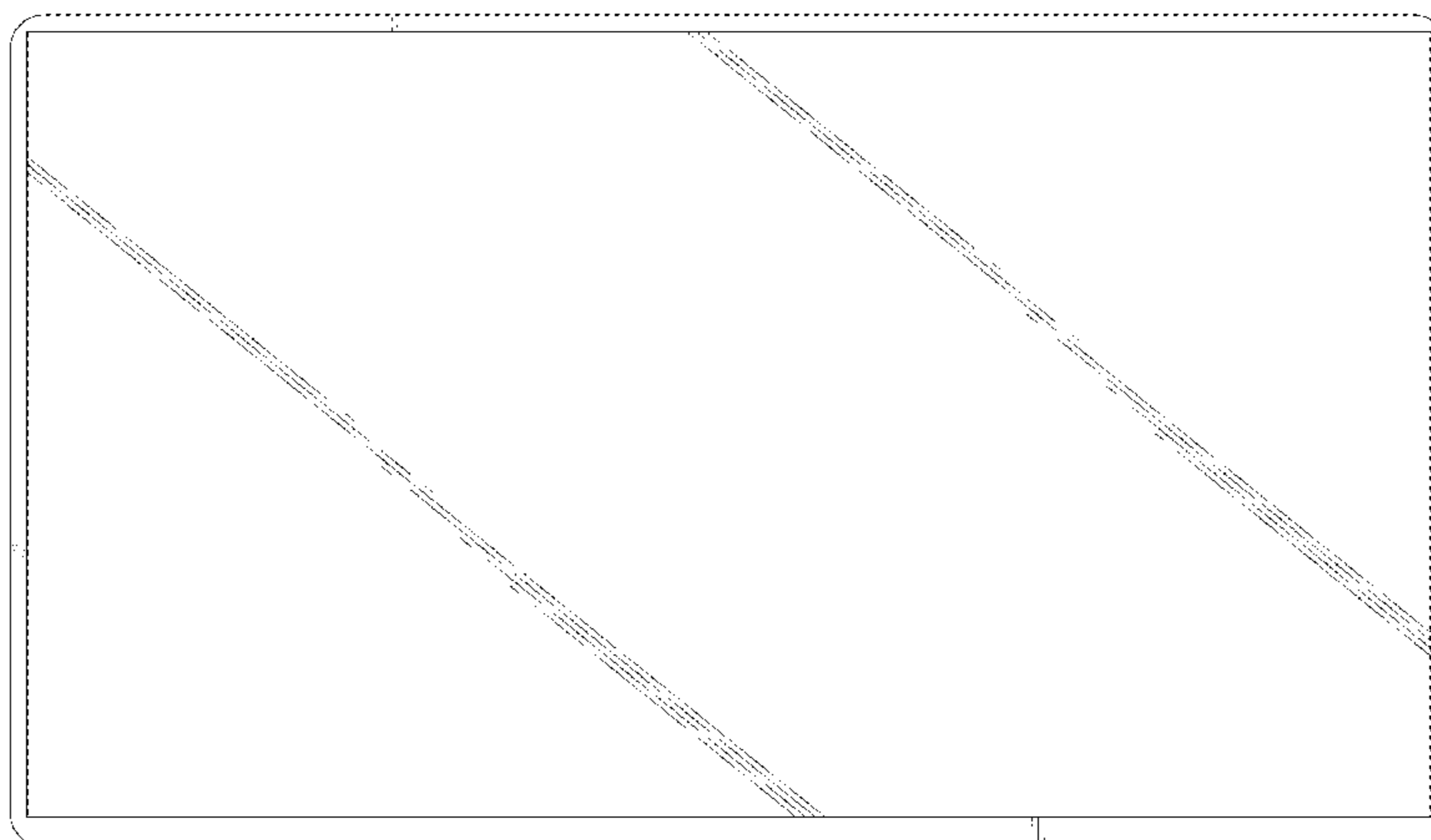
(57) **CLAIM**

The ornamental design for a television receiver, as shown and described.

**DESCRIPTION**

FIG. 1 is a perspective view of a television receiver showing our new design;  
FIG. 2 is a front view thereof;  
FIG. 3 is a rear view thereof;  
FIG. 4 is a left side view thereof where the right side view is a mirror image; and,  
FIG. 5 is a top plan view thereof where the bottom plan view is a mirror image.  
The broken lines are for illustrative purposes only and form no part of the claimed design.

**1 Claim, 5 Drawing Sheets**



(56)

**References Cited**

KR

30-0673953

12/2012

U.S. PATENT DOCUMENTS

D670,692 S \* 11/2012 Akana et al. .... D14/341  
D671,938 S 12/2012 Hsu et al.  
D699,695 S \* 2/2014 Kim et al. .... D14/126  
D716,243 S \* 10/2014 Kim et al. .... D14/126  
2004/0041504 A1\* 3/2004 Ozolins et al. .... 313/110  
2011/0151945 A1\* 6/2011 Jiang et al. .... 455/575.1

FOREIGN PATENT DOCUMENTS

JP D1391859 S 7/2010  
KR 30-0656098 8/2012

OTHER PUBLICATIONS

European Community Design 0001003412-0001, television receivers, Oct. 17, 2008, p. 1.  
European Community Design 001802752-0001, monitors, Jan. 12, 2011, pp. 1-2.  
European Community Design 002134551-0001, fake television sets, Nov. 30, 2012, pp. 1-2.  
European Community Design 001750100-001, television receivers, Jul. 12, 2011, pp. 1-2.

\* cited by examiner

FIG. 1

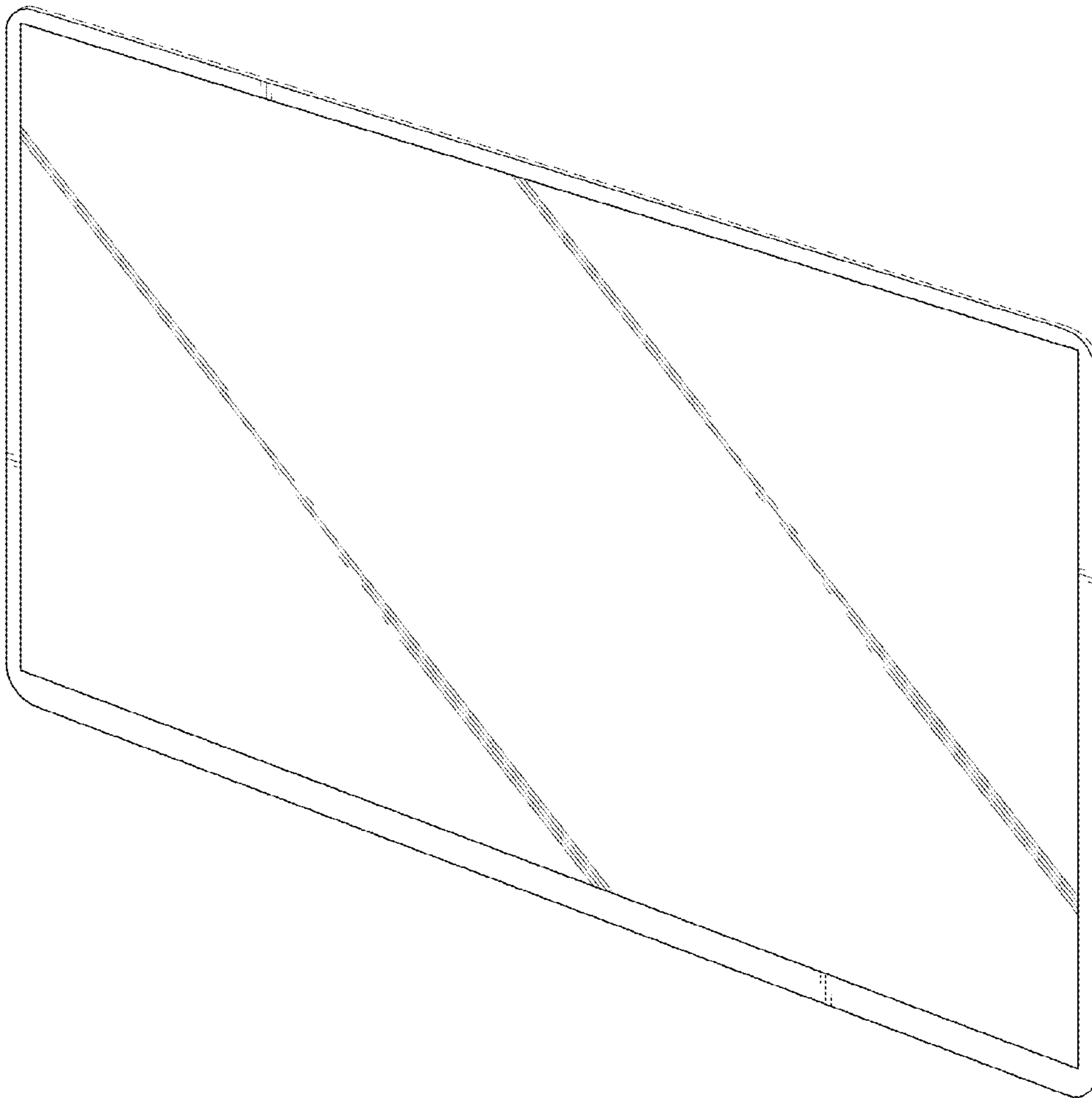
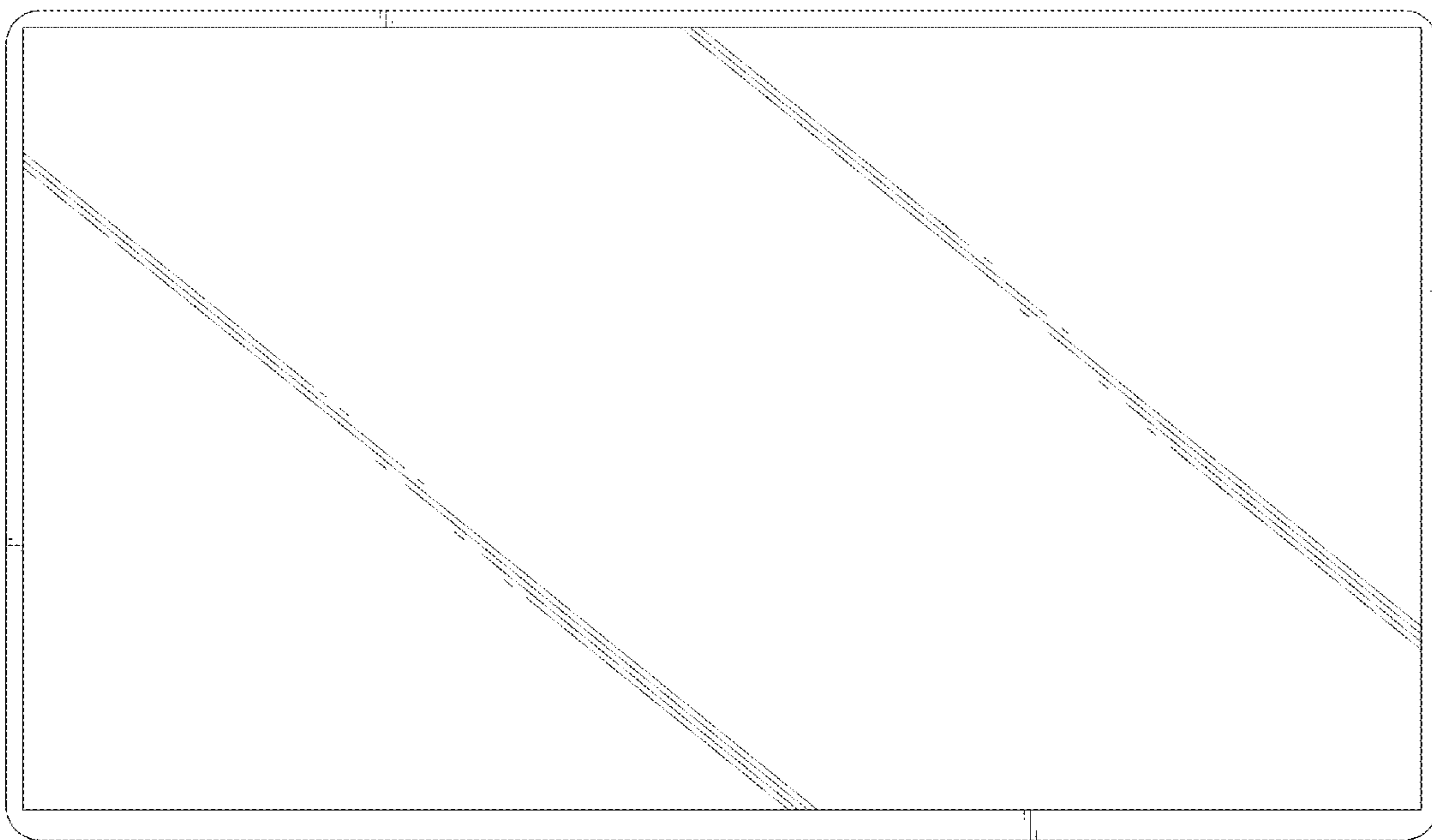


FIG. 2



**FIG. 3**

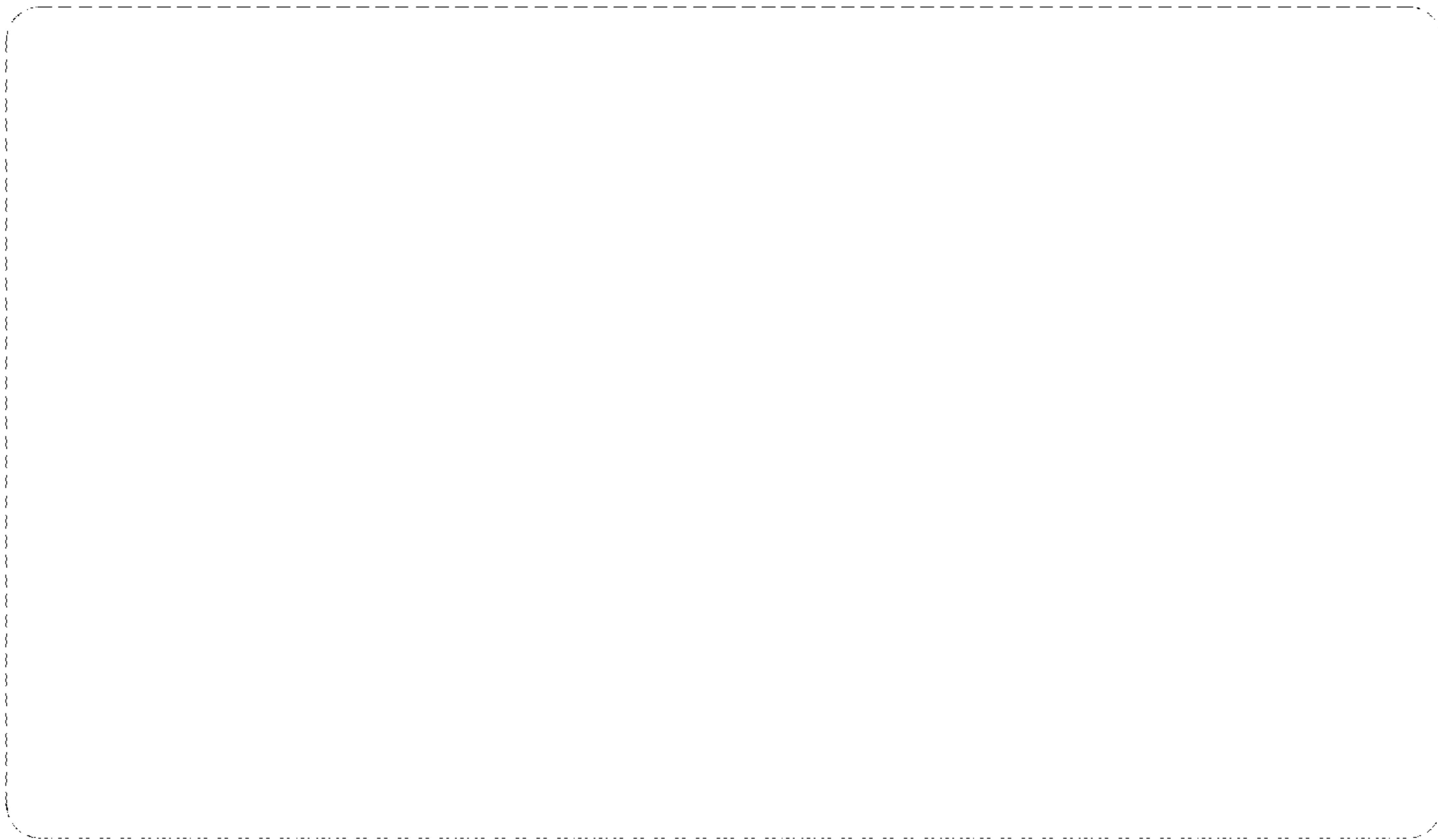


FIG. 4



**FIG. 5**

