



US00D740770S

(12) **United States Design Patent**
Won et al.

(10) **Patent No.:** **US D740,770 S**

(45) **Date of Patent:** **** Oct. 13, 2015**

(54) **SET-TOP BOX**

(56) **References Cited**

(71) Applicant: **Samsung Electronics Co., Ltd.**,
Suwon-si (KR)

(72) Inventors: **Tae Yeon Won**, Seoul (KR); **Sangyong Park**, Seoul (KR); **JinSu Park**, Seoul (KR)

U.S. PATENT DOCUMENTS

D526,648	S	*	8/2006	Andre et al.	D14/314
D568,312	S	*	5/2008	Wang et al.	D14/356
D613,283	S	*	4/2010	Andre et al.	D14/314
D616,875	S	*	6/2010	Oh et al.	D14/240
D636,357	S	*	4/2011	Kim et al.	D14/125
D650,394	S	*	12/2011	Seoc et al.	D14/496
D657,784	S	*	4/2012	Akana et al.	D14/314
D660,834	S	*	5/2012	Akana et al.	D14/314
D673,128	S	*	12/2012	Kelly et al.	D14/125
D689,859	S	*	9/2013	Kurata	D14/365
D693,808	S	*	11/2013	Kim et al.	D14/365
D697,941	S	*	1/2014	Zhang et al.	D14/496
D701,183	S	*	3/2014	Son et al.	D14/125

(73) Assignee: **Samsung Electronics Co., Ltd.**,
Suwon-si (KR)

(**) Term: **14 Years**

* cited by examiner

(21) Appl. No.: **29/486,789**

Primary Examiner — Randall Gholson

(22) Filed: **Apr. 2, 2014**

(74) *Attorney, Agent, or Firm* — NSIP Law

(30) **Foreign Application Priority Data**

(57) **CLAIM**

We claim the ornamental design for a set-top box, as shown and described.

Oct. 15, 2013 (KR) 30-2013-0052066

DESCRIPTION

(51) **LOC (10) Cl.** **14-03**

FIG. 1 is a front perspective view of a set-top box showing our new design;

(52) **U.S. Cl.**

FIG. 2 is a front view thereof;

USPC **D14/125**

FIG. 3 is a rear view thereof;

(58) **Field of Classification Search**

USPC D14/125, 357-358, 496, 188, 242, 432;

FIG. 4 is a left-side view thereof;

D13/184; 348/10, 460, 706, 731;

FIG. 5 is a right-side view thereof;

340/825.03; 455/6.1, 6.2; 312/223.1,

FIG. 6 is a top view thereof; and,

312/7.2

FIG. 7 is a bottom view thereof.

CPC H04N 21/40

The broken lines in the figures show portions of the set-top box which form no part of the claimed design.

See application file for complete search history.

The dot dash lines in the figures represent an unclaimed boundary line and form no part of the claimed design.

1 Claim, 7 Drawing Sheets

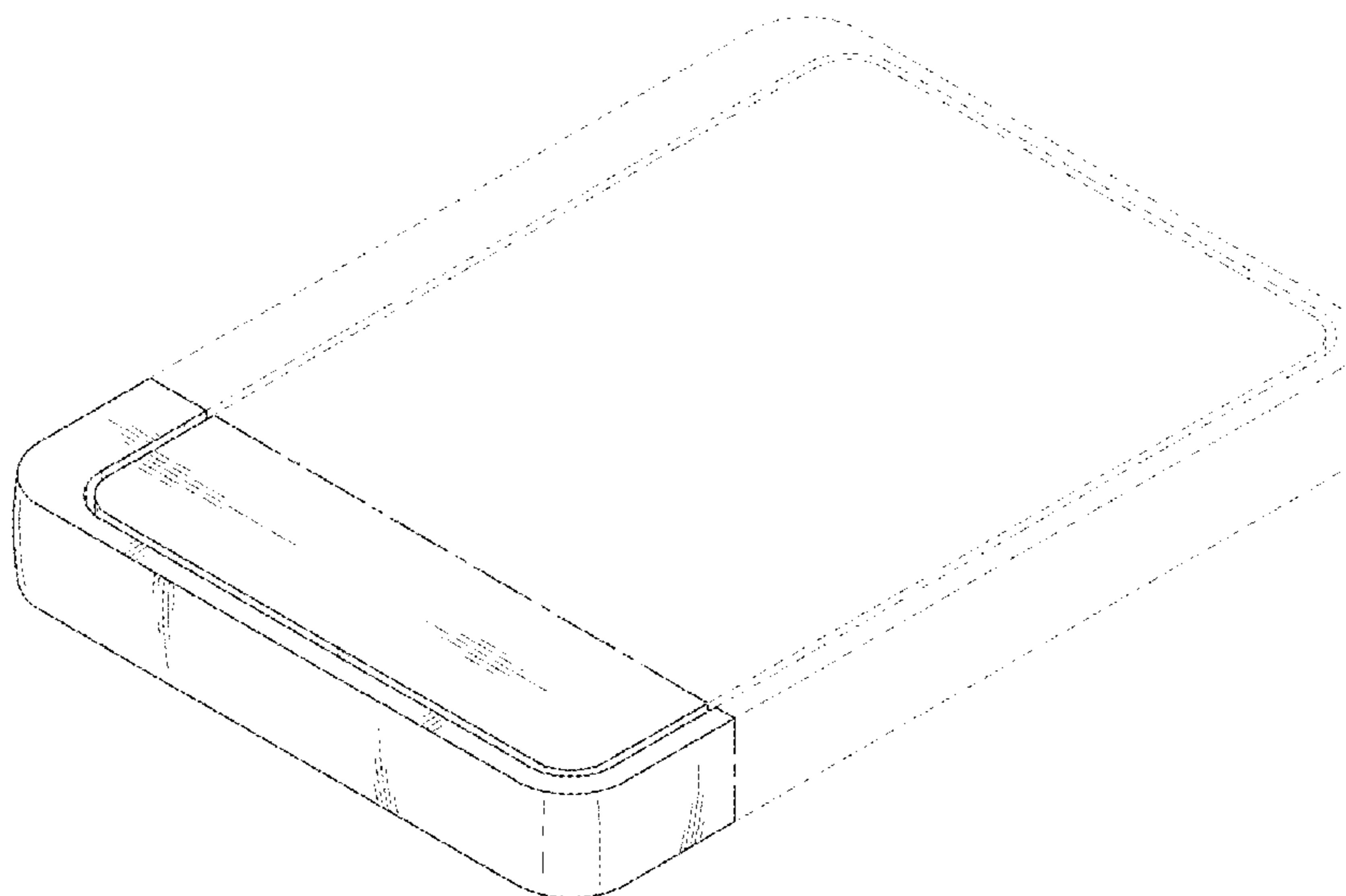


Fig. 1

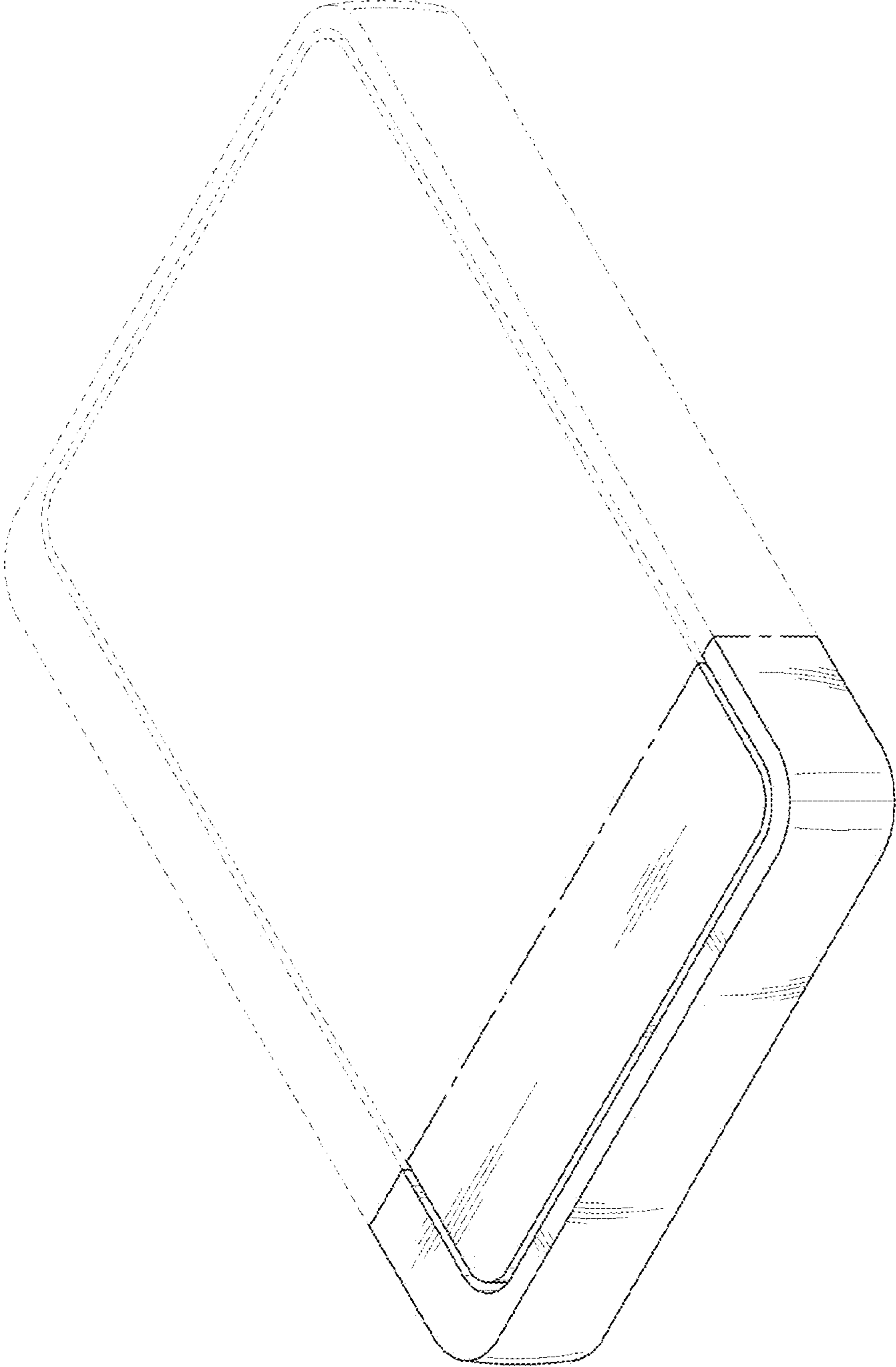


Fig. 2

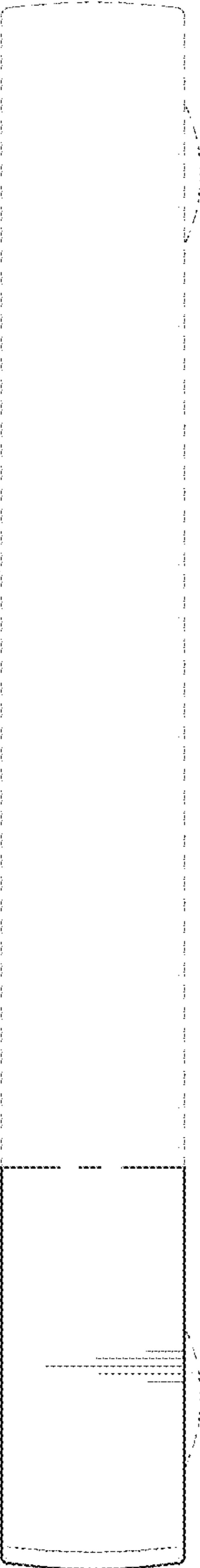


Fig. 3

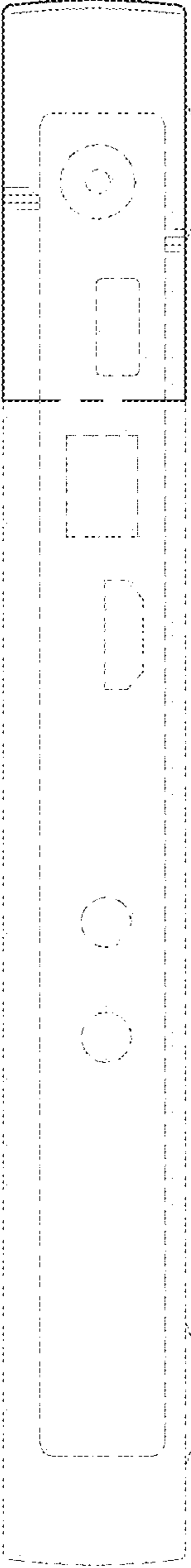


Fig. 4

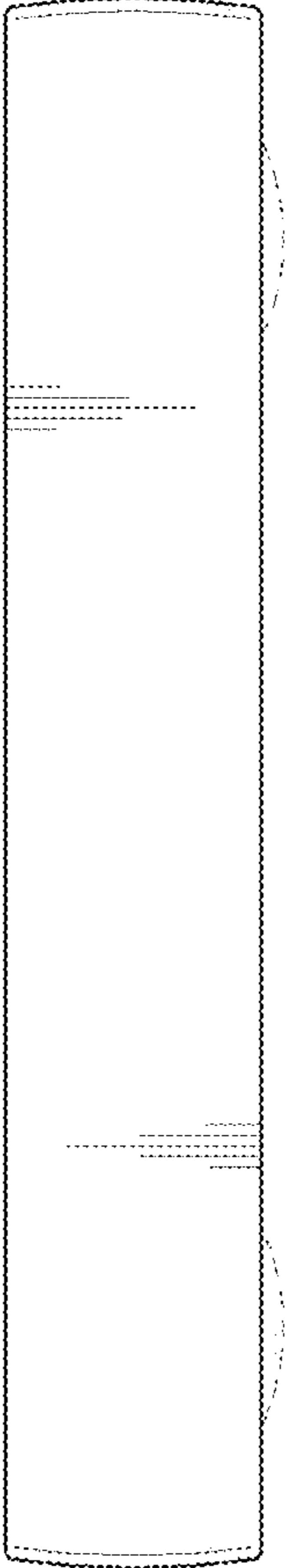


Fig. 5



Fig. 6

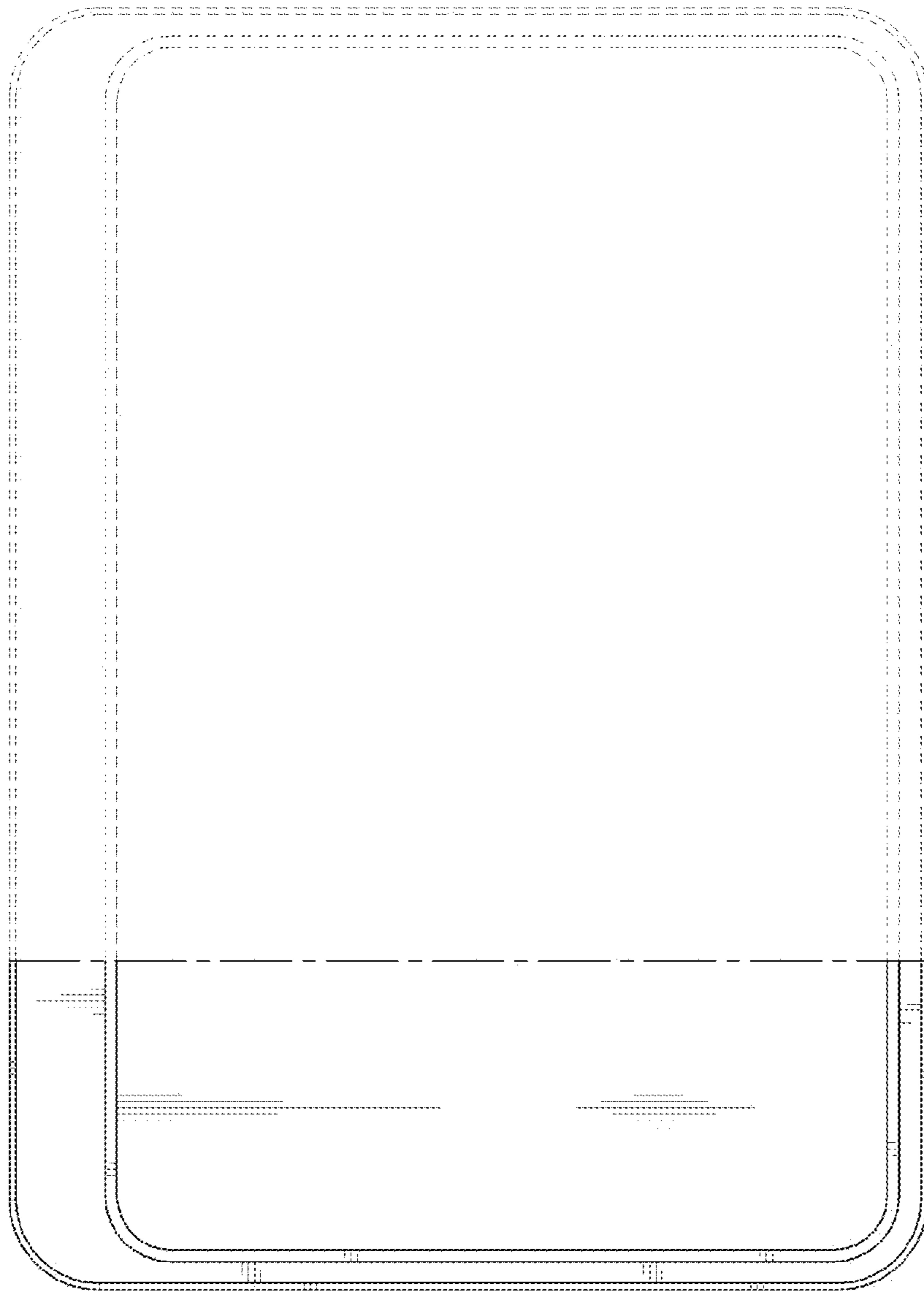


Fig. 7

