



US00D740768S

(12) **United States Design Patent**
Takeda et al.

(10) **Patent No.:** **US D740,768 S**

(45) **Date of Patent:** **** Oct. 13, 2015**

(54) **LIGHT EMITTING DIODE**

(71) Applicant: **TOYODA GOSEI CO., LTD.**,
Kiyosu-shi, Aichi-ken (JP)

(72) Inventors: **Shigeo Takeda**, Kiyosu (JP); **Tomohiro Miwa**, Kiyosu (JP); **Shota Shimonishi**, Kiyosu (JP); **Hiroyuki Tajima**, Kiyosu (JP)

(73) Assignee: **TOYODA GOSEI CO., LTD.**,
Kiyosu-Shi, Aichi-Ken (JP)

(**) Term: **14 Years**

(21) Appl. No.: **29/439,701**

(22) Filed: **Dec. 13, 2012**

(30) **Foreign Application Priority Data**

Jun. 15, 2012	(JP)	DES. 2012-014302
Jun. 15, 2012	(JP)	DES. 2012-014303
Jun. 15, 2012	(JP)	DES. 2012-014304
Jun. 15, 2012	(JP)	DES. 2012-014305

(51) **LOC (10) Cl.** **13-03**

(52) **U.S. Cl.**
USPC **D13/180**

(58) **Field of Classification Search**
USPC D13/180; D26/1; 257/79, 80, 81, 88,
257/89, 95, 98, 99, 100, E33.058; 313/483,
313/498, 500; 362/555, 800
CPC ... H01L 25/167; H01L 25/0753; H01L 27/15;
H01L 27/156; H01L 31/02; H01L 33/00;
H01L 33/04; H01L 33/08; H01L 33/10;
H01L 33/20; H01L 33/38; H01L 33/42;
H01L 33/4862; H01L 33/483; H01L 33/486

See application file for complete search history.

(56) **References Cited**

U.S. PATENT DOCUMENTS

D573,553	S *	7/2008	Uemoto et al.	D13/180
7,417,220	B2 *	8/2008	Suehiro et al.	250/239
7,479,660	B2 *	1/2009	Kobilke	257/89
D607,420	S *	1/2010	Imai et al.	D13/180

(Continued)

Primary Examiner — Selina Sikder

(74) *Attorney, Agent, or Firm* — McGinn IP Law Group, PLLC.

(57) **CLAIM**

The ornamental design for the light emitting diode, as shown and described.

DESCRIPTION

FIG. 1 is a perspective view of the light emitting diode in a first embodiment;

FIG. 2 is a front view thereof, a rear view being mirror image thereof;

FIG. 3 is a right side view thereof, a left side view being mirror image thereof;

FIG. 4 is a top plan view thereof;

FIG. 5 is a bottom view thereof;

FIG. 6 is a perspective view of the light emitting diode in a second embodiment;

FIG. 7 is a front view thereof, a rear view being mirror image thereof;

FIG. 8 is a right side view thereof, a left side view being mirror image thereof;

FIG. 9 is a top plan view thereof;

FIG. 10 is a bottom view thereof;

FIG. 11 is a perspective view of the light emitting diode in a third embodiment;

FIG. 12 is a front view thereof, a rear view being mirror image thereof;

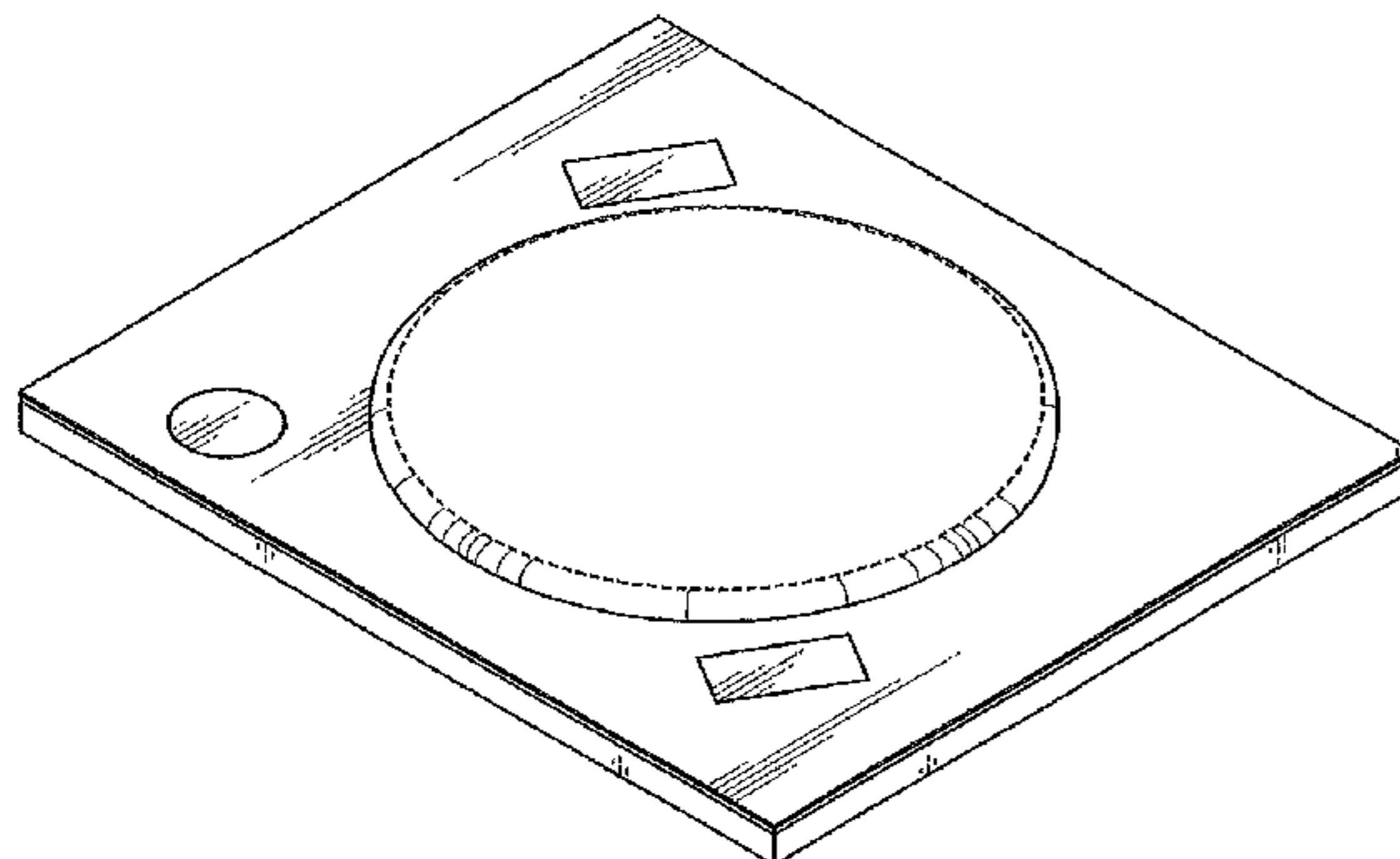
FIG. 13 is a right side view thereof, a left side view being mirror image thereof;

FIG. 14 is a top plan view thereof; and,

FIG. 15 is a bottom view thereof.

The portions of the article in broken lines are shown for illustrative purposes only and form no part of the claimed design.

1 Claim, 12 Drawing Sheets



(56)

References Cited

U.S. PATENT DOCUMENTS

D615,052 S *	5/2010	Imai et al.	D13/180	D698,322 S *	1/2014	Takeda et al.	D13/180
D615,934 S *	5/2010	Bolzan	D13/180	D700,585 S *	3/2014	Takeda et al.	D13/180
D618,635 S *	6/2010	Imai et al.	D13/180	2004/0201987 A1 *	10/2004	Omata	362/230
D624,887 S *	10/2010	Takahashi et al.	D13/180	2006/0139595 A1 *	6/2006	Koenen et al.	355/55
D636,356 S *	4/2011	Yamada	D13/180	2007/0018295 A1 *	1/2007	Kim et al.	257/678
D637,564 S *	5/2011	Tseng et al.	D13/180	2008/0106723 A1 *	5/2008	Hoogendam et al.	355/77
D650,760 S *	12/2011	Hussell et al.	D13/180	2008/0239318 A1 *	10/2008	Den Boef et al.	356/369
D667,803 S *	9/2012	Hussell et al.	D13/180	2009/0122514 A1 *	5/2009	Yoon et al.	362/84
D669,041 S *	10/2012	Imai et al.	D13/180	2010/0096642 A1 *	4/2010	Chang et al.	257/88
D683,708 S *	6/2013	Sasano et al.	D13/180	2010/0139836 A1 *	6/2010	Horikoshi	156/64
D689,451 S *	9/2013	Shimonishi et al.	D13/180	2011/0121323 A1 *	5/2011	Wu et al.	257/88
				2012/0193651 A1 *	8/2012	Edmond et al.	257/88
				2012/0299022 A1 *	11/2012	Hussell	257/88
				2013/0058099 A1 *	3/2013	Shum et al.	362/294

* cited by examiner

Fig. 1

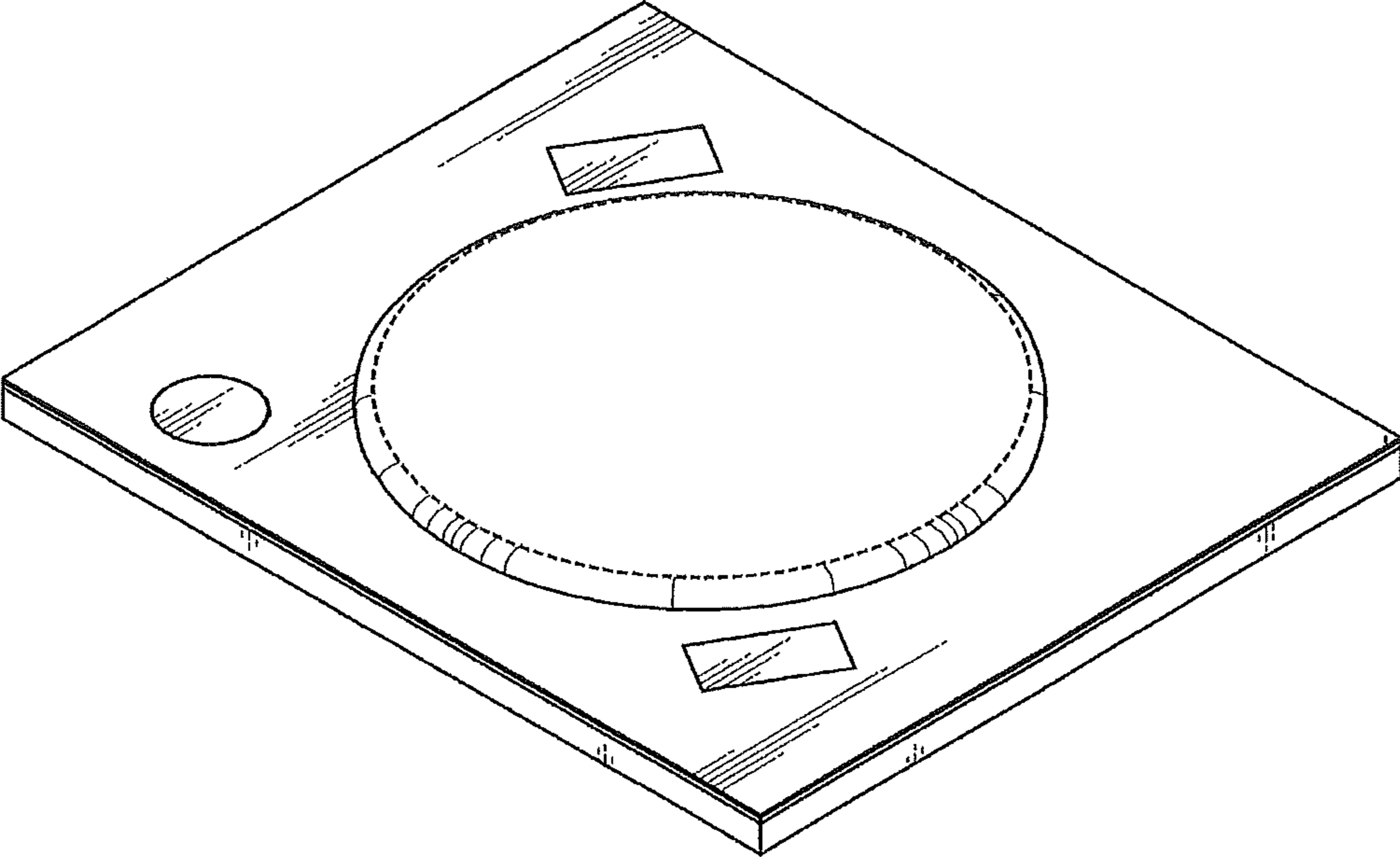


Fig. 2



Fig. 3

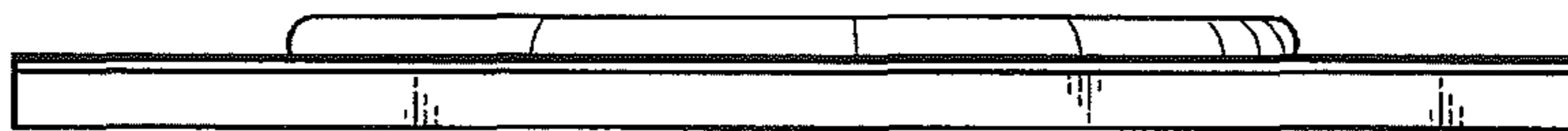


Fig. 4

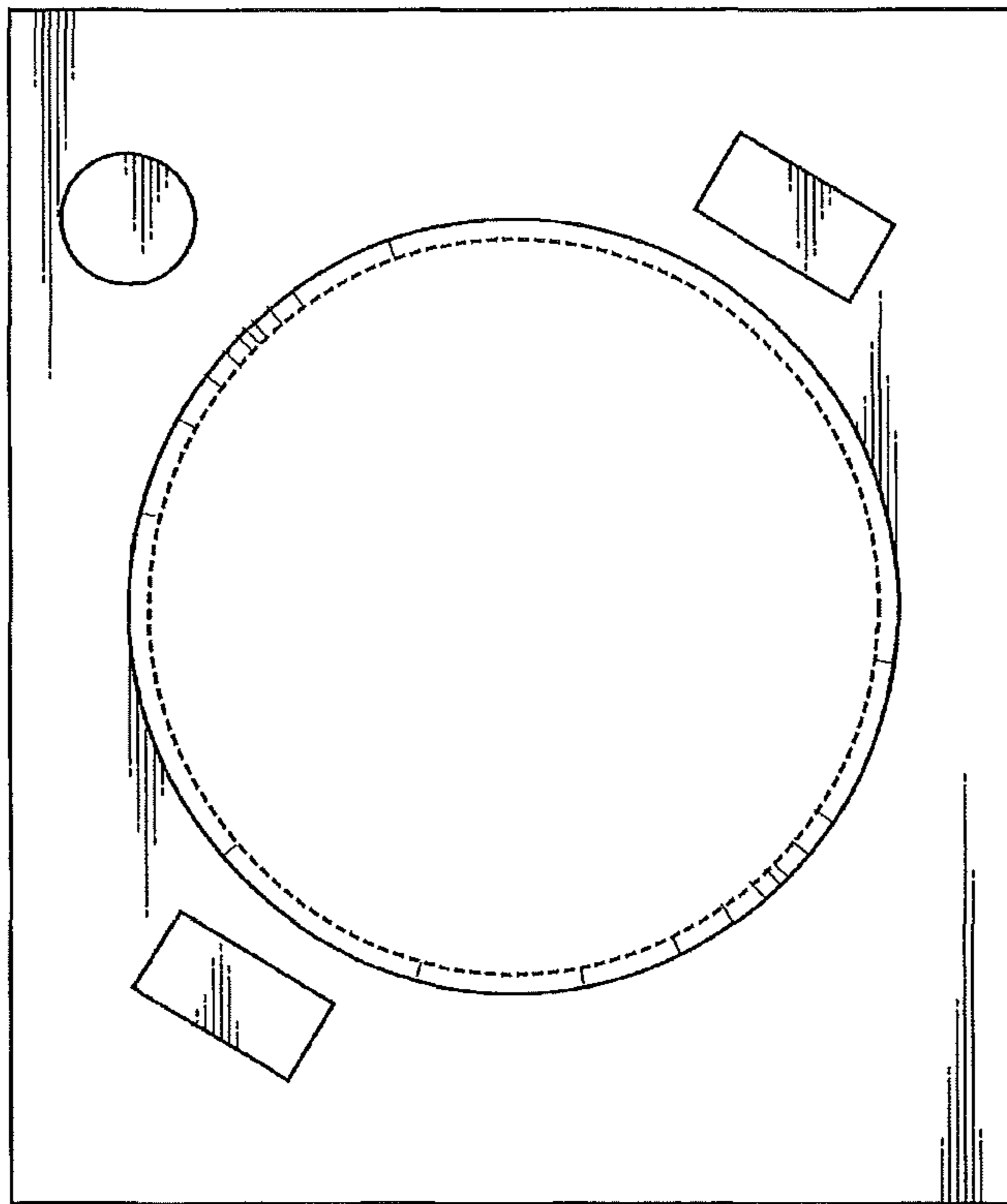


Fig. 5

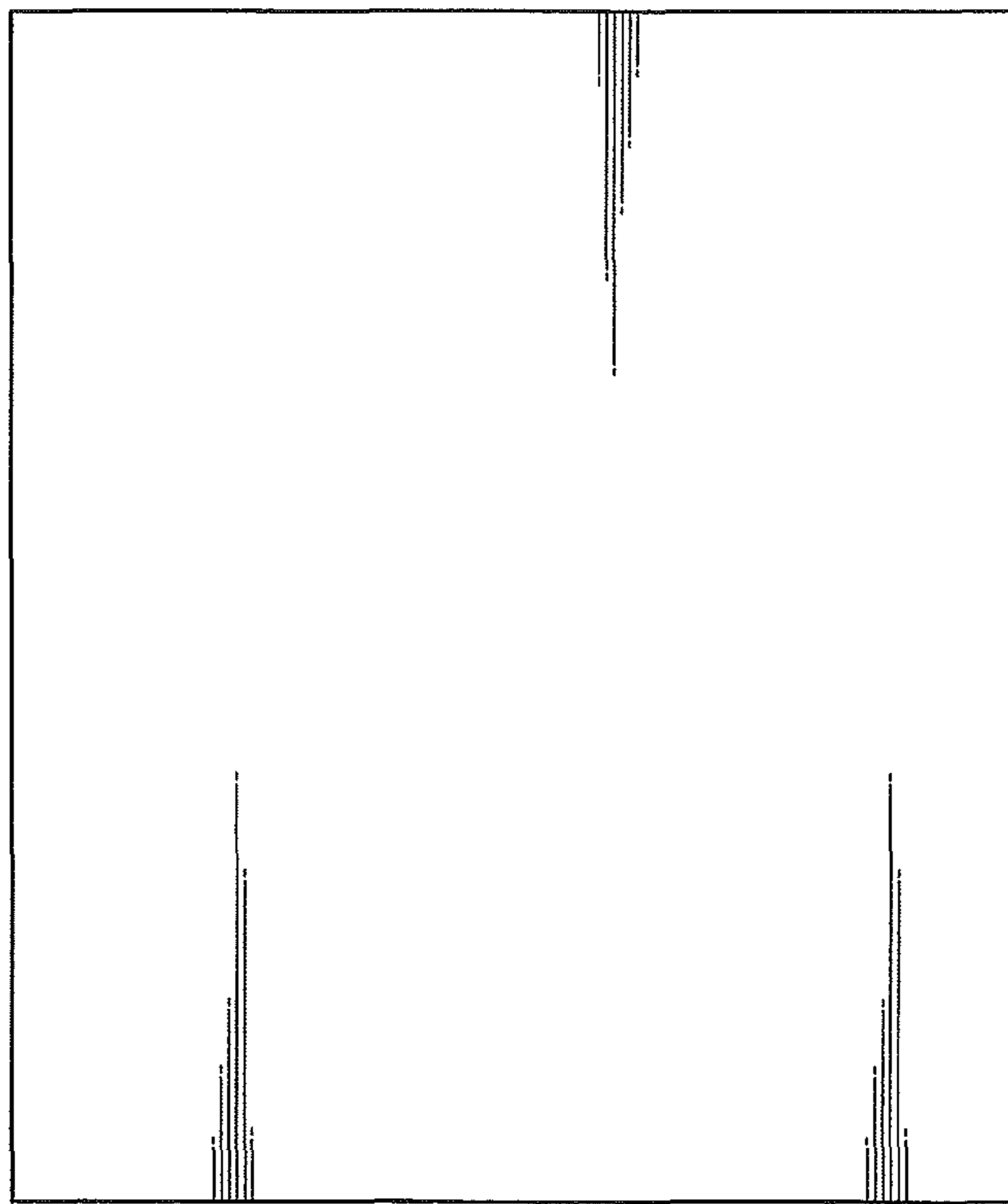


Fig. 6

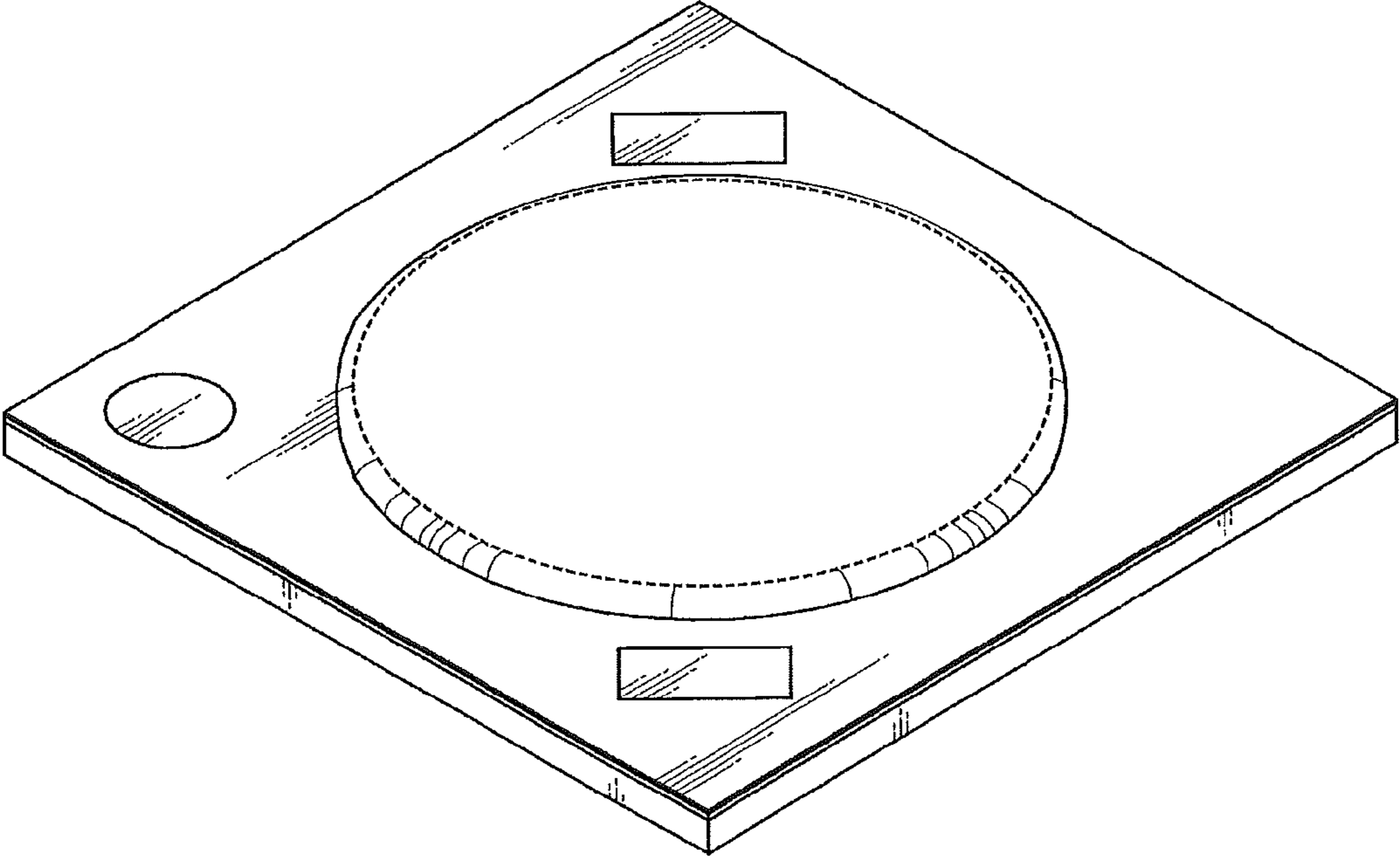


Fig. 7

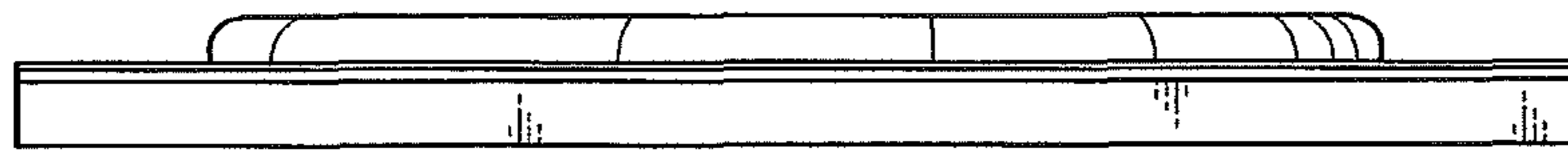


Fig. 8

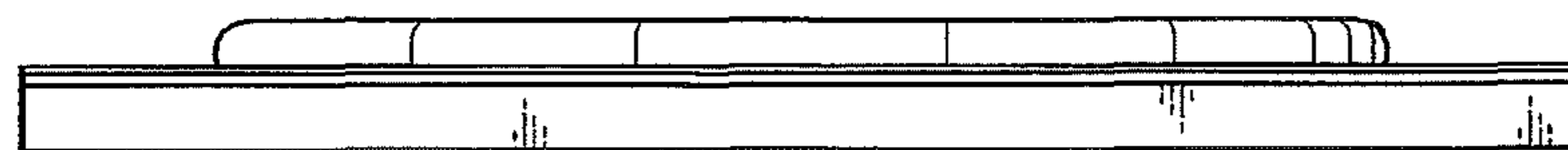


Fig. 9

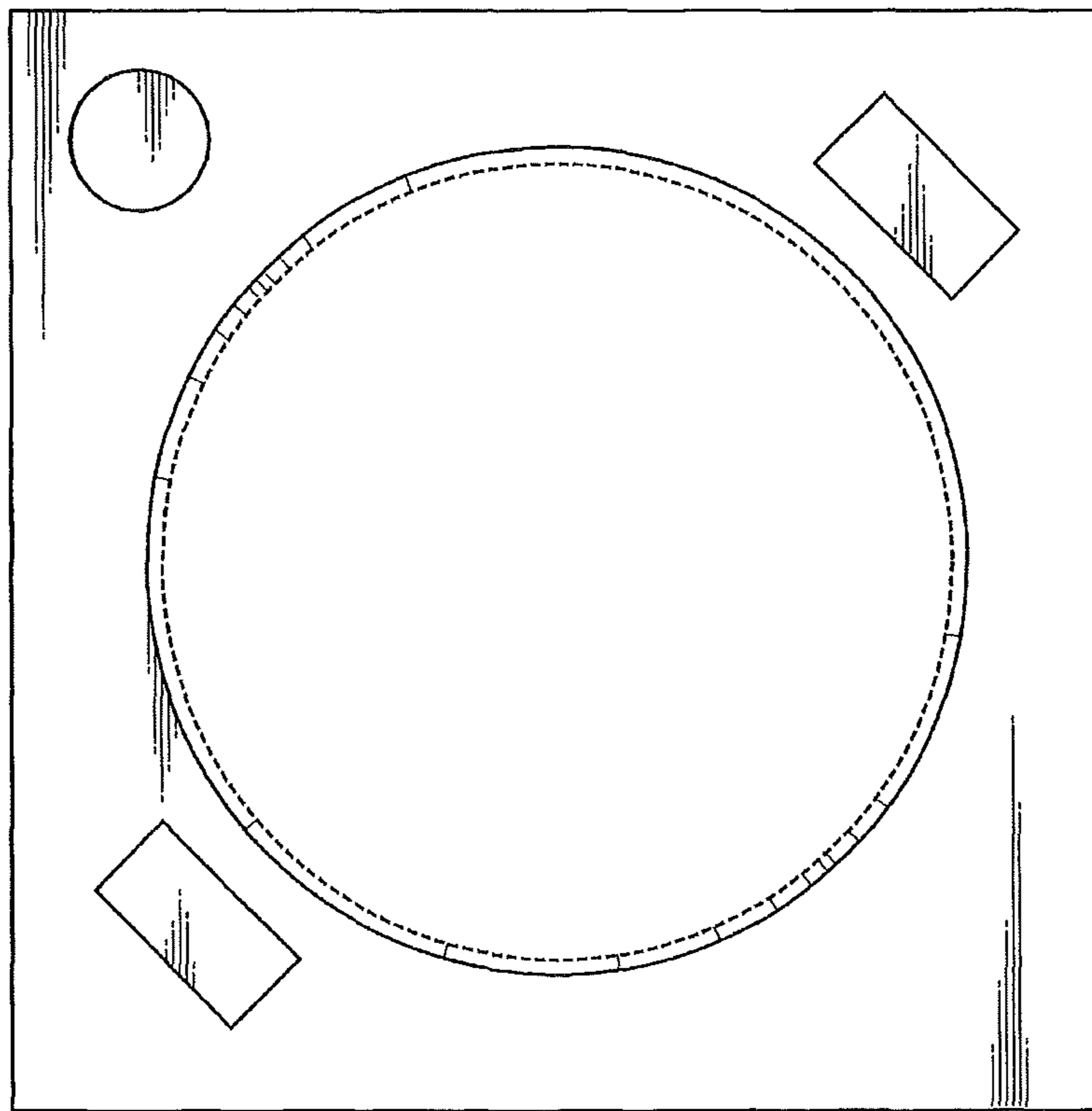


Fig. 10

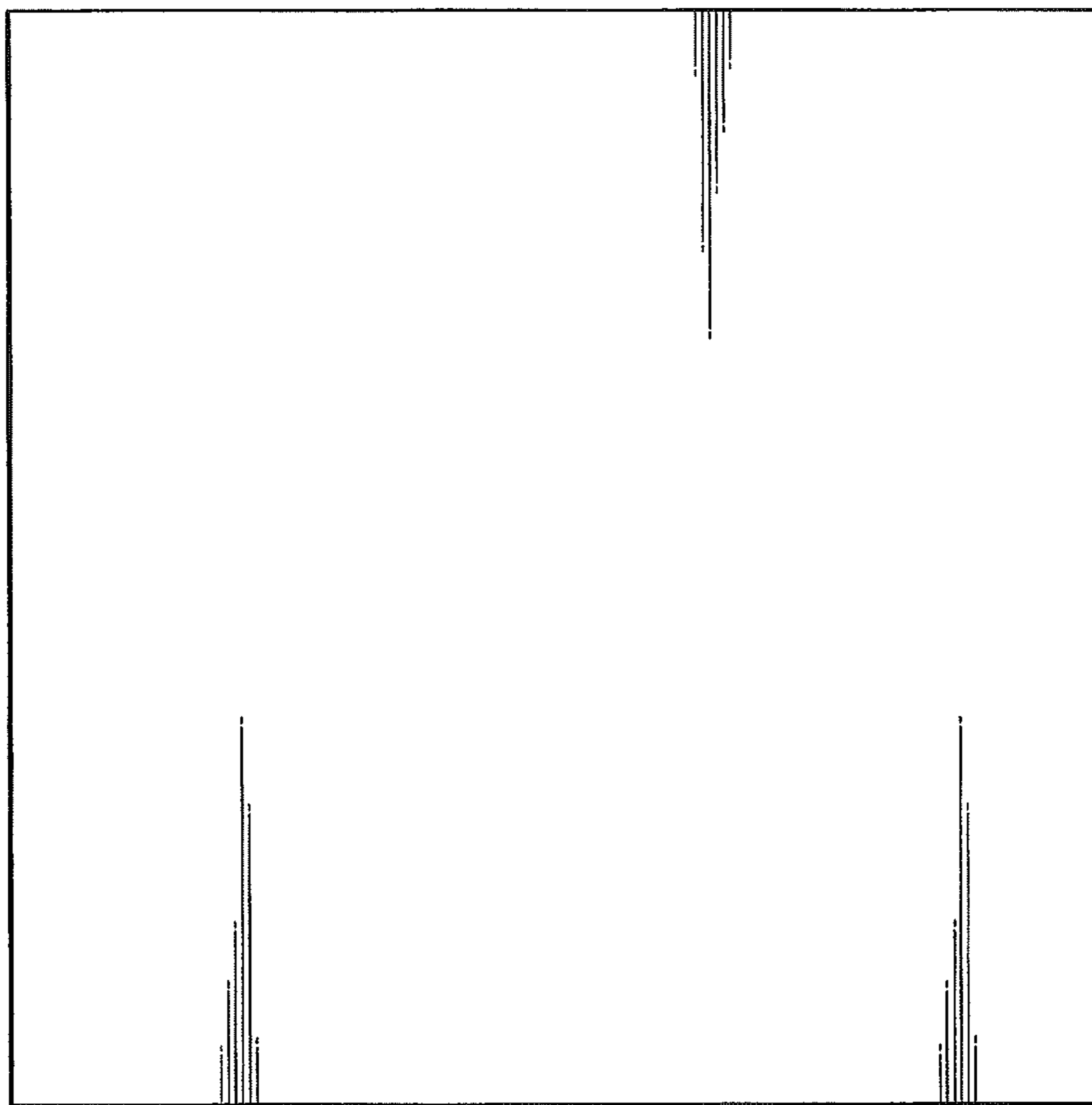


Fig. 11

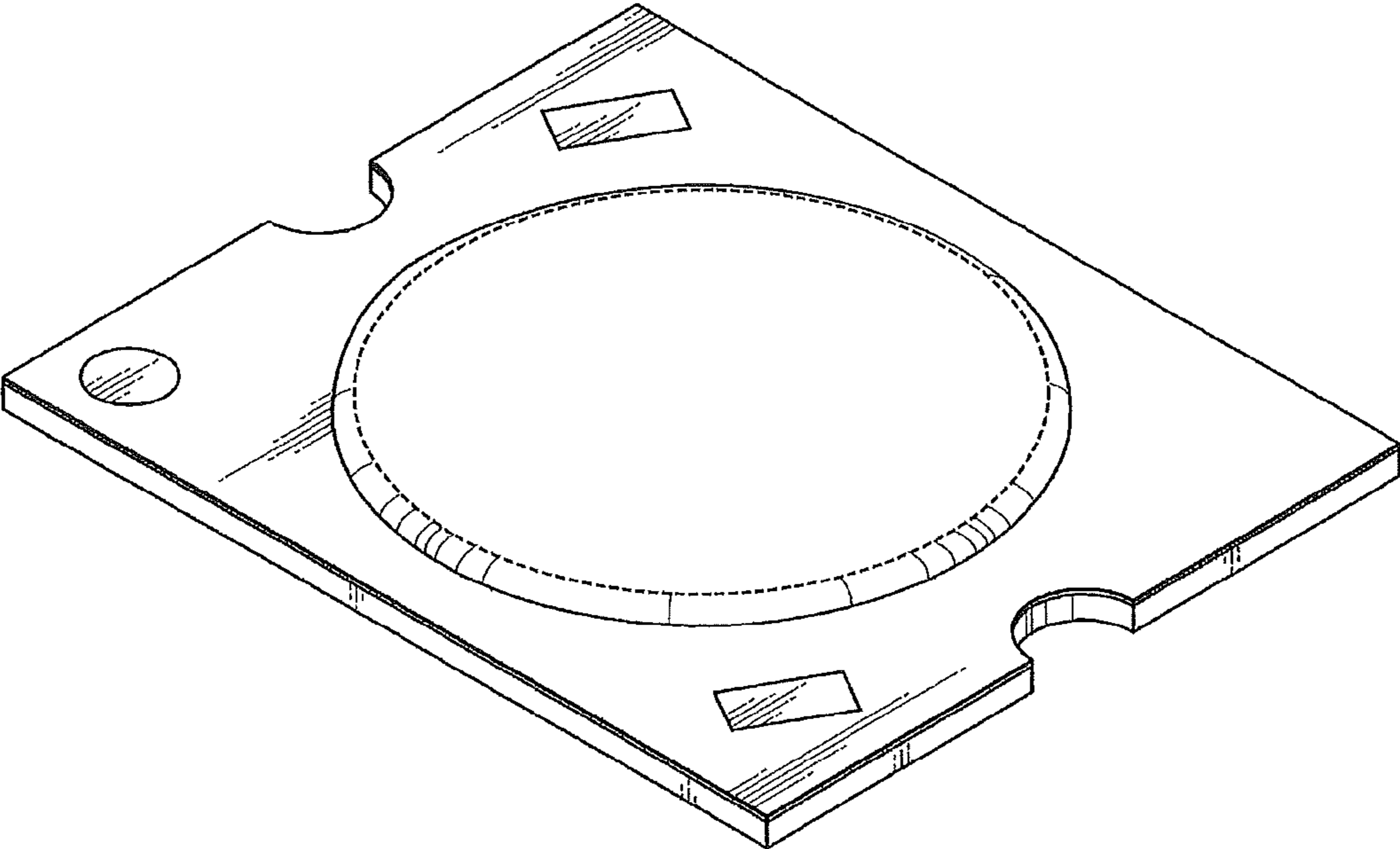


Fig. 12

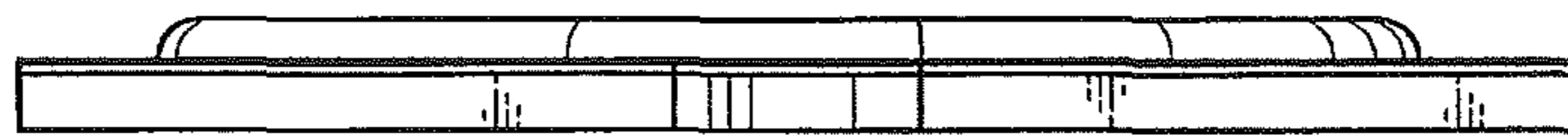


Fig. 13

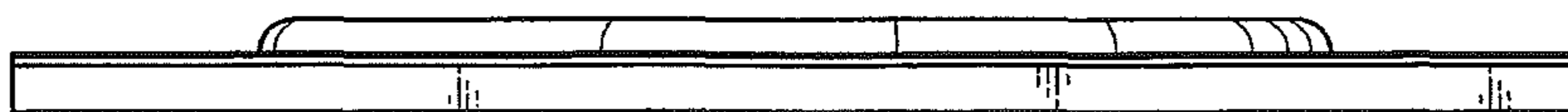


Fig. 14

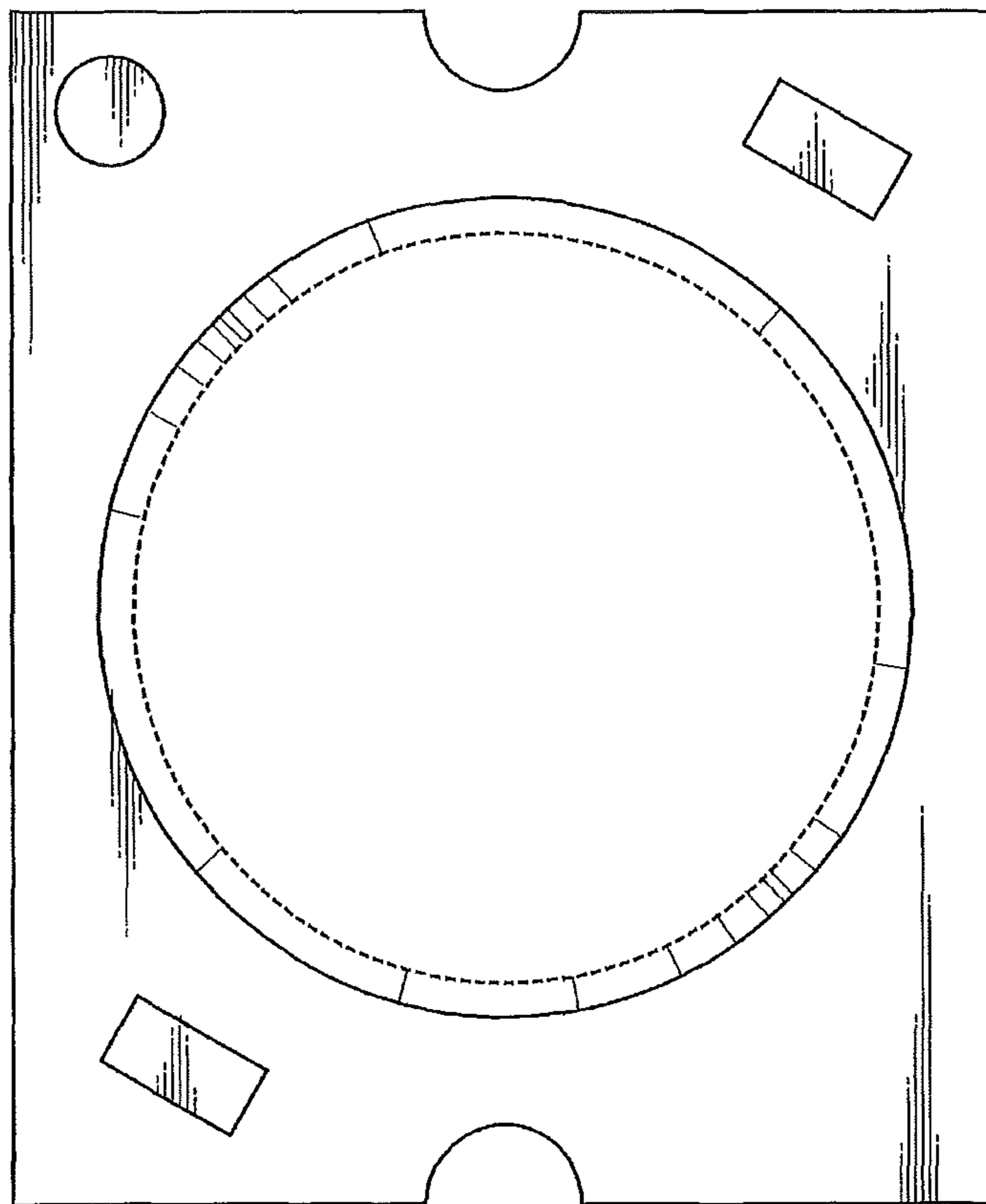


Fig. 15

