



US00D740766S

(12) **United States Design Patent**  
**Falkenberg et al.**

(10) **Patent No.:** **US D740,766 S**  
(45) **Date of Patent:** **\*\* Oct. 13, 2015**

(54) **ELECTRICAL CONTROL INTERFACE**

6,005,308 A \* 12/1999 Bryde et al. .... 307/157  
D472,525 S \* 4/2003 Barone ..... D13/169  
6,909,060 B1 \* 6/2005 Shotey et al. .... 200/333  
D513,607 S \* 1/2006 Lombardi et al. .... D13/169

(71) Applicant: **Pass & Seymour, Inc.**, Syracuse, NY  
(US)

(Continued)

(72) Inventors: **Keith A. Falkenberg**, Skaneateles, NY  
(US); **Theodore Junko**, Manlius, NY  
(US); **Gerald R. Savicki, Jr.**, Canastota,  
NY (US)

*Primary Examiner* — Selina Sikder

(74) *Attorney, Agent, or Firm* — Daniel P. Malley; Bond  
Schoeneck & King, PLLC

(73) Assignee: **Pass & Seymour, Inc.**, Syracuse, NY  
(US)

(57) **CLAIM**

The ornamental design for an electrical control interface, as  
shown and described.

(\*\*) Term: **14 Years**

**DESCRIPTION**

(21) Appl. No.: **29/477,371**

(22) Filed: **Dec. 20, 2013**

(51) **LOC (10) Cl.** ..... **13-03**

(52) **U.S. Cl.**  
USPC ..... **D13/169**

(58) **Field of Classification Search**

USPC ..... D13/162, 164, 169, 17; 174/66;  
200/5 R, 5 A, 1 B, 293, 296, 329, 406,  
200/513, 520, 530, 302.1, 302.2, 314, 315,  
200/341, 344; 338/198–200; 307/112, 115,  
307/125, 139, 157  
CPC ..... H01H 9/02; H01H 9/0271; H01H 9/16;  
H01H 9/18; H01H 9/161; H01H 9/181;  
H01H 9/182; H01H 13/04; H01H 13/14;  
H01H 13/20; H01H 13/30; H01H 19/635;  
H01H 23/00; H01H 23/02; H01H 23/025;  
H01H 23/04; H01H 23/145; H01H 23/148;  
H01H 23/205; H01H 23/30; H05B 33/0803;  
H05B 33/0863; H05B 37/02; H05B 37/0254;  
H05B 37/0272; H05B 39/02; H05B 39/04;  
H05B 39/085; H05B 39/086; H05B 39/088  
See application file for complete search history.

FIG. 1 is a front isometric view of the first embodiment of the  
electrical control interface showing our new design;  
FIG. 2 is a front elevation view of the design depicted in FIG.  
1;  
FIG. 3 is a front elevation view of the design depicted in FIG.  
1;  
FIG. 4 is a left side elevation view of the design depicted in  
FIG. 1;  
FIG. 5 is a right side elevation view of the design depicted in  
FIG. 1;  
FIG. 6 is an end elevation view of the design depicted in FIG.  
1;  
FIG. 7 is a front isometric view of the second embodiment of  
the electrical control interface;  
FIG. 8 is a front elevation view of the design depicted in FIG.  
7;  
FIG. 9 is a front elevation view of an alternate embodiment of  
the design depicted in FIG. 7;  
FIG. 10 is a left side elevation view of the design depicted in  
FIG. 7;  
FIG. 11 is a right side elevation view of the design depicted in  
FIG. 7; and,  
FIG. 12 is an end elevation view of the design depicted in FIG.  
7.

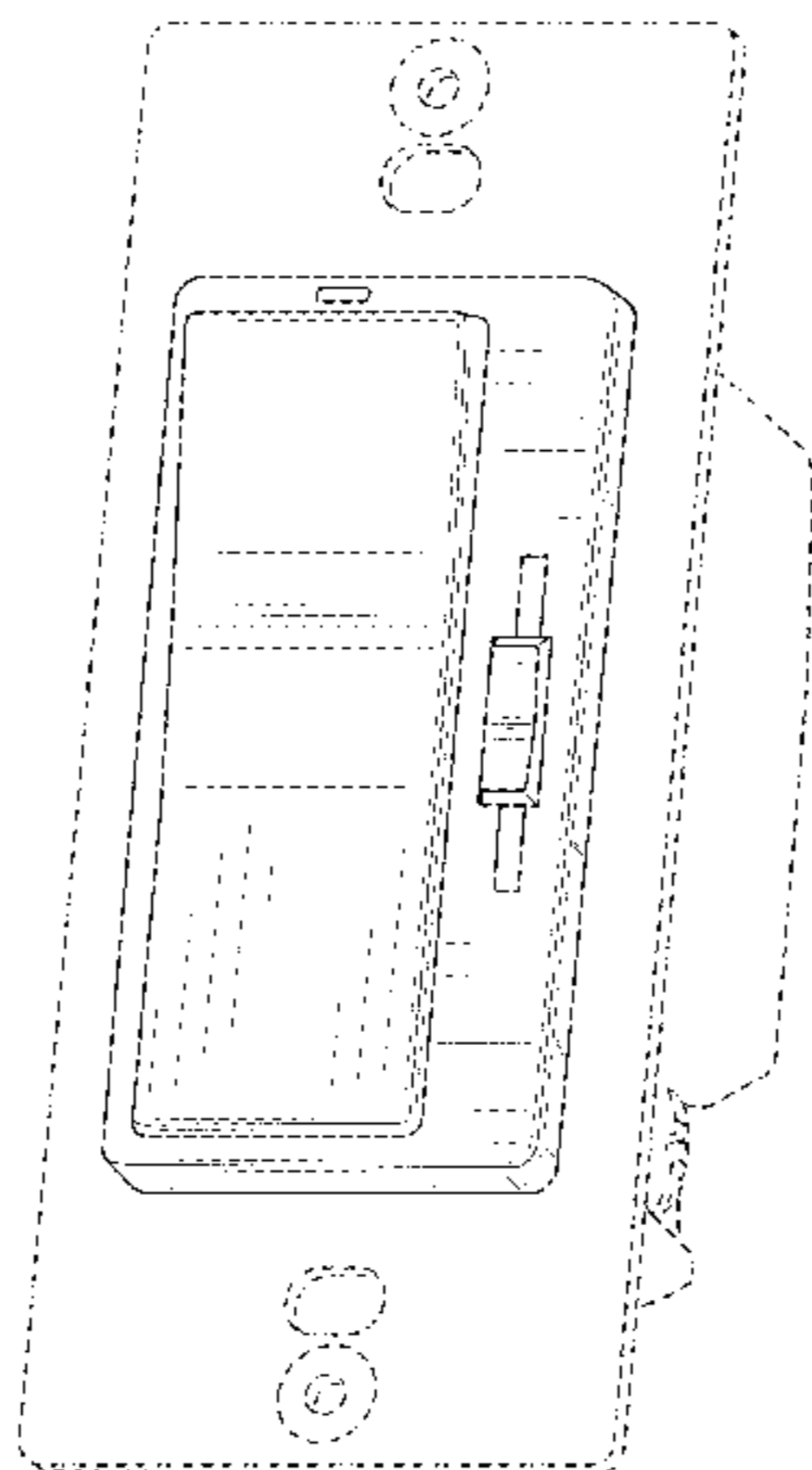
The broken lines shown in the drawing views are for illustrative  
purposes only and form no part of the claimed design.

(56) **References Cited**

**U.S. PATENT DOCUMENTS**

5,399,940 A \* 3/1995 Hanna et al. .... 315/129  
5,895,888 A \* 4/1999 Arenas et al. .... 174/66

**1 Claim, 12 Drawing Sheets**



(56)

**References Cited**

U.S. PATENT DOCUMENTS

D523,824 S *	6/2006	Lombardi et al. ....	D13/169	D606,029 S *	12/2009	Chou .....	D13/169
D534,875 S *	1/2007	Wu .....	D13/169	D609,650 S *	2/2010	Chou et al. ....	D13/169
7,190,125 B2 *	3/2007	McDonough et al. ....	315/291	7,667,155 B1 *	2/2010	Ni et al. ....	200/556
D539,759 S *	4/2007	Lombardi et al. ....	D13/169	D613,699 S	4/2010	Goyal et al.	
D576,565 S *	9/2008	Chou et al. ....	D13/169	7,777,145 B2 *	8/2010	Burrell et al. ....	200/330
D576,961 S *	9/2008	Kidman .....	D13/169	8,003,904 B2 *	8/2011	Wu .....	200/61.72
D583,335 S *	12/2008	Ni .....	D13/169	D649,122 S *	11/2011	Jacoby et al. ....	D13/162
D592,612 S	5/2009	Goyal et al.		8,459,812 B2 *	6/2013	Wu et al. ....	362/23.01
				8,853,893 B2 *	10/2014	Savicki et al. ....	307/140
				2012/0068894 A1 *	3/2012	Feldstein et al. ....	343/702

\* cited by examiner

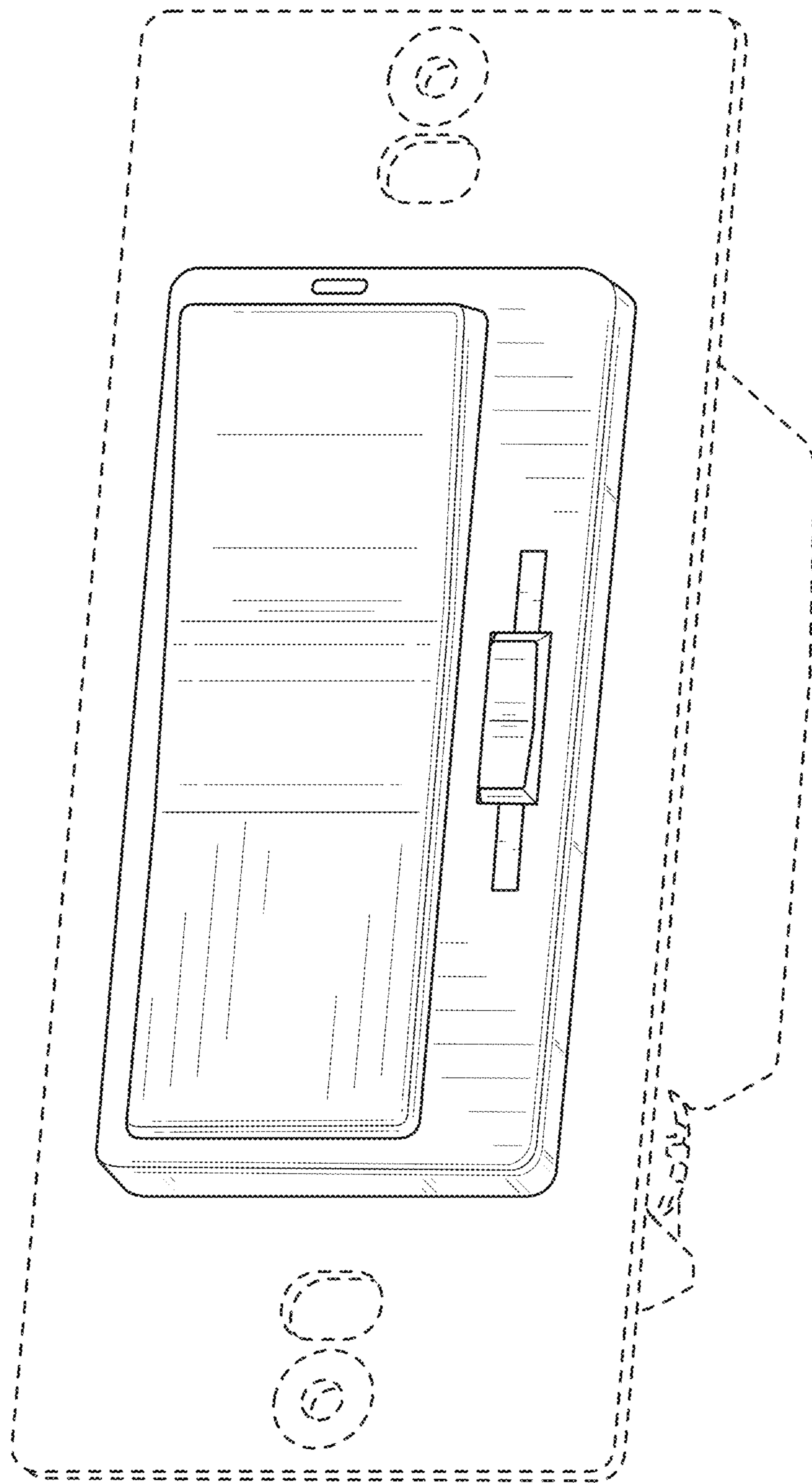


FIG. 1

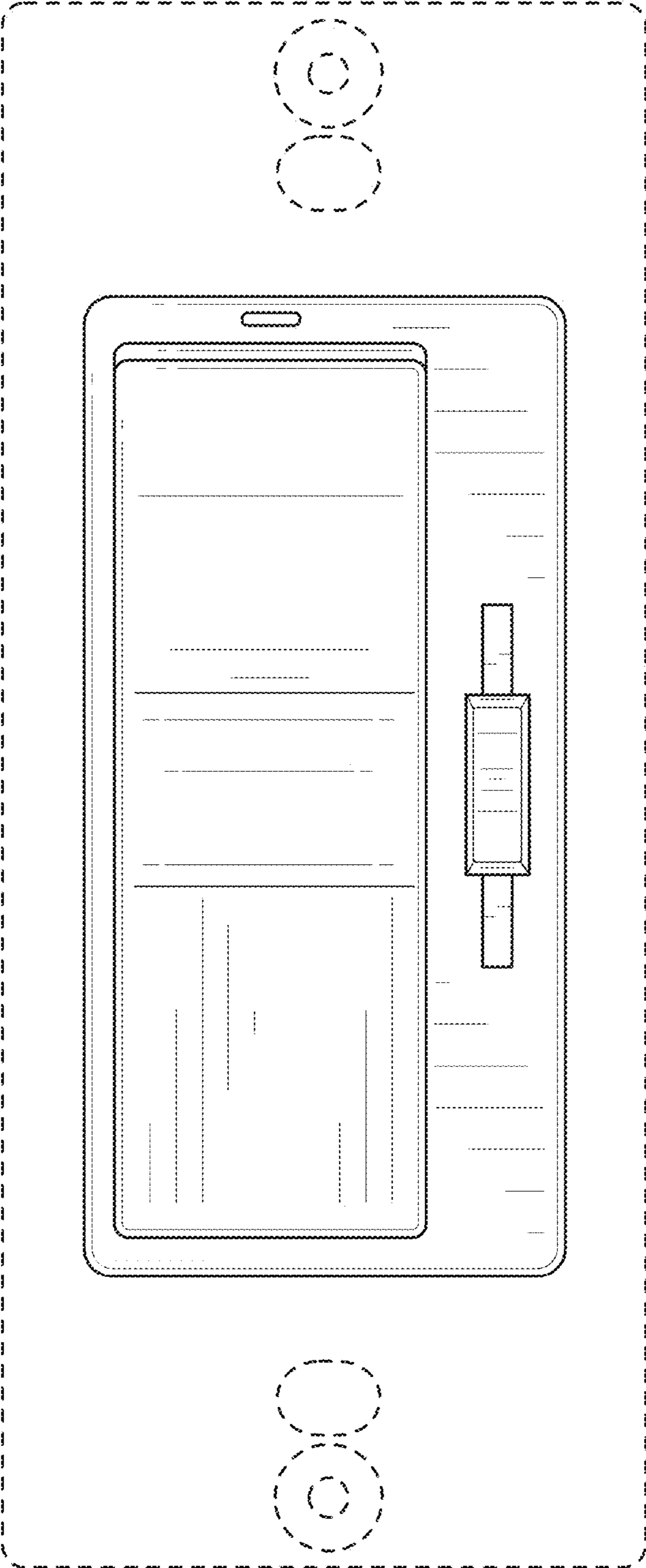


FIG. 2

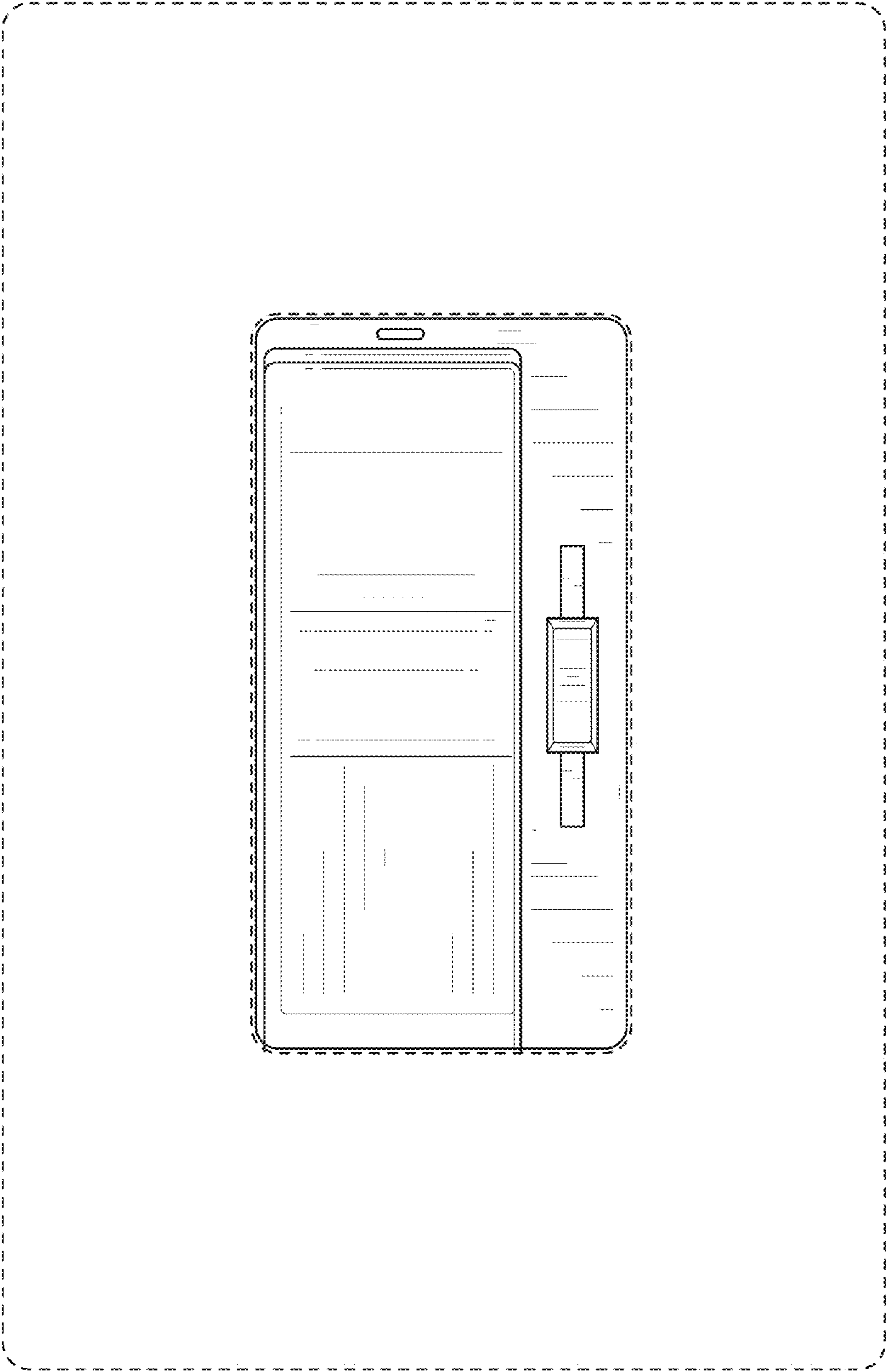


FIG. 3

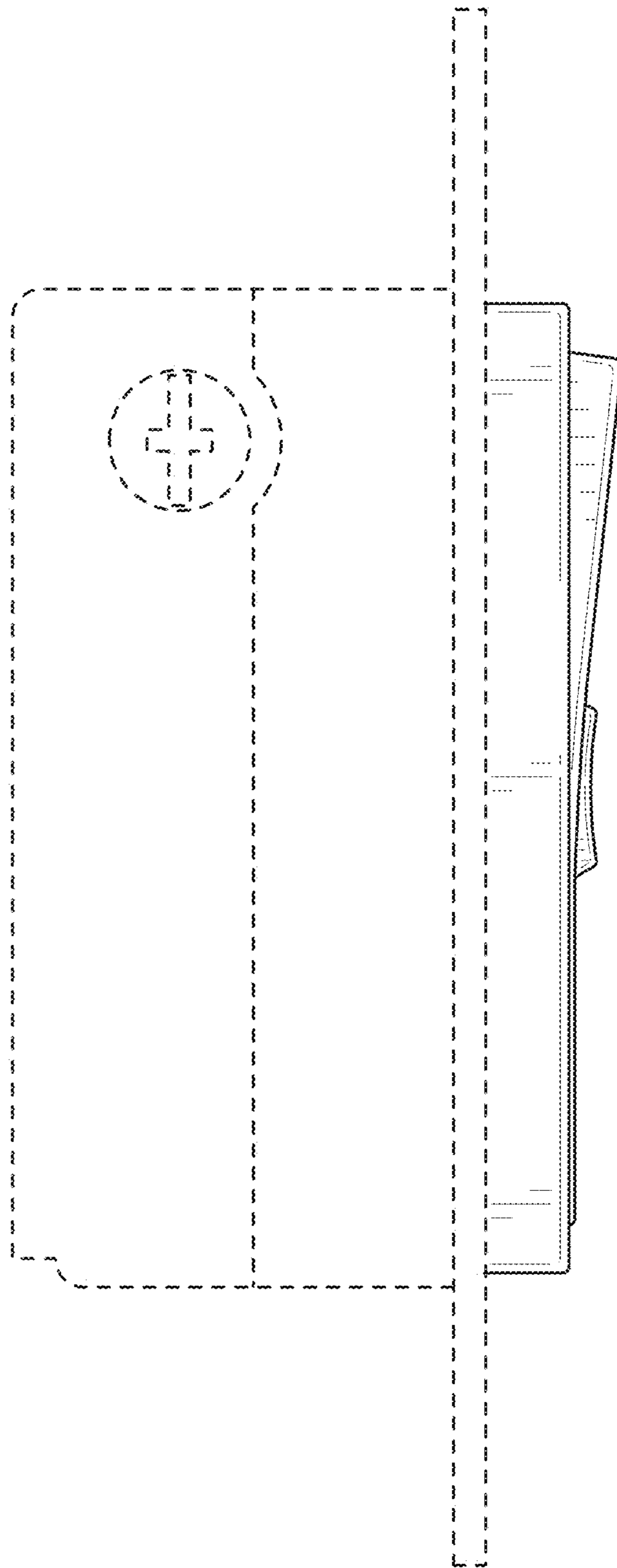


FIG. 4

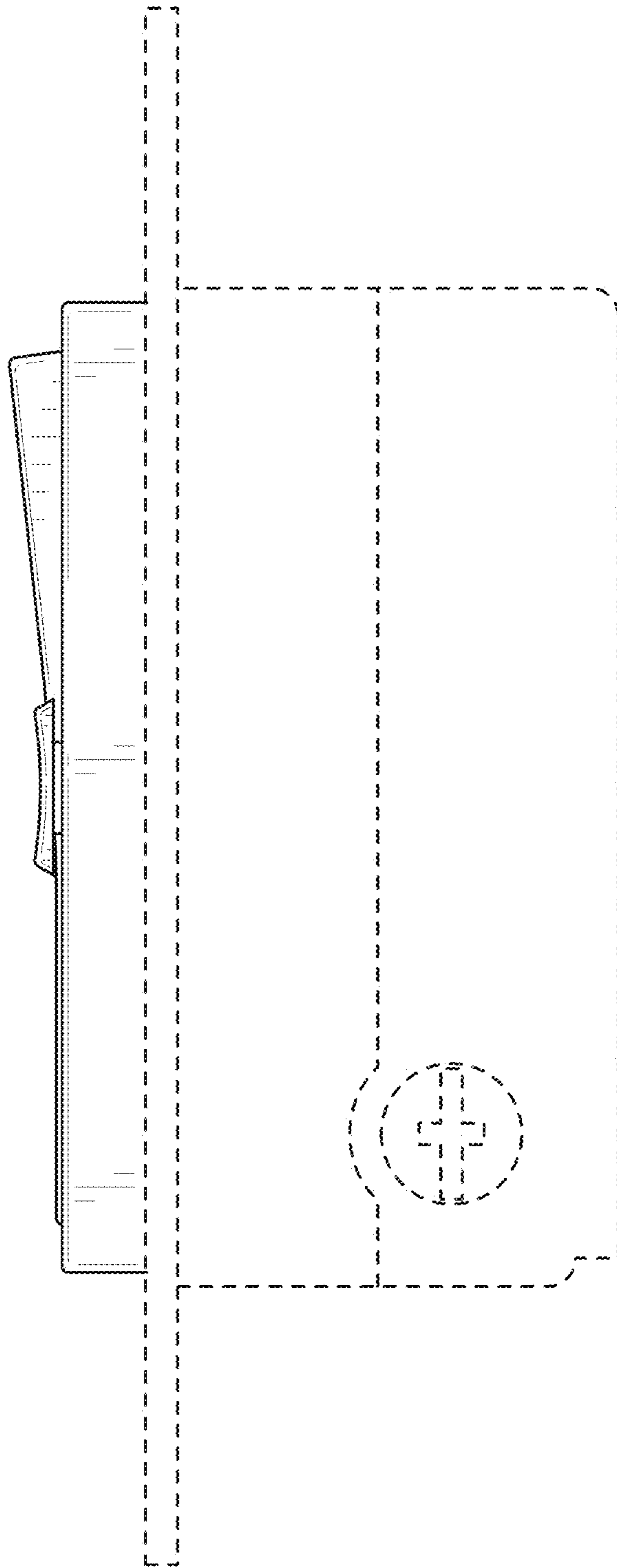


FIG. 5

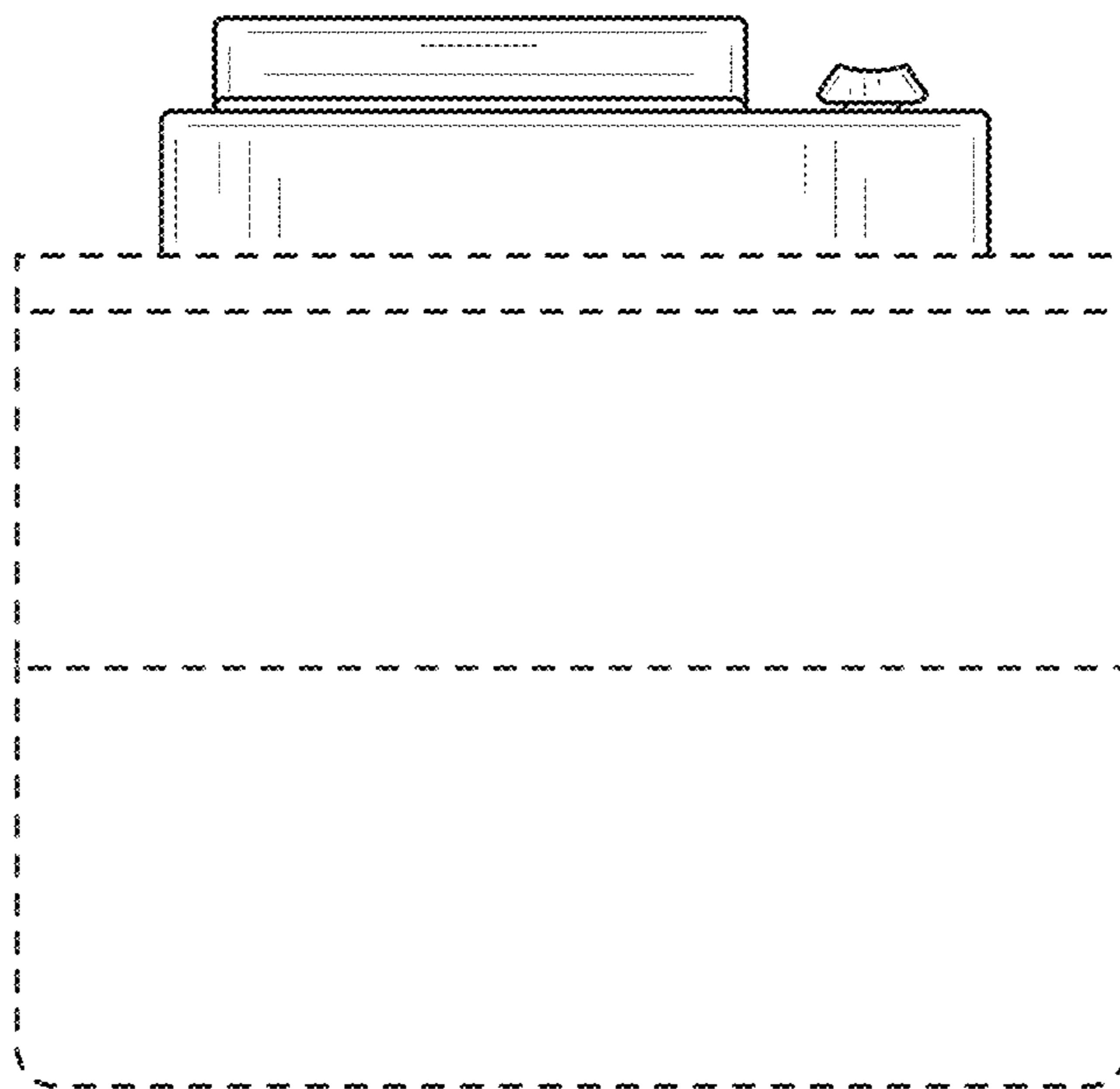


FIG. 6



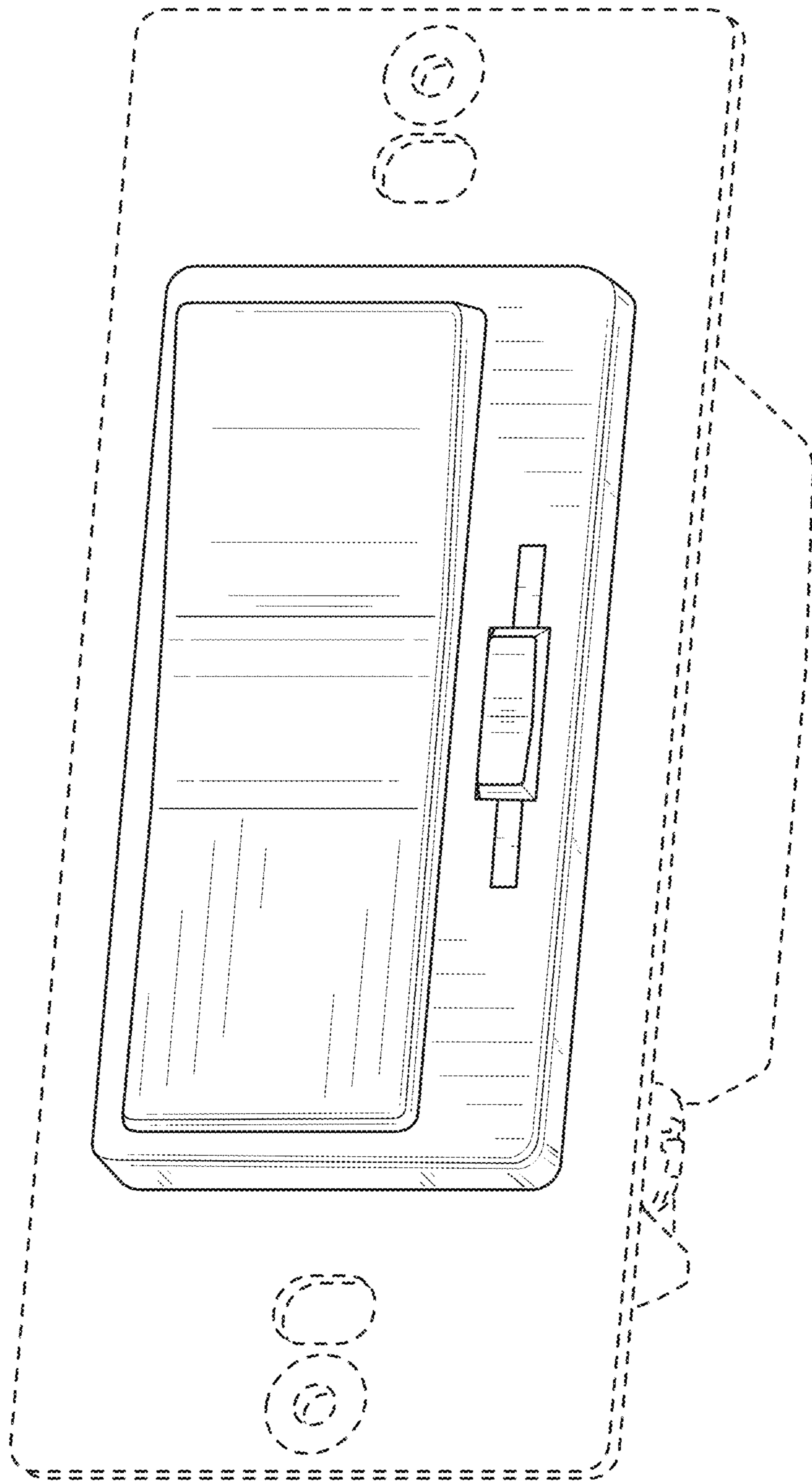


FIG. 7

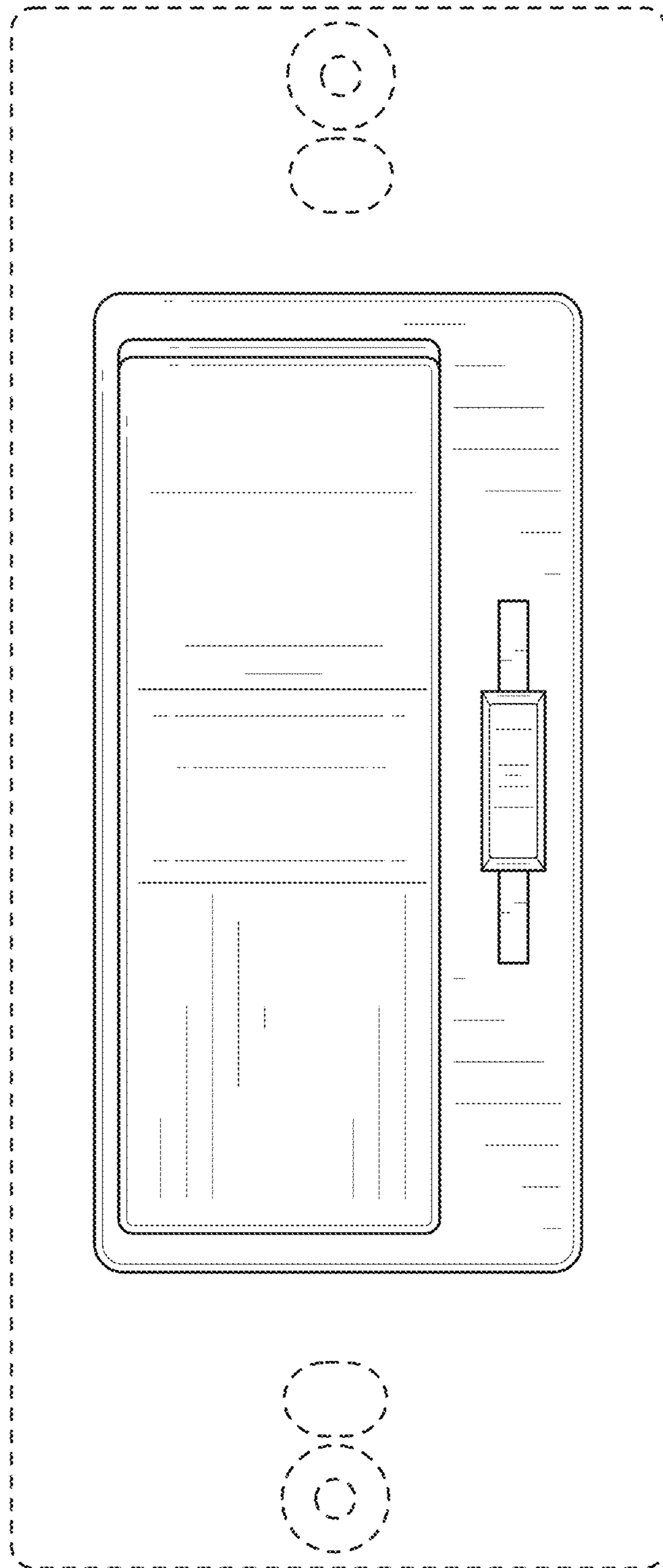


FIG. 8

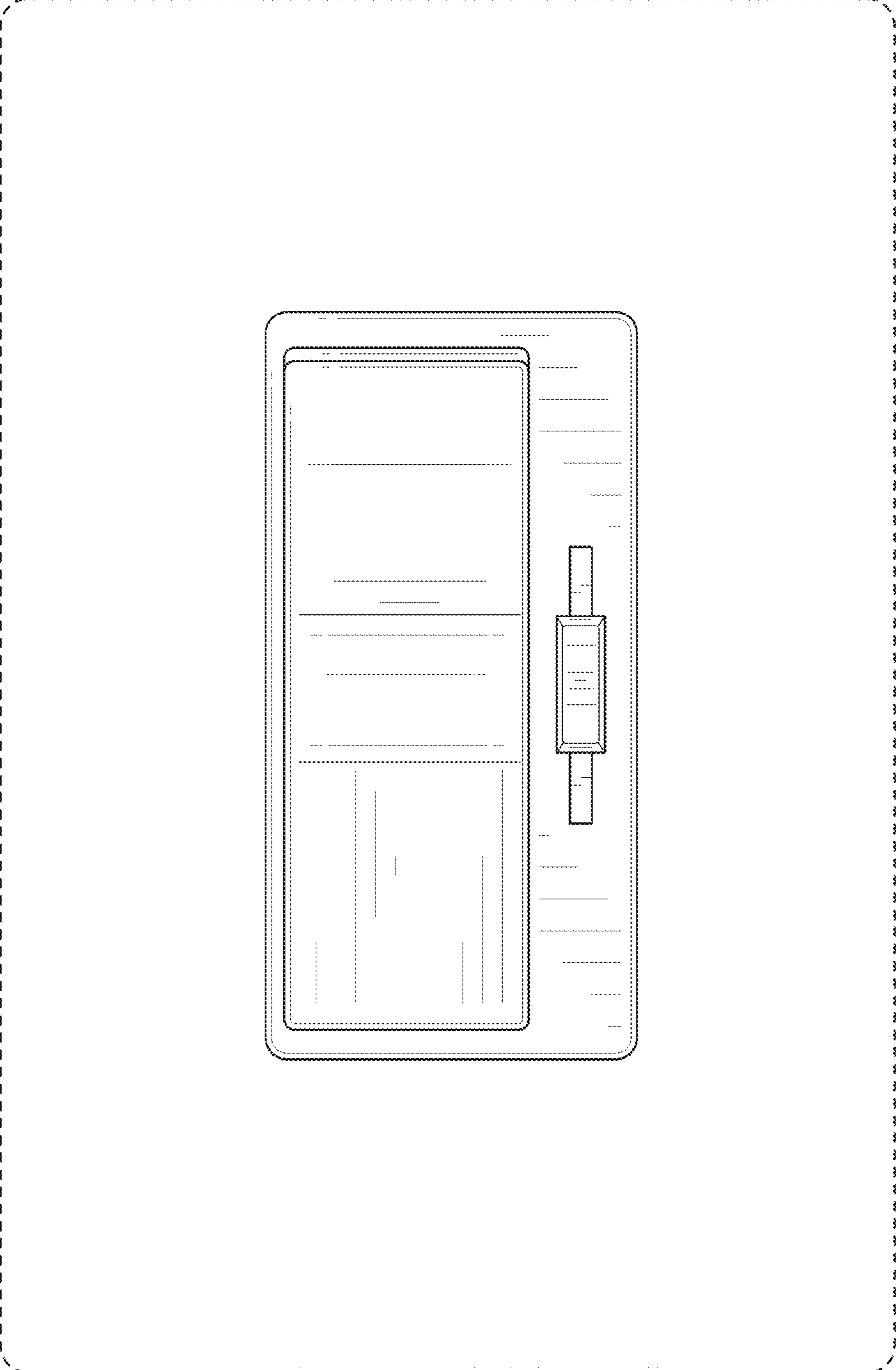


FIG. 9

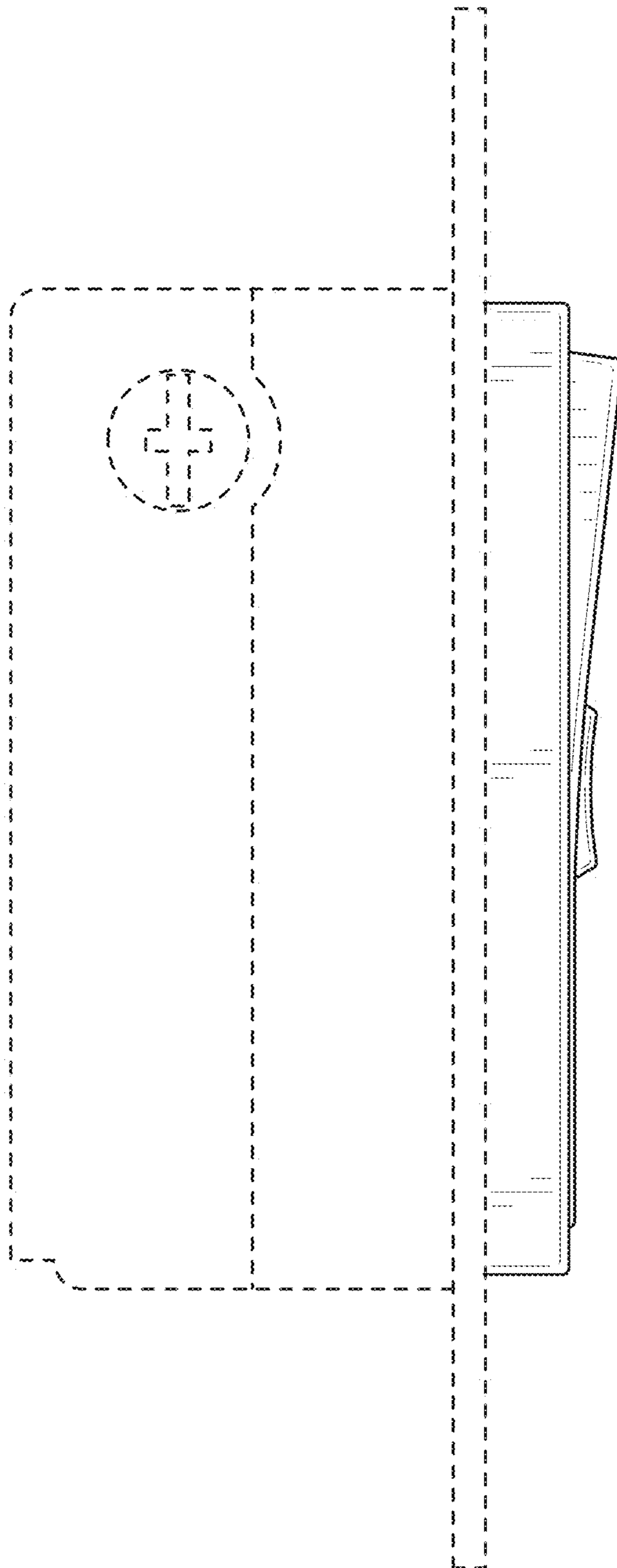


FIG. 10

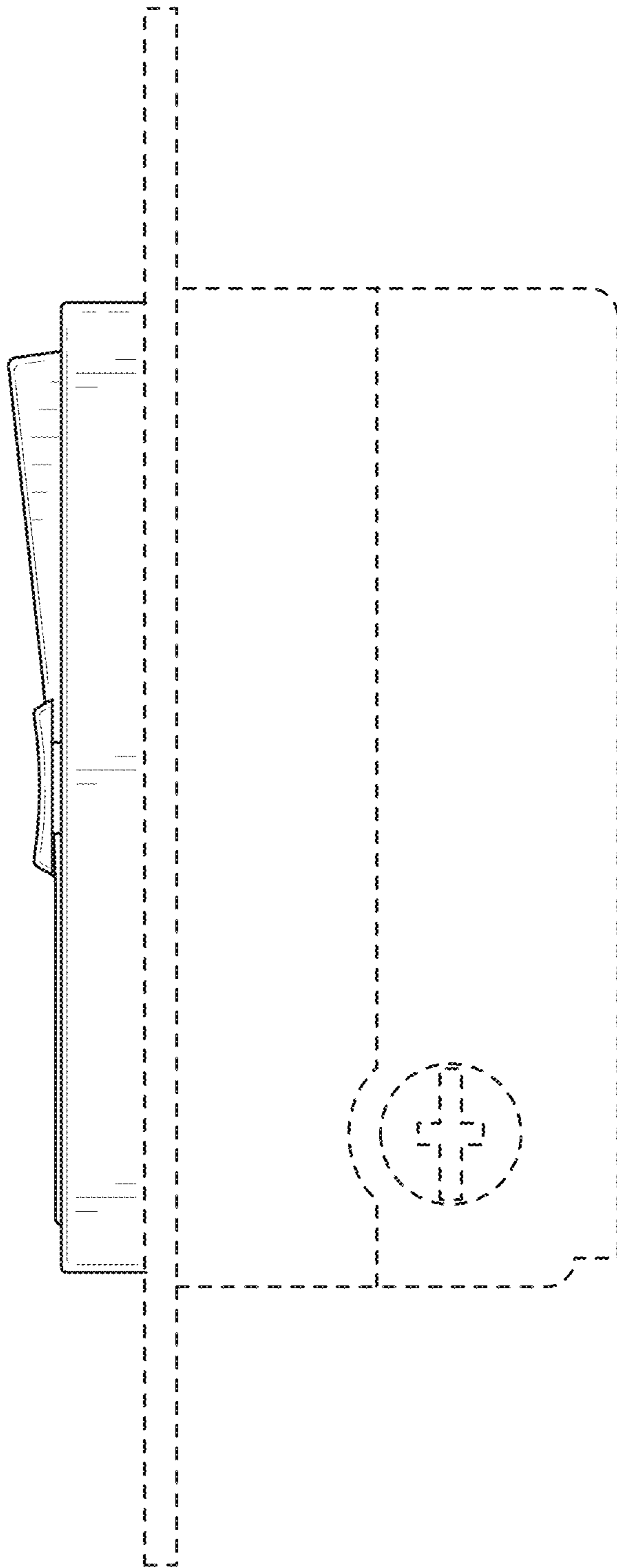


FIG. 11

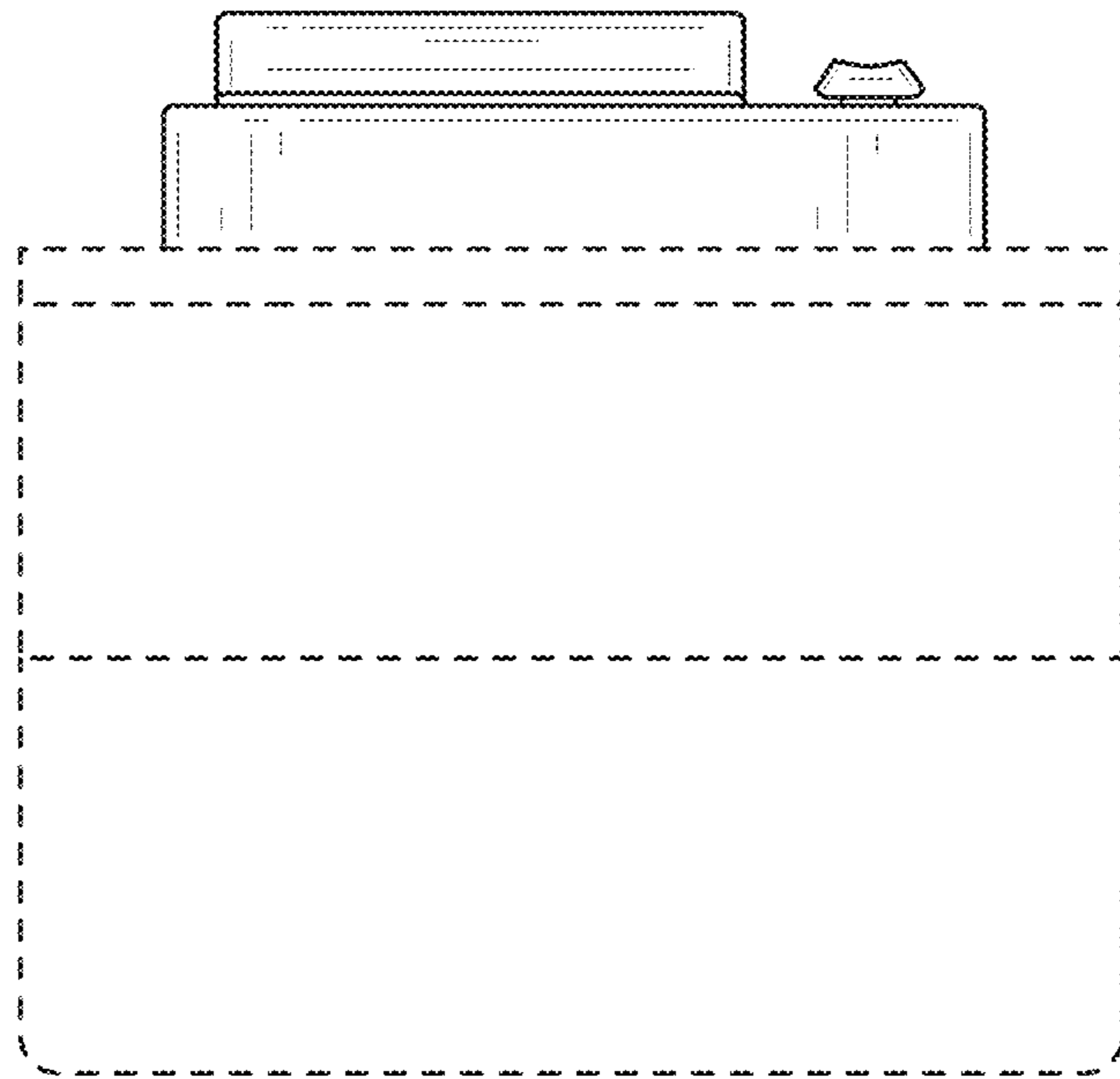


FIG. 12