



US00D740765S

(12) **United States Design Patent**
Creasman

(10) **Patent No.:** **US D740,765 S**
(45) **Date of Patent:** **** Oct. 13, 2015**

(54) **CONFIGURATION TOOL**

- (71) Applicant: **Cree, Inc.**, Durham, NC (US)
- (72) Inventor: **Ethan Creasman**, Morrisville, NC (US)
- (73) Assignee: **Cree, Inc.**, Durham, NC (US)
- (**) Term: **14 Years**
- (21) Appl. No.: **29/477,387**
- (22) Filed: **Dec. 20, 2013**
- (51) **LOC (10) Cl.** **14-03**
- (52) **U.S. Cl.**
USPC **D13/168**
- (58) **Field of Classification Search**
USPC D13/168; D14/218; 340/4.3, 4.42,
340/12.22, 12.23, 12.24, 12.29, 12.3, 12.55,
340/13.2, 13.21, 13.24; 341/176; 345/169;
348/734; 455/352
CPC H03J 1/0025; H03J 9/00; H03J 9/02;
H03J 9/04; H03J 9/06; H01H 2009/187;
H01H 9/02; H01H 9/0214; H01H 9/0242;
H01H 9/18; H05B 37/02; H05B 37/0272;
H05B 39/088; G08C 17/00; G08C 17/02;
G08C 19/28; G08C 23/02; G08C 23/04
See application file for complete search history.

(56) **References Cited**

U.S. PATENT DOCUMENTS

- D415,735 S * 10/1999 Zuege D13/168
- D426,232 S * 6/2000 Silbermann et al. D14/218

(Continued)

Primary Examiner — Selina Sikder

(74) *Attorney, Agent, or Firm* — Withrow & Terranova,
P.L.L.C.

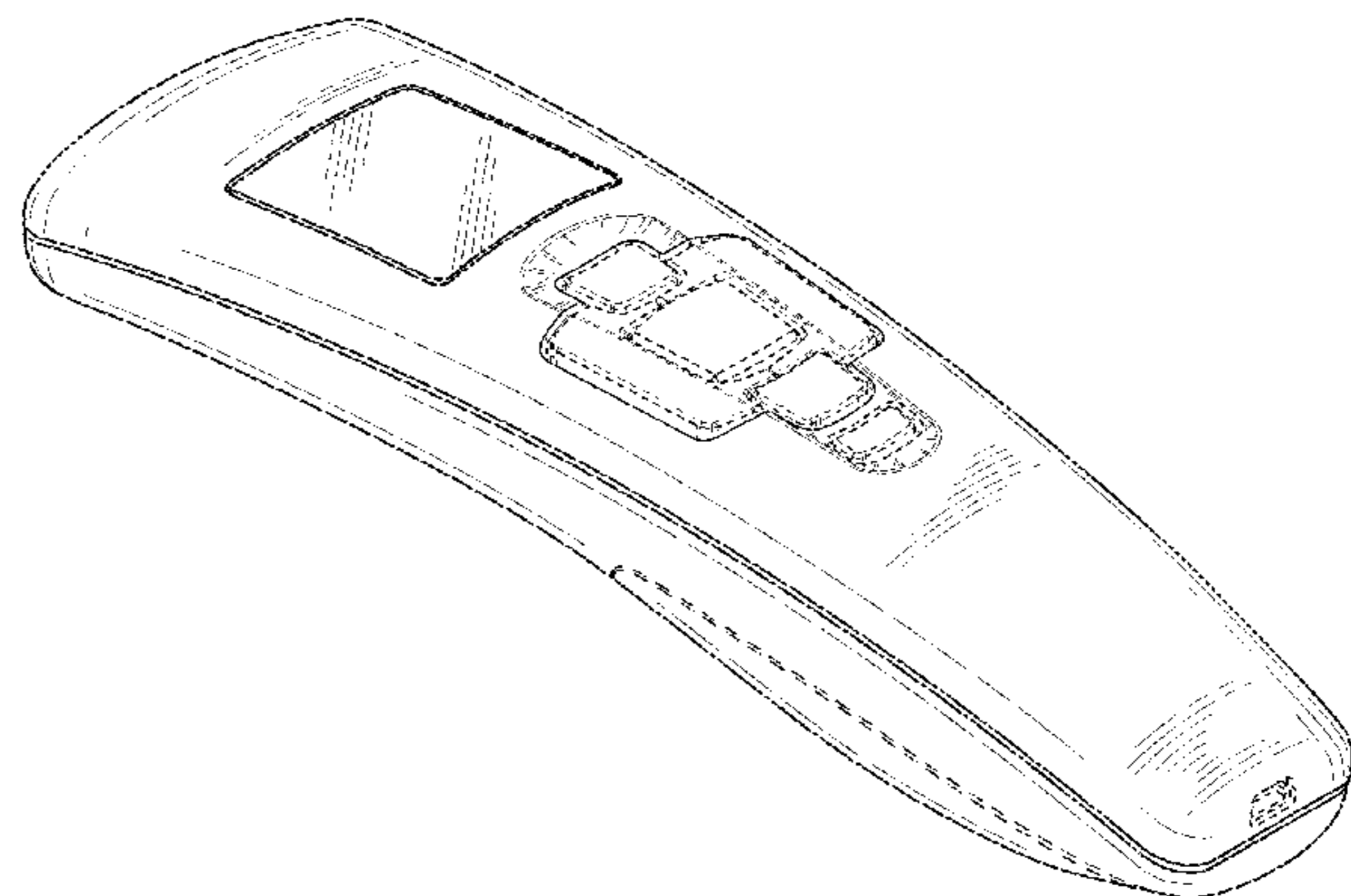
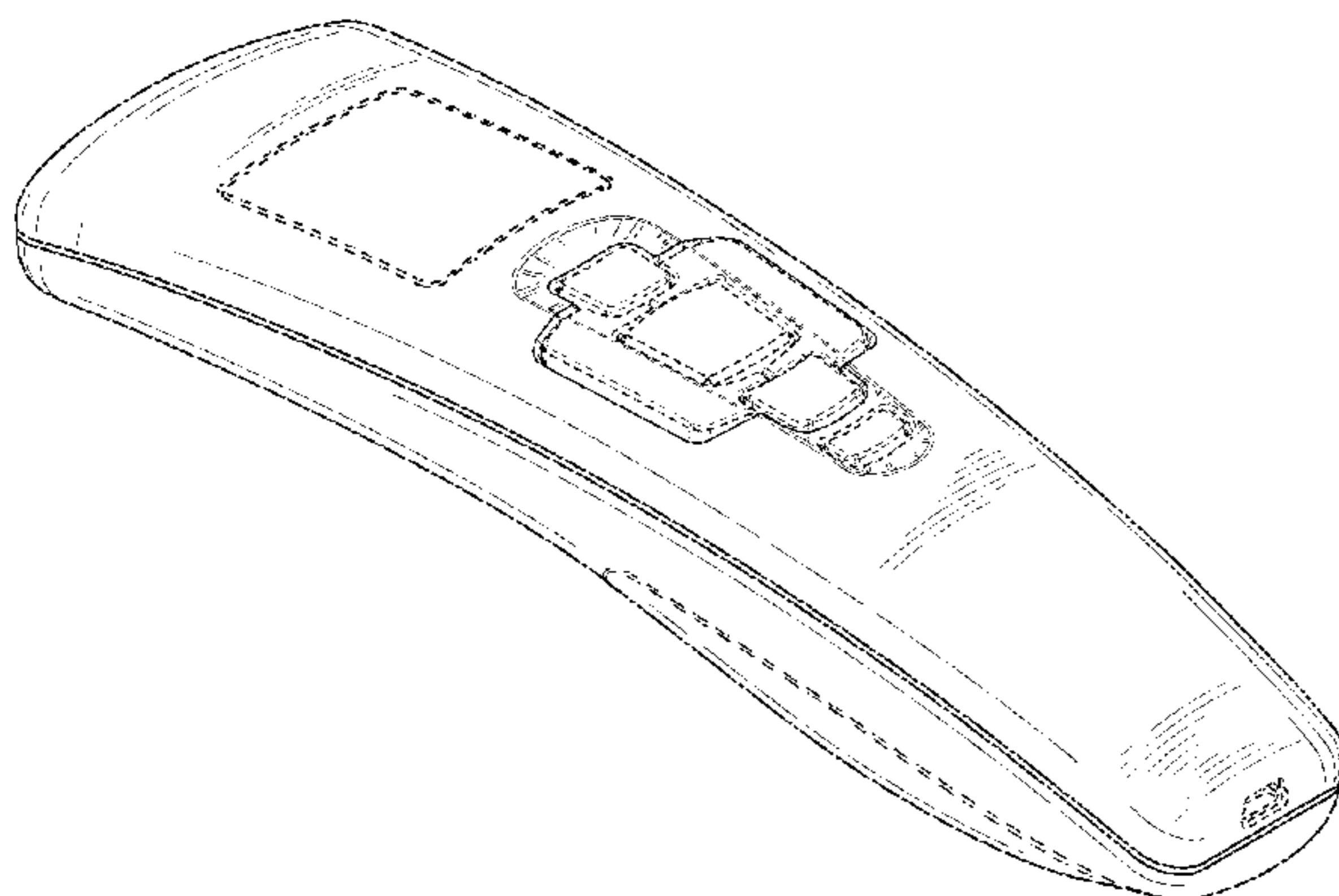
(57) **CLAIM**

The ornamental design for a configuration tool, as shown and described.

DESCRIPTION

FIG. 1 is a top-rear isometric view of a configuration tool according to a first embodiment.
 FIG. 2 is a top-front isometric view of the configuration tool of FIG. 1.
 FIG. 3 is a bottom-rear isometric view of the configuration tool of FIG. 1.
 FIG. 4 is a bottom-front isometric view of the configuration tool of FIG. 1.
 FIG. 5 is a top plan view of the configuration tool of FIG. 1.
 FIG. 6 is a bottom plan view of the configuration tool of FIG. 1.
 FIG. 7 is a left side plan view of the configuration tool of FIG. 1.
 FIG. 8 is a right side plan view of the configuration tool of FIG. 1.
 FIG. 9 is a front plan view of the configuration tool of FIG. 1.
 FIG. 10 is a rear plan view of the configuration tool of FIG. 1.
 FIG. 11 is a top-rear isometric view of a configuration tool according to a second embodiment.
 FIG. 12 is a top-front isometric view of the configuration tool of FIG. 11.
 FIG. 13 is a bottom-rear isometric view of the configuration tool of FIG. 11.
 FIG. 14 is a bottom-front isometric view of the configuration tool of FIG. 11.
 FIG. 15 is a top plan view of the configuration tool of FIG. 11.
 FIG. 16 is a bottom plan view of the configuration tool of FIG. 11.
 FIG. 17 is a left side plan view of the configuration tool of FIG. 11.
 FIG. 18 is a right side plan view of the configuration tool of FIG. 11.
 FIG. 19 is a front plan view of the configuration tool of FIG. 11; and,
 FIG. 20 is a rear plan view of the configuration tool of FIG. 11.
 The broken lines shown in the drawings depict portions of the configuration tool that form no part of the claimed design.

1 Claim, 20 Drawing Sheets



(56)

References Cited

U.S. PATENT DOCUMENTS

D528,103 S *	9/2006	Mabry et al.	D14/218	D656,127 S *	3/2012	Kay et al.	D14/218
D531,137 S *	10/2006	Wu	D13/168	D673,138 S *	12/2012	Kim et al.	D14/218
D531,962 S *	11/2006	Tajima	D13/168	8,362,713 B2 *	1/2013	Recker et al.	315/293
D531,963 S *	11/2006	Tajima	D13/168	D693,333 S *	11/2013	Joe et al.	D14/218
D548,703 S *	8/2007	Vendramini et al.	D13/168	D697,874 S *	1/2014	Stusynski et al.	D13/168
D578,079 S *	10/2008	Huang et al.	D13/168	2006/0176689 A1 *	8/2006	Dowdy et al.	362/188
7,498,952 B2 *	3/2009	Newman, Jr.	340/815.45	2008/0111491 A1 *	5/2008	Spira	315/158
D597,038 S *	7/2009	Glassman et al.	D13/168	2009/0251352 A1 *	10/2009	Altonen et al.	341/176
D619,107 S *	7/2010	Giugiaro	D13/168	2012/0286940 A1 *	11/2012	Carmen et al.	340/12.5
D641,718 S *	7/2011	Sakai	D13/168	2013/0141009 A1 *	6/2013	Jin et al.	315/292
				2013/0328500 A1 *	12/2013	Toda	315/292
				2013/0334969 A1 *	12/2013	Ishikita	315/129

* cited by examiner

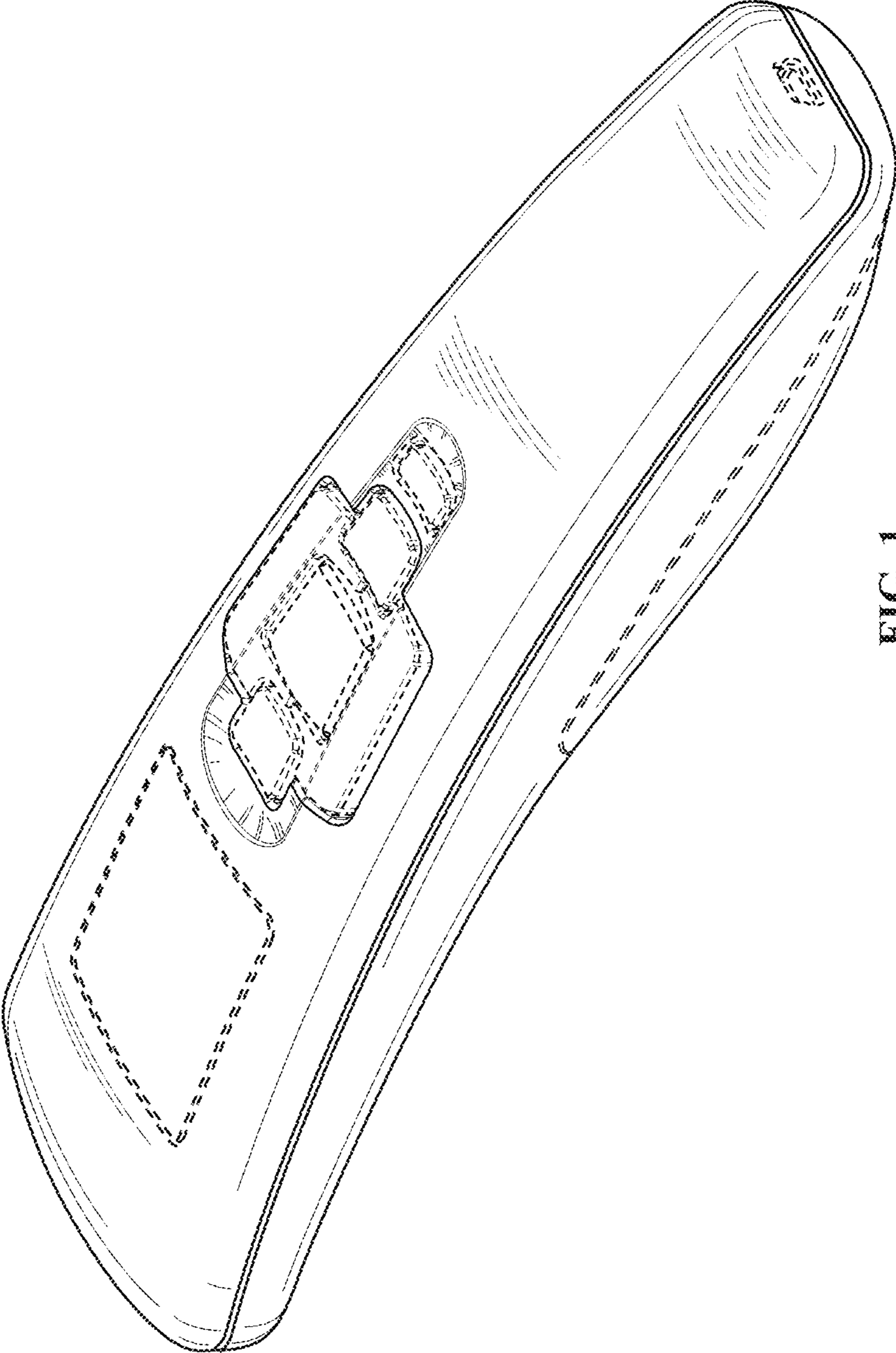


FIG. 1

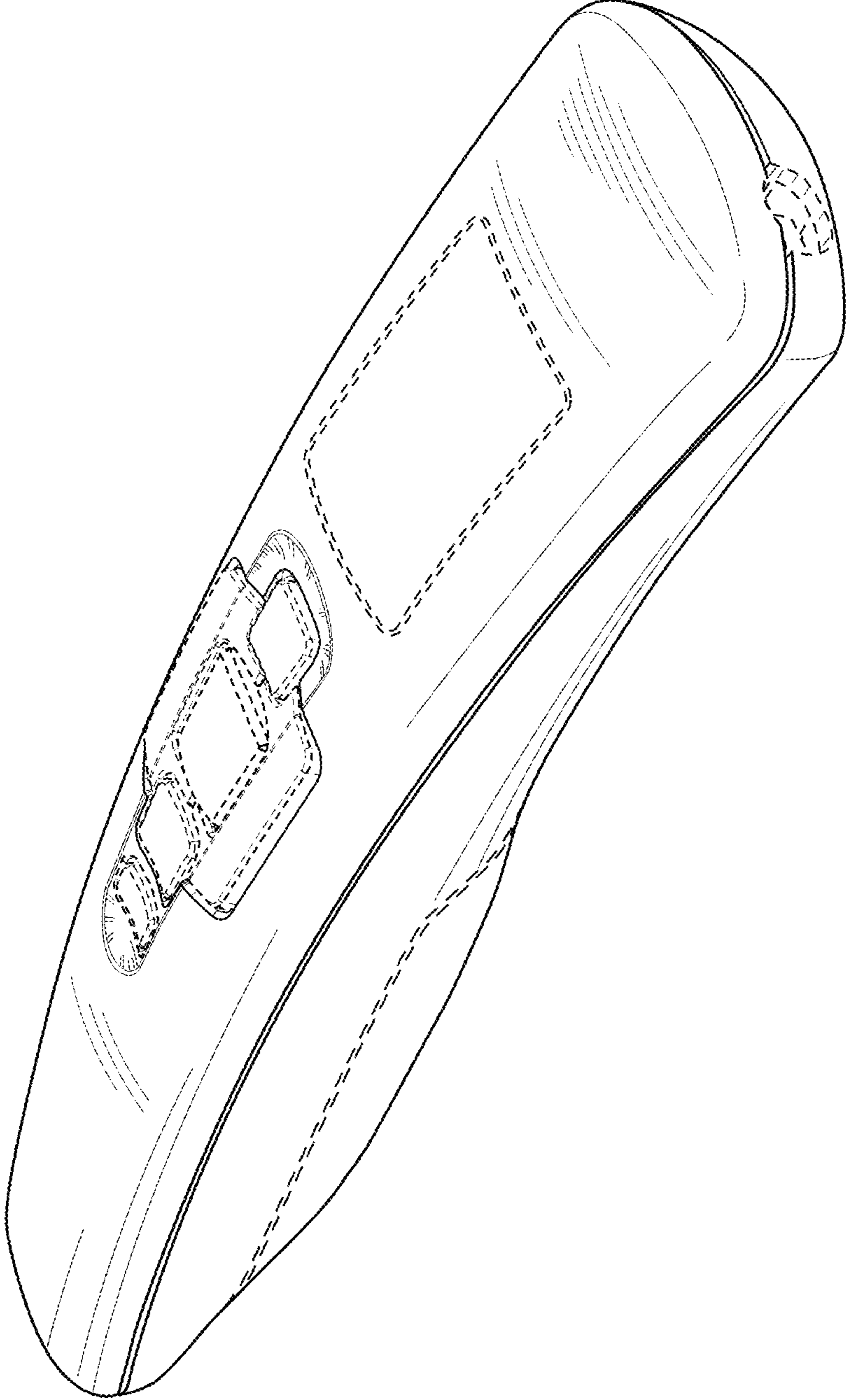


FIG. 2

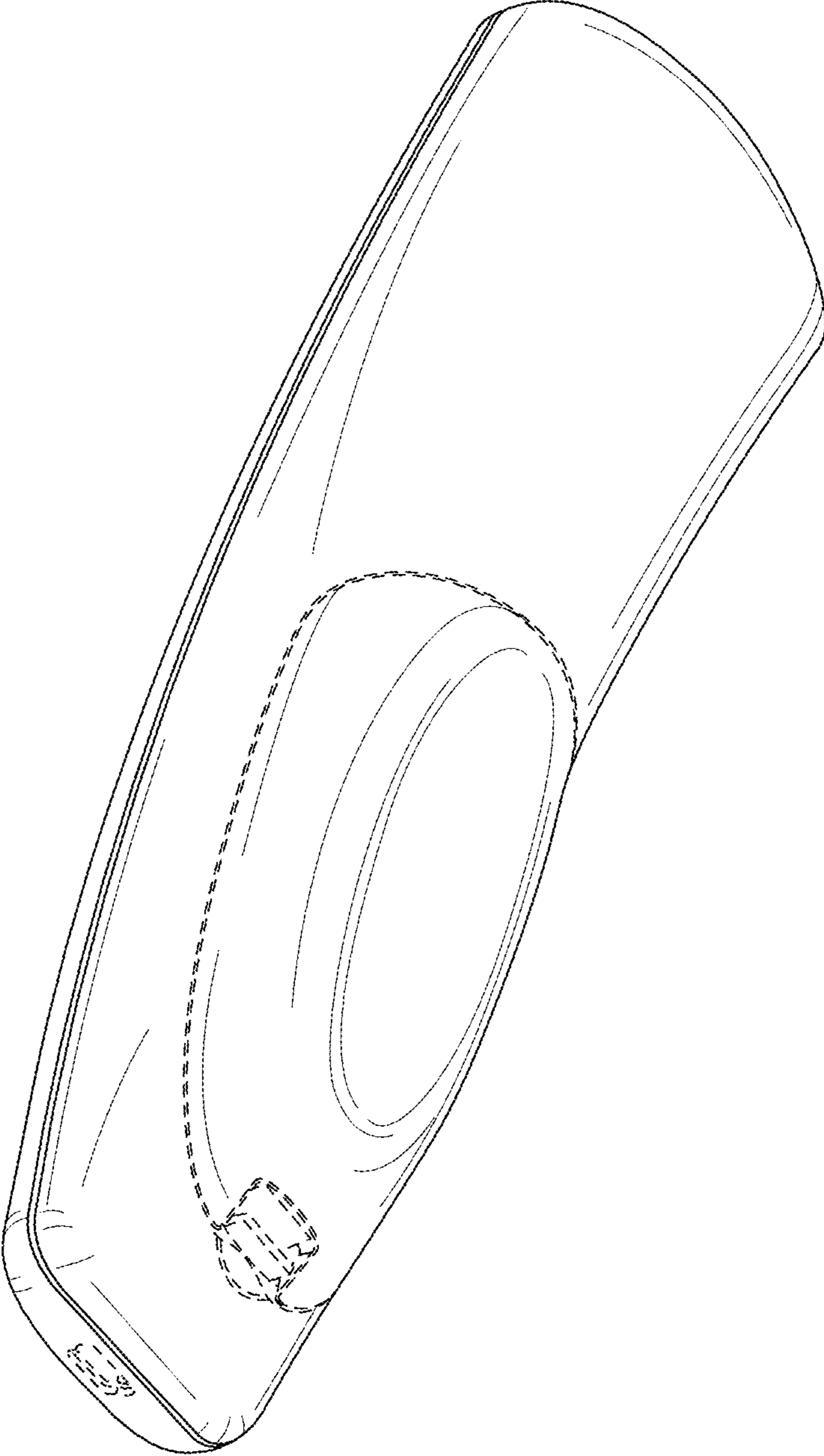


FIG. 3

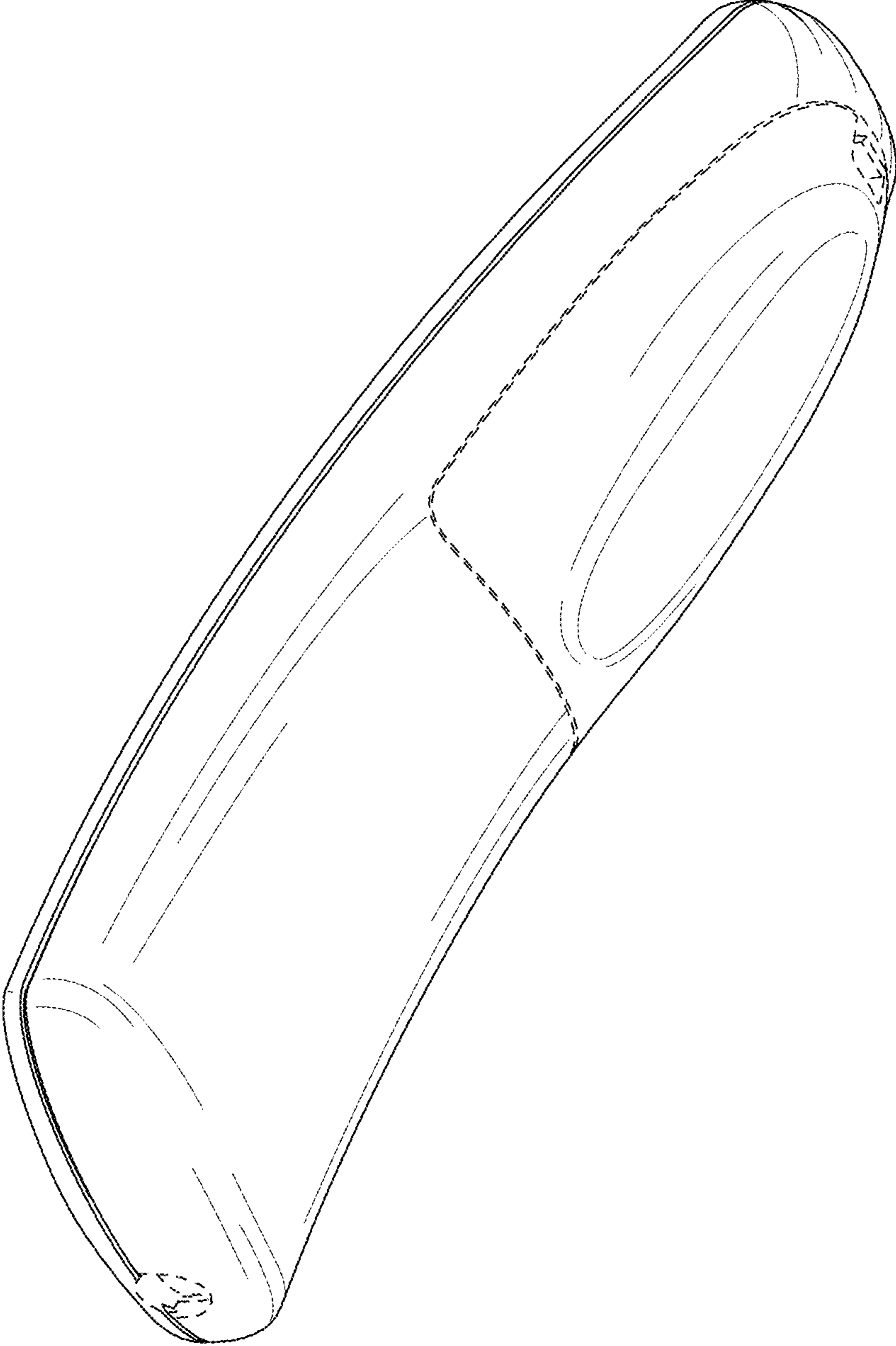


FIG. 4

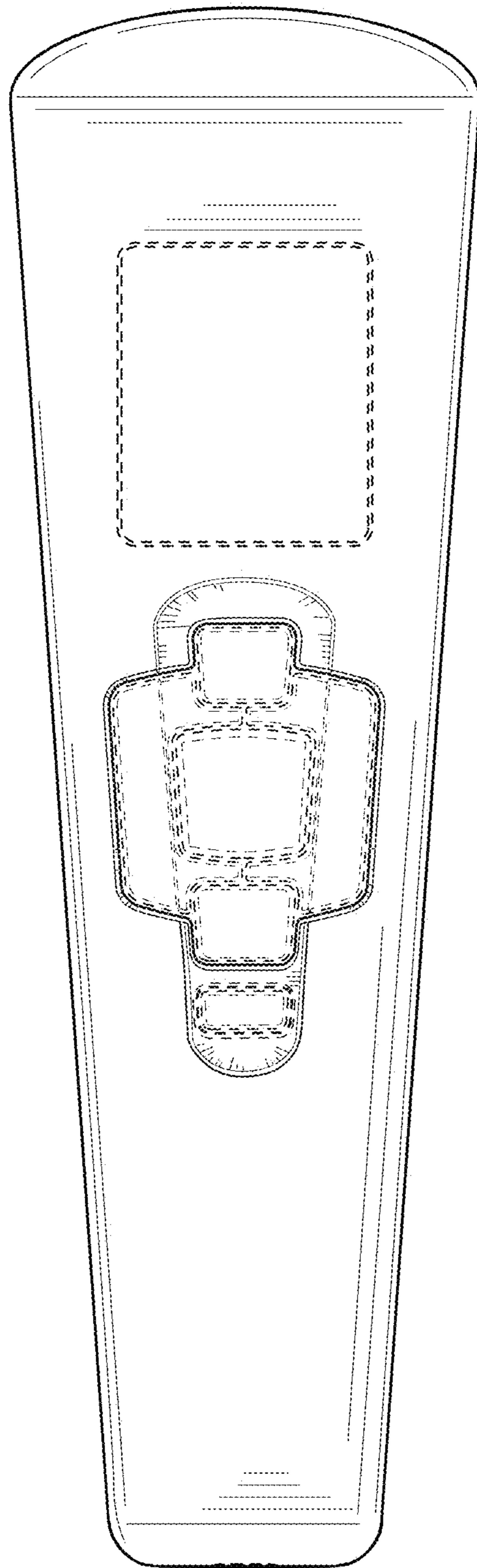


FIG. 5

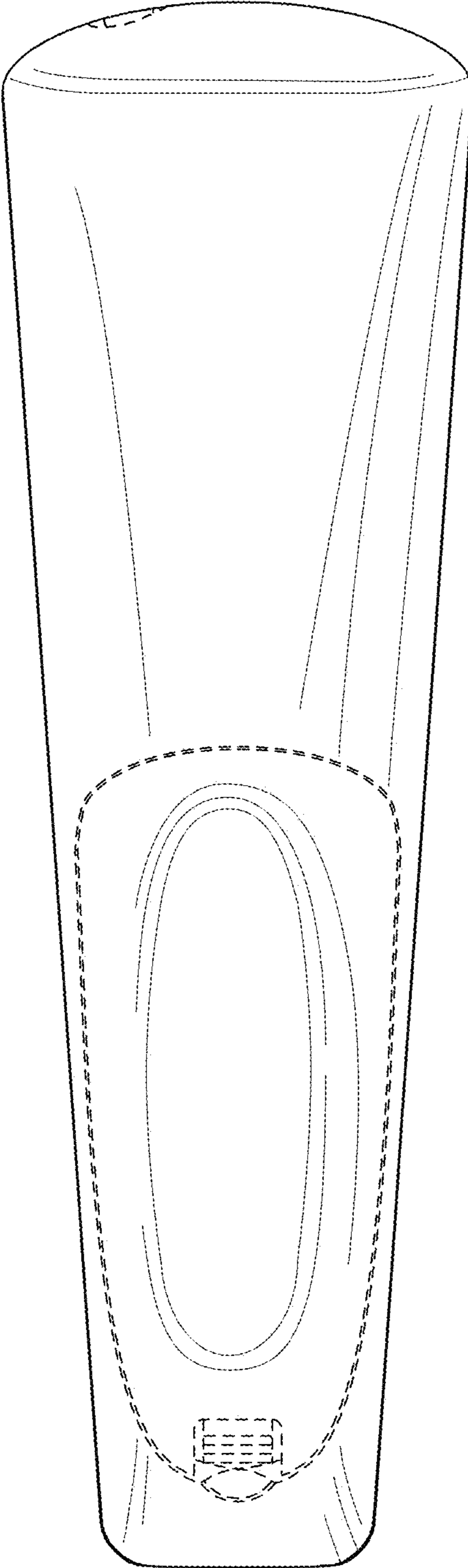


FIG. 6

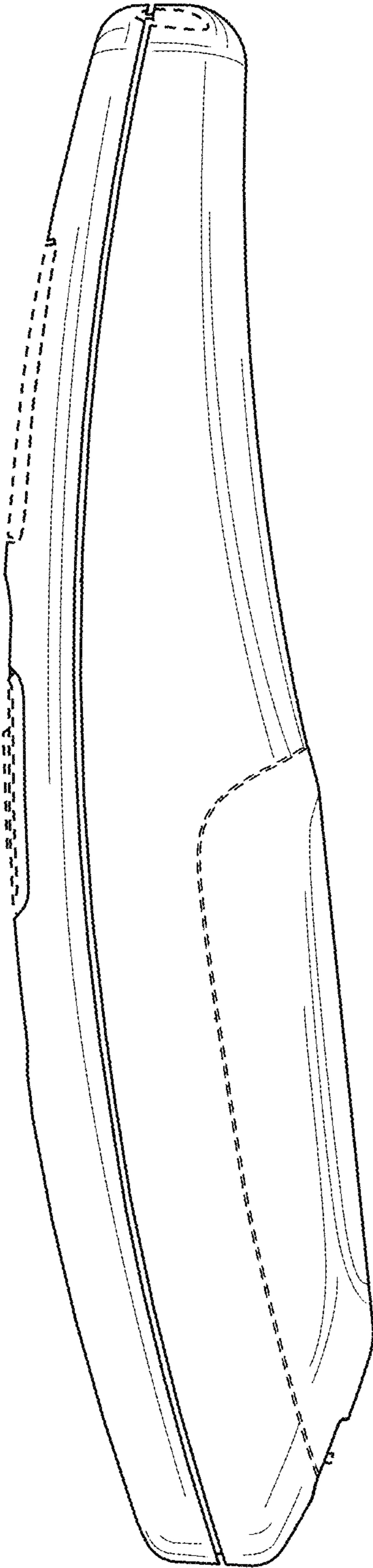


FIG. 7

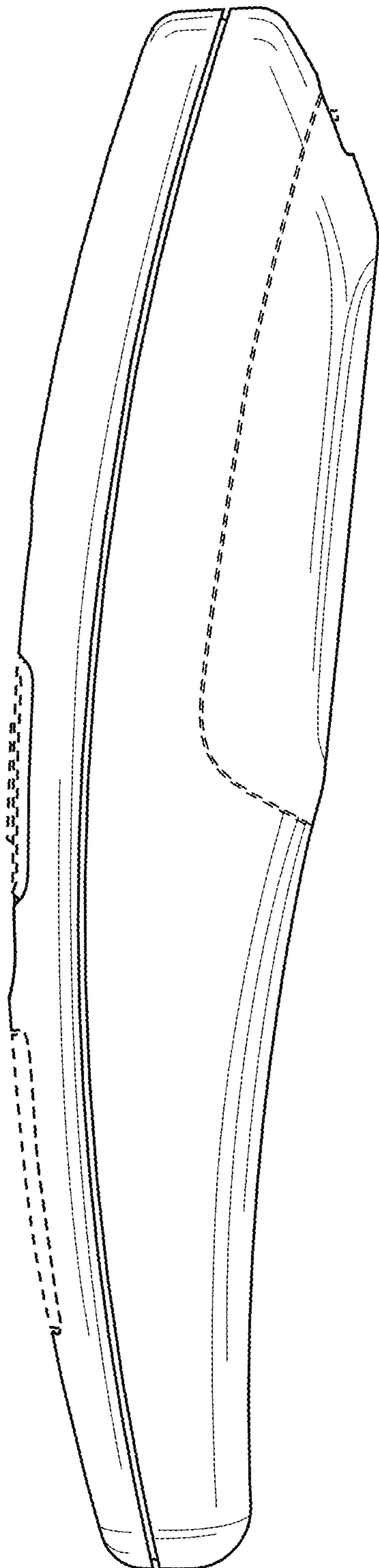


FIG. 8

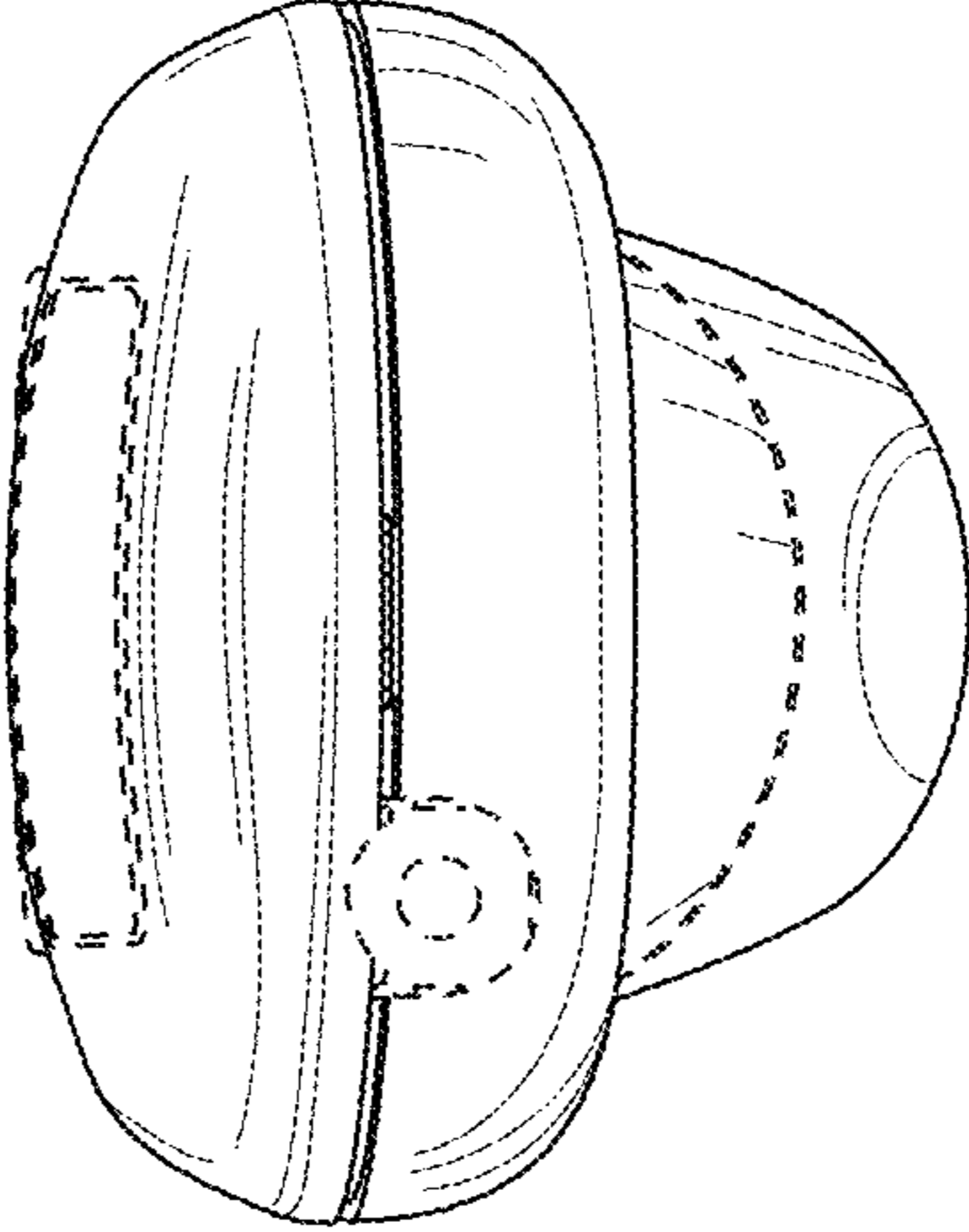


FIG. 9

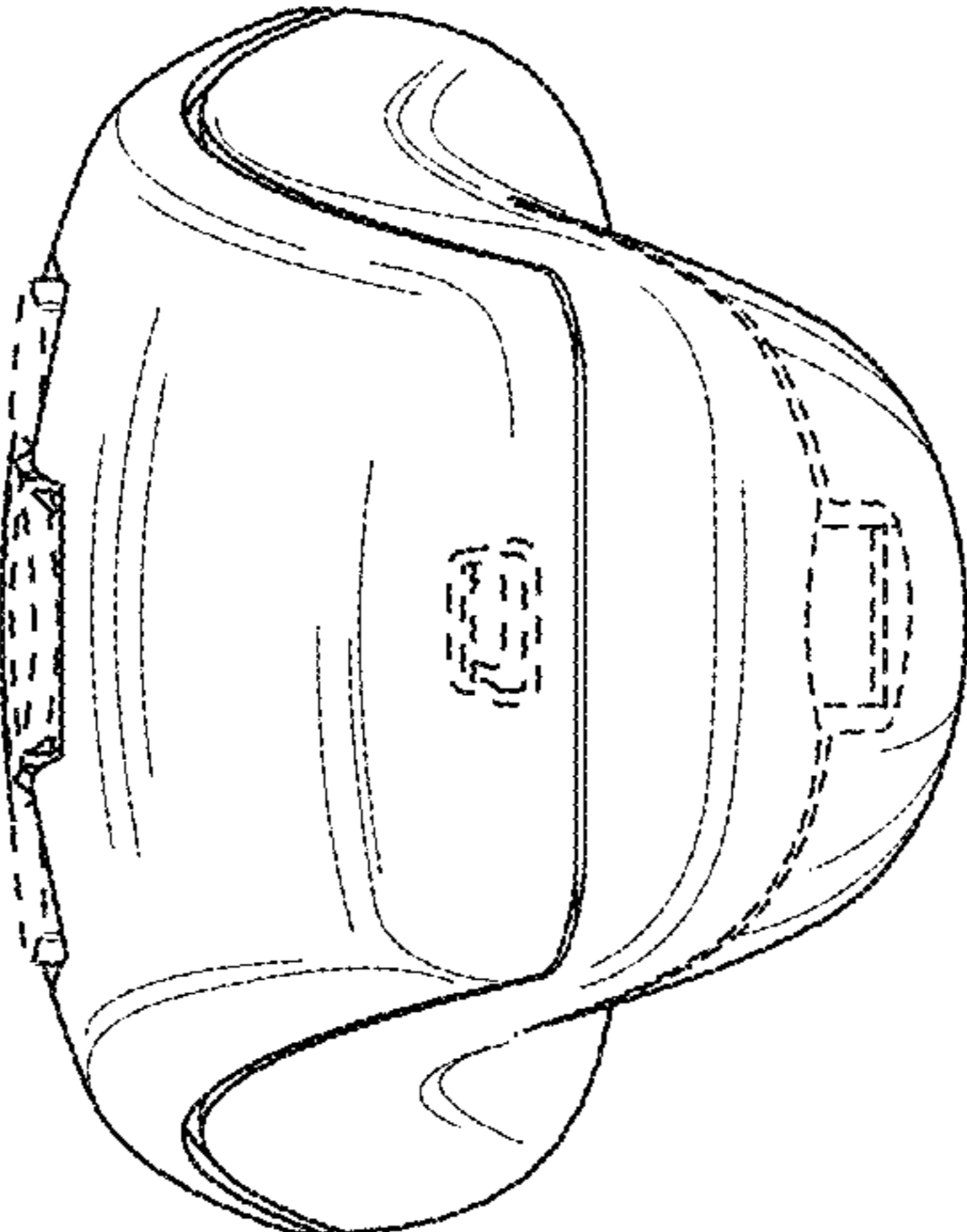


FIG. 10

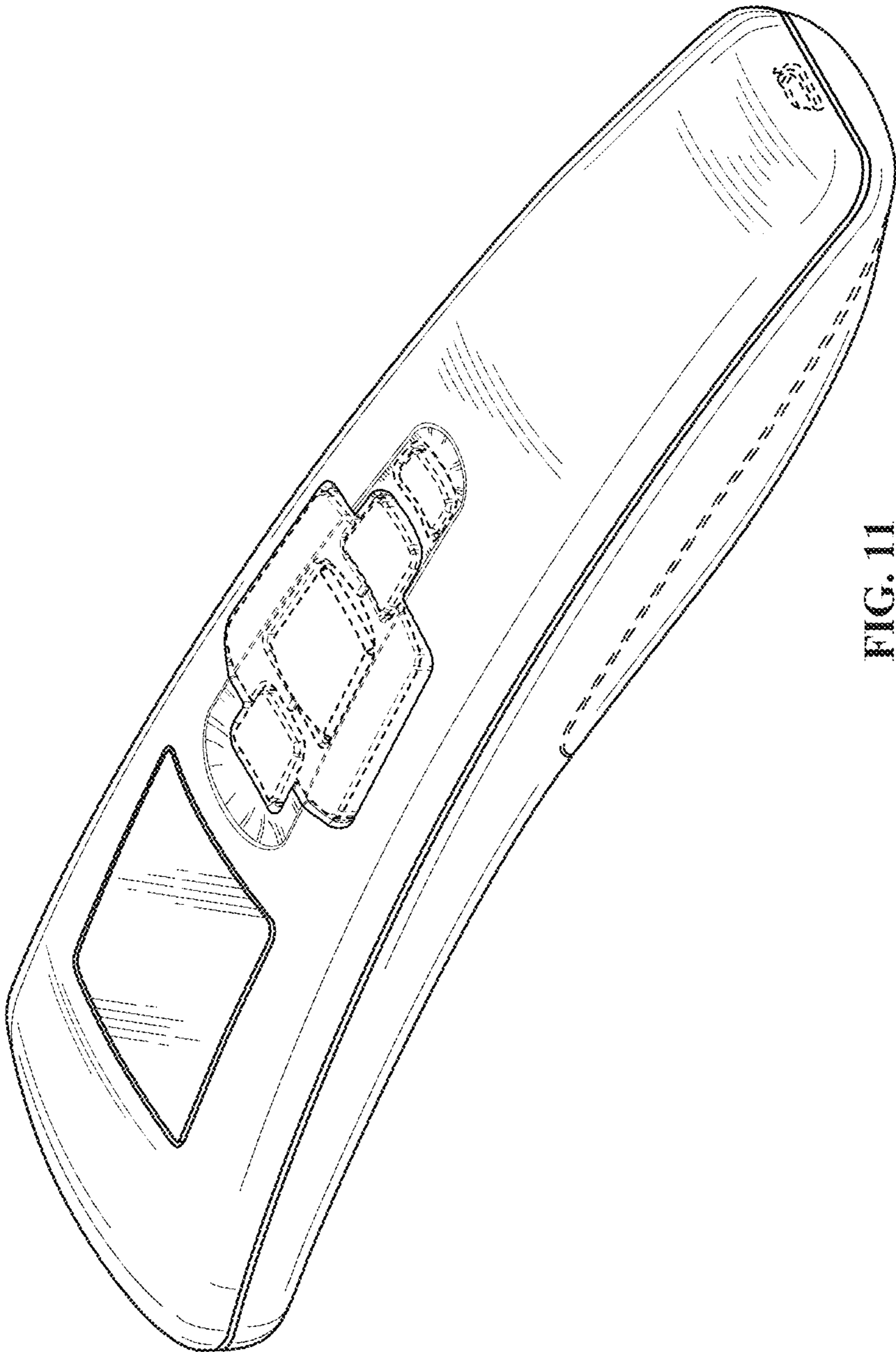


FIG. 11

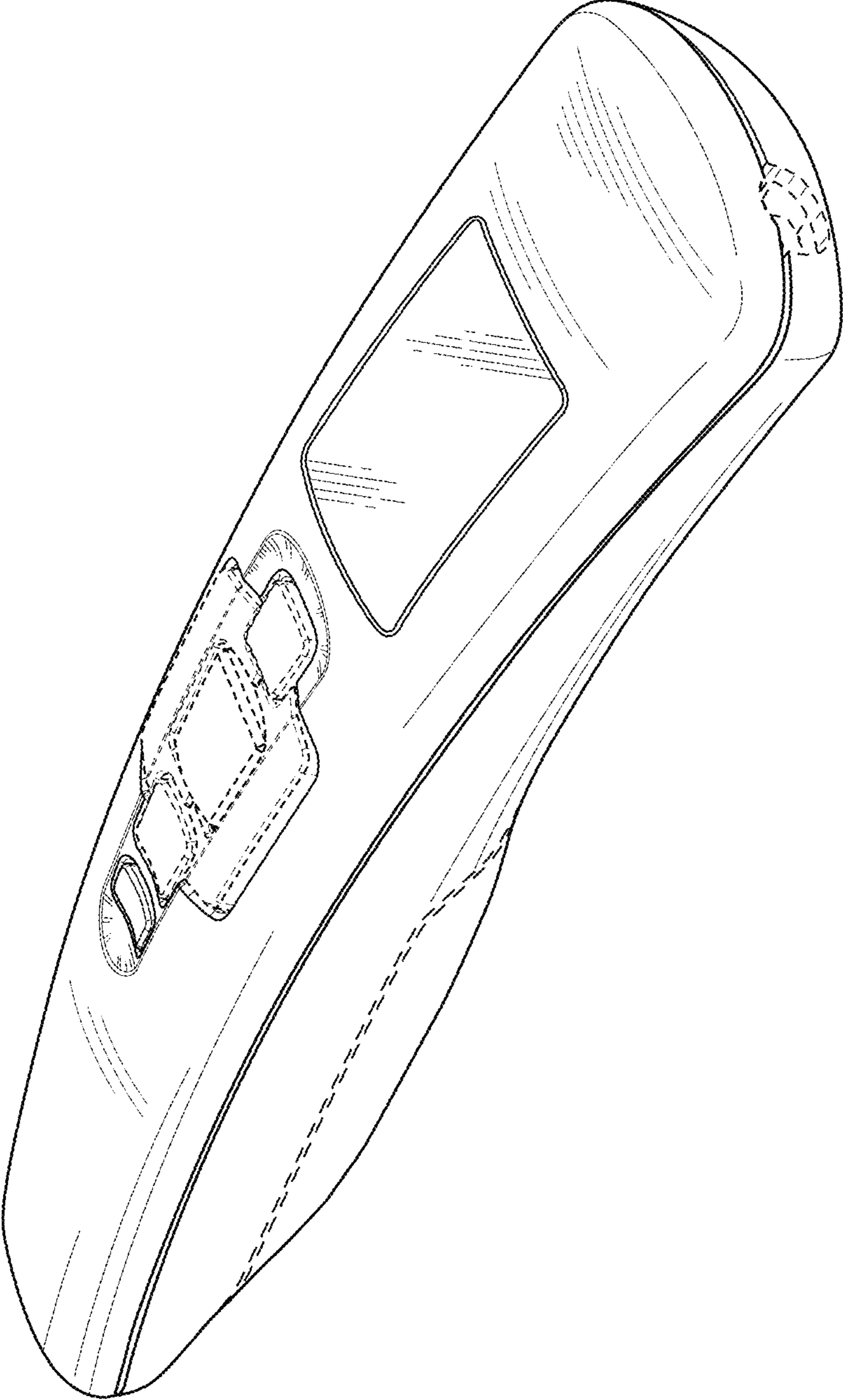


FIG. 12

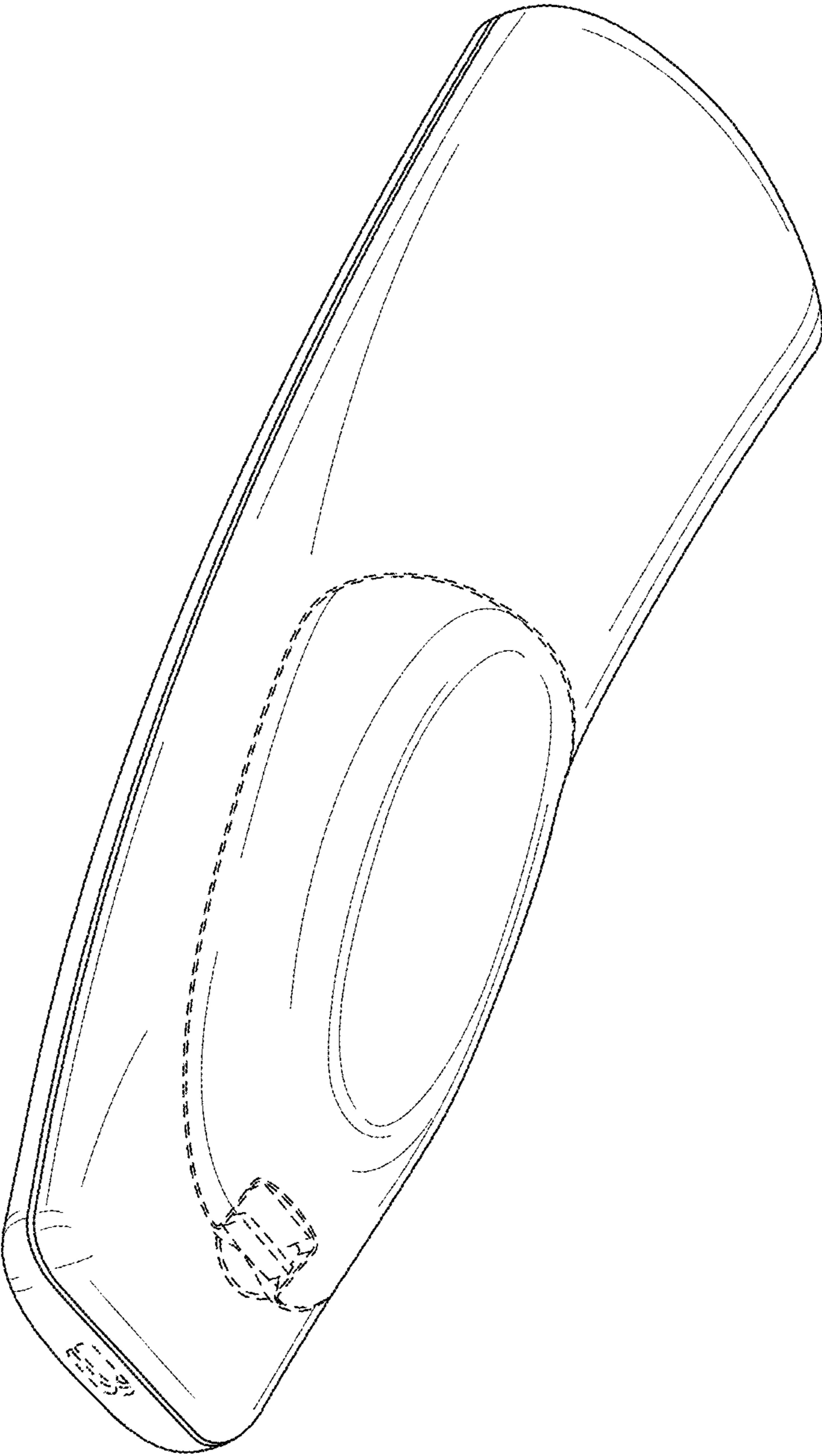


FIG. 13

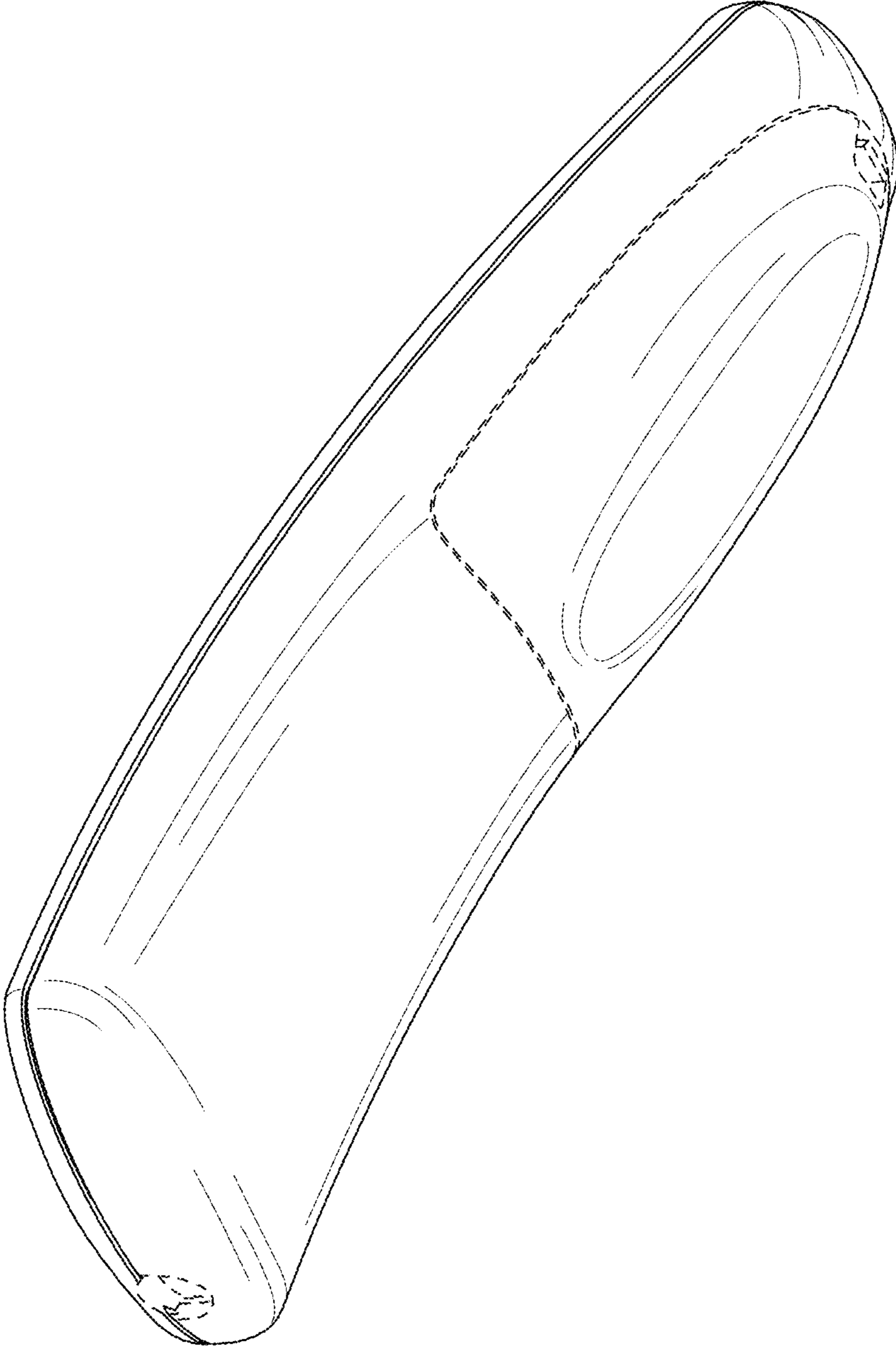


FIG. 14

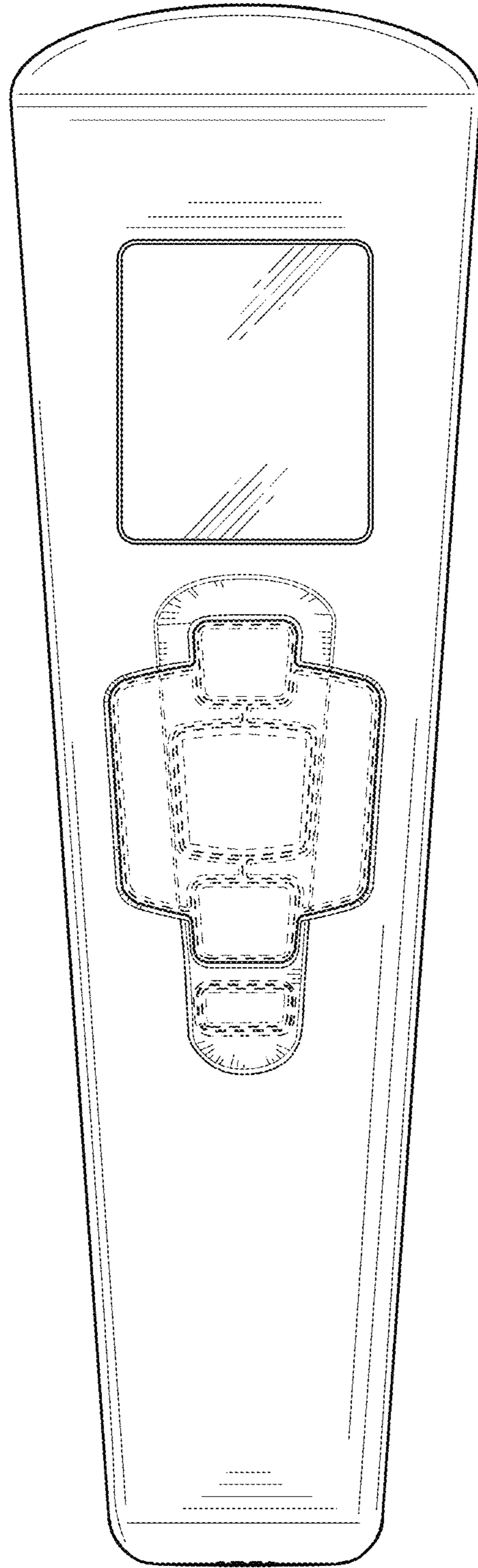


FIG. 15

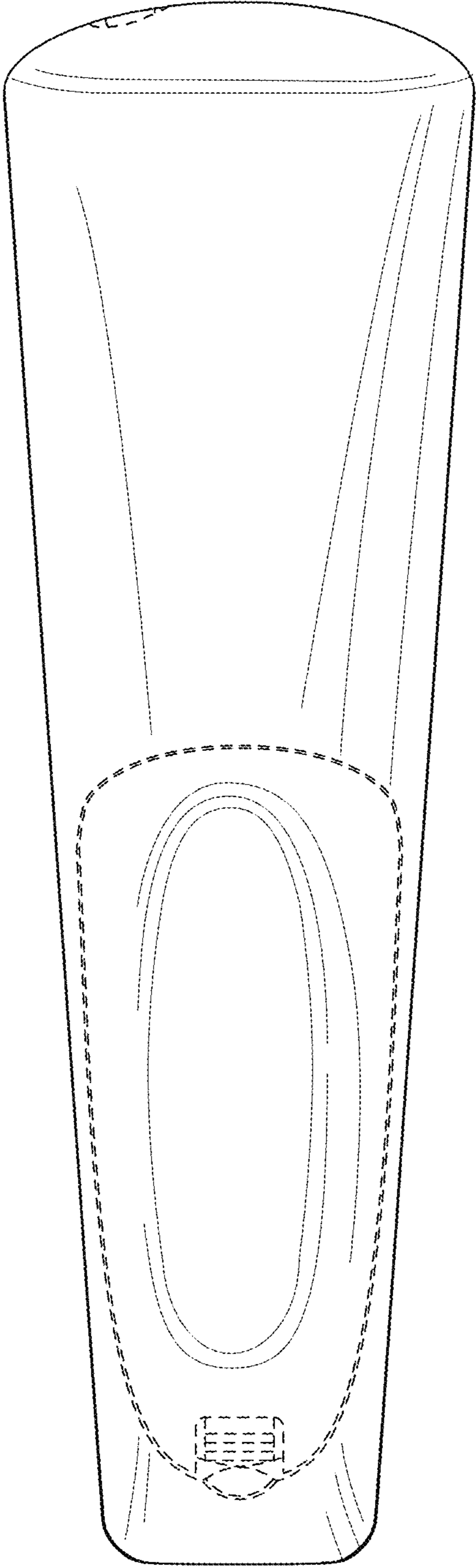


FIG. 16

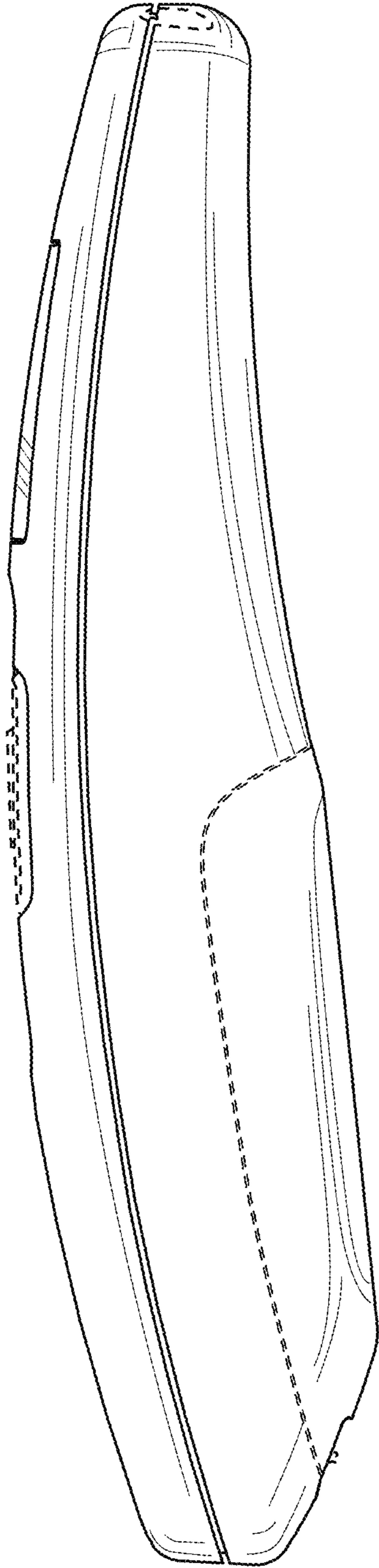


FIG. 17

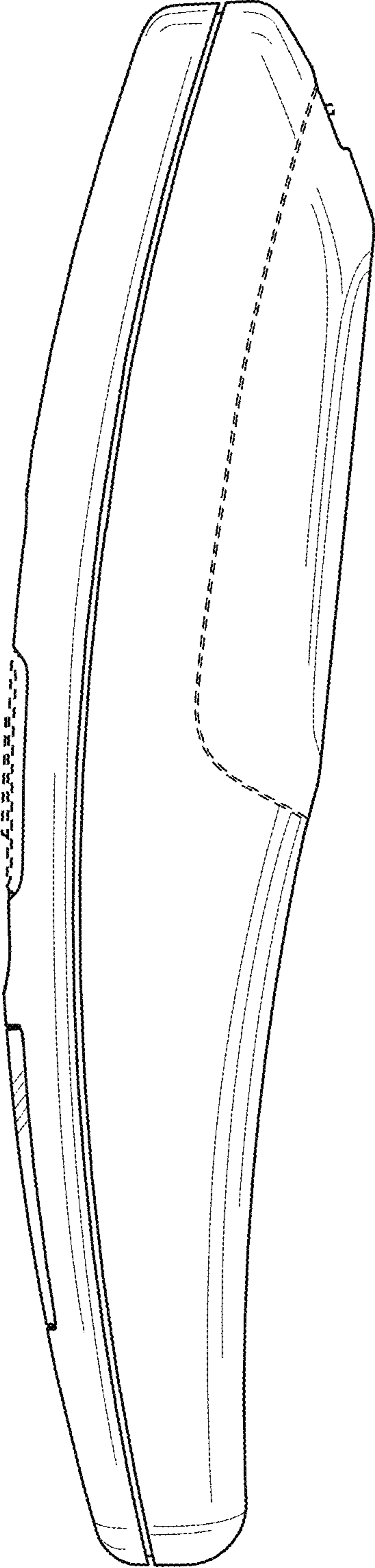


FIG. 18

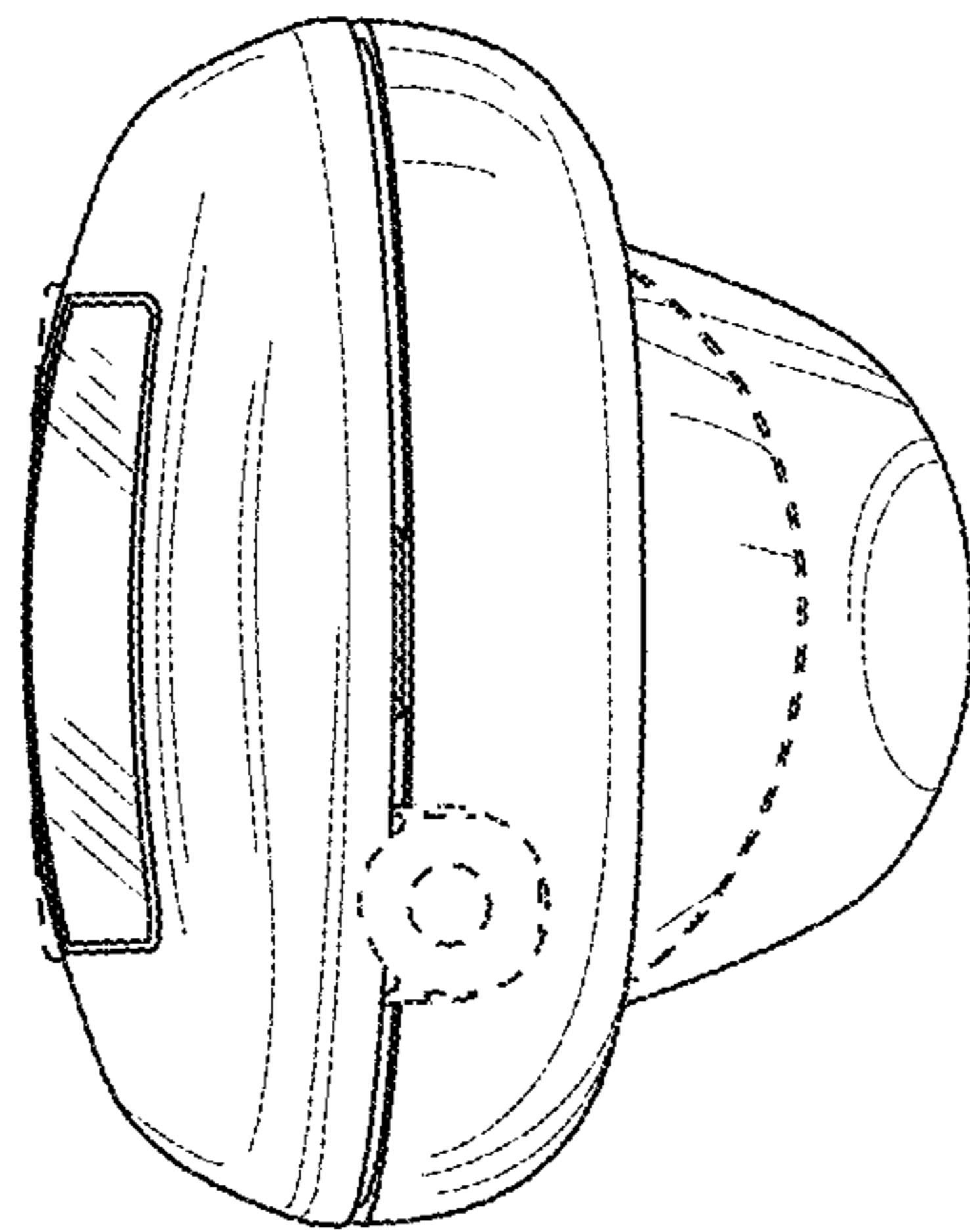


FIG. 19

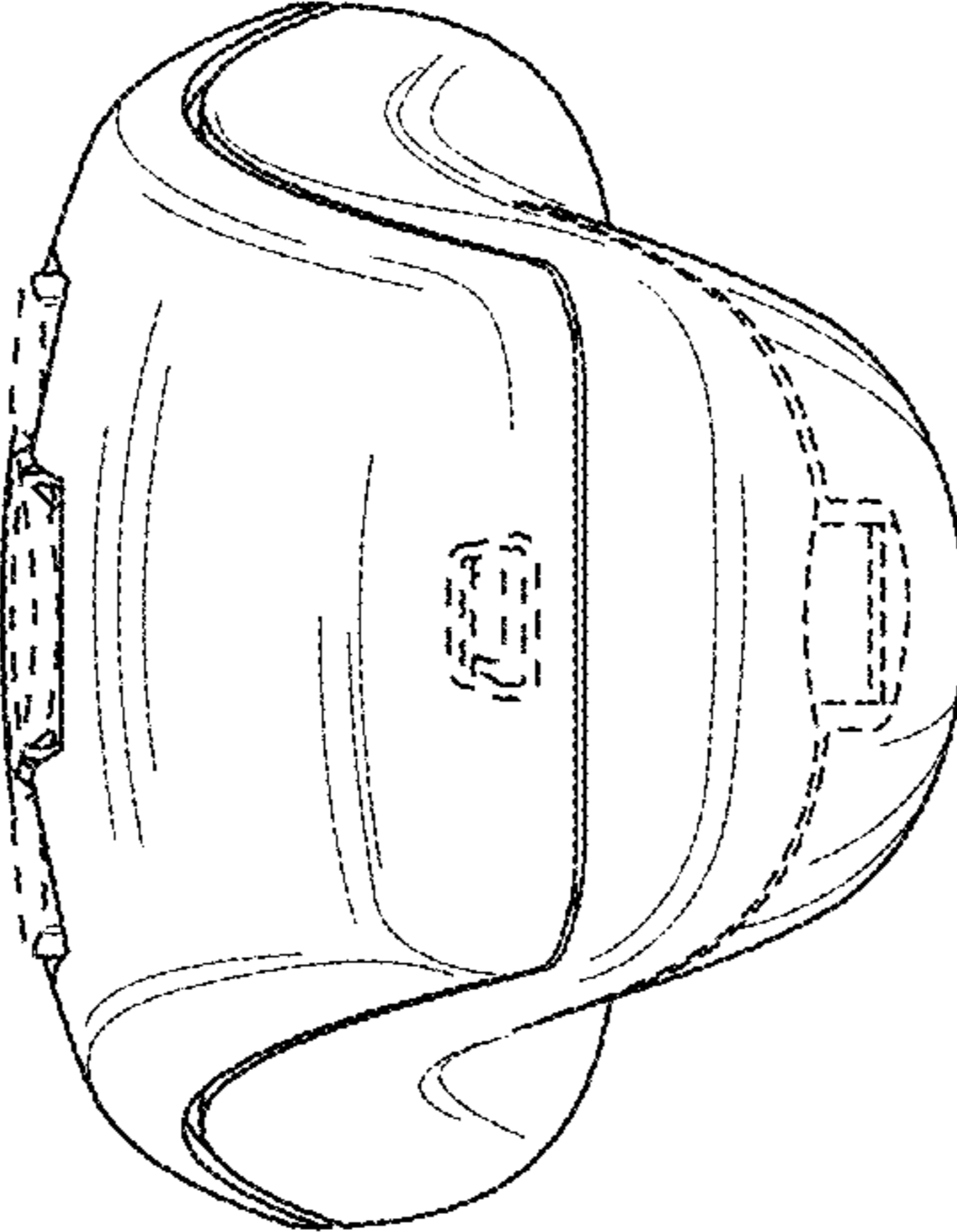


FIG. 20