



US00D740764S

(12) **United States Design Patent**
Schmelling

(10) **Patent No.:** **US D740,764 S**
(45) **Date of Patent:** **** Oct. 13, 2015**

- (54) **FOOT SWITCH**
- (71) Applicant: **LINAK A/S**, Nordborg (DK)
- (72) Inventor: **Steffen Schmelling**, København N. (DK)
- (73) Assignee: **Linak A/S**, Nordborg (DK)
- (**) Term: **14 Years**
- (21) Appl. No.: **29/494,496**
- (22) Filed: **Jun. 20, 2014**

5,132,498	A *	7/1992	Lee	200/523
D379,349	S *	5/1997	Nichols et al.	D13/167
D463,381	S *	9/2002	Westermann	D13/167
6,866,507	B2 *	3/2005	Beerstecher	433/101
6,962,581	B2 *	11/2005	Thoe	606/1
6,969,811	B1 *	11/2005	Lai	200/86.5
D517,500	S *	3/2006	Chow et al.	D13/167
7,019,234	B1 *	3/2006	Mezhinsky et al.	200/86.5
D519,467	S *	4/2006	Chow et al.	D13/167
7,058,998	B2 *	6/2006	Diller et al.	5/614
7,439,463	B2 *	10/2008	Brenner et al.	200/86.5
D660,255	S *	5/2012	James et al.	D13/167
D692,401	S *	10/2013	Li et al.	D13/174
D715,746	S *	10/2014	Schmelling	D13/174
2005/0172404	A1 *	8/2005	Diller et al.	5/616
2010/0241115	A1 *	9/2010	Benamou et al.	606/33

Related U.S. Application Data

- (62) Division of application No. 29/437,373, filed on Nov. 15, 2012, now Pat. No. Des. 715,746.

Foreign Application Priority Data

- May 16, 2012 (DK) 2012 00072
- (51) **LOC (10) Cl.** **13-03**
- (52) **U.S. Cl.**
USPC **D13/167**
- (58) **Field of Classification Search**
USPC D13/158, 167, 174; D24/179; 200/86.5
CPC A61B 17/00; A61B 2017/00973;
G05G 1/305; H01H 3/14; H01H 13/14;
H01H 13/16; G06F 3/0343
See application file for complete search history.

References Cited

U.S. PATENT DOCUMENTS

- 3,855,704 A * 12/1974 Booth 433/101
- 4,114,275 A * 9/1978 Jones et al. 433/101

* cited by examiner

Primary Examiner — Selina Sikder

(74) *Attorney, Agent, or Firm* — Dykema Gossett PLLC

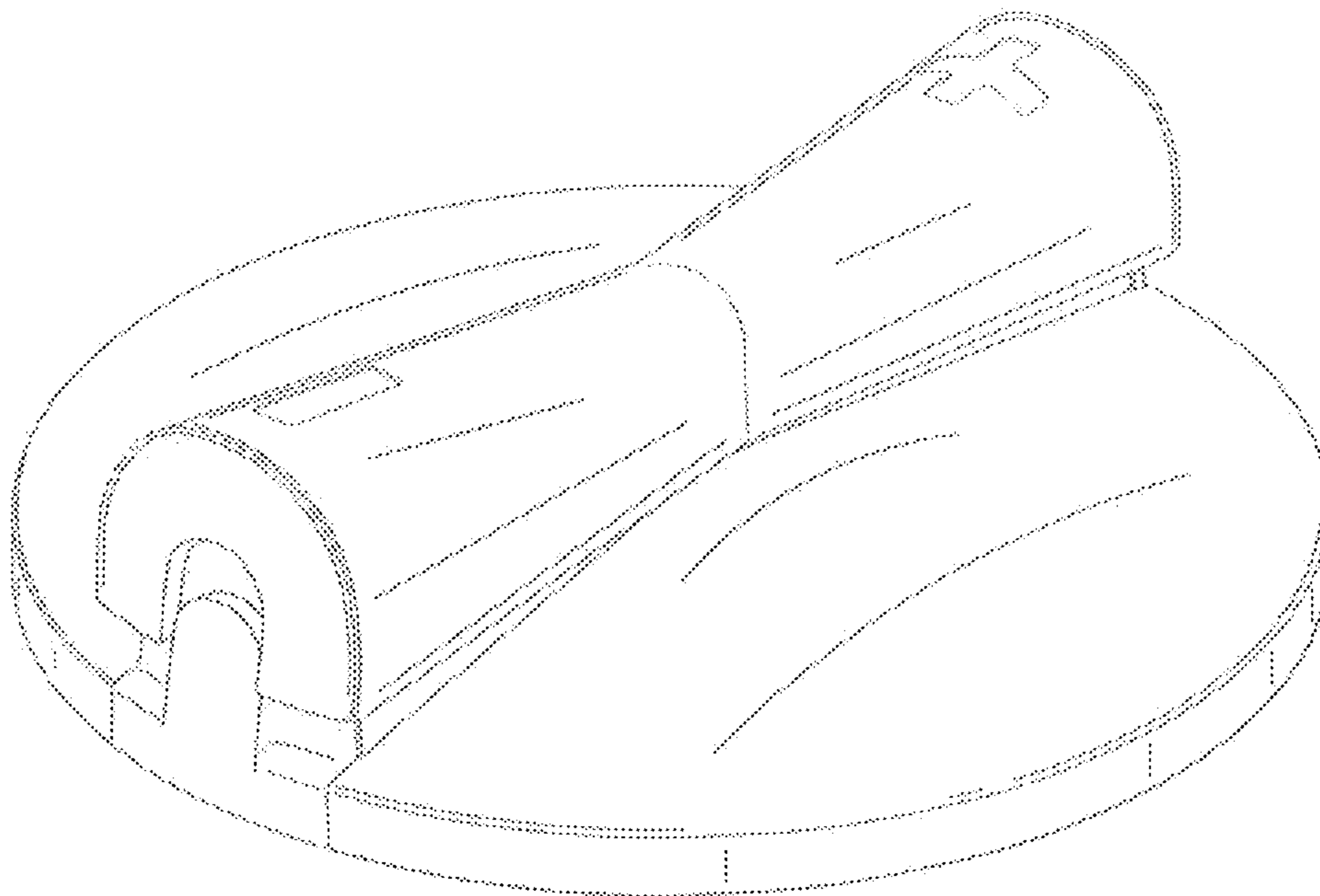
CLAIM

(57) The ornamental design for a foot switch, as shown and described.

DESCRIPTION

FIG. 1 shows a perspective top view of a foot switch showing my new design,
 FIG. 2 is a top plan view thereof,
 FIG. 3 is a left side elevational view thereof,
 FIG. 4 is a right side elevational view thereof,
 FIG. 5 is a front elevational view thereof,
 FIG. 6 is a rear elevational view thereof,
 FIG. 7 is a perspective bottom view thereof; and,
 FIG. 8 is a bottom plan view thereof.

1 Claim, 8 Drawing Sheets



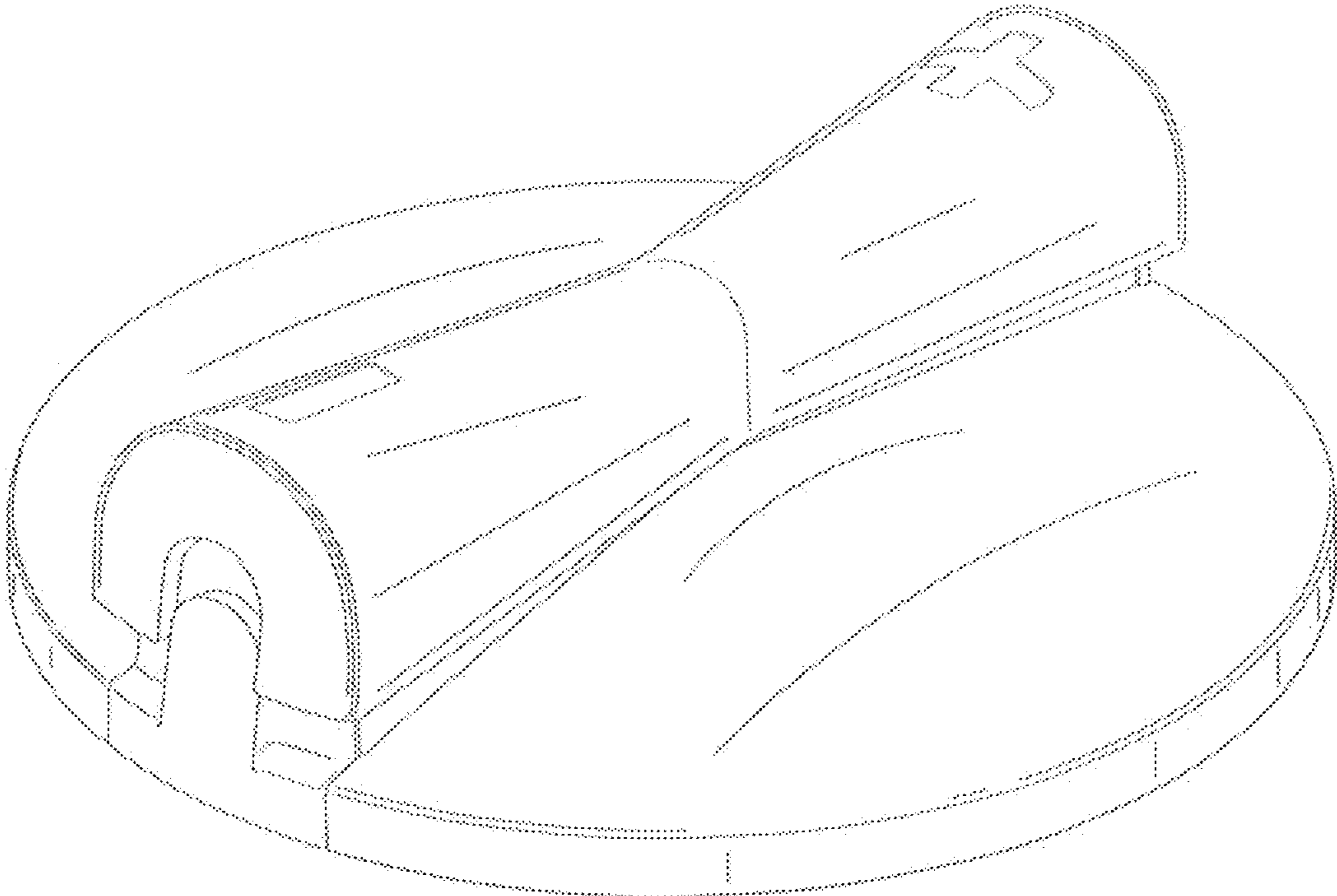


Fig. 1

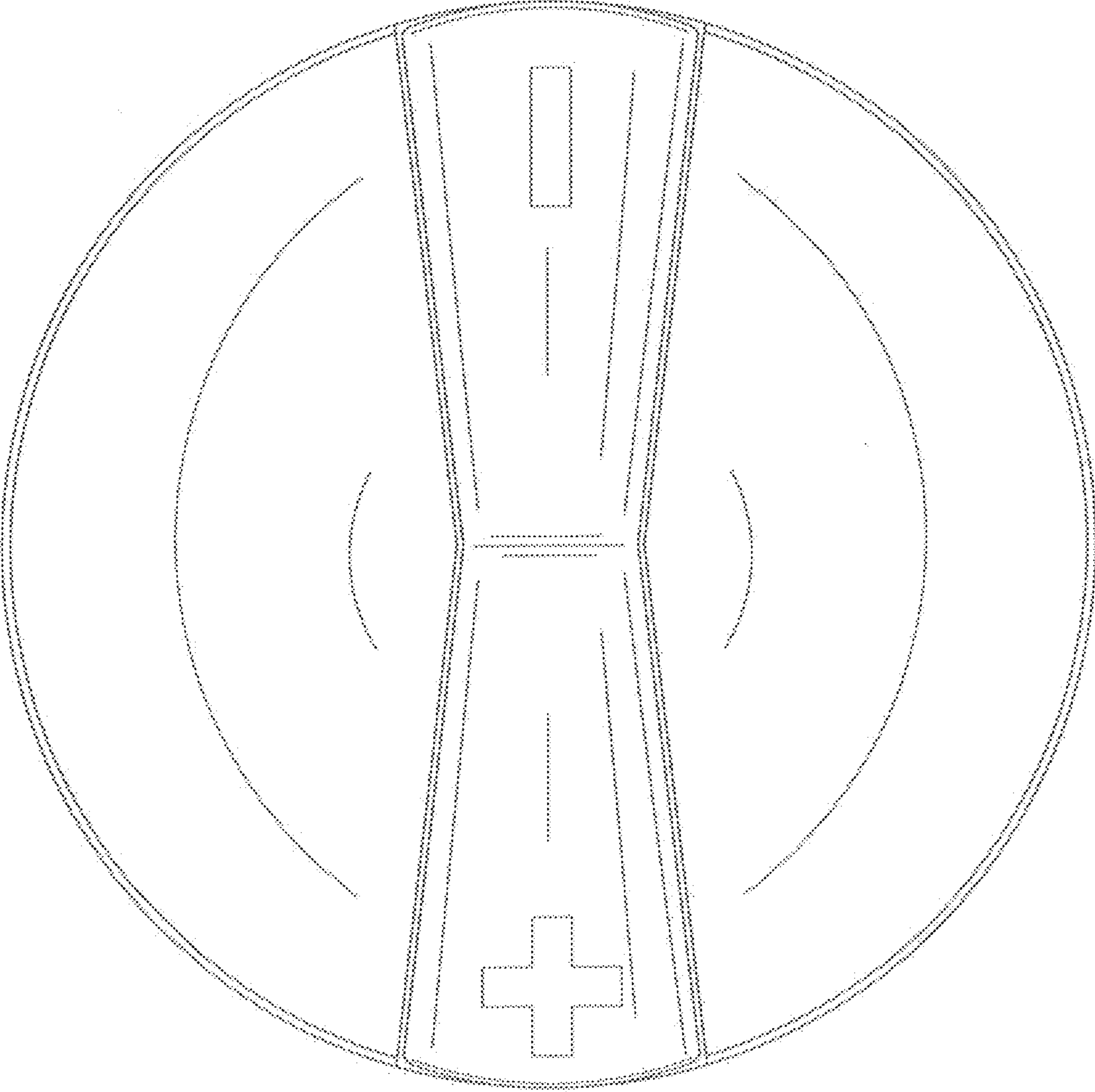


Fig. 2

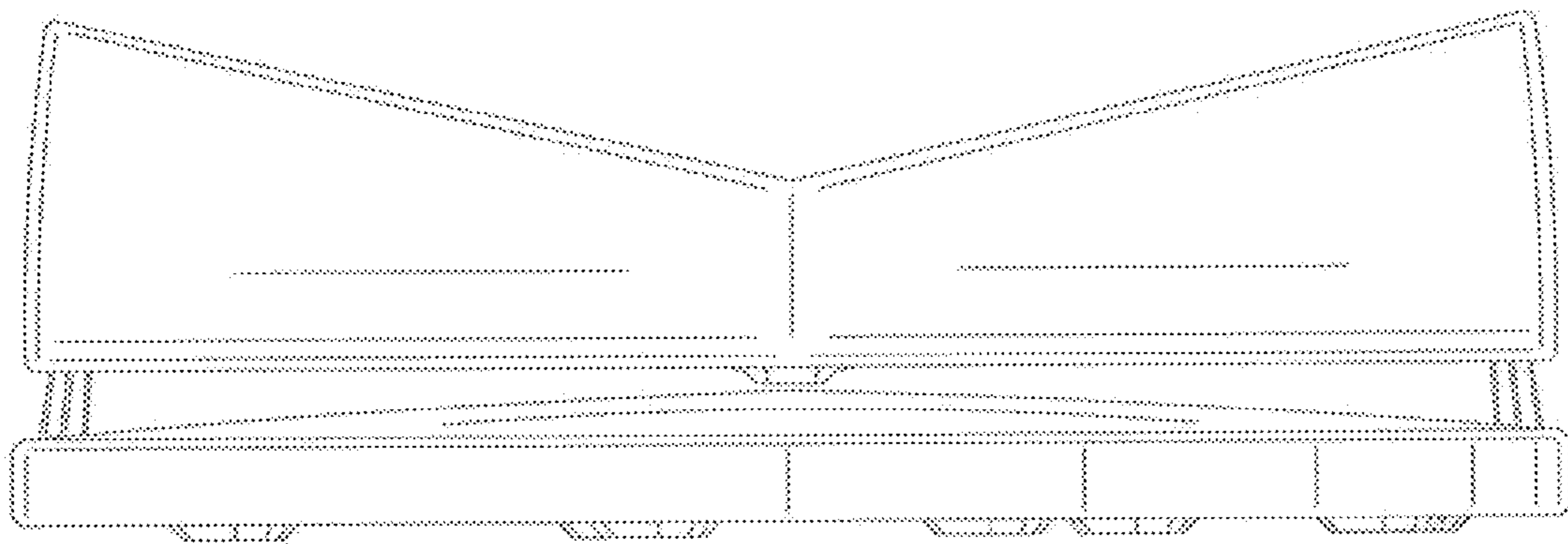


Fig. 3

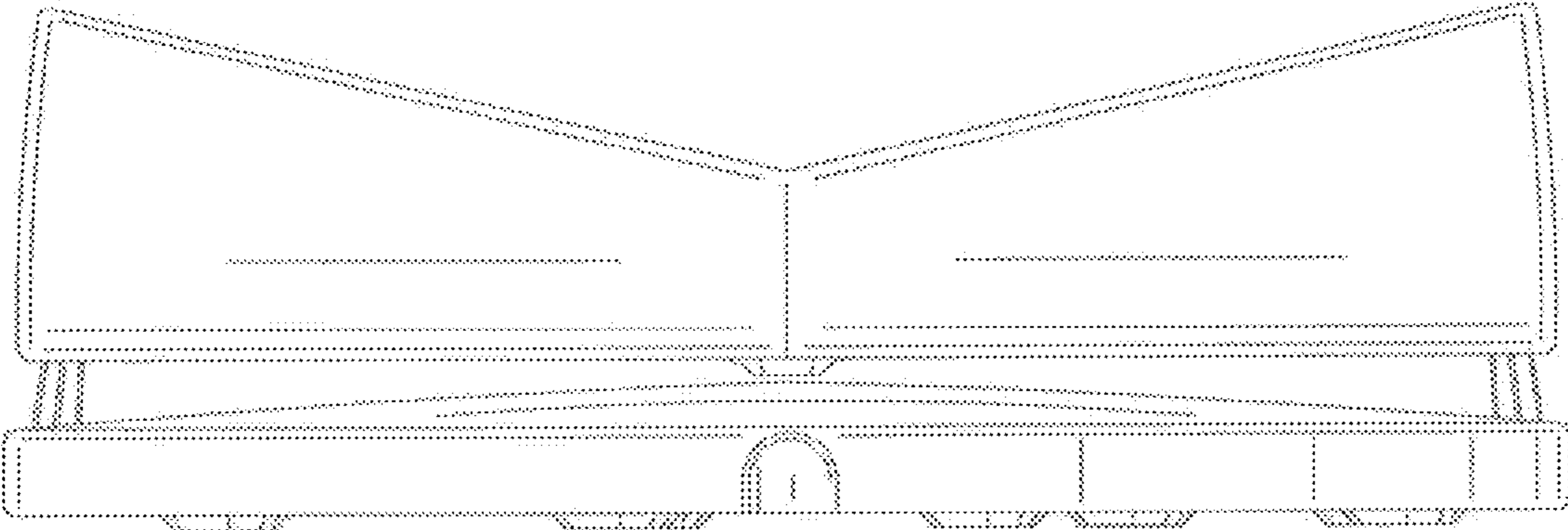


Fig. 4

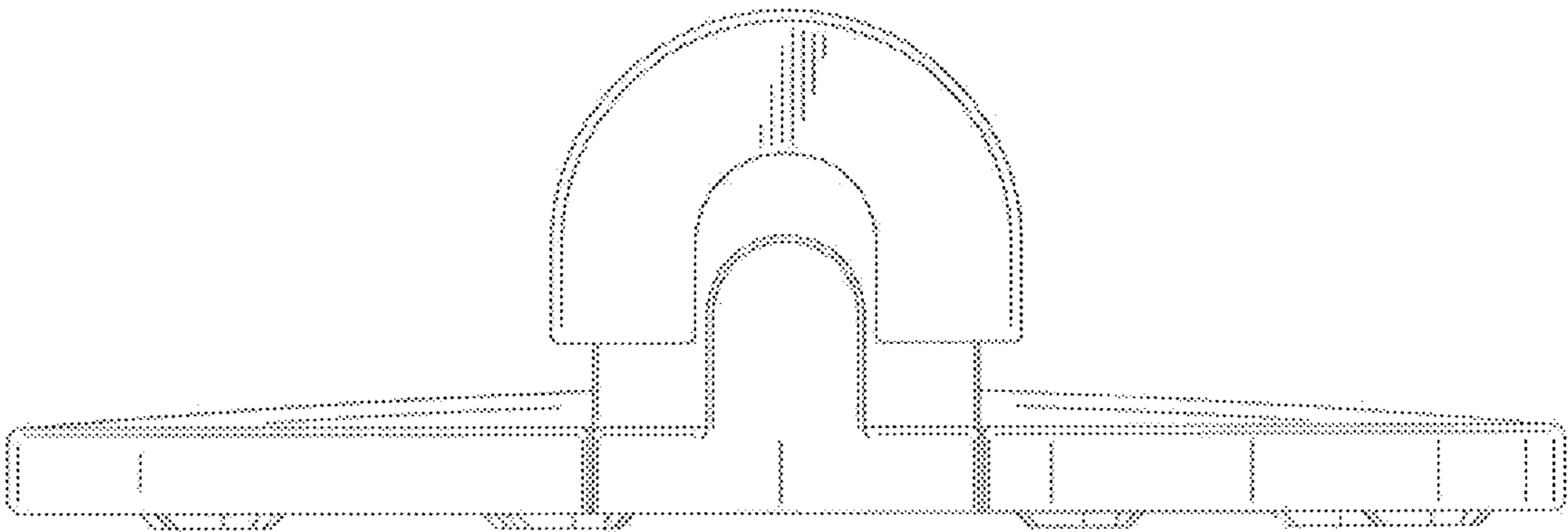


Fig. 5

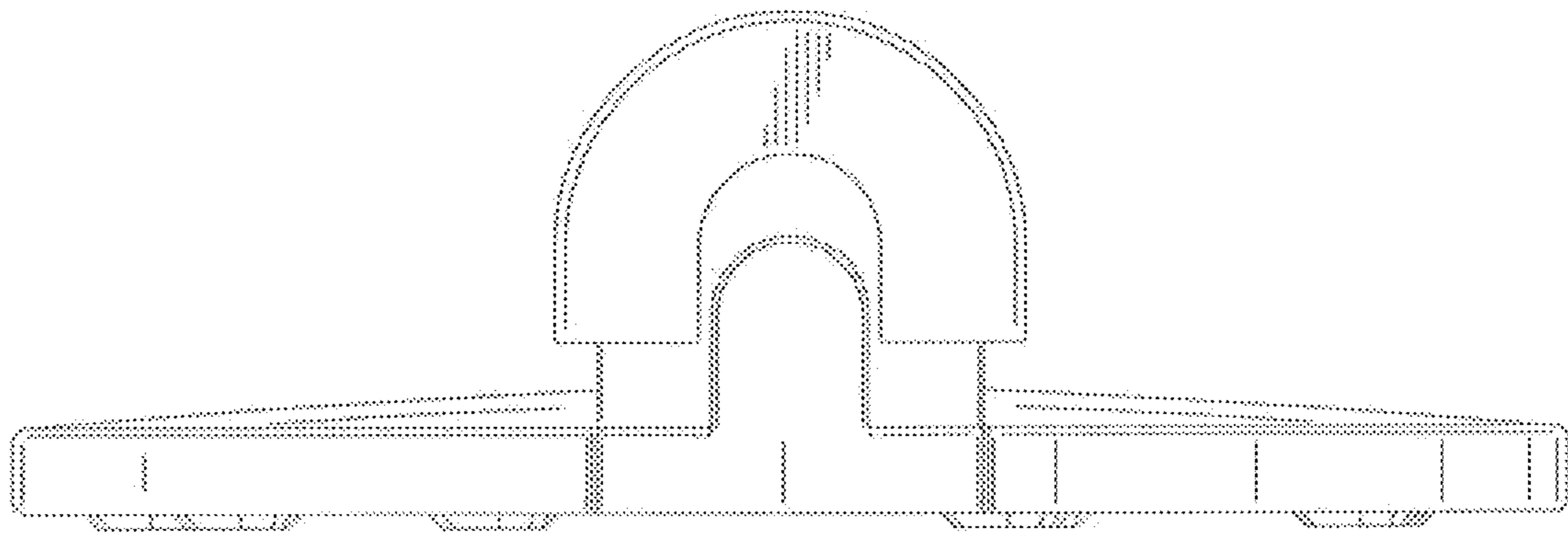


Fig. 6

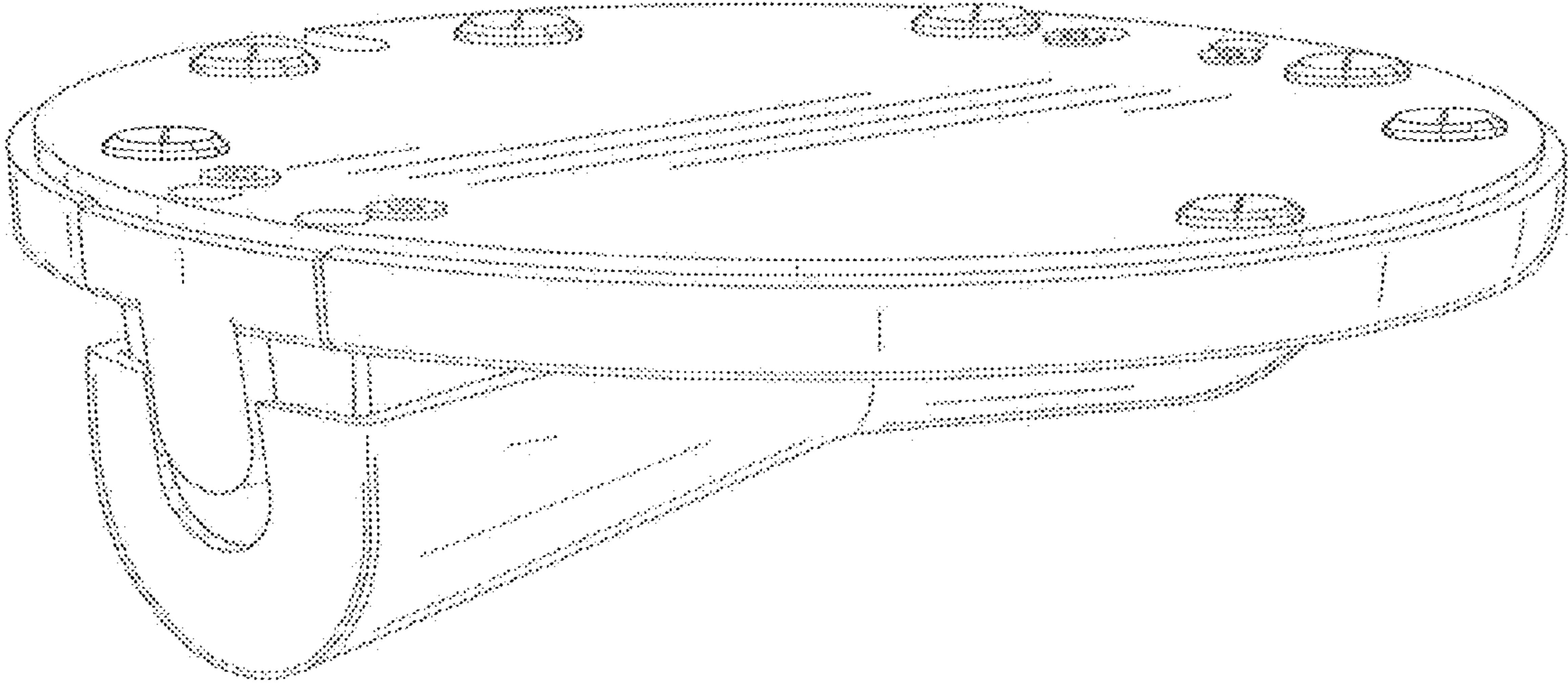


Fig. 7

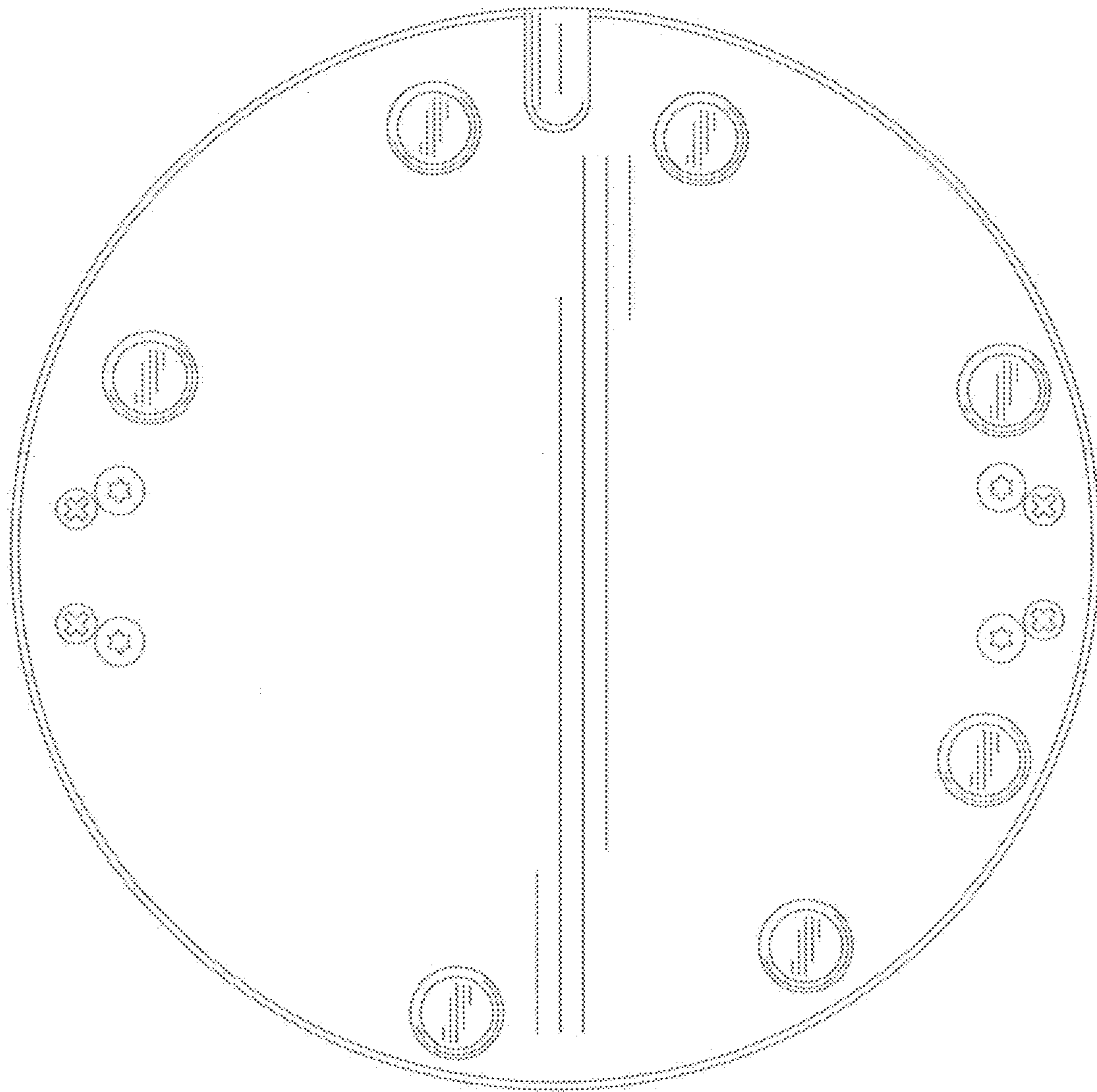


Fig. 8