



US00D740763S

(12) **United States Design Patent**  
**Wenji**

(10) **Patent No.:** **US D740,763 S**

(45) **Date of Patent:** **\*\* Oct. 13, 2015**

(54) **SMART FURNITURE CONTROL BOX**

(74) *Attorney, Agent, or Firm* — Bass, Berry & Sims, PLC

(71) Applicant: **eMoMo Technology Co., Ltd.**, Baoan, Shenzhen (CN)

(57) **CLAIM**

The ornamental design for a smart furniture control box, as shown and described.

(72) Inventor: **Tang Wenji**, Shenzhen (CN)

**DESCRIPTION**

(73) Assignee: **eMoMo Technology Co.**, Shenzhen (CN)

(\*\*) Term: **14 Years**

(21) Appl. No.: **29/496,364**

(22) Filed: **Jul. 11, 2014**

(30) **Foreign Application Priority Data**

Mar. 27, 2014 (CN) ..... 2014 3 0074611

(51) **LOC (10) Cl.** ..... **13-03**

(52) **U.S. Cl.**  
USPC ..... **D13/162**

(58) **Field of Classification Search**  
USPC ..... D13/139.4, 162, 164, 168; D10/49;  
D14/305

CPC ..... H01H 3/022; H01H 3/12; H01H 3/122;  
H01H 9/0235; H01H 13/023; H01H 13/04;  
H01H 13/14; H01H 13/86; H01H 25/065;  
A47C 1/0345; A47C 1/035; A47C 7/506

See application file for complete search history.

(56) **References Cited**

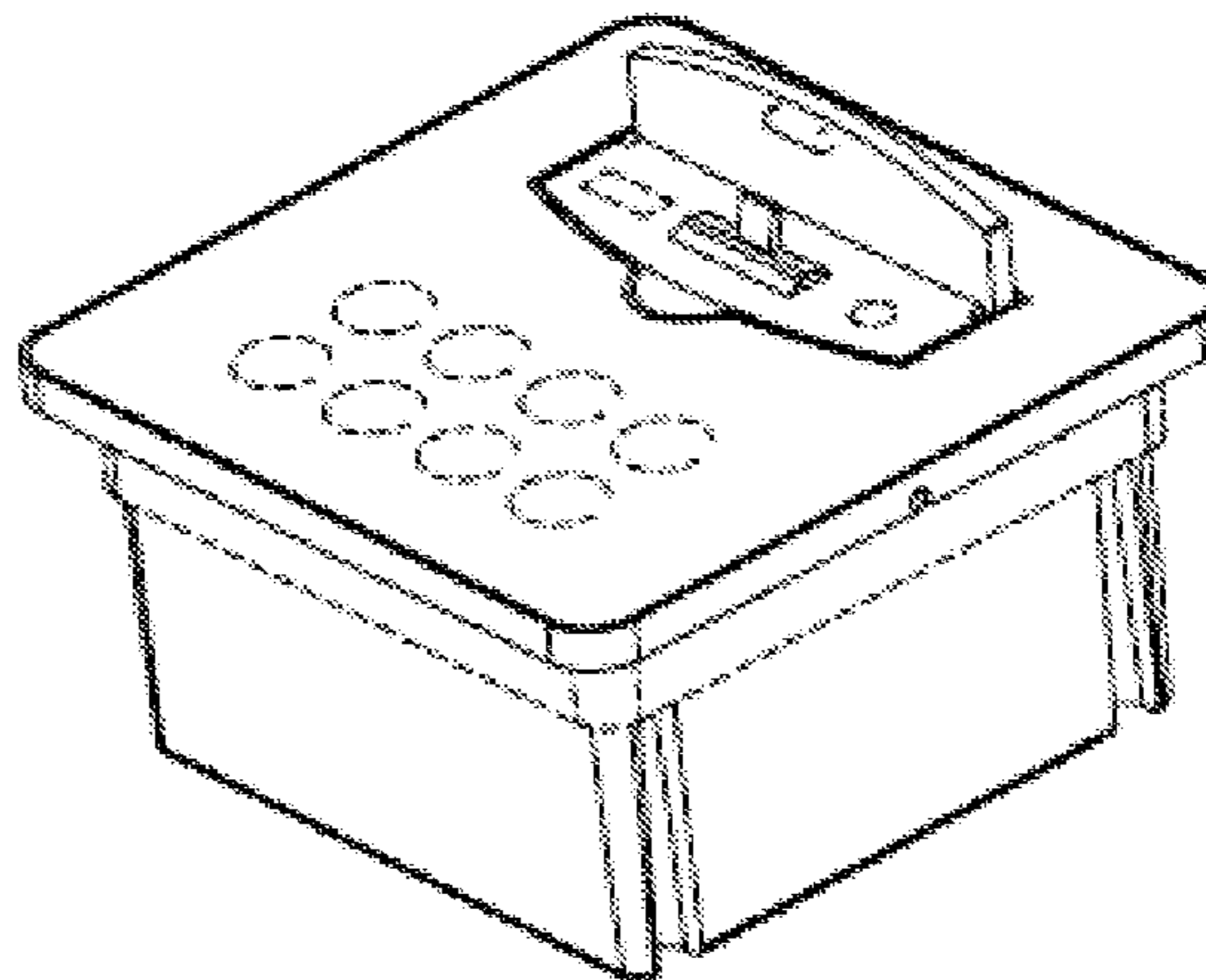
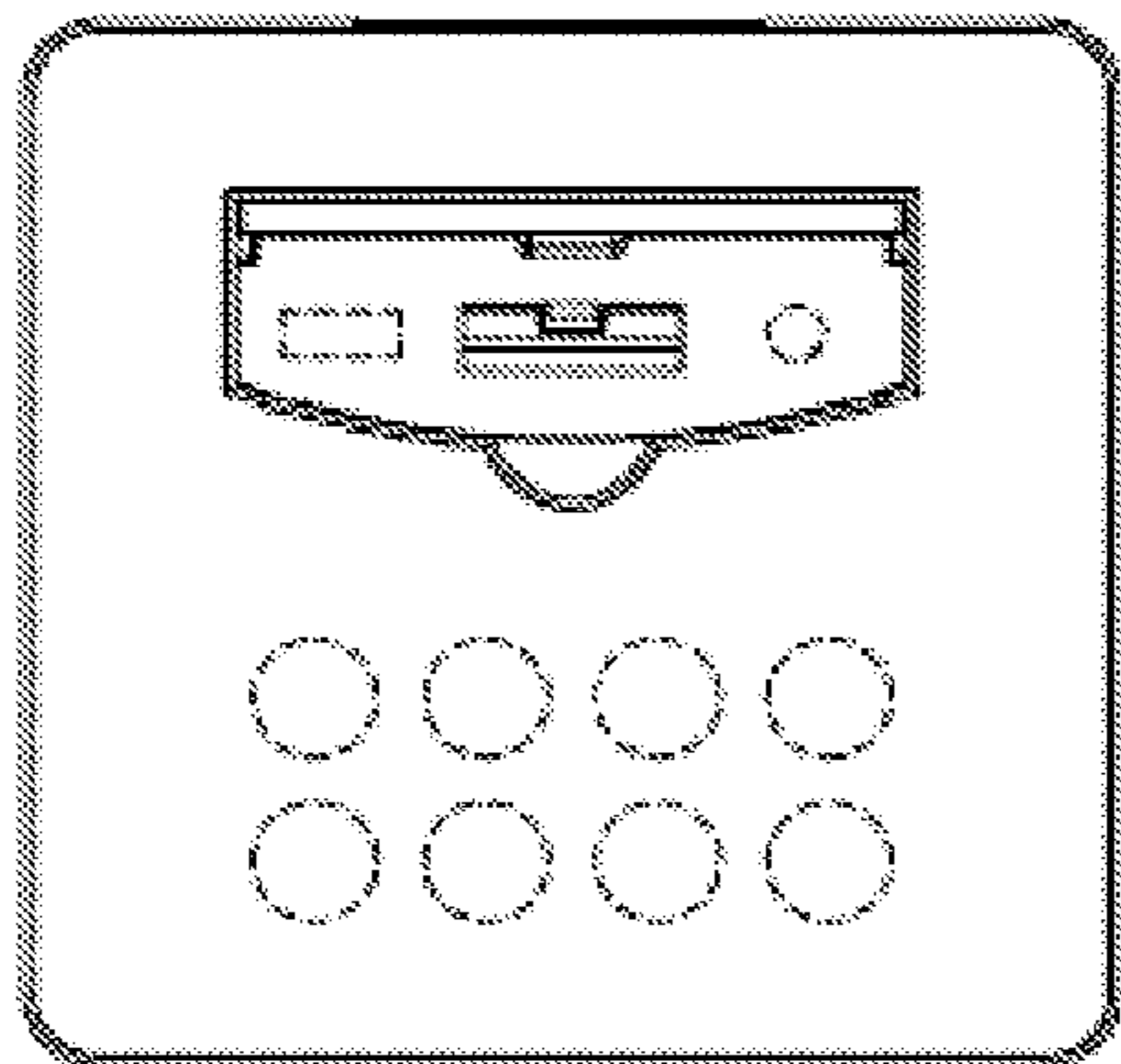
**U.S. PATENT DOCUMENTS**

D353,363 S \* 12/1994 Toby ..... D13/139.4  
D465,201 S \* 11/2002 Gershfeld ..... D13/139.4  
D473,525 S \* 4/2003 Pincek et al. .... D13/162  
6,923,502 B2 \* 8/2005 Cassaday ..... 297/217.3  
D613,625 S \* 4/2010 Schneor ..... D10/49  
D626,542 S \* 11/2010 Libman et al. .... D14/305  
7,874,695 B2 \* 1/2011 Jensen ..... 362/130  
D639,681 S \* 6/2011 Rodriguez et al. .... D10/49

(Continued)

*Primary Examiner* — Selina Sikder

**1 Claim, 4 Drawing Sheets**



# US D740,763 S

Page 2

---

(56)

## References Cited

### U.S. PATENT DOCUMENTS

8,312,578 B2 *	11/2012	L'Hegarat et al. ....	5/600	
D689,825 S *	9/2013	Wenji et al. ....	D13/162	* cited by examiner
8,766,115 B2 *	7/2014	Kristen .....	200/5 A	
D720,305 S *	12/2014	Wenji .....	D13/174	
2011/0198894 A1 *	8/2011	Hsieh et al. ....	297/68	

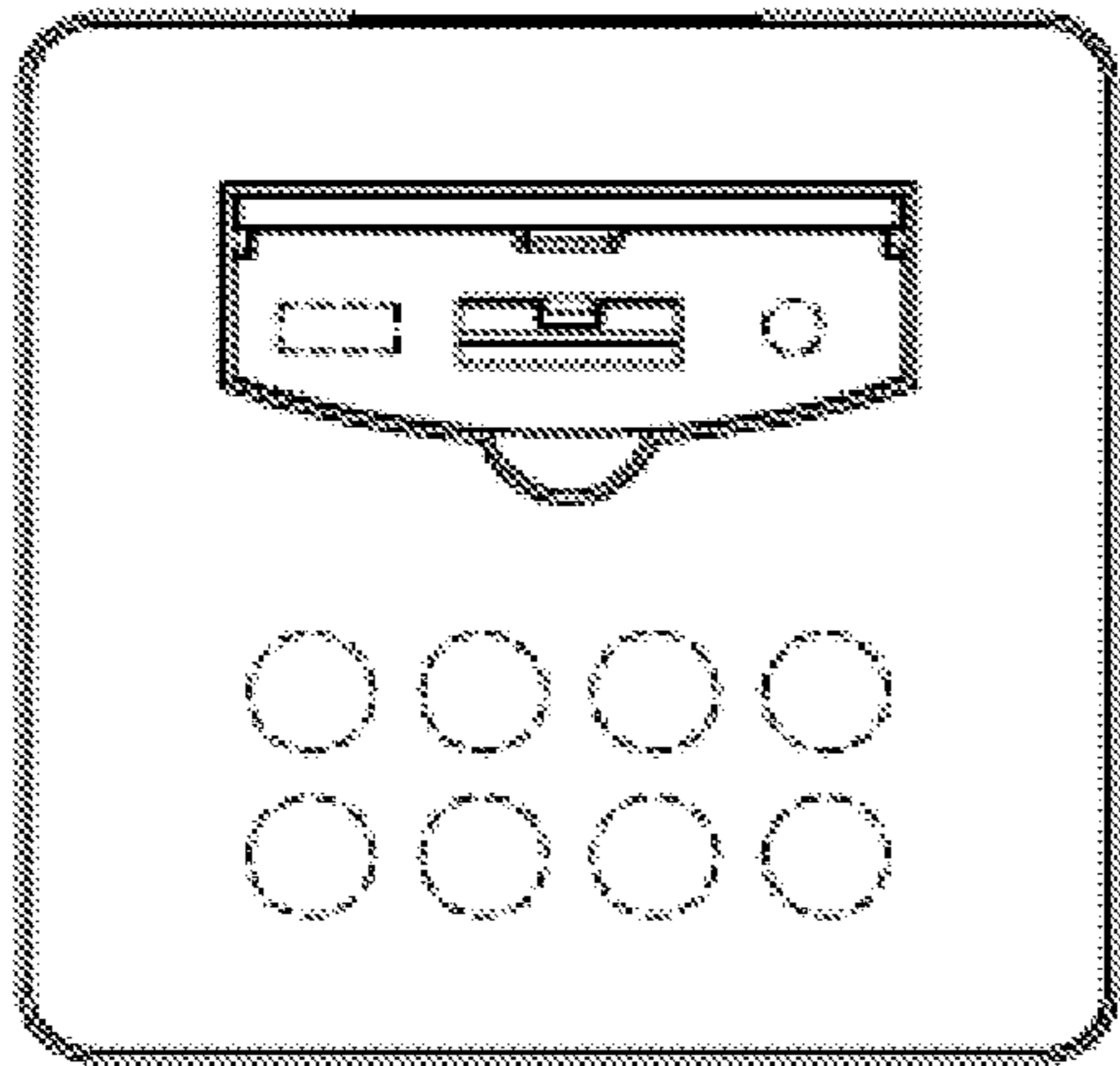


FIG. 1

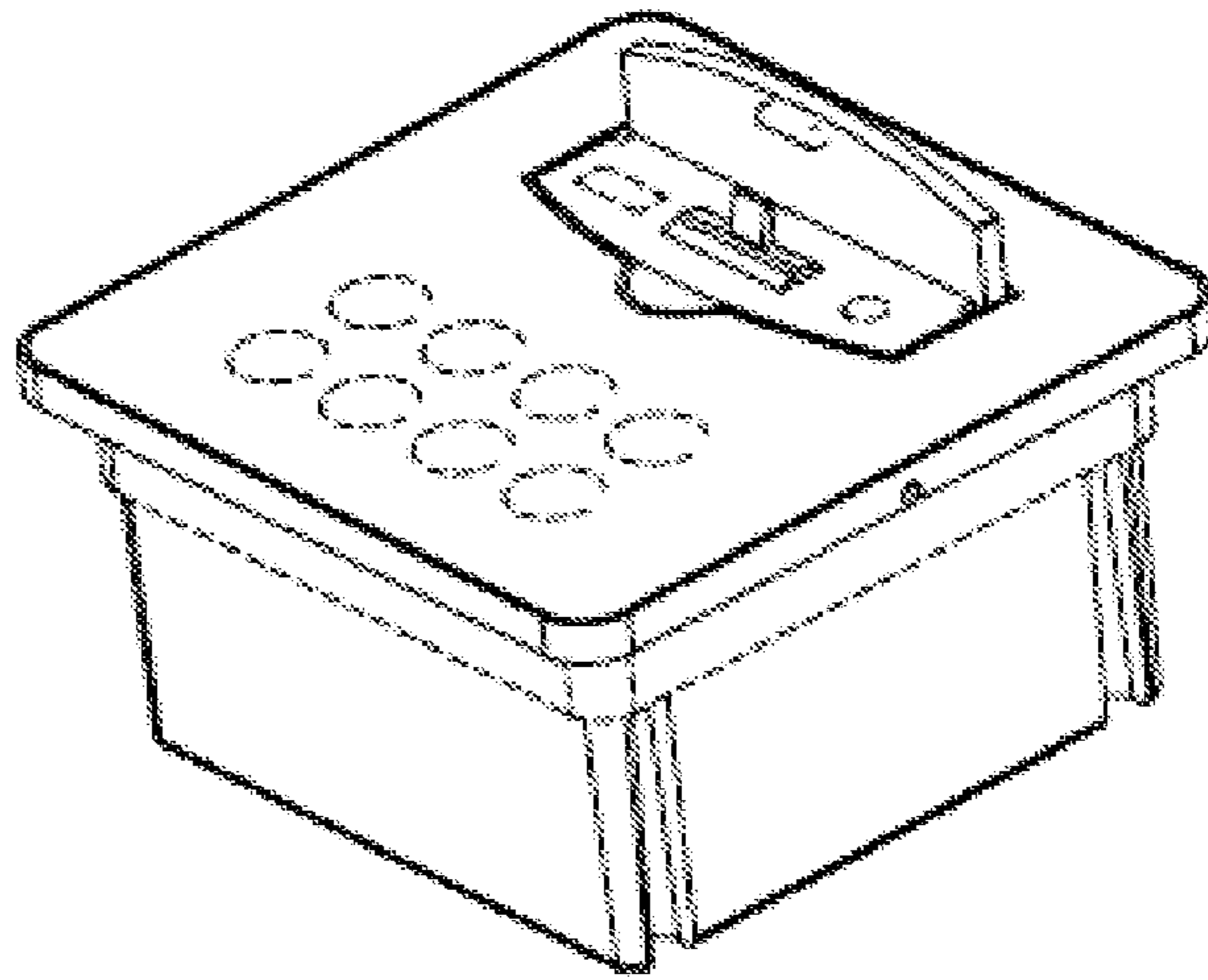


FIG. 2

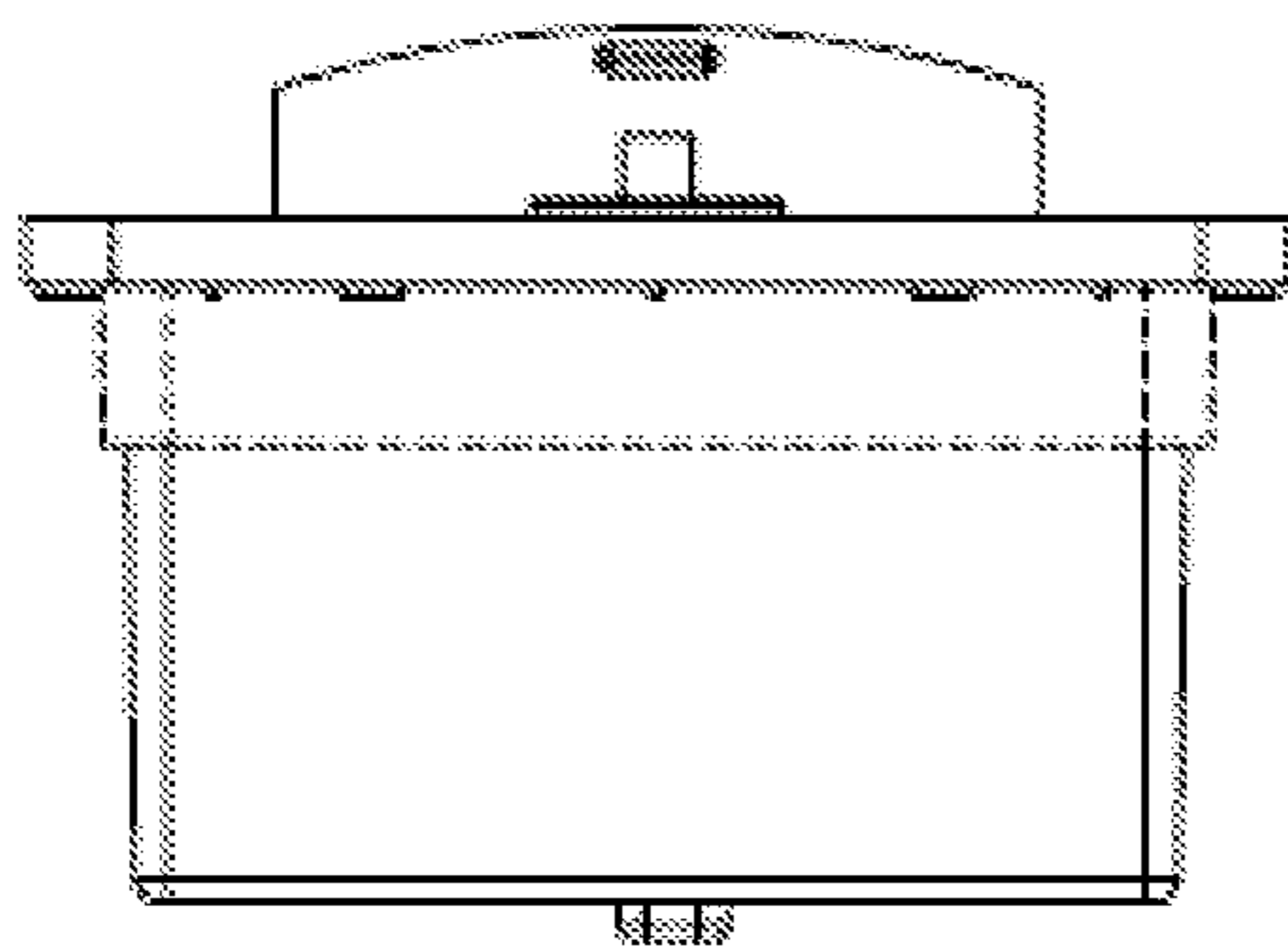


FIG. 3

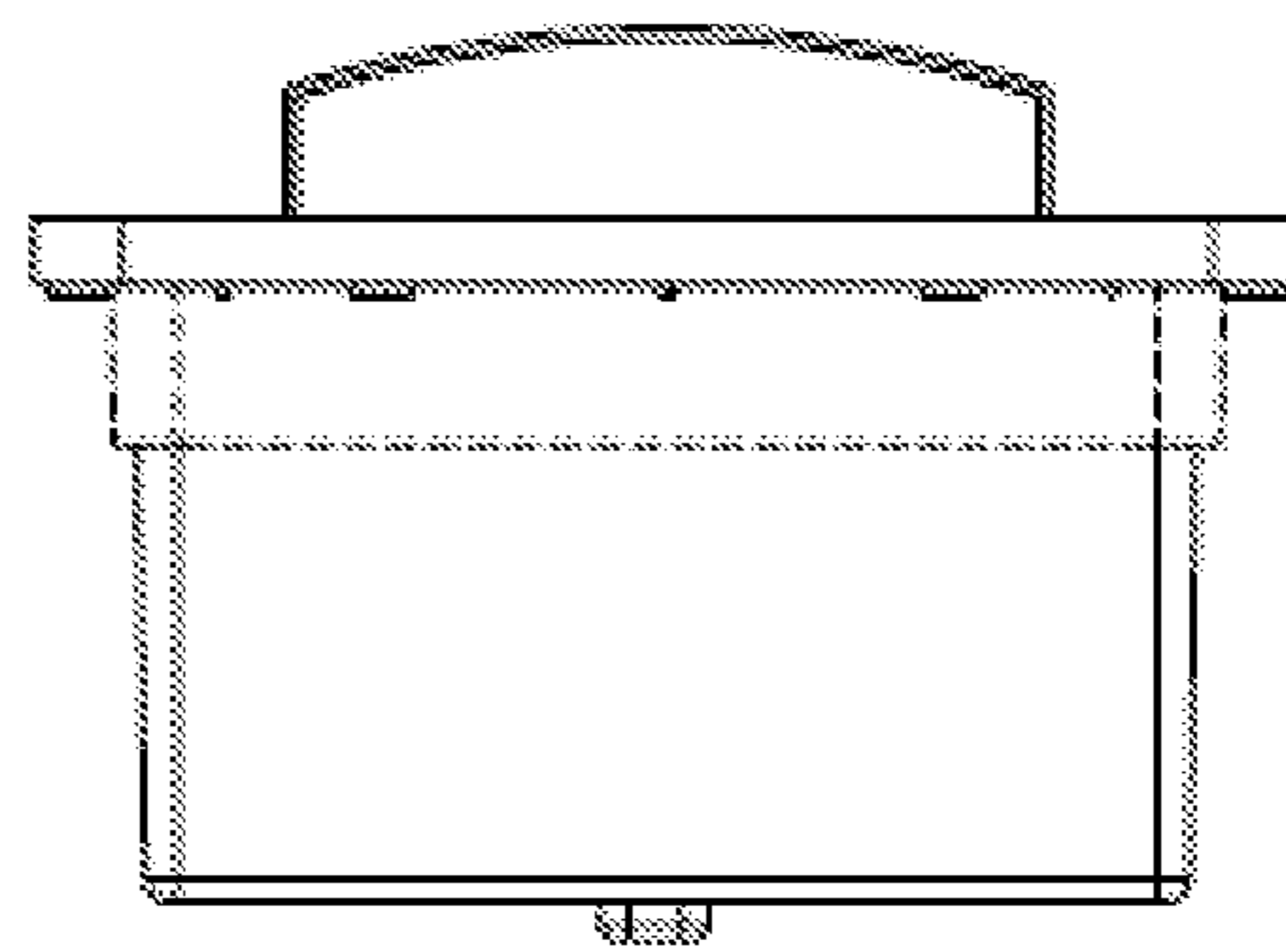


FIG. 4

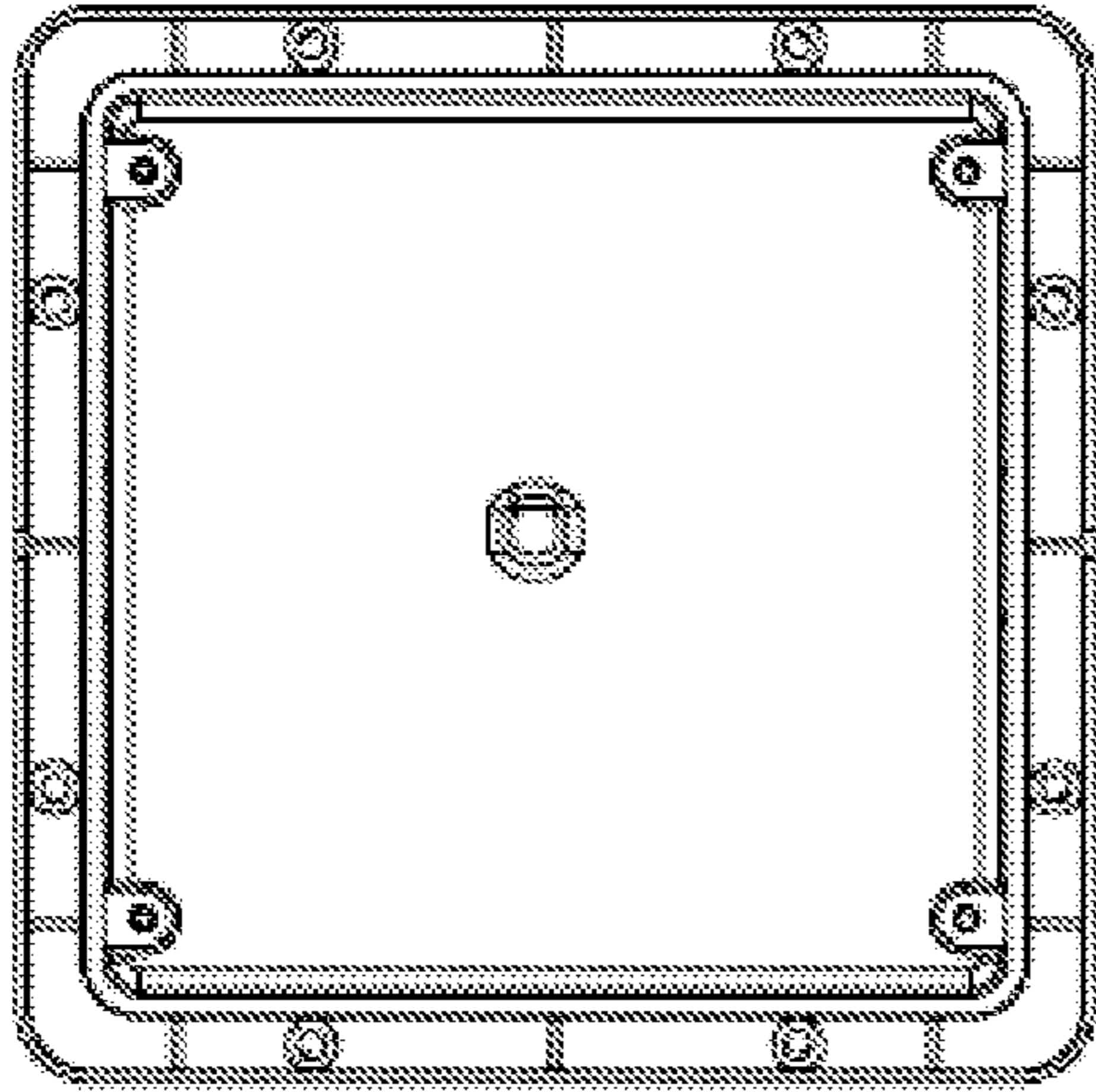


FIG. 5

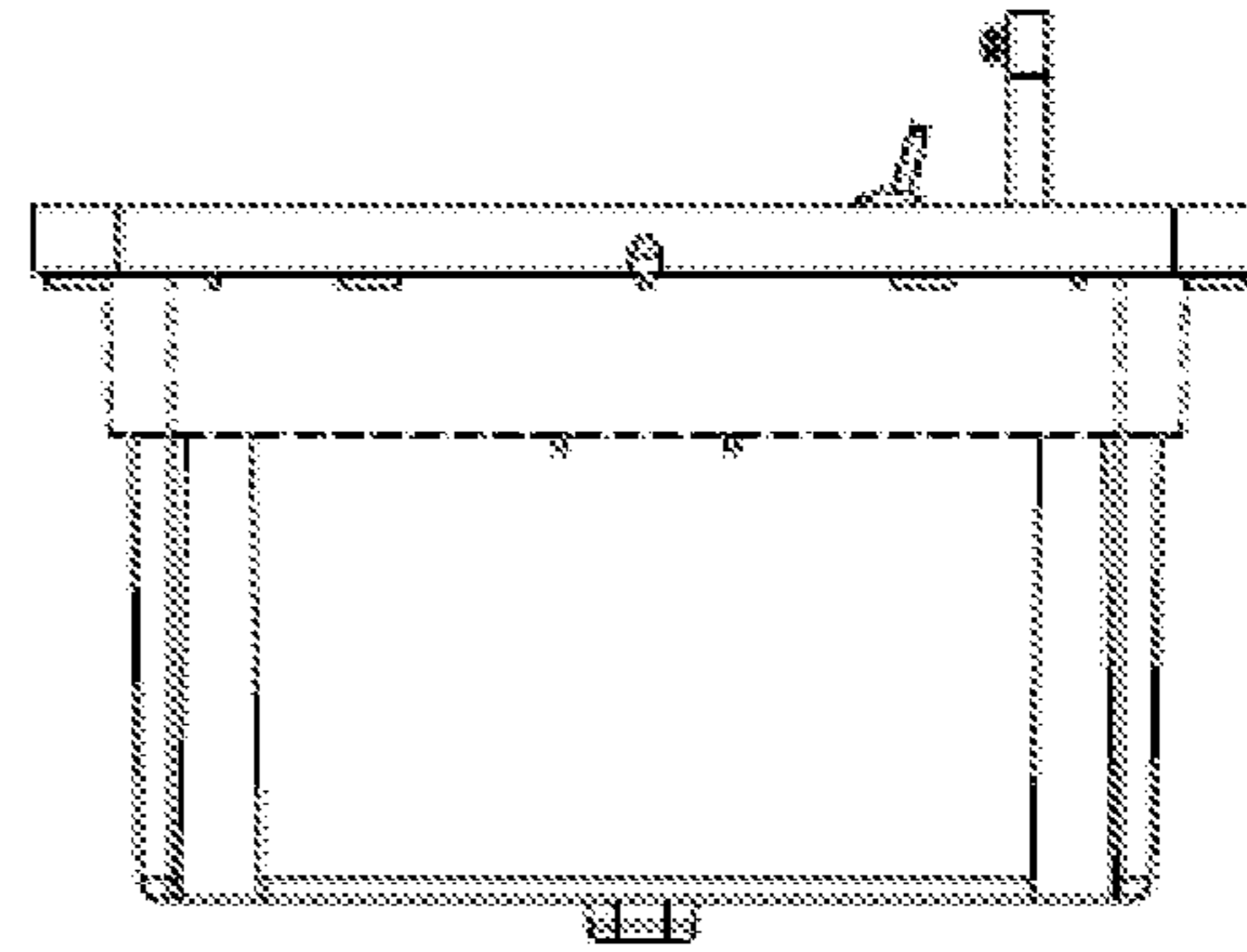


FIG. 6

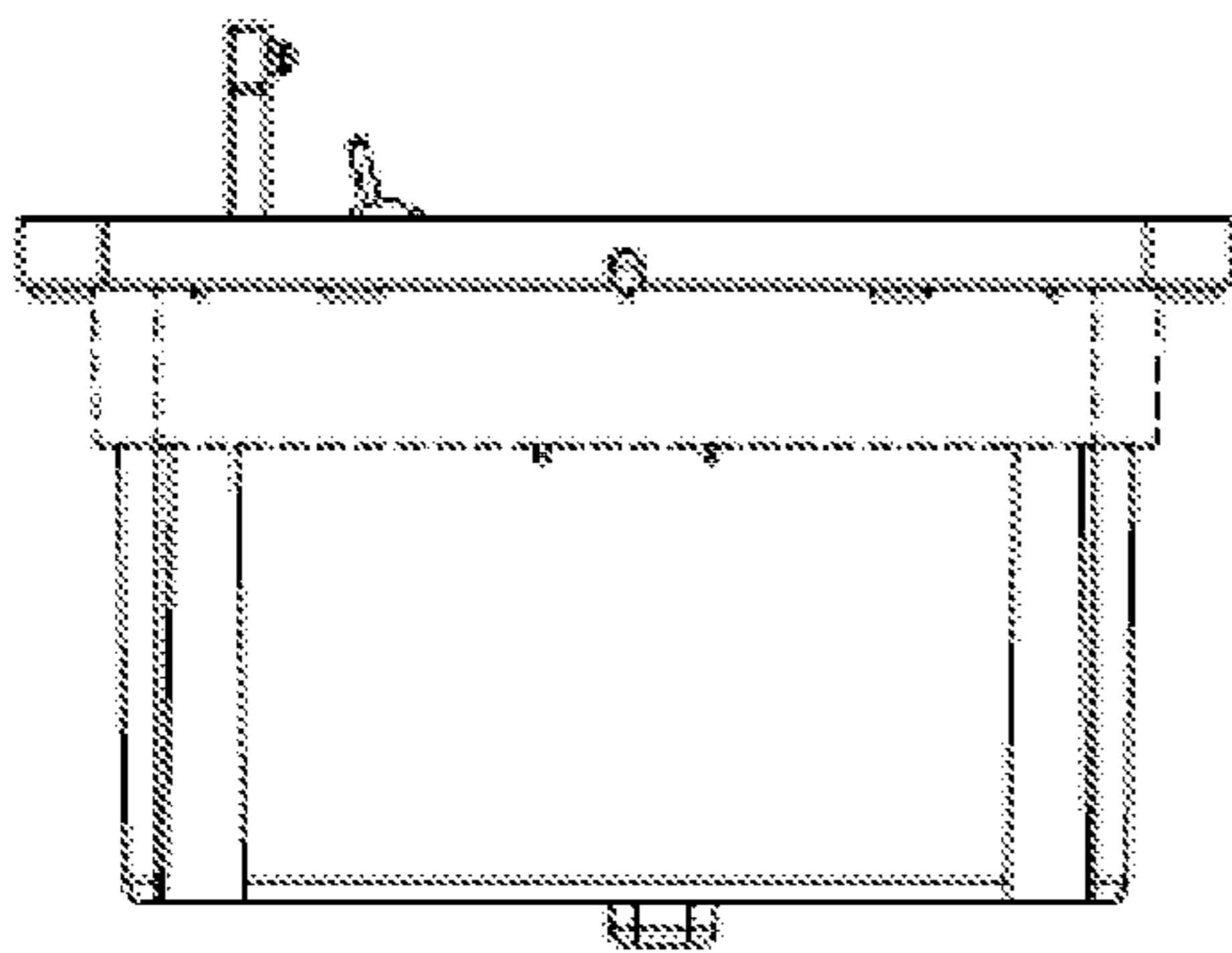


FIG. 7

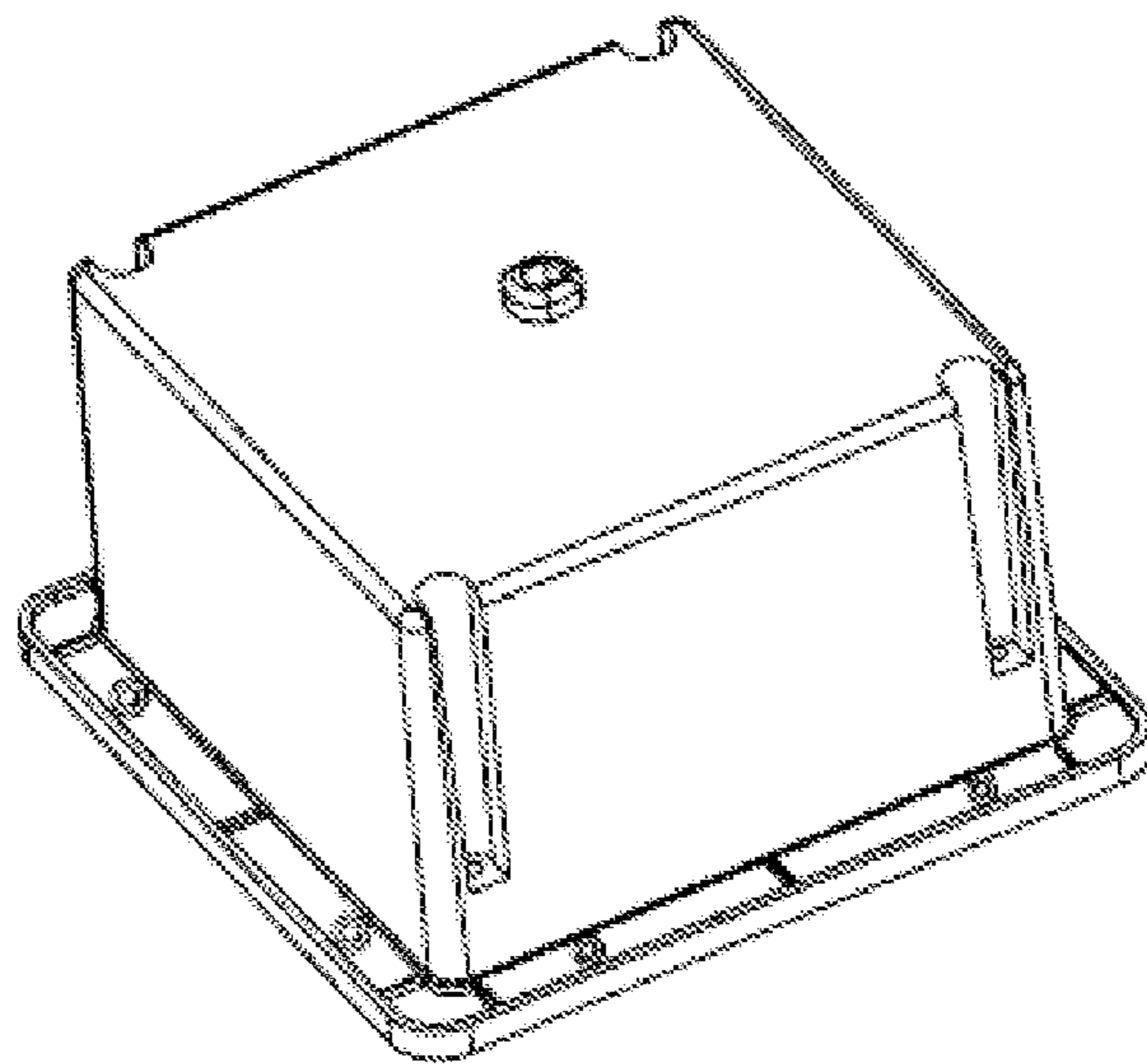


FIG. 8

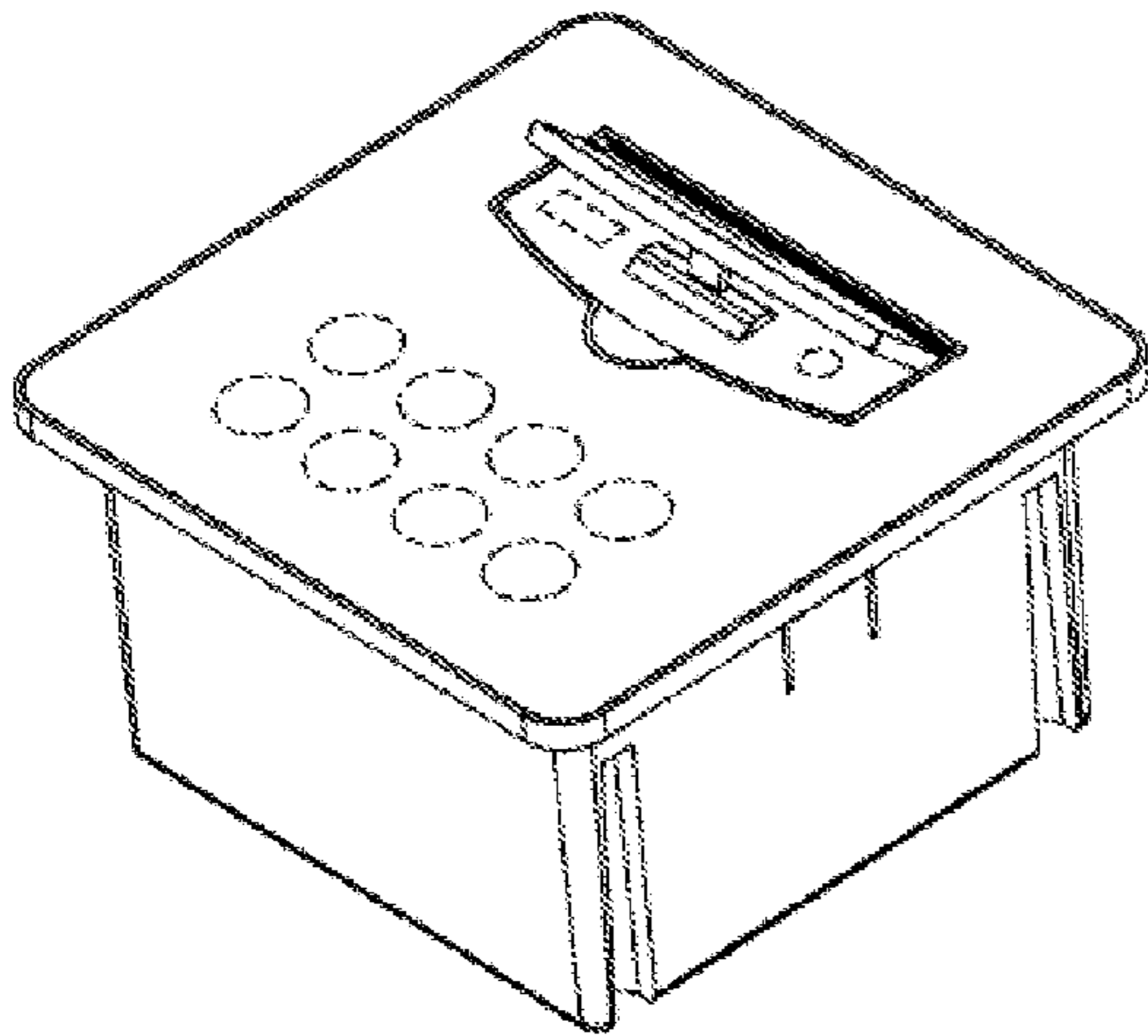


FIG. 9

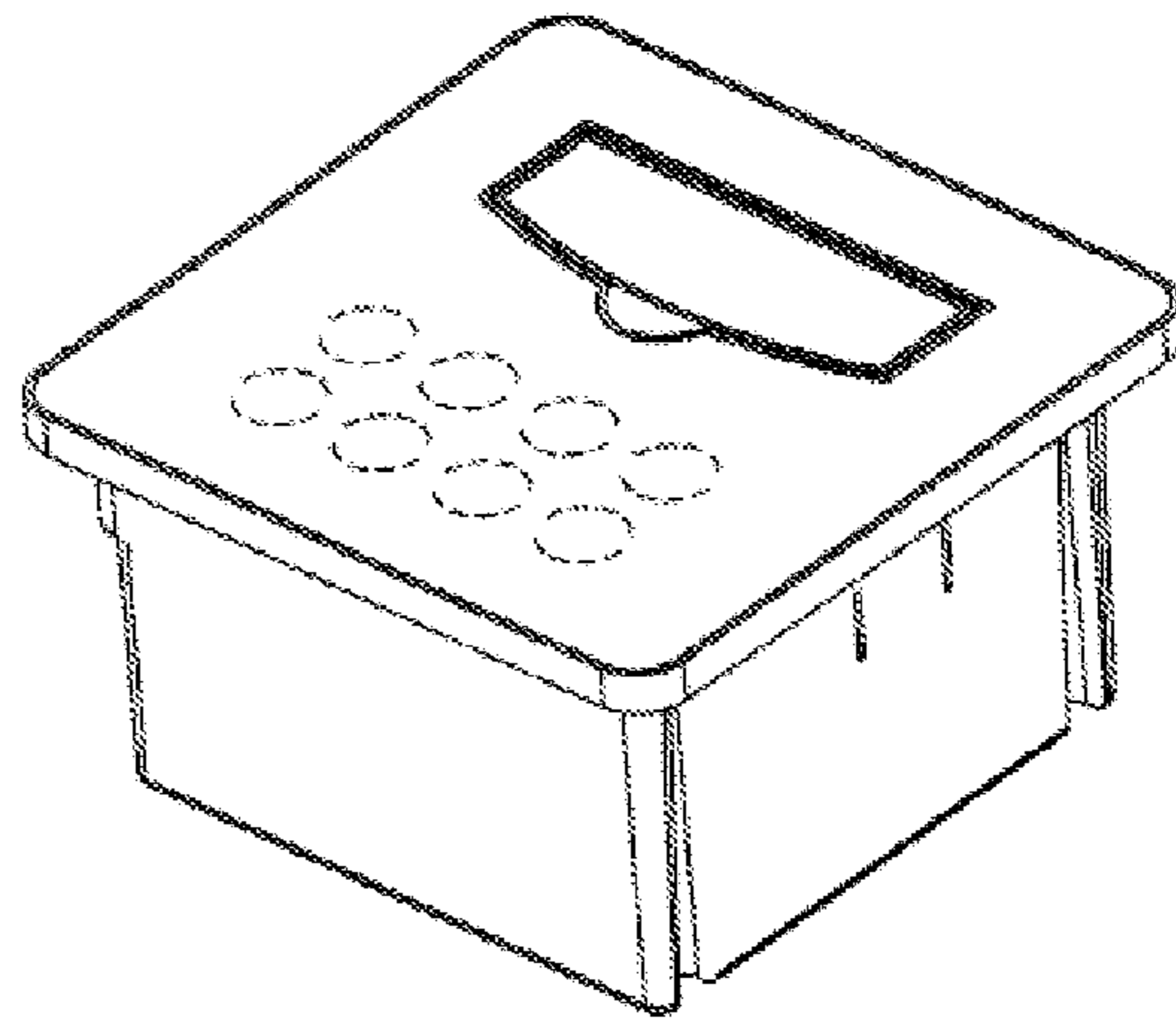


FIG. 10

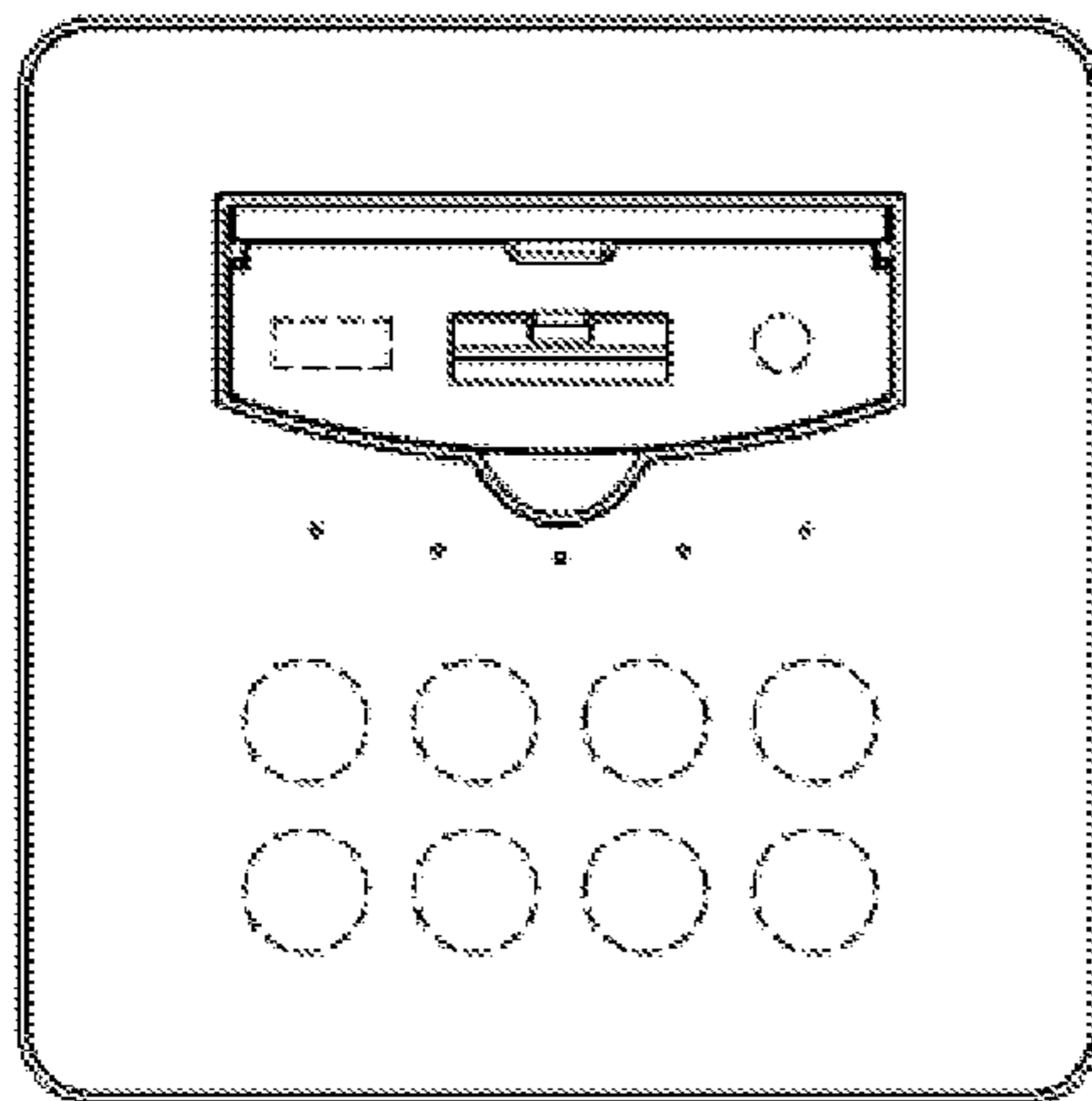


FIG. 11

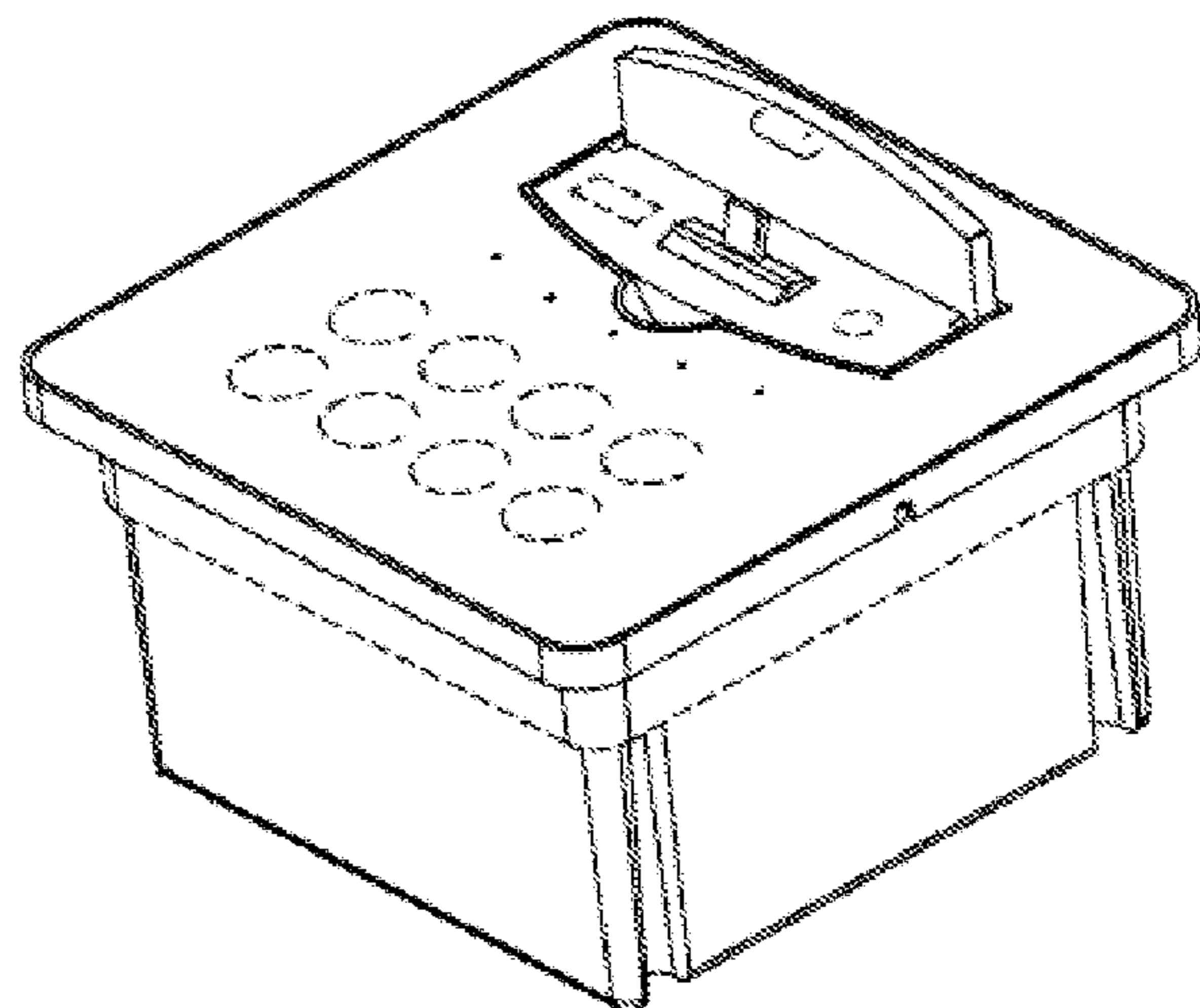


FIG. 12

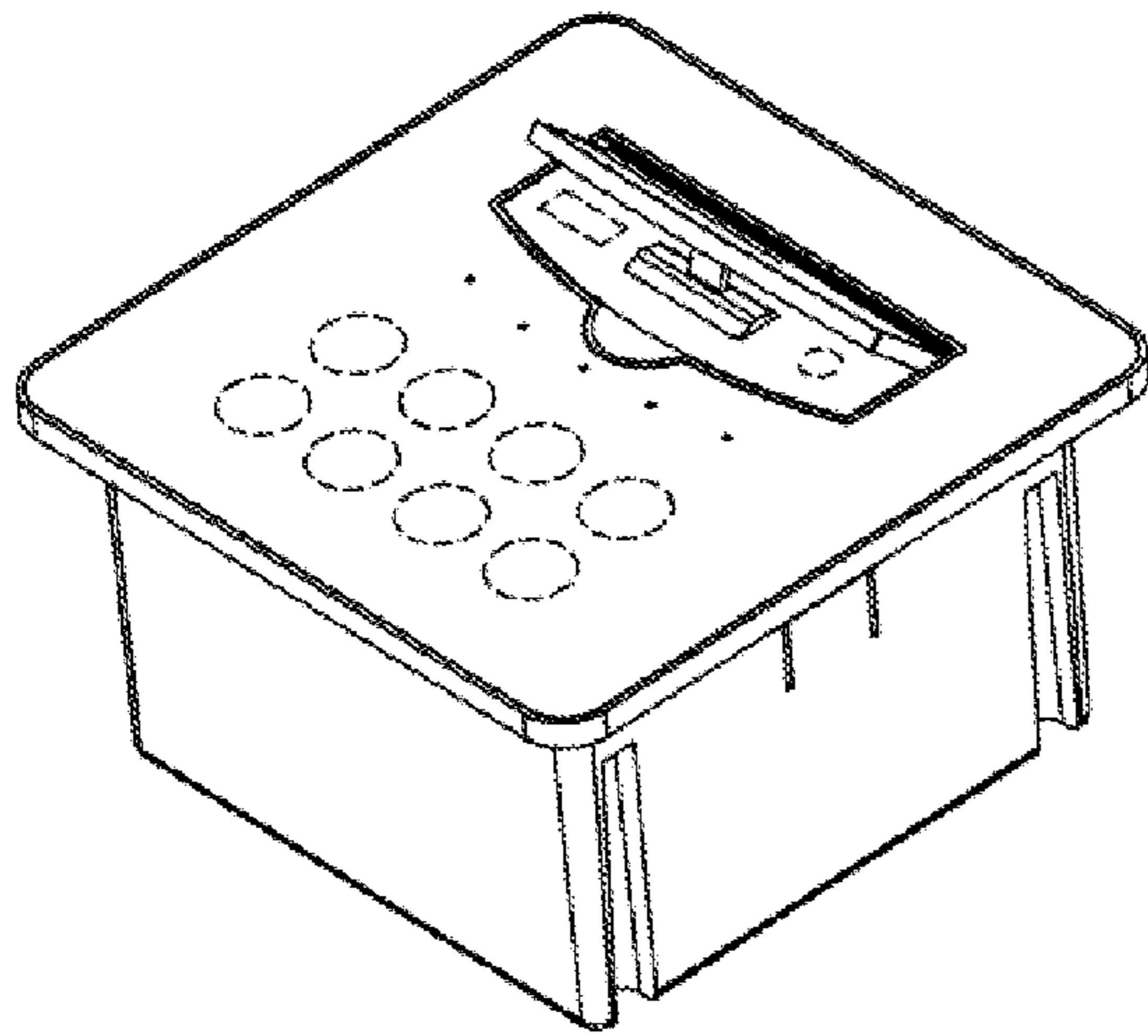


FIG. 13

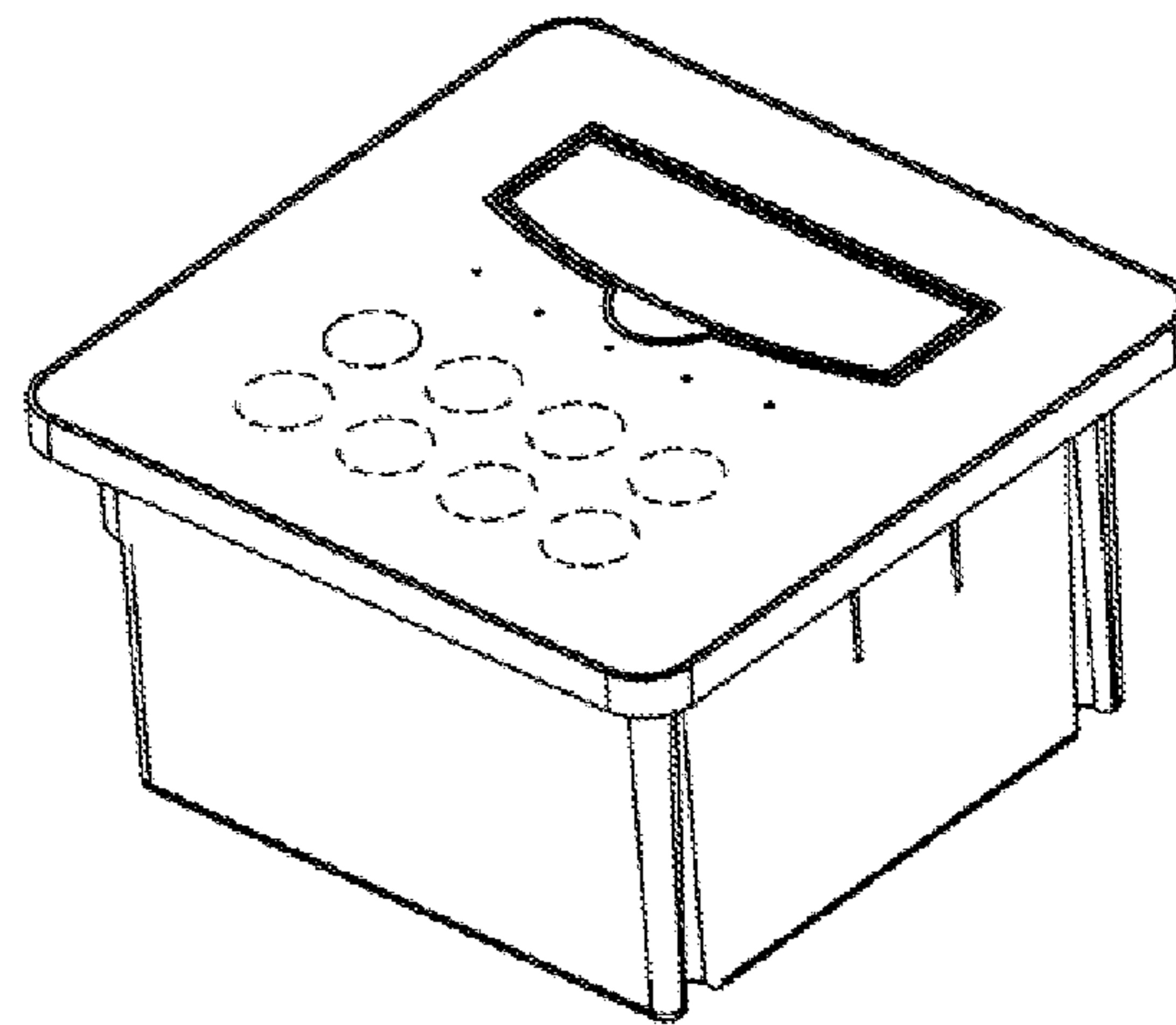


FIG. 14