



US00D740755S

(12) **United States Design Patent**  
**Chen et al.**

(10) **Patent No.:** **US D740,755 S**  
(45) **Date of Patent:** **\*\* Oct. 13, 2015**

(54) **ELECTRICAL CONNECTOR**

(56) **References Cited**

(71) Applicant: **ADVANCED-CONNECTEK INC.**,  
New Taipei (TW)  
(72) Inventors: **Ching-Tien Chen**, New Taipei (TW);  
**Shu-Lin Duan**, New Taipei (TW); **Wei**  
**Wan**, New Taipei (TW); **Ping-Chuan**  
**Chu**, New Taipei (TW); **Xiao-Juan Qi**,  
New Taipei (TW)

U.S. PATENT DOCUMENTS

D447,122	S	*	8/2001	Harasawa et al.	.....	D13/147
D473,192	S	*	4/2003	Ouchi et al.	.....	D13/147
D647,856	S	*	11/2011	Chiang	.....	D13/146
D670,654	S	*	11/2012	Kajiura et al.	.....	D13/147
D672,724	S	*	12/2012	Kajiura et al.	.....	D13/147
D691,959	S	*	10/2013	Kajiura et al.	.....	D13/147

\* cited by examiner

*Primary Examiner* — Daniel Bui

(73) Assignee: **ADVANCED-CONNECTEK INC.**,  
New Taipei (TW)

(57) **CLAIM**

The ornamental design for an electrical connector, as shown and described.

(\*\*) Term: **14 Years**

**DESCRIPTION**

(21) Appl. No.: **29/498,618**

FIG. 1 is a top perspective view of an electrical connector showing our new design;  
FIG. 2 is a front elevational view thereof;  
FIG. 3 is a rear elevational view thereof;  
FIG. 4 is a left side elevational view thereof;  
FIG. 5 is a right side elevational view thereof;  
FIG. 6 is a top plan view thereof;  
FIG. 7 is a bottom plan view thereof; and,  
FIG. 8 is a cross-sectional view along line 8.  
The broken lines in the drawings represent unclaimed environment only and form no part of the claimed design.

(22) Filed: **Aug. 5, 2014**

(30) **Foreign Application Priority Data**

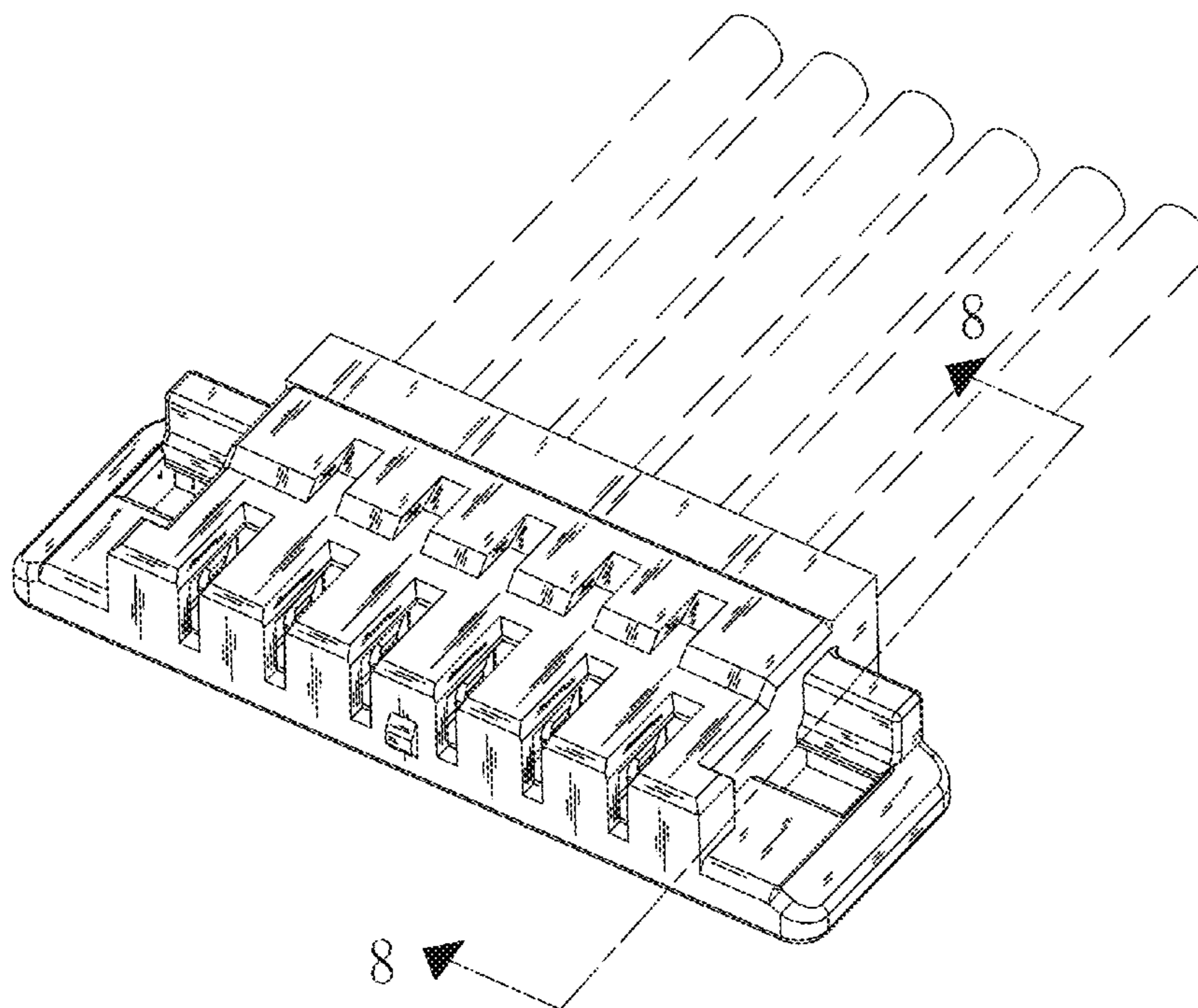
Feb. 7, 2014 (CN) ..... 2014 3 0025130

(51) **LOC (10) Cl.** ..... **13-03**

(52) **U.S. Cl.**  
USPC ..... **D13/147**

(58) **Field of Classification Search**  
USPC ..... D13/146, 147, 154, 184, 199  
See application file for complete search history.

**1 Claim, 8 Drawing Sheets**



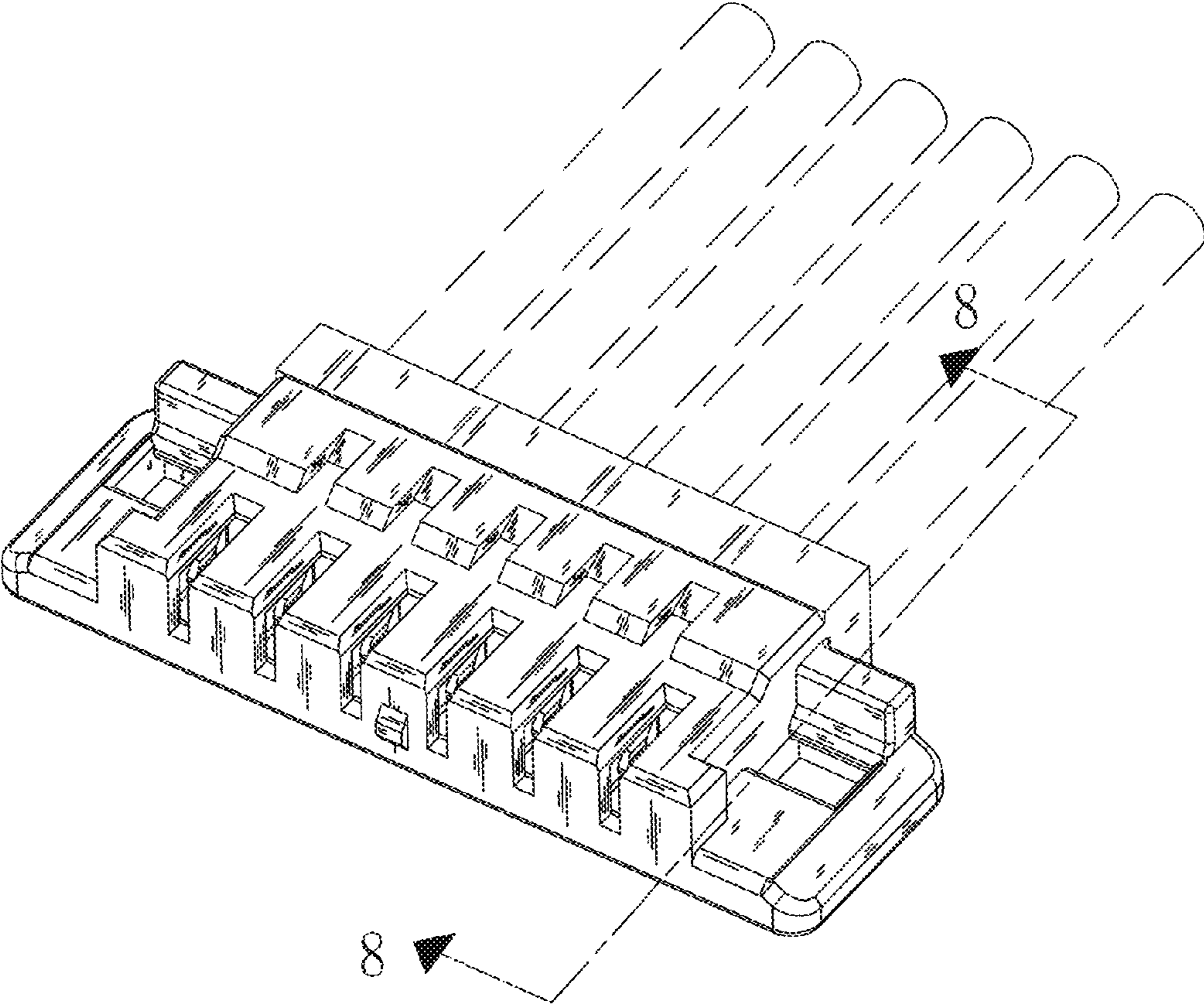


FIG.1

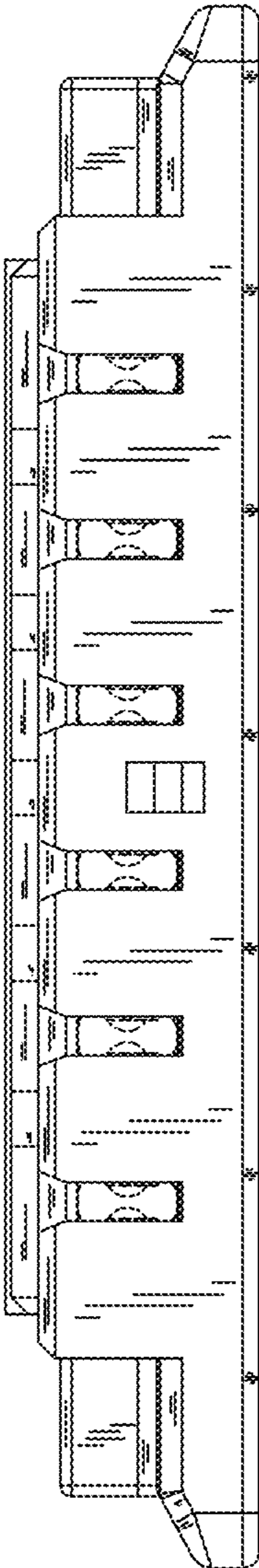


FIG.2

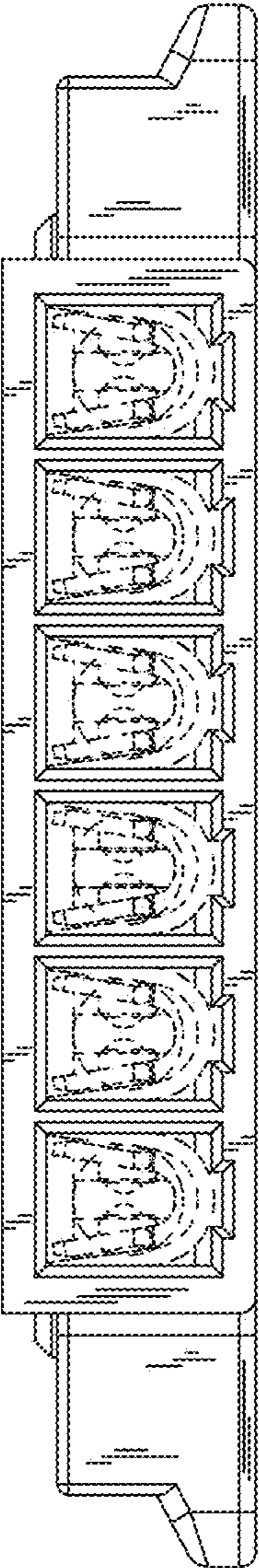


FIG.3

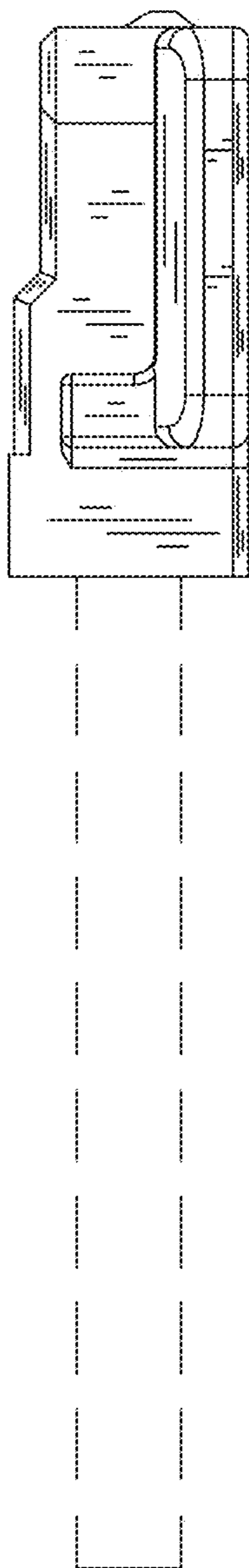


FIG.4

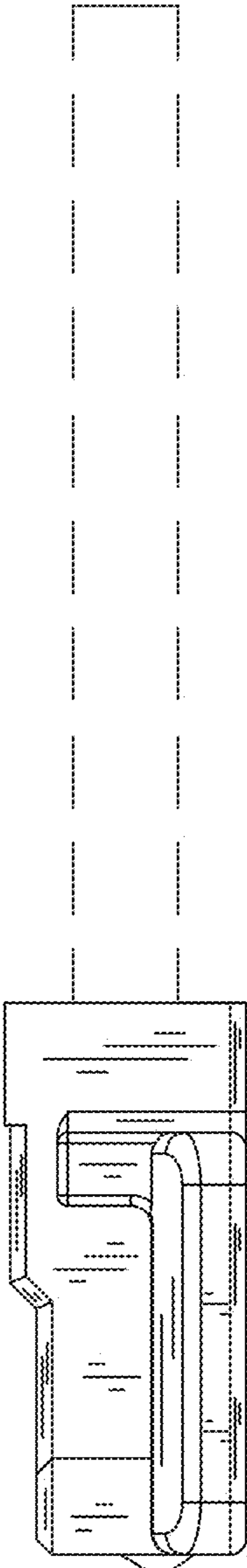


FIG.5

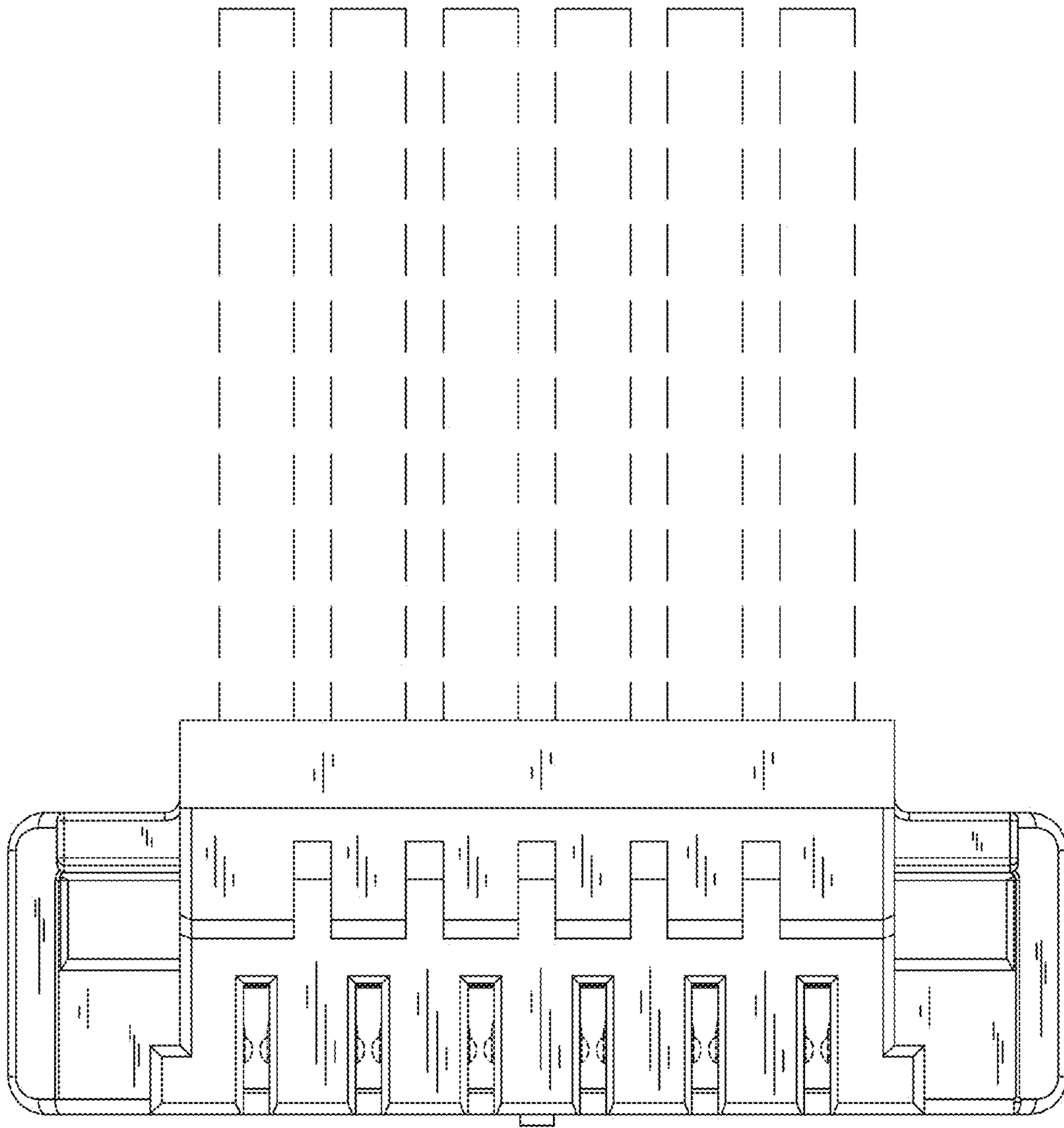


FIG.6

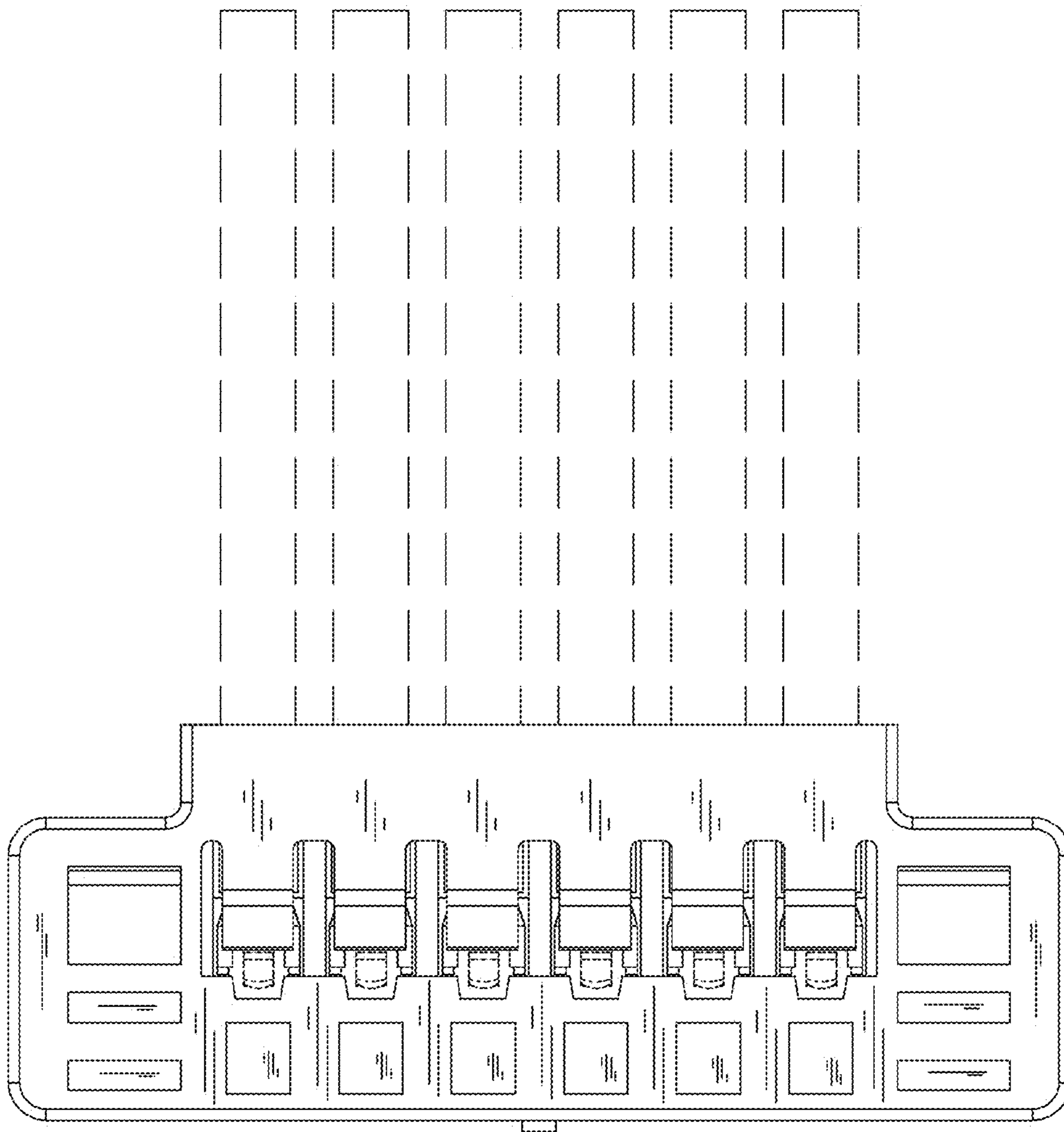


FIG.7



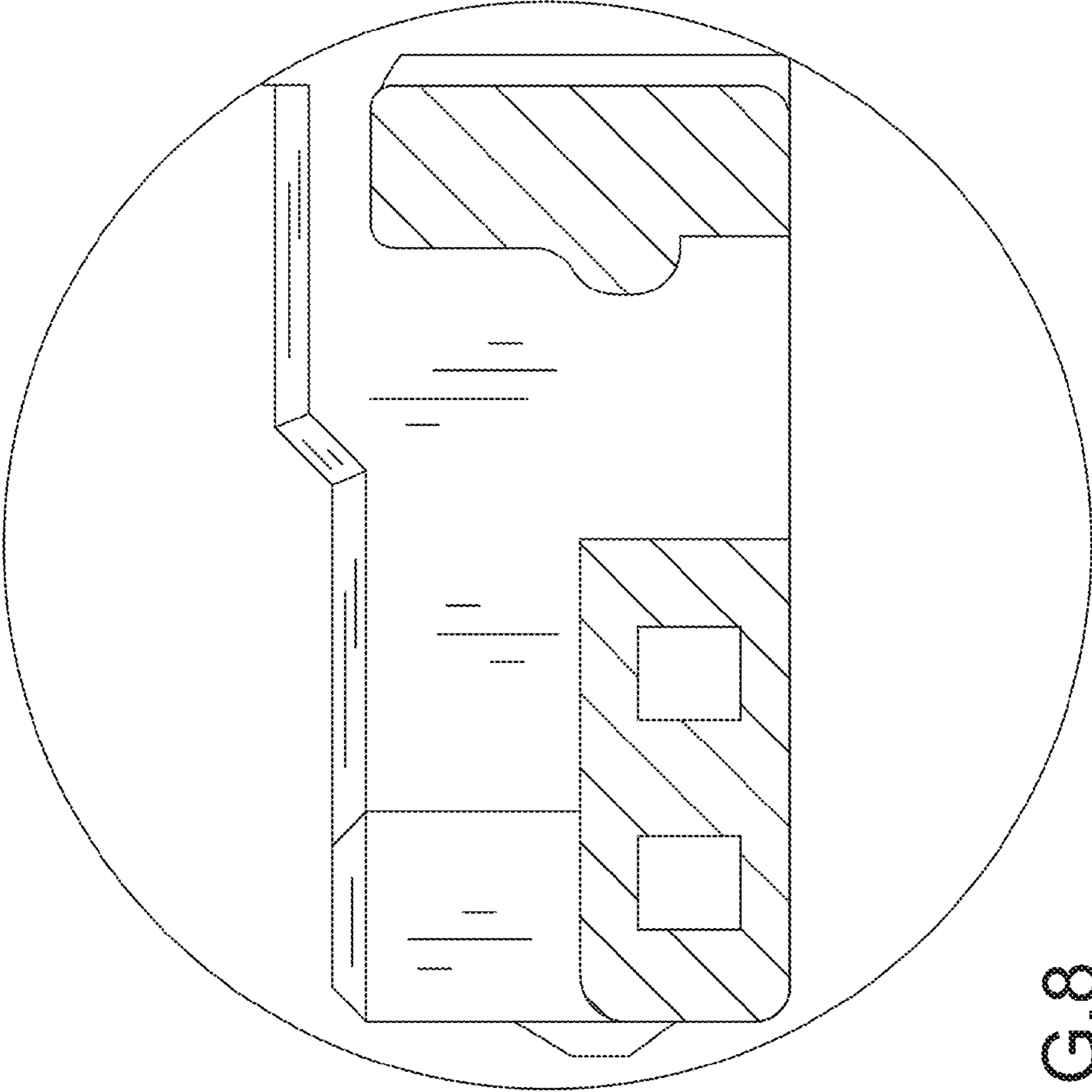


FIG. 8