



US00D740753S

(12) **United States Design Patent**
Vanbecelaere

(10) **Patent No.:** **US D740,753 S**
(45) **Date of Patent:** **** Oct. 13, 2015**

- (54) **BATTERY CONNECTOR COVER**
- (71) Applicant: **CASTLE CREATIONS, INC.**, Olathe, KS (US)
- (72) Inventor: **Jacob Christopher Vanbecelaere**, Olathe, KS (US)
- (73) Assignee: **CASTLE CREATIONS, INC.**, Olathe, KS (US)
- (**) Term: **14 Years**

D474,447 S *	5/2003	Kano	D13/133
D475,014 S *	5/2003	Kano	D13/133
D494,933 S *	8/2004	Lu	D13/133
D537,781 S *	3/2007	Tamura	D13/133
D552,034 S *	10/2007	Hobson et al.	D13/133
D575,736 S *	8/2008	Foreman et al.	D13/119
D585,371 S *	1/2009	Foreman et al.	D13/119
D585,372 S *	1/2009	Foreman et al.	D13/119
D589,444 S *	3/2009	Kok et al.	D13/133
D589,882 S *	4/2009	Kok et al.	D13/133
D594,414 S *	6/2009	Ogata et al.	D13/133
D652,798 S *	1/2012	Sekine et al.	D13/133
D698,313 S *	1/2014	Buetow et al.	D13/119

(Continued)

- (21) Appl. No.: **29/497,417**
- (22) Filed: **Jul. 24, 2014**
- (51) **LOC (10) Cl.** **13-03**
- (52) **U.S. Cl.**
USPC **D13/120**
- (58) **Field of Classification Search**
USPC D13/102–110, 118–119, 184, 199, 133,
D13/144, 154, 156; D14/251, 253, 432,
D14/434, 356, 155; 439/300, 620.01, 638,
439/668–669, 675, 825; 320/107–115
CPC Y02E 60/12; Y02E 60/10; Y02E 60/122;
Y02E 60/124; Y02E 60/50; Y02T 90/14;
Y02T 90/122; Y02T 90/128; Y02T 90/163;
H02J 7/025; H02J 7/0042; H02J 7/0044;
H02J 7/0045; H02J 7/0003; H01F 38/14;
H01R 13/6675; H01R 13/516; H01R 13/518;
H01R 13/52; H01R 13/46; H01R 13/50;
H01R 13/506; H01R 13/5213; H01M 2/1022;
H01M 2/1055; H01M 10/44; H01M 10/46;
H01M 10/425; B60L 11/182; H02G 15/18;
H02G 15/1826
See application file for complete search history.

Primary Examiner — Rosemary K Tarcza
Assistant Examiner — Sanjeev Paul
 (74) *Attorney, Agent, or Firm* — Shook, Hardy & Bacon L.L.P.

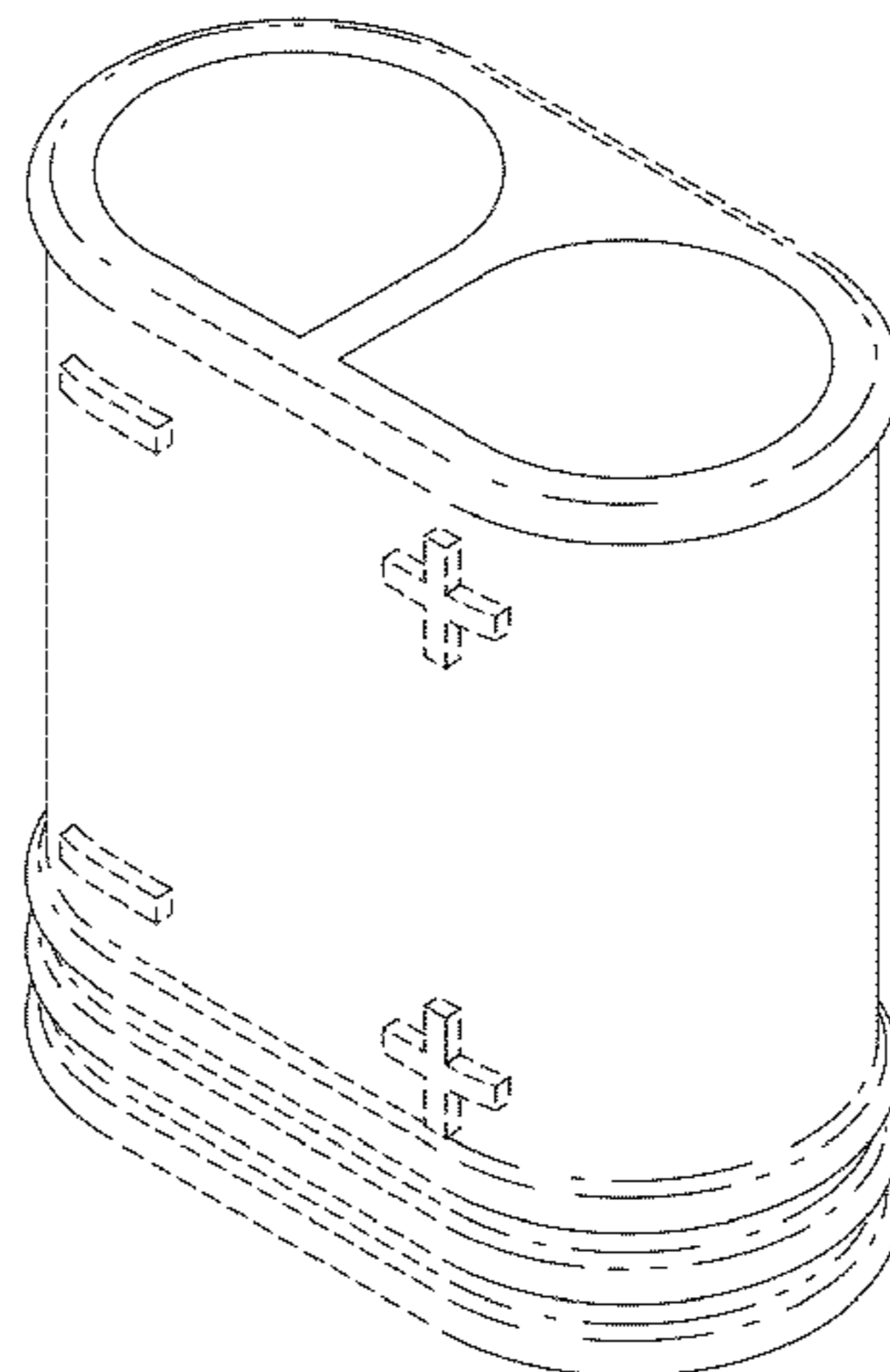
(57) **CLAIM**
 The ornamental design for a battery connector cover, substantially as shown and described.

DESCRIPTION

FIG. 1 is a perspective view of a battery connector cover in accordance with one embodiment of the present invention; FIG. 2 is a side view thereof; FIG. 3 is a front elevation view thereof; FIG. 4 is a side view thereof; FIG. 5 is a back elevation view thereof; FIG. 6 is a bottom view thereof; and, FIG. 7 is a top view thereof.
 The evenly spaced broken lines shown in the drawings are directed to environment, are for informational purposes only, and form no part of the claimed design.
 The surface shading lines on the claimed portion are provided only to indicate the character and/or any contour or curvature of the surfaces. They do not indicate color, texture, markings that actually exist thereon, indicia, graphic representations, surface treatment, or any other ornamentation applied to the article.

1 Claim, 6 Drawing Sheets

- (56) **References Cited**
U.S. PATENT DOCUMENTS
D319,813 S * 9/1991 Kozono D13/133
5,127,848 A * 7/1992 Taguchi 439/489
D388,766 S * 1/1998 Kuprewicz et al. D13/133



US D740,753 S

Page 2

(56)

References Cited

U.S. PATENT DOCUMENTS

	2014/0170886 A1*	6/2014	Kikuchi et al.	439/345	
	2014/0199876 A1*	7/2014	Kato et al.	439/352	
	2015/0064950 A1*	3/2015	Wu et al.	439/259	
D726,114 S *	4/2015	Nook et al.	D13/133		
2014/0154532 A1*	6/2014	Chellew	429/7		* cited by examiner

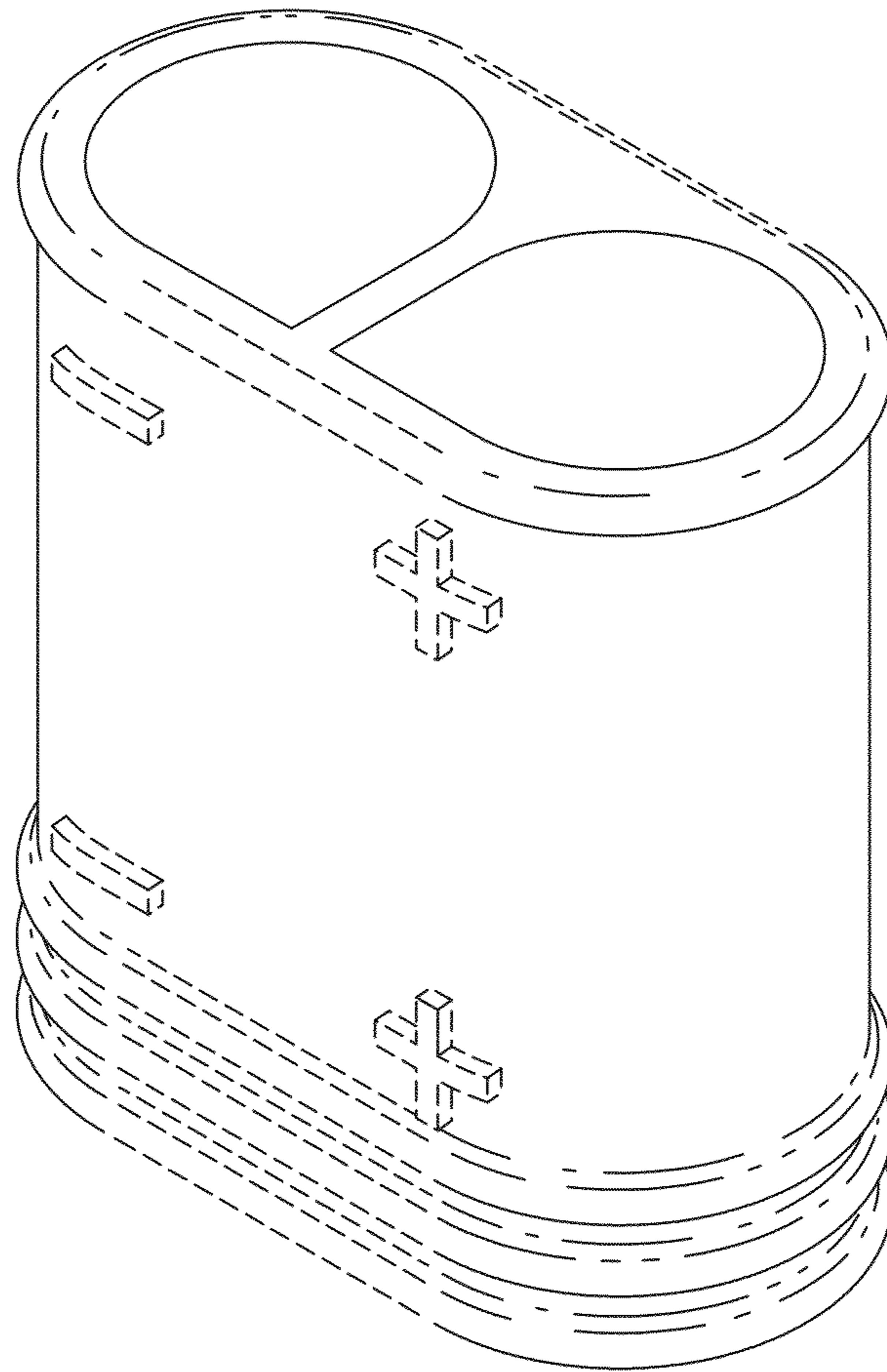


FIG. 1.

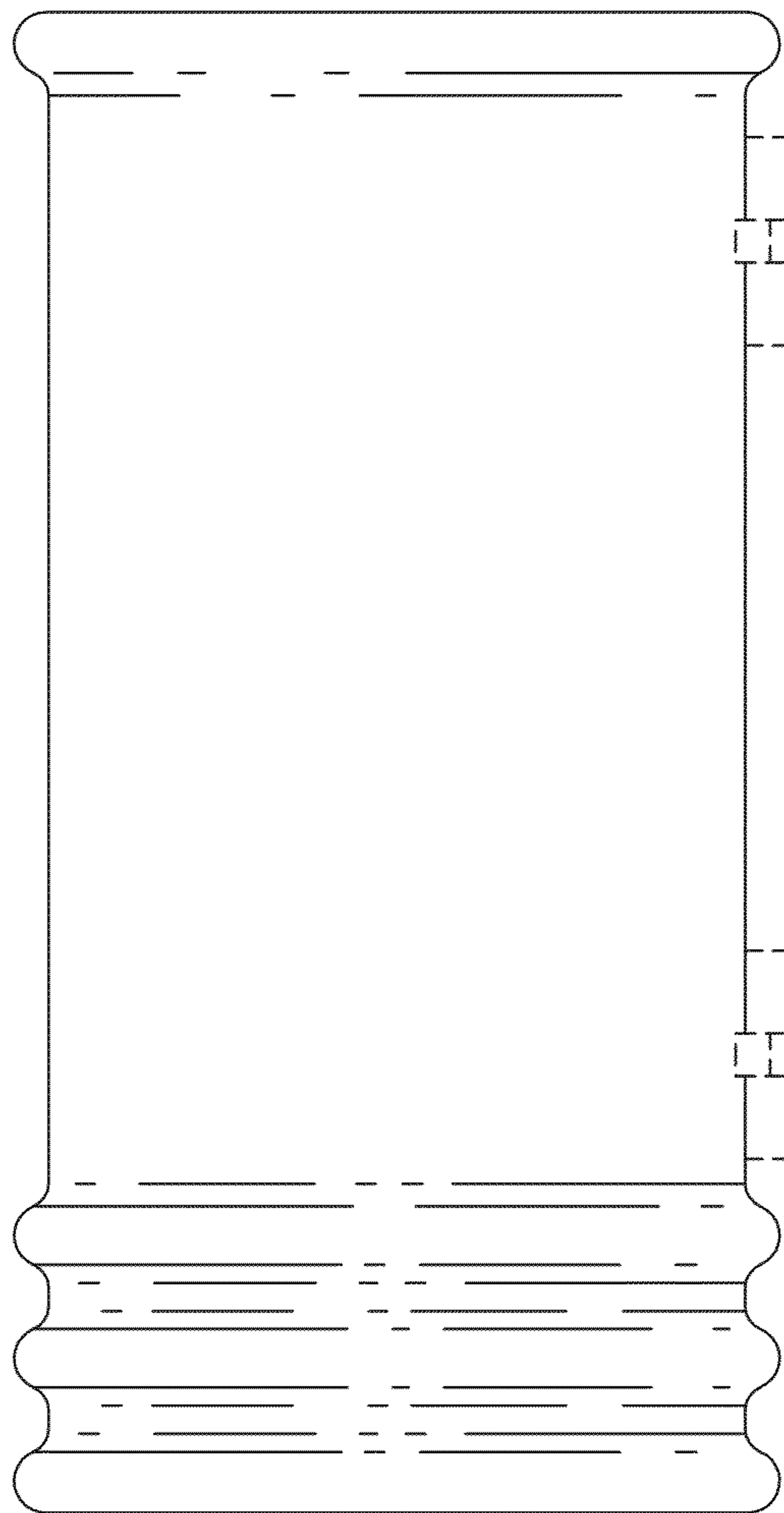


FIG. 2.

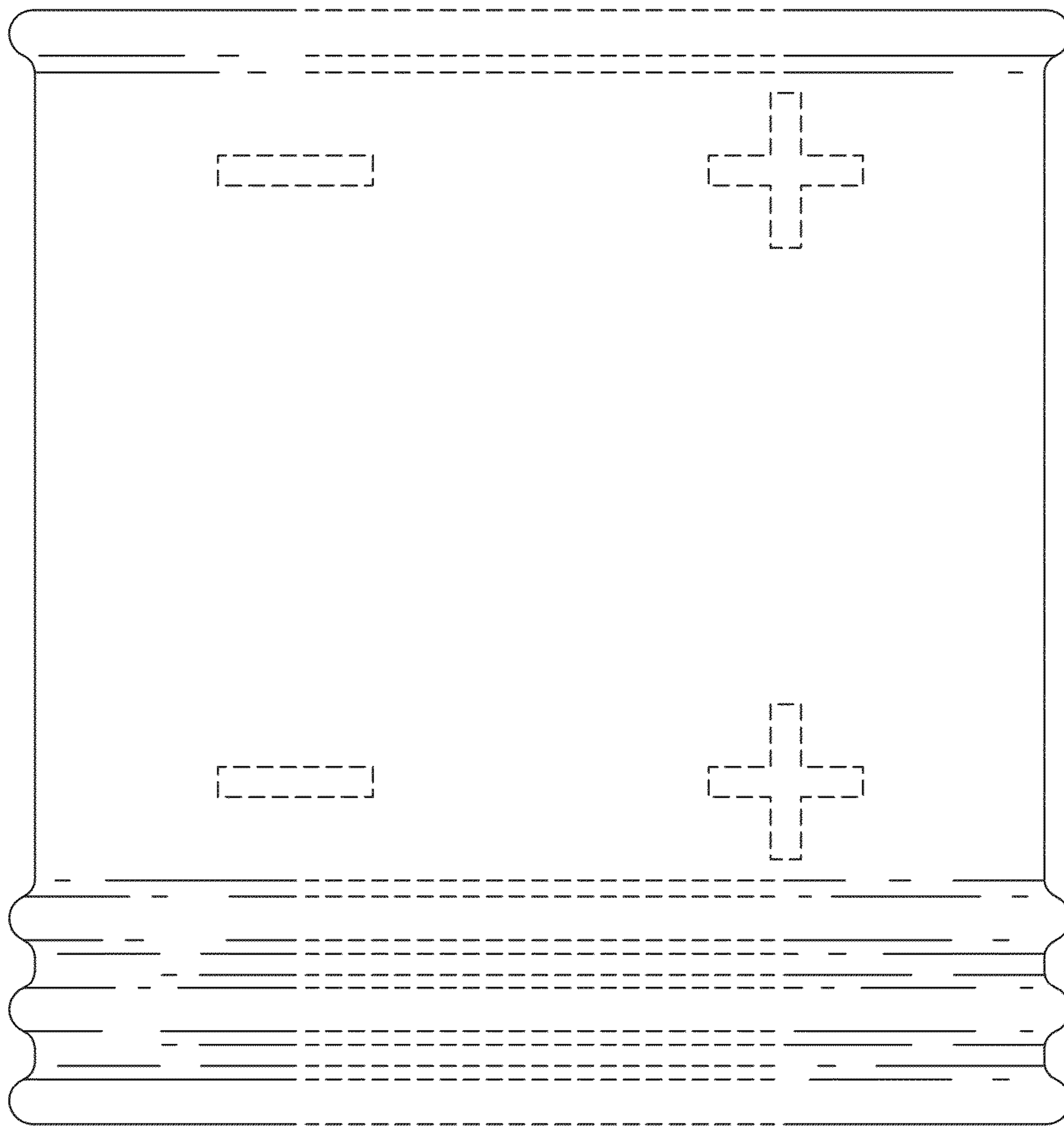


FIG. 3.

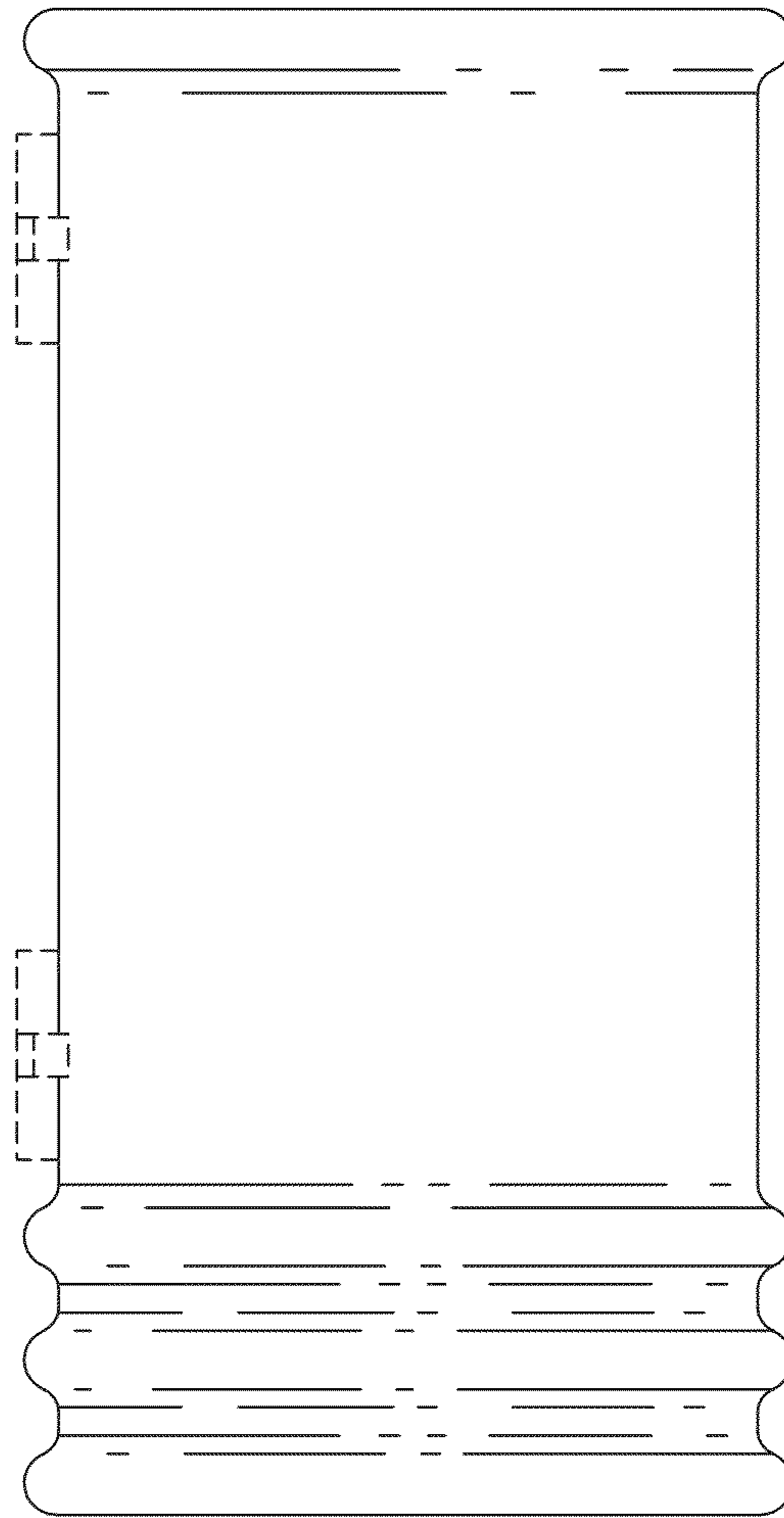


FIG. 4.

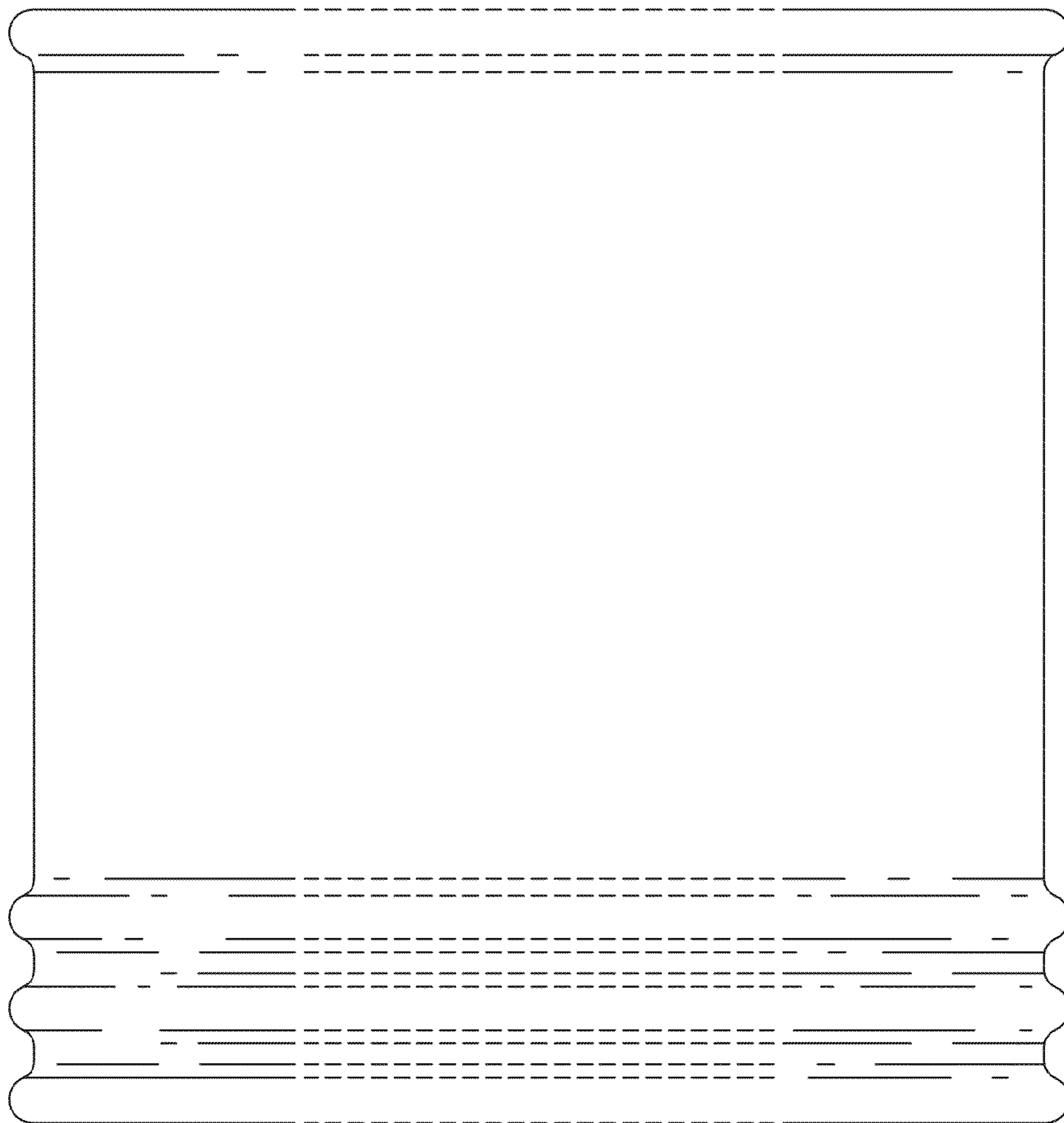


FIG. 5.

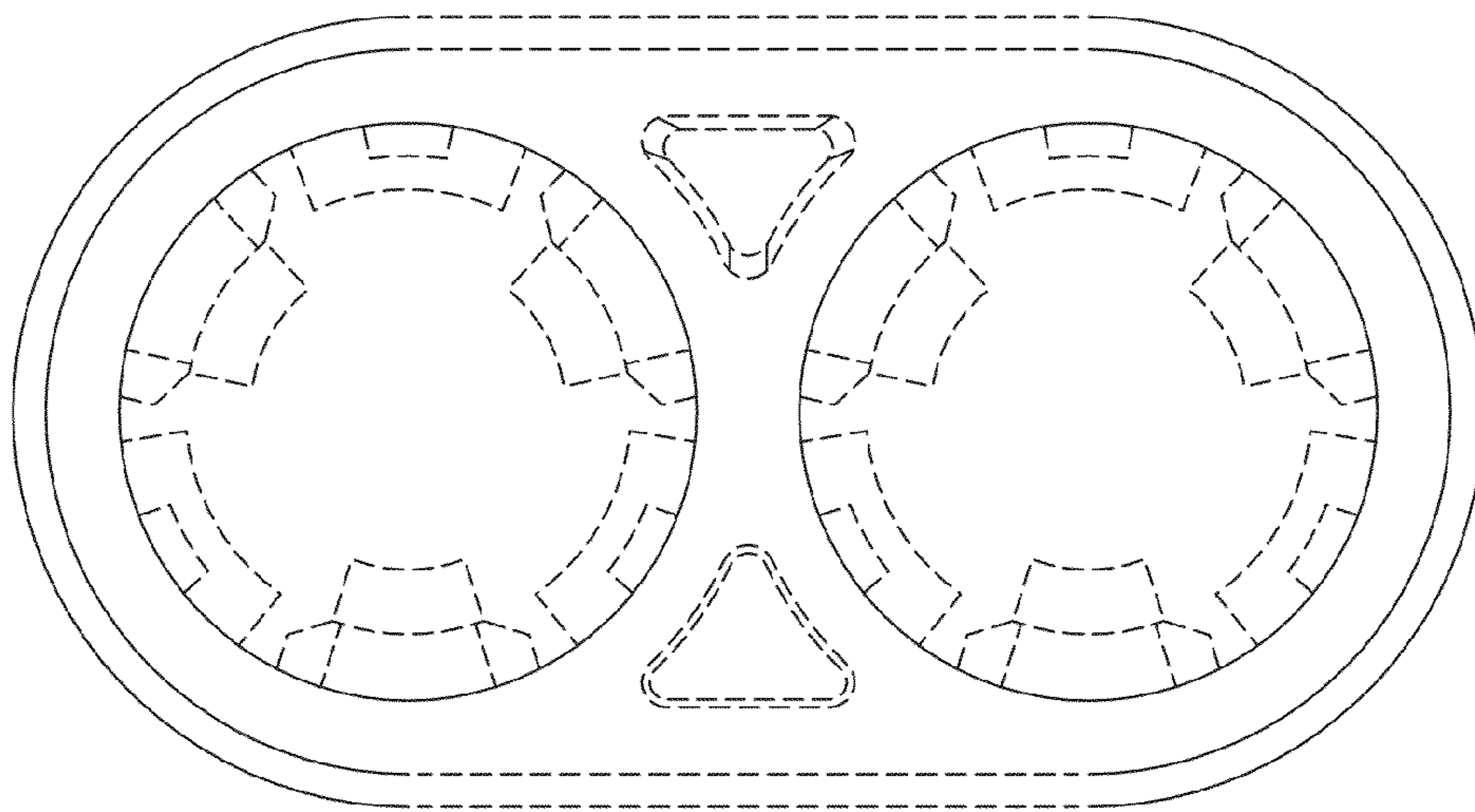


FIG. 6.

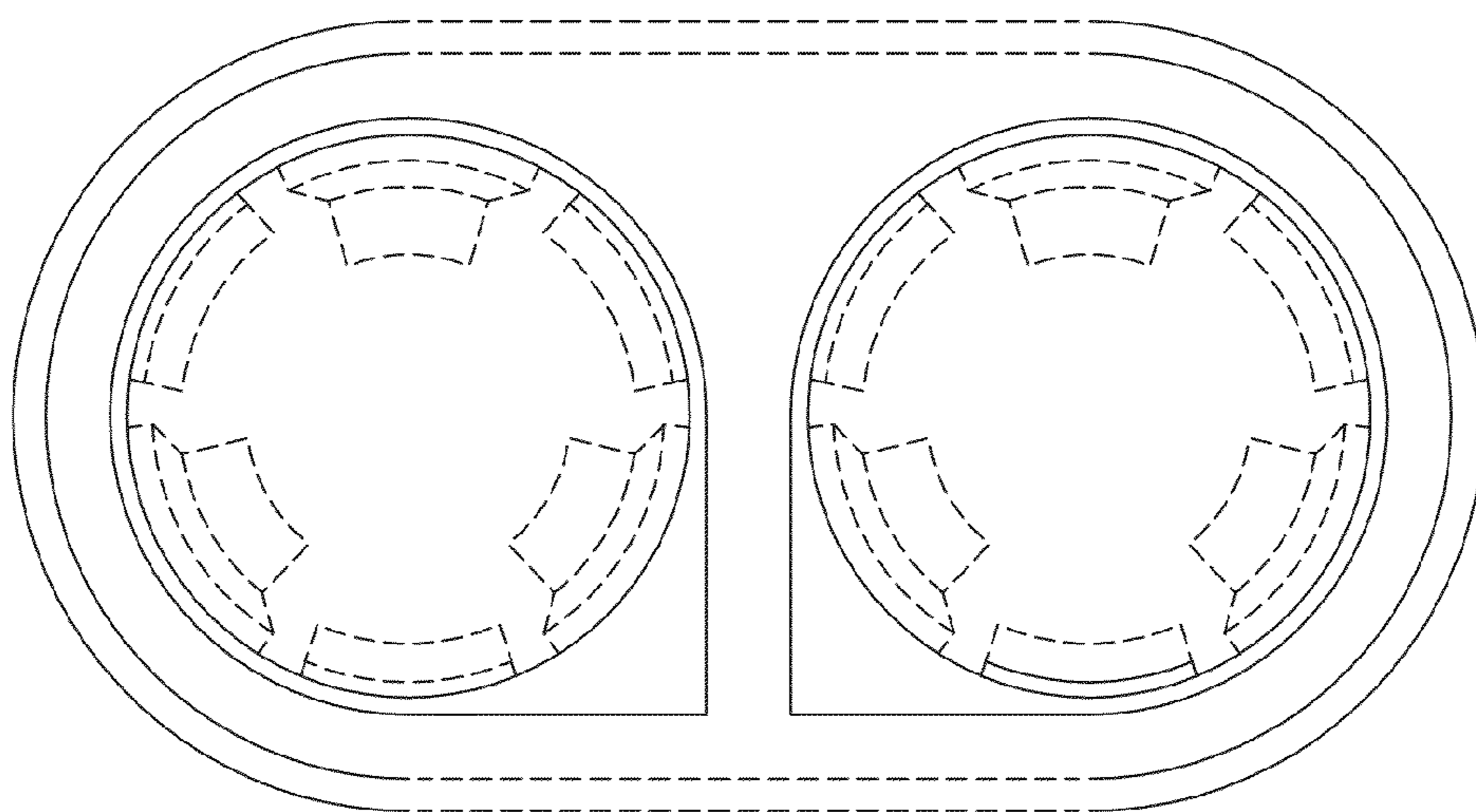


FIG. 7.