



US00D740750S

(12) **United States Design Patent**
Mayden et al.

(10) **Patent No.:** **US D740,750 S**
(45) **Date of Patent:** **** Oct. 13, 2015**

(54) **CHARGER BASE**

(71) Applicant: **Mark One Lifestyle, Inc.**, San Francisco, CA (US)

(72) Inventors: **Jason Mayden**, Palo Alto, CA (US); **Eric Shyr**, Fort Lee, NJ (US); **Brit Leek**, Santa Clara, CA (US); **Greg Caneer**, Oakland, CA (US); **Matt Simas**, Hayward, CA (US)

(73) Assignee: **MARK ONE LIFESTYLE, INC.**, San Francisco, CA (US)

(**) Term: **14 Years**

(21) Appl. No.: **29/493,572**

(22) Filed: **Jun. 11, 2014**

(51) **LOC (10) Cl.** **13-02**

(52) **U.S. Cl.**
USPC **D13/108**

(58) **Field of Classification Search**

USPC D13/107-110, 118-119, 182, 199;
D14/251, 253, 432, 434; 320/107-115
CPC Y02E 60/12; Y02T 90/14; Y02T 90/122;
Y02T 90/128; Y02T 90/163; H02J 7/025;
H02J 7/0042; H02J 7/0044; H02J 7/0045;
H02J 7/0003; H01F 38/14; H01R 13/6675;
H01M 2/1022; H01M 2/1055; H01M 10/44;
H01M 10/46; H01M 10/425; B60L 11/182
See application file for complete search history.

(56) **References Cited**

U.S. PATENT DOCUMENTS

D221,081 S * 7/1971 Kahn D13/110
D300,678 S * 4/1989 Barrault D32/73
D496,048 S * 9/2004 Chen D14/432
D503,717 S * 4/2005 Kawamura D14/432

D526,973 S * 8/2006 Gates et al. D13/184
D527,704 S * 9/2006 Rodarte D13/108
D531,180 S * 10/2006 Goto D14/432
D537,409 S * 2/2007 Suzuki D13/108
D546,280 S * 7/2007 Marchetto et al. D13/107
D574,322 S * 8/2008 Fjellman D13/108
D585,898 S * 2/2009 Skurdal D14/434
D602,858 S * 10/2009 Ellis et al. D13/108
D609,636 S * 2/2010 Jensen D13/108
D618,614 S * 6/2010 Symons D13/108
D625,262 S * 10/2010 Lee et al. D13/118
D627,718 S * 11/2010 Houghton D13/108

(Continued)

FOREIGN PATENT DOCUMENTS

JP 1485369 12/2013

Primary Examiner — Rosemary K Tarcza

(74) *Attorney, Agent, or Firm* — Goodwin Procter LLP

(57) **CLAIM**

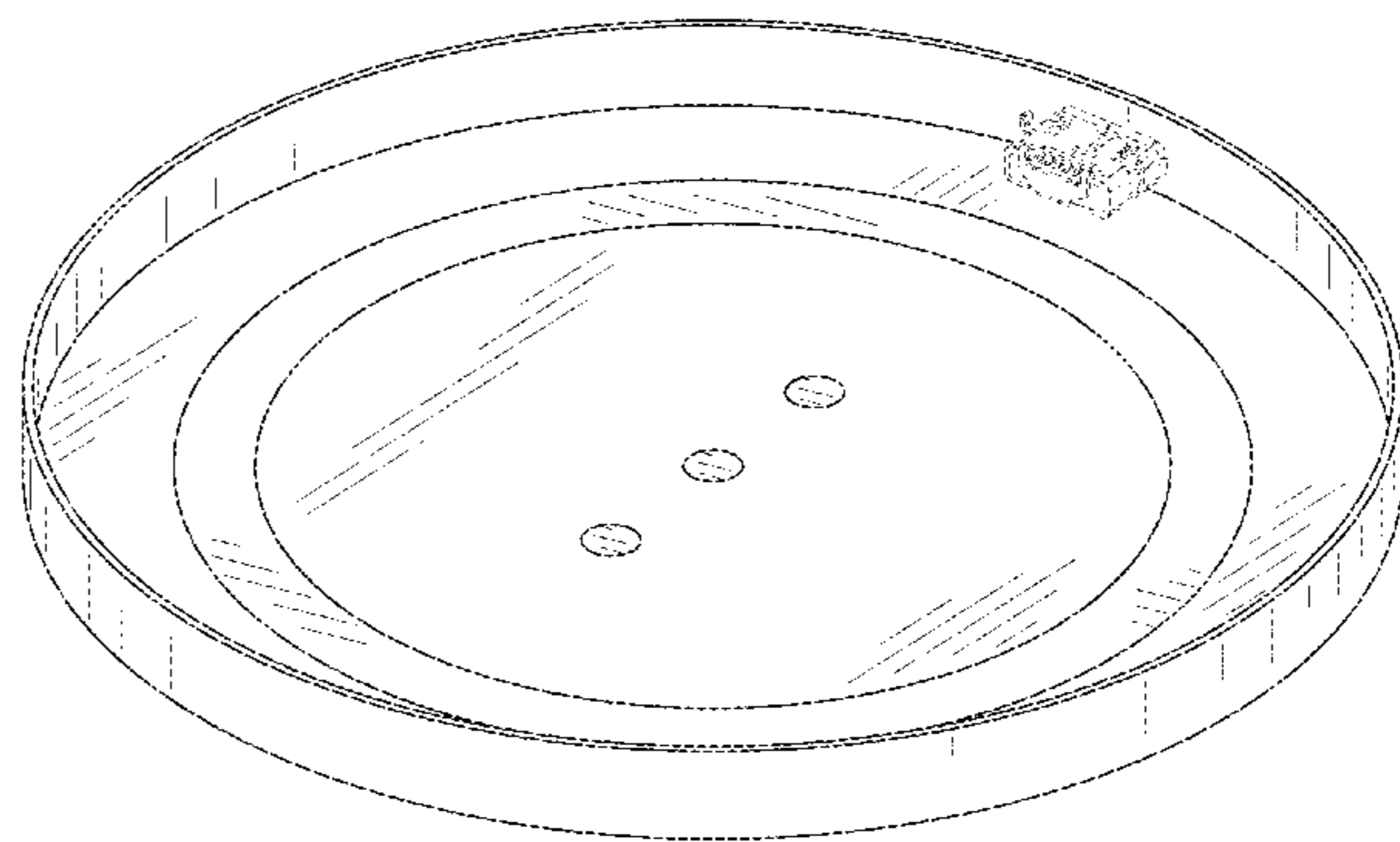
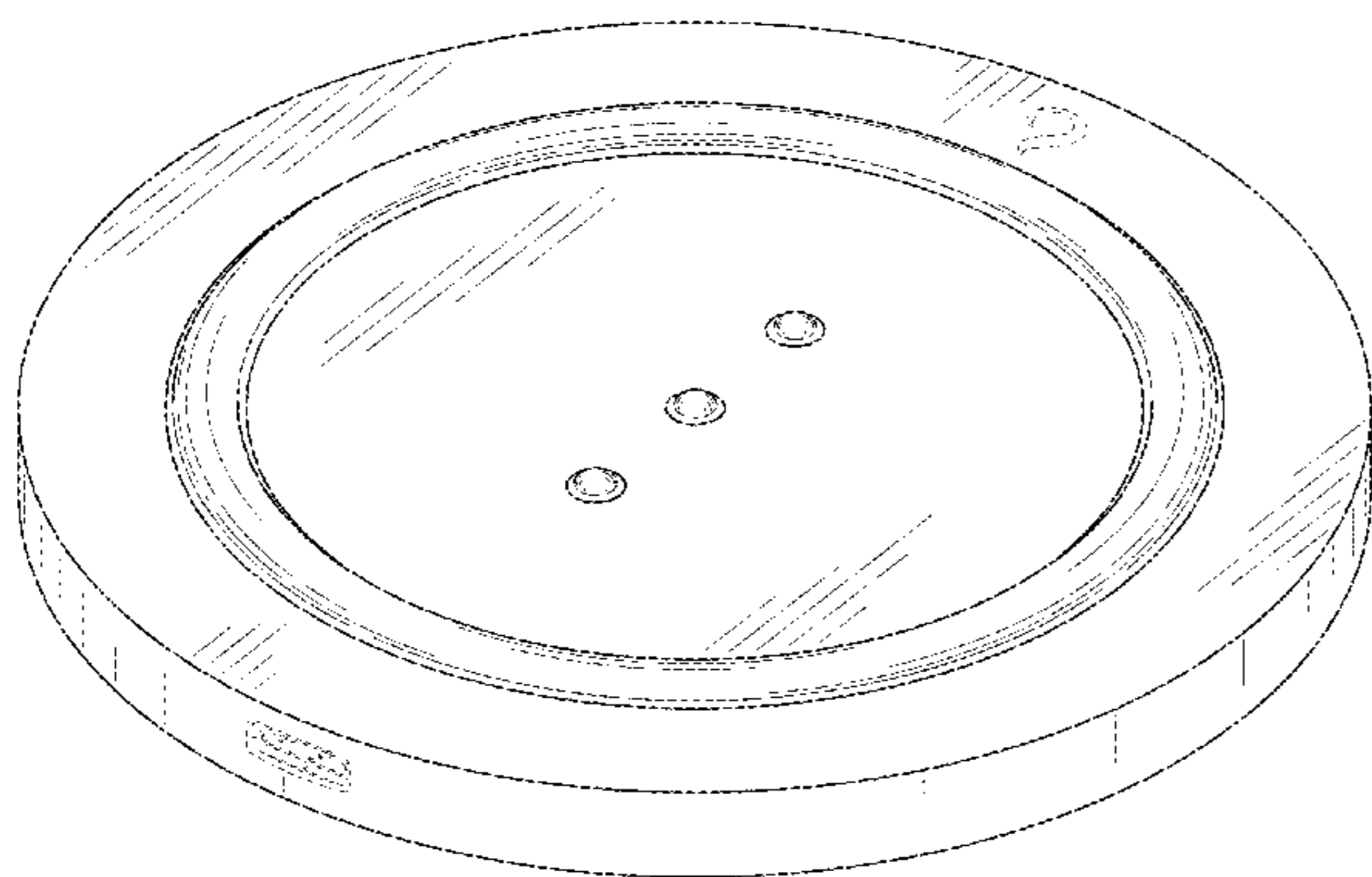
The ornamental design for a charger base, as shown and described.

DESCRIPTION

FIG. 1 is a top perspective view of a charger base;
FIG. 2 is a bottom perspective view of the charger base;
FIG. 3 is a front view of the charger base;
FIG. 4 is a rear view of the charger base;
FIG. 5 is a right side view of the charger base;
FIG. 6 is a left side view of the charger base;
FIG. 7 is a top view of the charger base;
FIG. 8 is a bottom view of the charger base; and,
FIG. 9 is a cross-section of the charger base taken along line 9-9 of FIG. 7.

The broken lines shown in the drawings of a charger base are for illustrative purposes only and form no part of the claimed design.

1 Claim, 6 Drawing Sheets



(56)

References Cited

U.S. PATENT DOCUMENTS

D654,431 S *	2/2012	Stephanchick et al.	D13/108	D718,233 S *	11/2014	Aumiller et al.	D13/108
D654,866 S	2/2012	Rautiainen		D718,234 S *	11/2014	Rautiainen	D13/108
D659,093 S	5/2012	Schmid et al.		D718,236 S *	11/2014	Murray	D13/108
D694,182 S *	11/2013	Lee et al.	D13/108	D718,712 S *	12/2014	Aumiller et al.	D13/108
D704,634 S *	5/2014	Eidelman et al.	D13/108	D720,289 S *	12/2014	Chiang et al.	D13/108
D706,212 S *	6/2014	Zwierstra et al.	D13/107	D727,260 S *	4/2015	Aumiller et al.	D13/108
D717,244 S *	11/2014	Reishus et al.	D13/108	2009/0102419 A1 *	4/2009	Gwon et al.	320/108
				2012/0104999 A1 *	5/2012	Teggatz et al.	320/108
				2014/0117926 A1 *	5/2014	Hwu et al.	320/108

* cited by examiner

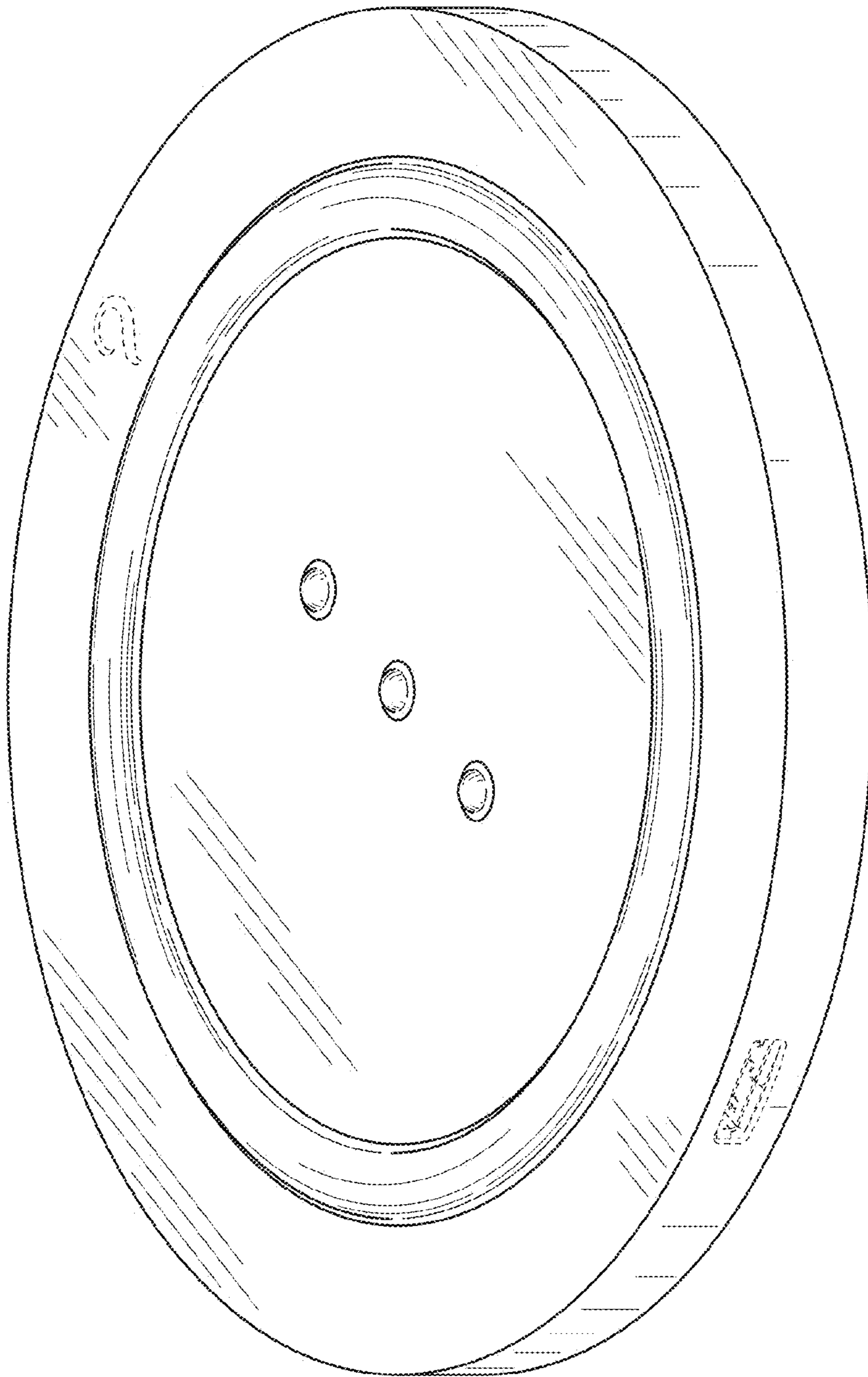


FIG. 1

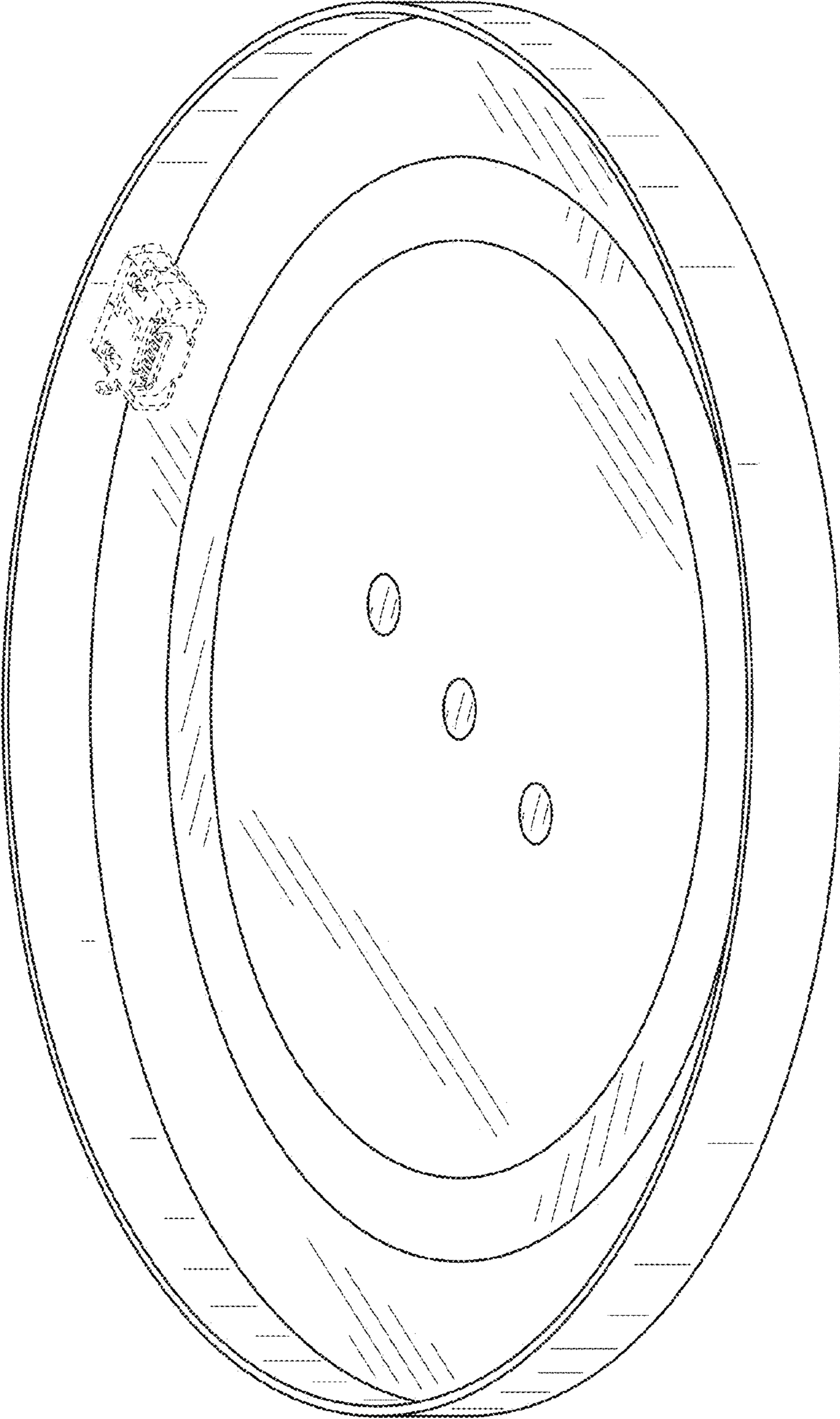


FIG. 2

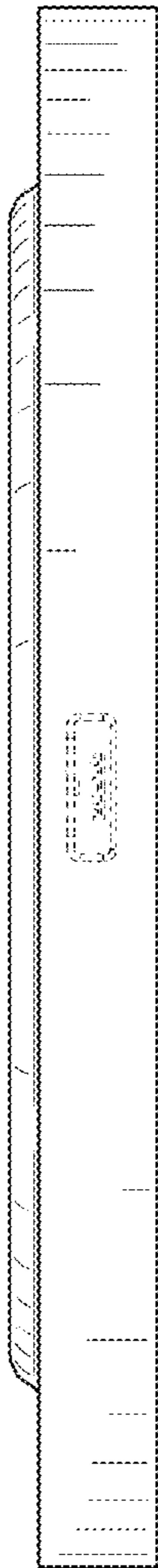


FIG. 3

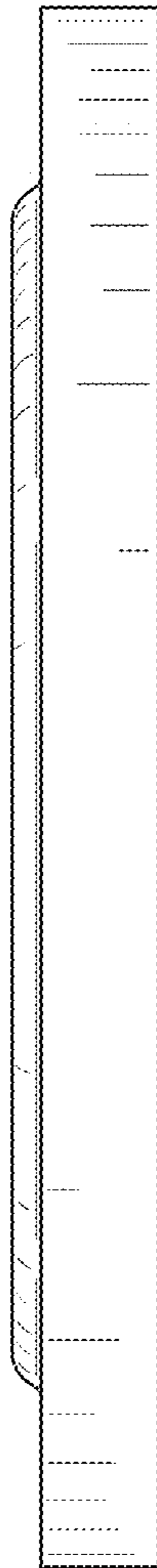


FIG. 4

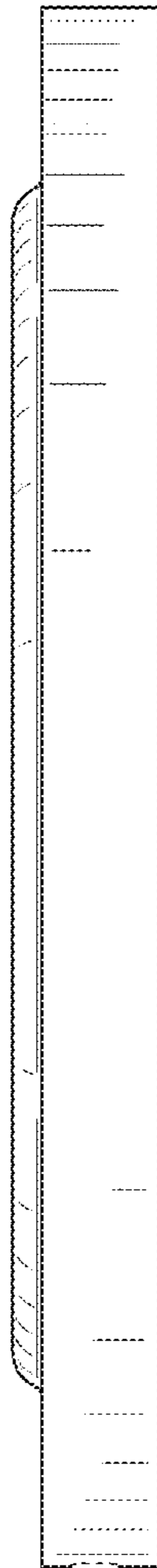


FIG. 5

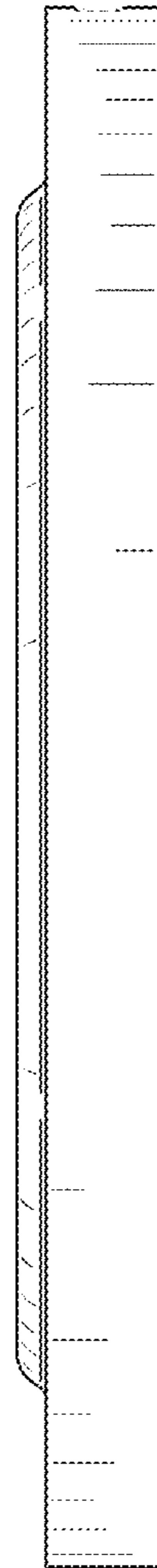


FIG. 6

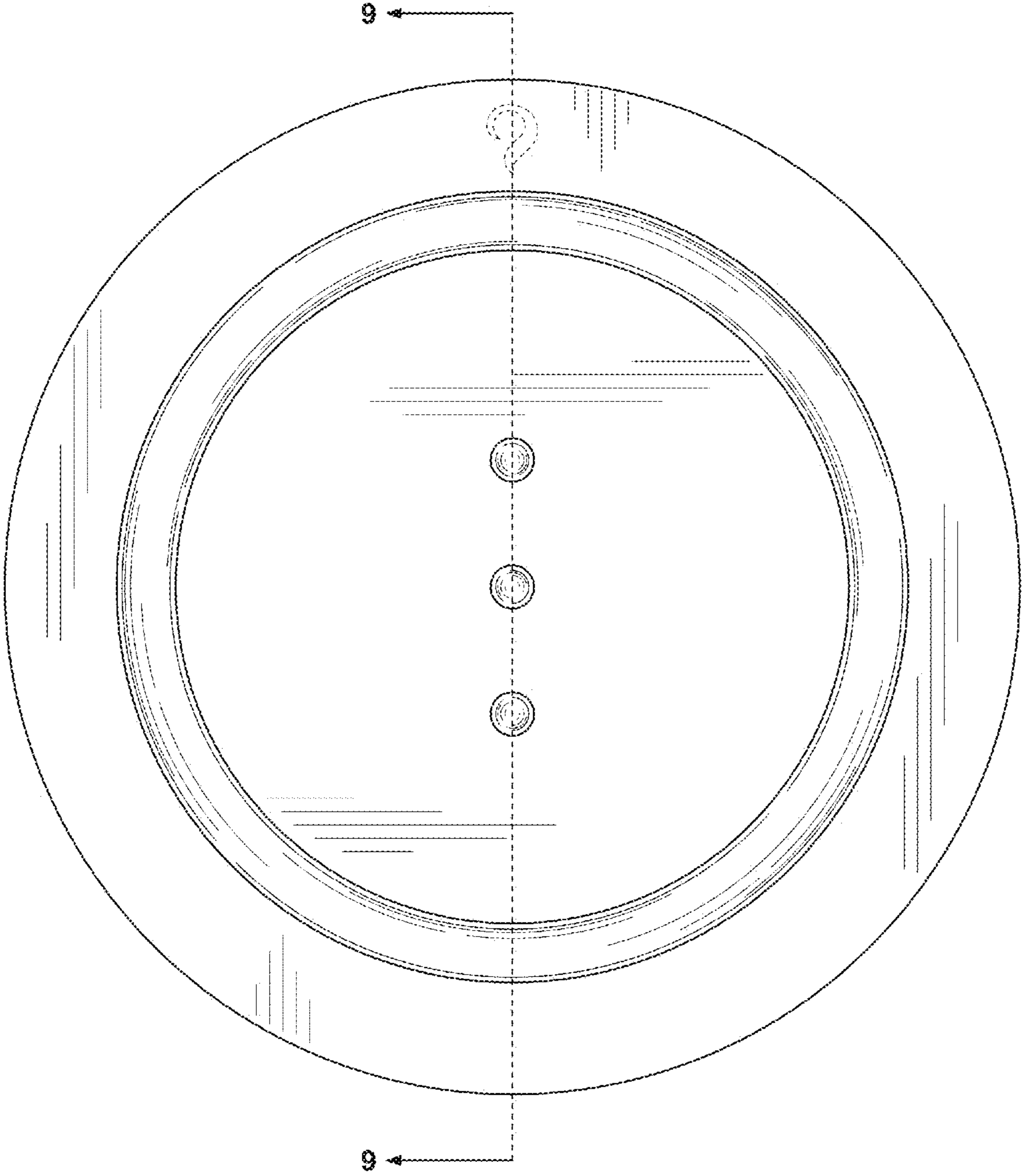


FIG. 7

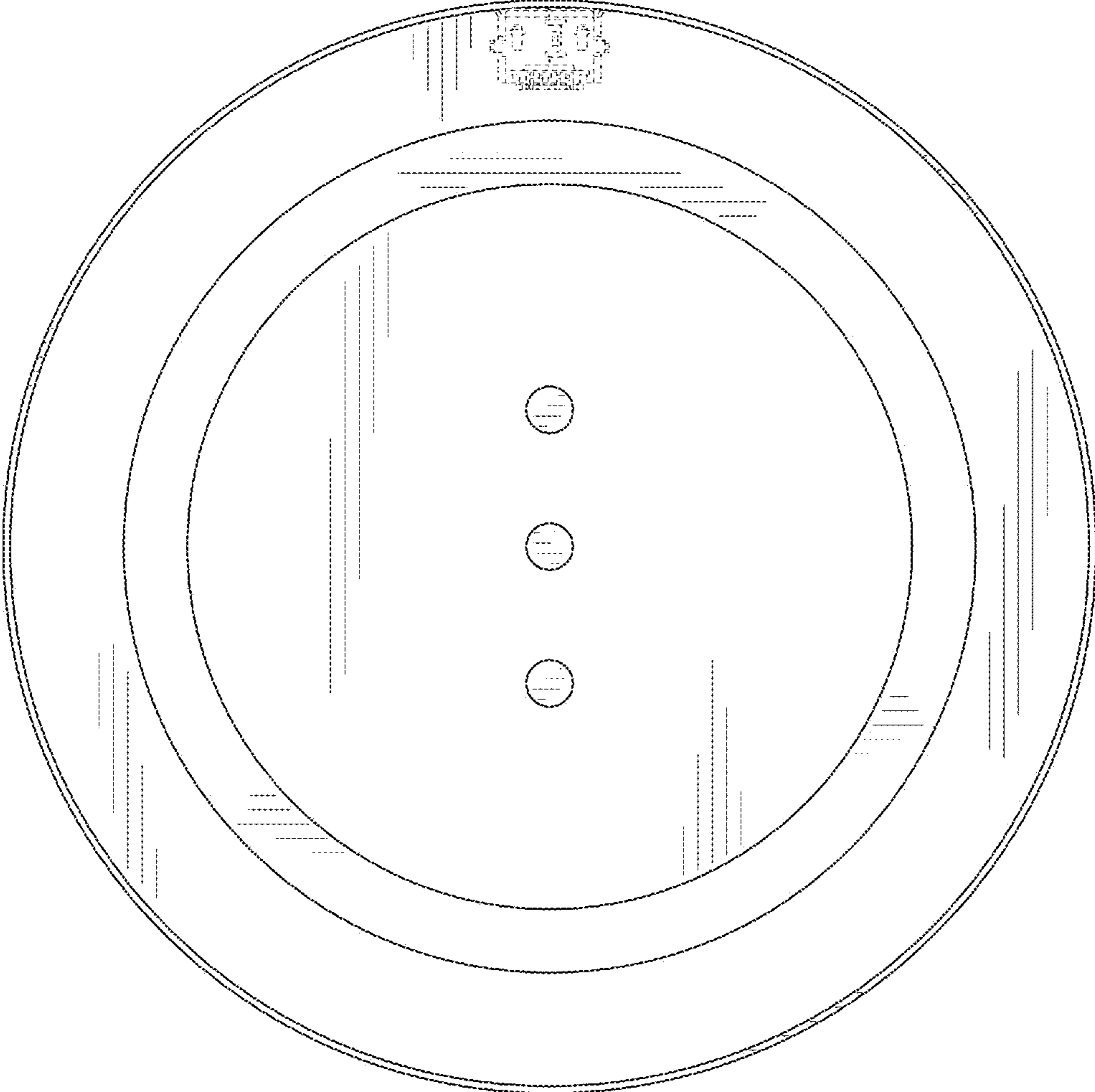


FIG. 8

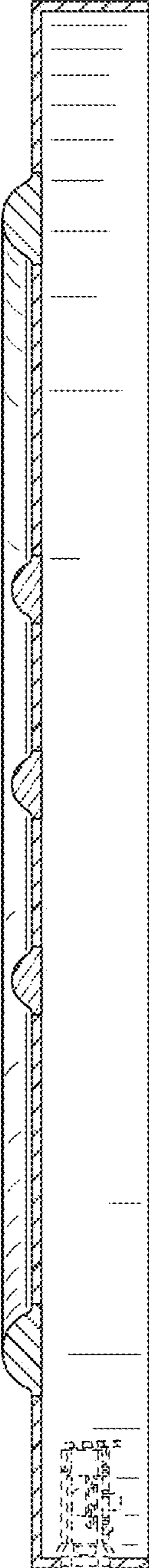


FIG. 9