



US00D740748S

(12) **United States Design Patent**
Figueroa et al.

(10) **Patent No.:** **US D740,748 S**

(45) **Date of Patent:** **** Oct. 13, 2015**

(54) **ELECTROCHEMICAL CELL**

(71) Applicant: **Aqua Products, Inc**, Cedar Grove, NJ (US)

(72) Inventors: **Fernando Figueroa**, Boynton Beach, FL (US); **Mingchuan Zhao**, Boca Raton, FL (US); **Omry Porat**, Delray beach, FL (US); **Yehuda Weinberg**, Zichron Ya'acov (IL)

(73) Assignee: **Aqua Products, Inc.**, Cedar Grove, NJ (US)

(**) Term: **14 Years**

(21) Appl. No.: **29/455,376**

(22) Filed: **May 20, 2013**

(51) **LOC (10) Cl.** **13-02**

(52) **U.S. Cl.**
USPC **D13/103**

(58) **Field of Classification Search**
USPC D13/102-106, 110, 119-121, 184;
429/96-100, 163, 176
CPC Y02E 60/12; Y02E 60/122; Y02E 60/124;
Y02E 60/50; H01M 2/02; H01M 2/022;
H01M 2/0202; H01M 2/0207; H01M 2/0212;
H01M 2/1061; H01M 2/1022; H01M 2/1055;
H01M 2/1066; H01M 2/105; H01M 2/204;
H01M 10/4257; H01M 10/0436; H01M 10/48
See application file for complete search history.

(56) **References Cited**

U.S. PATENT DOCUMENTS

D242,148 S *	11/1976	Slautterback	D13/104
D368,316 S *	3/1996	Jansson	D26/39
D601,961 S *	10/2009	Mahaffey et al.	D13/123
D662,070 S *	6/2012	Loughlin	D13/184
D680,950 S *	4/2013	Nam et al.	D13/103
D686,150 S *	7/2013	Lee et al.	D13/103
D686,152 S *	7/2013	Lee et al.	D13/103

* cited by examiner

Primary Examiner — Rosemary K Tarcza

(74) *Attorney, Agent, or Firm* — Abelman, Frayne & Schwab

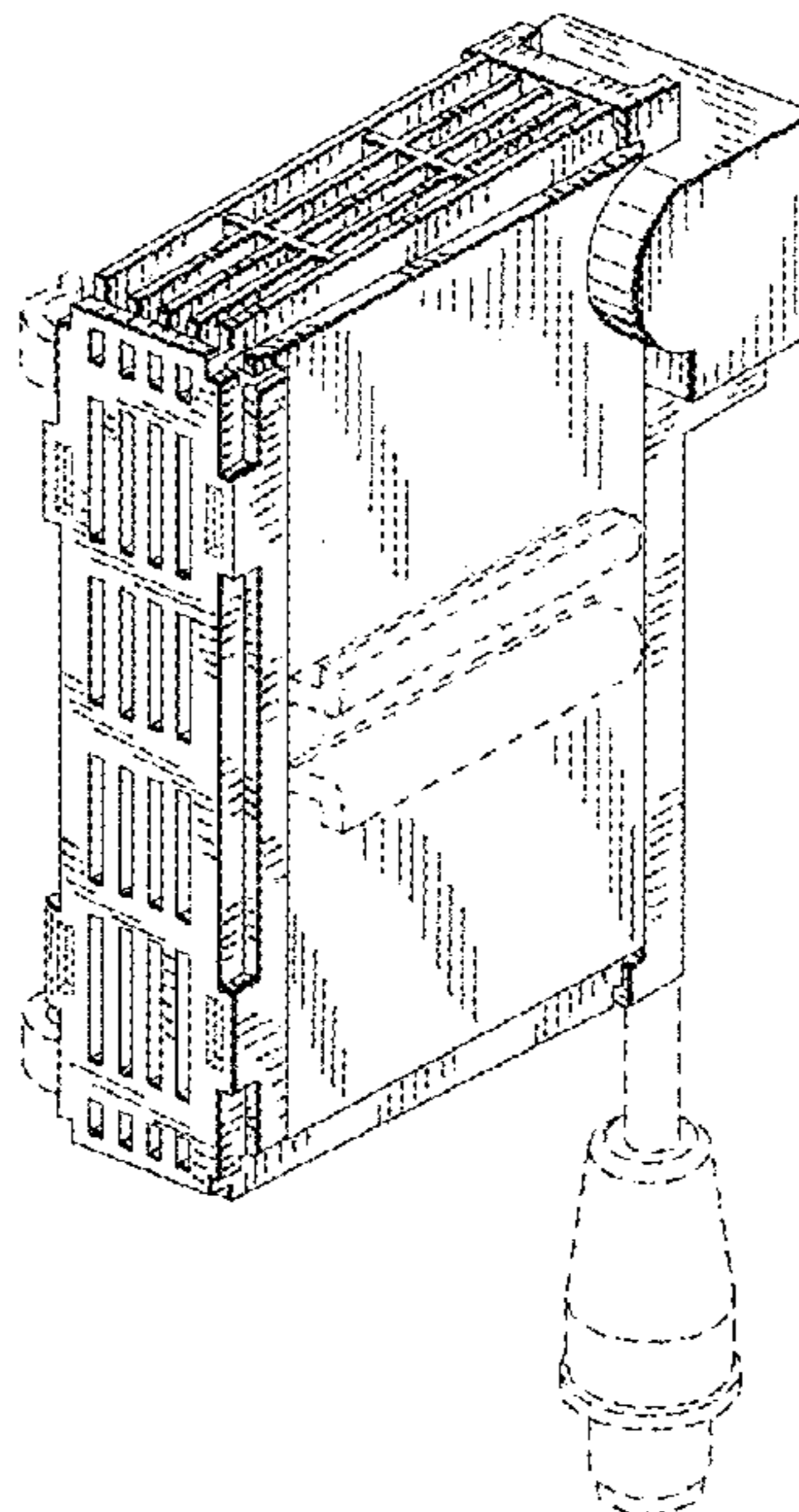
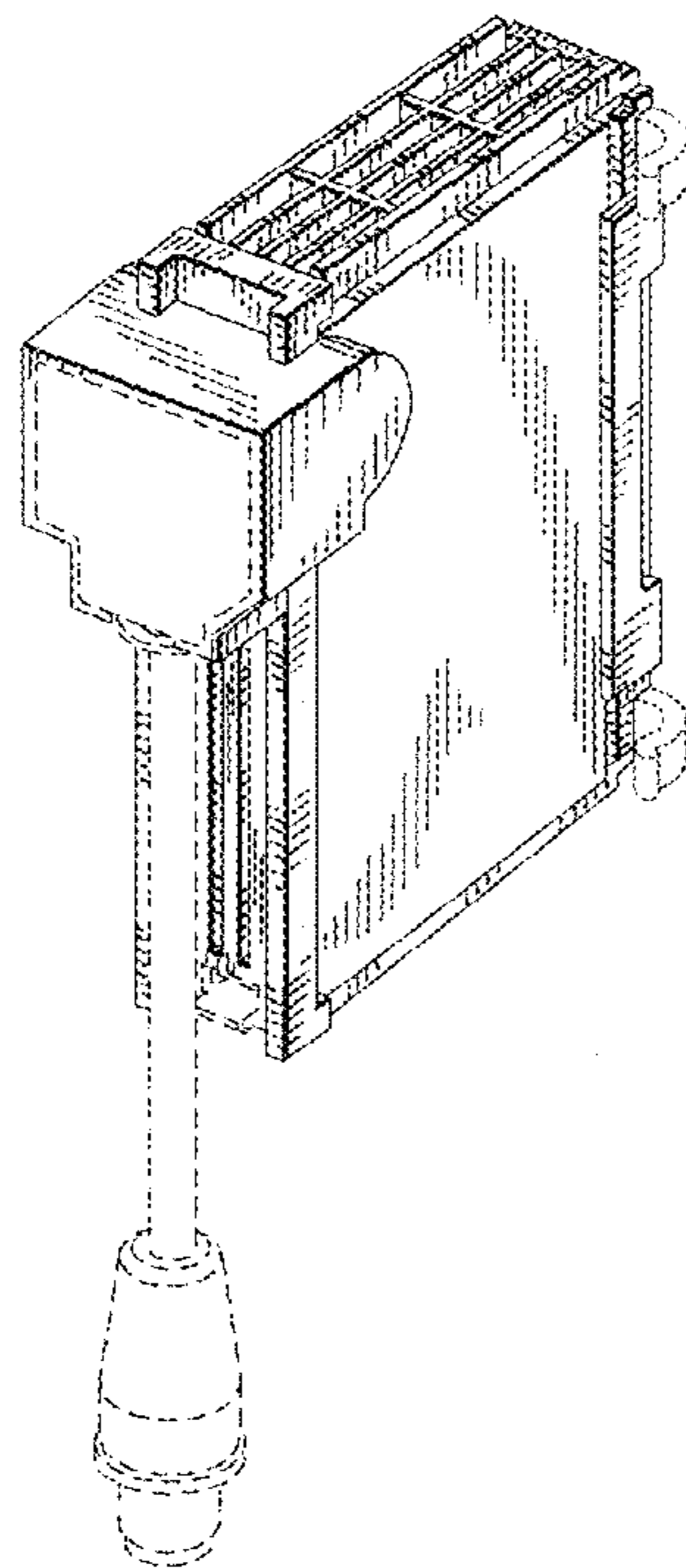
(57) **CLAIM**

The ornamental design for an electrochemical cell, as shown and described.

DESCRIPTION

FIG. 1 is a top, front, right side perspective view of the electrochemical cell of our new design.
FIG. 2 is a top, rear, left side perspective view thereof;
FIG. 3 is a top plan view thereof;
FIG. 4 is a right side elevation view thereof;
FIG. 5 is a rear elevation view thereof;
FIG. 6 is a front elevation view thereof;
FIG. 7 is a left side elevation view thereof; and,
FIG. 8 is bottom view thereof.
The broken lines shown in the drawings are for illustrative purposes only and form no part of the claimed design.

1 Claim, 4 Drawing Sheets



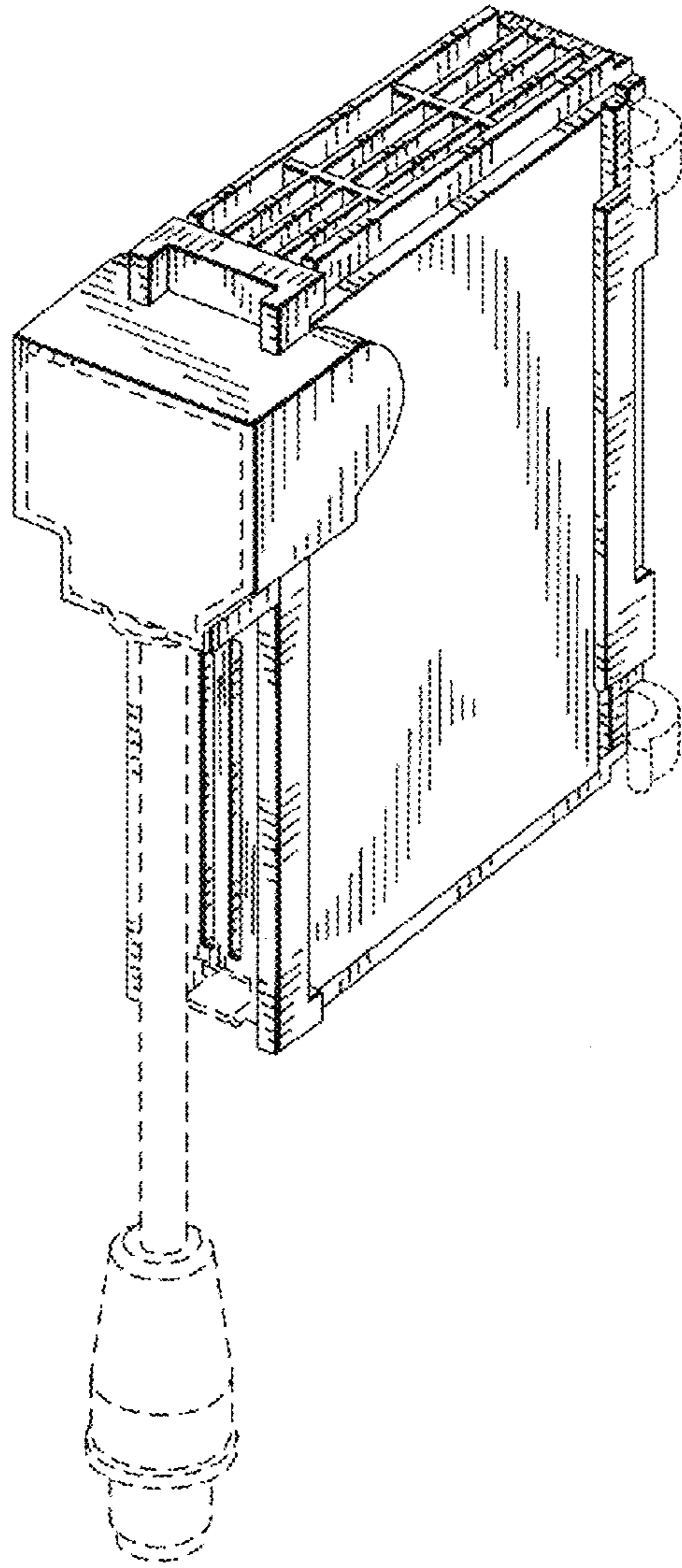


FIG. 1

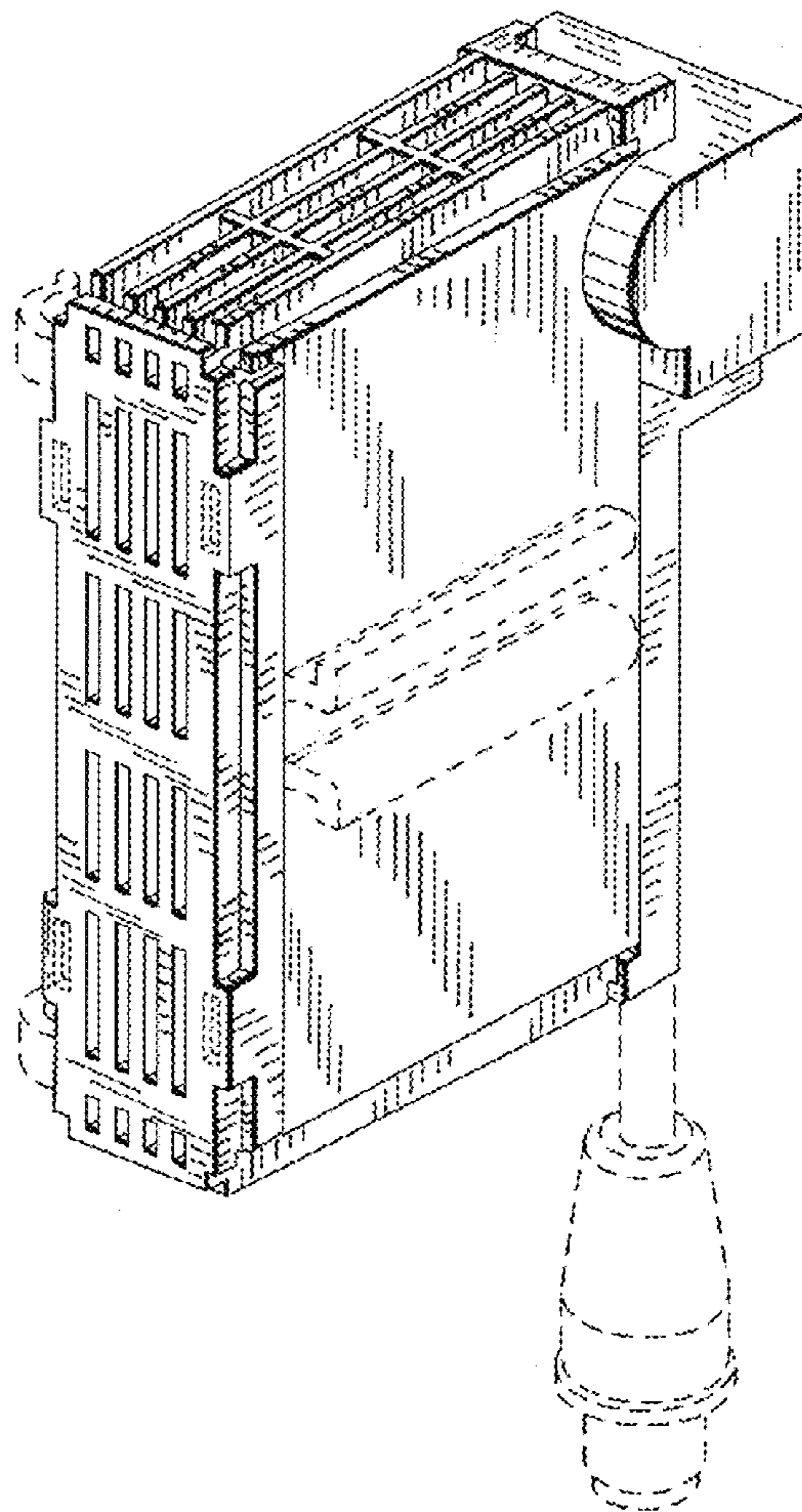


FIG. 2

FIG. 3

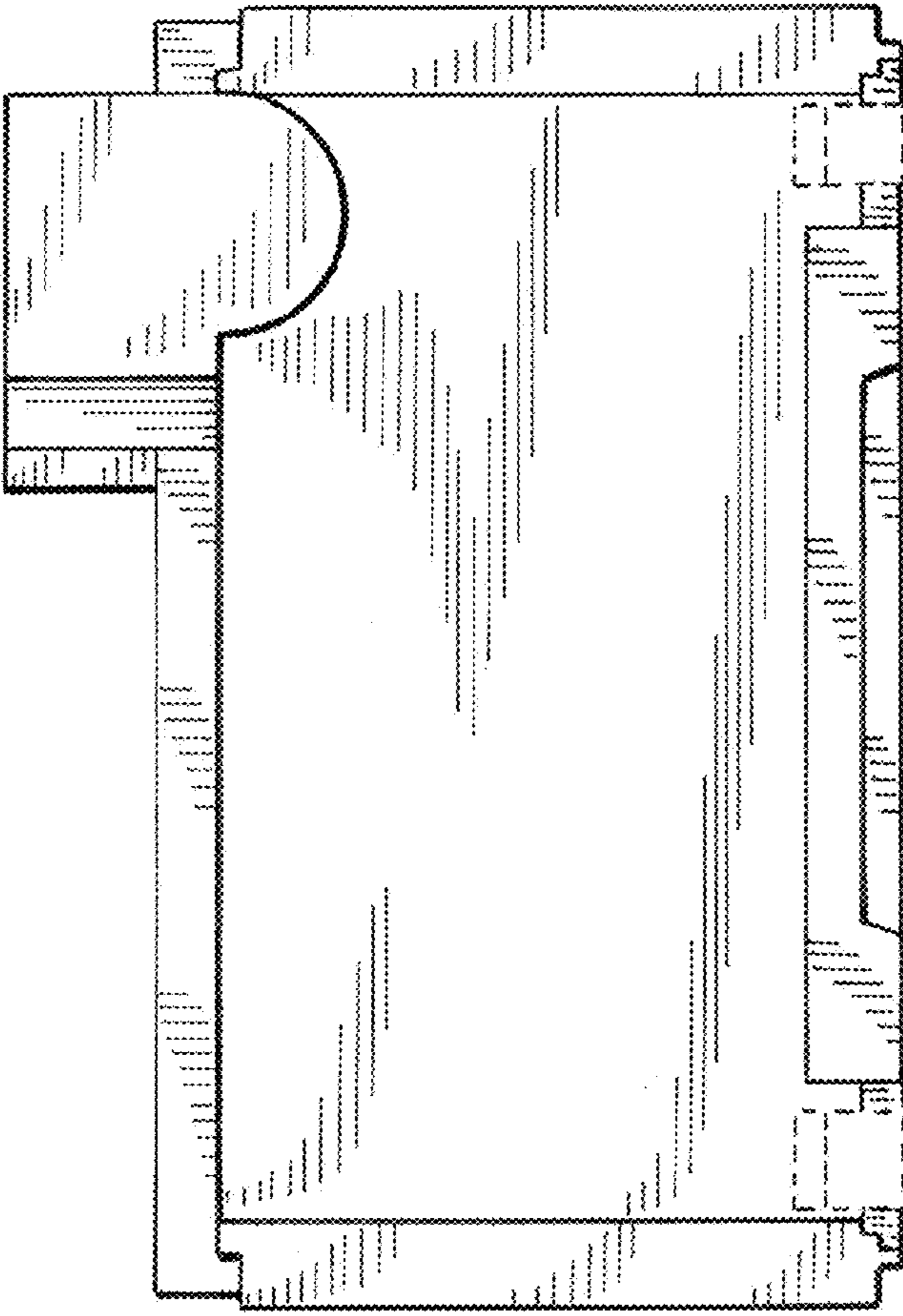
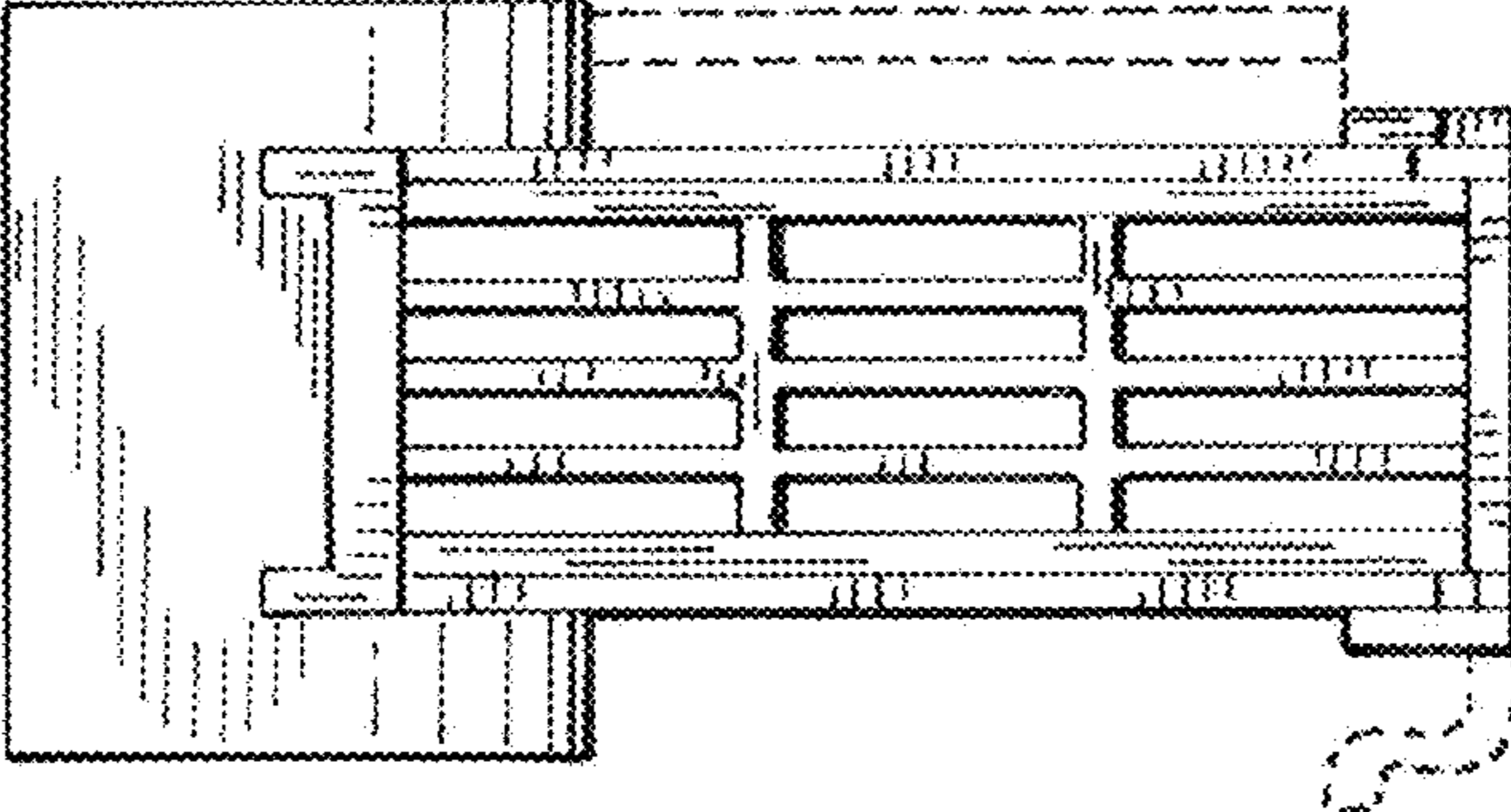


FIG. 4

FIG. 5

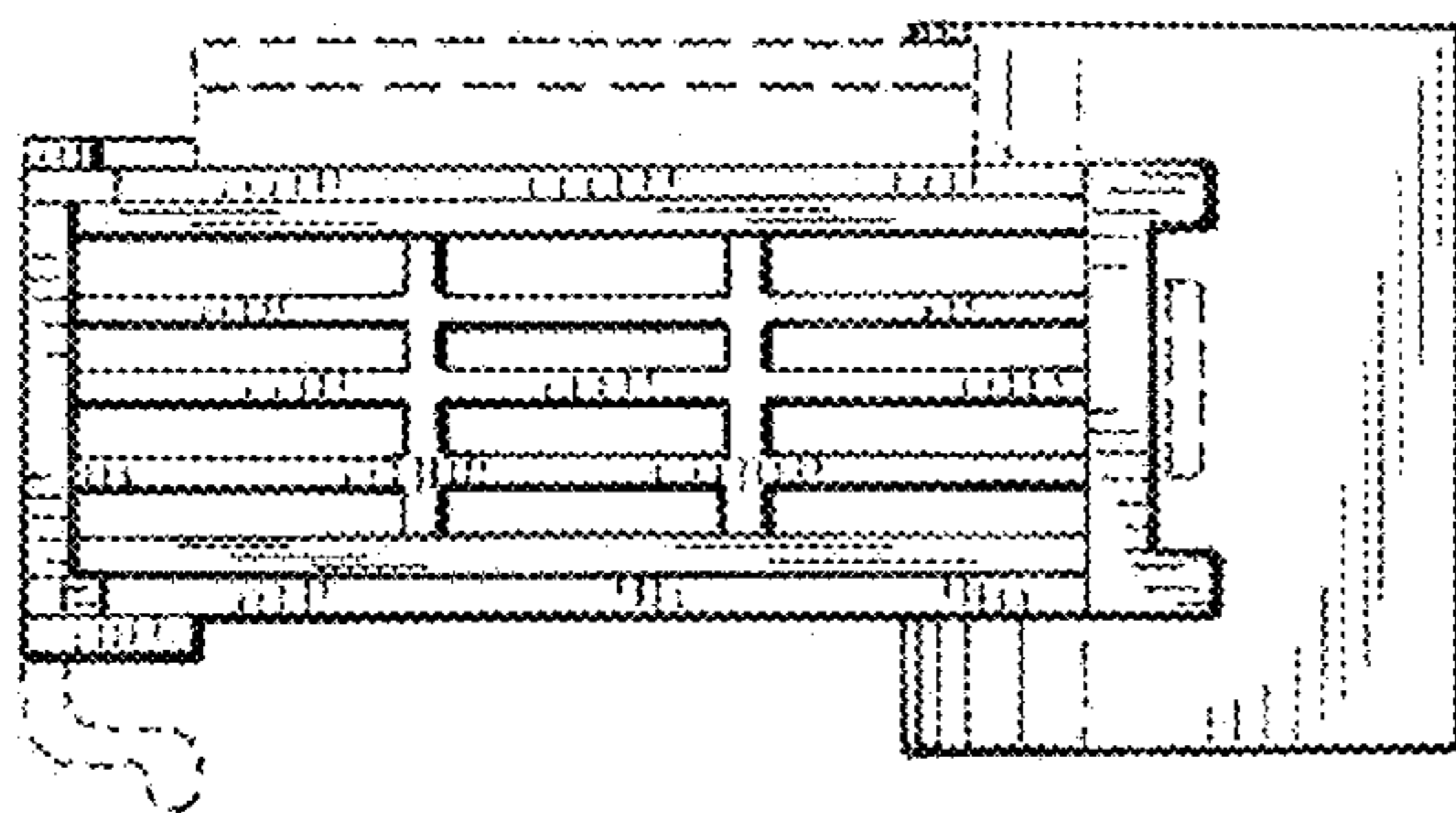
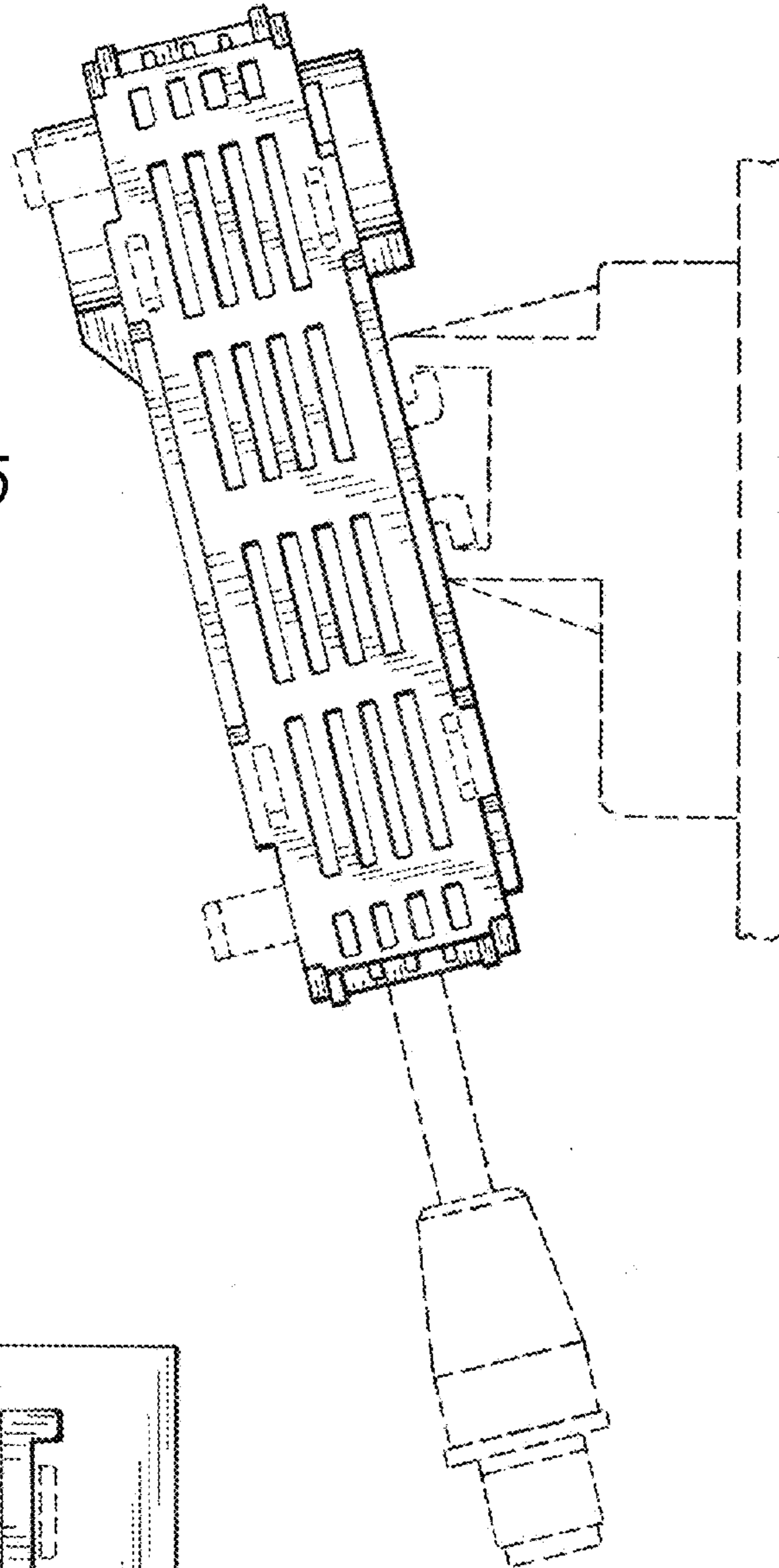


FIG. 8

FIG. 6

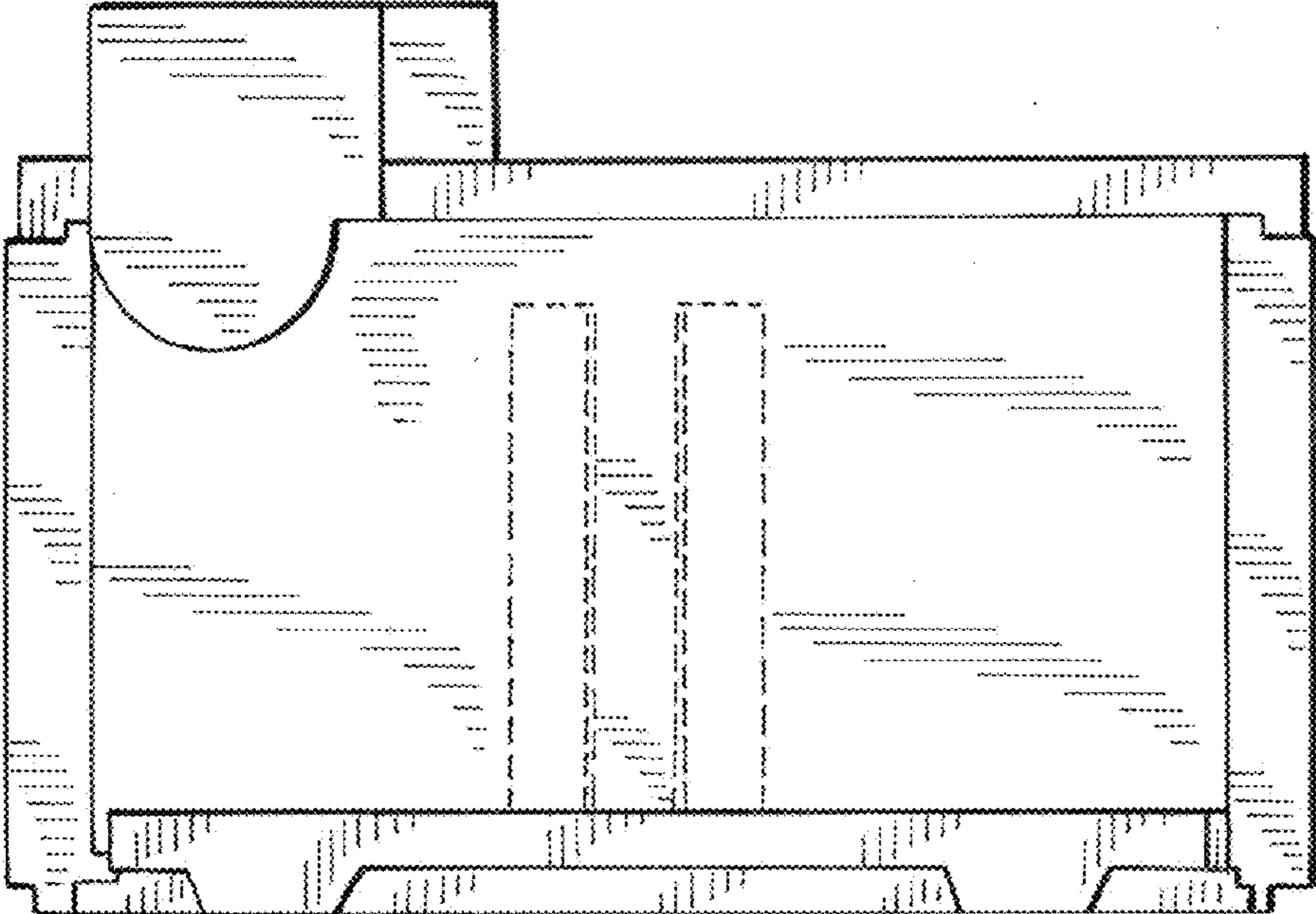
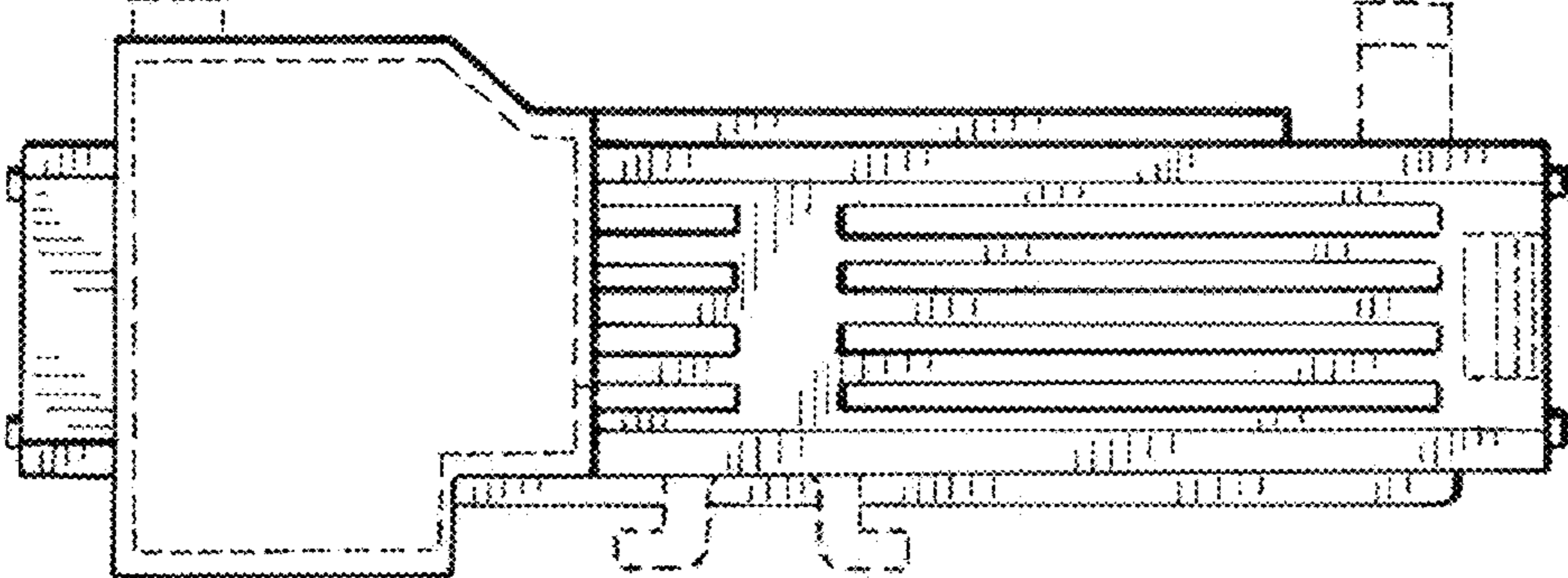


FIG. 7