



US00D740747S

(12) **United States Design Patent**
Sato et al.

(10) **Patent No.:** **US D740,747 S**

(45) **Date of Patent:** **** Oct. 13, 2015**

(54) **AUTOMOBILE TIRE**

(71) Applicant: **THE YOKOHAMA RUBBER CO., LTD.**, Minato-ku, Tokyo (JP)

(72) Inventors: **Kenichi Sato**, Hiratsuka (JP); **Masaaki Miyoshi**, Hiratsuka (JP); **Hiraku Kouda**, Hiratsuka (JP)

(73) Assignee: **THE YOKOHAMA RUBBER CO., LTD.**, Minato-ku, Tokyo (JP)

(**) Term: **14 Years**

(21) Appl. No.: **29/482,739**

(22) Filed: **Feb. 21, 2014**

(30) **Foreign Application Priority Data**

Aug. 22, 2013 (JP) 2013-019193

(51) **LOC (10) Cl.** **12-05**

(52) **U.S. Cl.**
USPC **D12/605**

(58) **Field of Classification Search**
USPC D12/604, 605; D7/588, 396.4, 396.5;
152/523, 524, 525, 555
CPC B60C 13/00; B60C 13/001; B60C 13/02;
B60C 1/0025

See application file for complete search history.

(56) **References Cited**

U.S. PATENT DOCUMENTS

D386,455 S * 11/1997 Clementz et al. D12/605
D568,806 S * 5/2008 Dixon et al. D12/605
D639,728 S * 6/2011 Ohashi D12/605
D640,188 S * 6/2011 Strader et al. D12/605

D668,210 S * 10/2012 Sato D12/605
D689,815 S * 9/2013 Kuwano D12/605
D695,211 S * 12/2013 Yasunaga D12/605
D700,886 S * 3/2014 Matsumoto et al. D12/605
D707,621 S * 6/2014 Tokizaki et al. D12/605

* cited by examiner

Primary Examiner — Cynthia M Chin

(74) *Attorney, Agent, or Firm* — Banner & Witcoff, Ltd.

(57) **CLAIM**

The ornamental design for an automobile tire, as shown and described.

DESCRIPTION

FIG. 1 is a perspective view of an automobile tire showing our new design;

FIG. 2 is a front view thereof;

FIG. 3 is a rear view thereof;

FIG. 4 is a left side view thereof;

FIG. 5 is a right side view thereof;

FIG. 6 is a top plan view thereof;

FIG. 7 is a bottom view thereof;

FIG. 8 is an enlarged perspective view of a portion defined by lines 8 shown in FIG. 1;

FIG. 9 is an enlarged front view of a portion defined by lines 9 shown in FIG. 2;

FIG. 10 is a sectional view taken along lines 10-10 shown in FIG. 9; and,

FIG. 11 is an enlarged front view of a portion defined by lines 11 shown in FIG. 2.

The broken lines shown are included for the purpose of illustrating the unclaimed portions of the automobile tire and form no part of the claimed design.

1 Claim, 11 Drawing Sheets

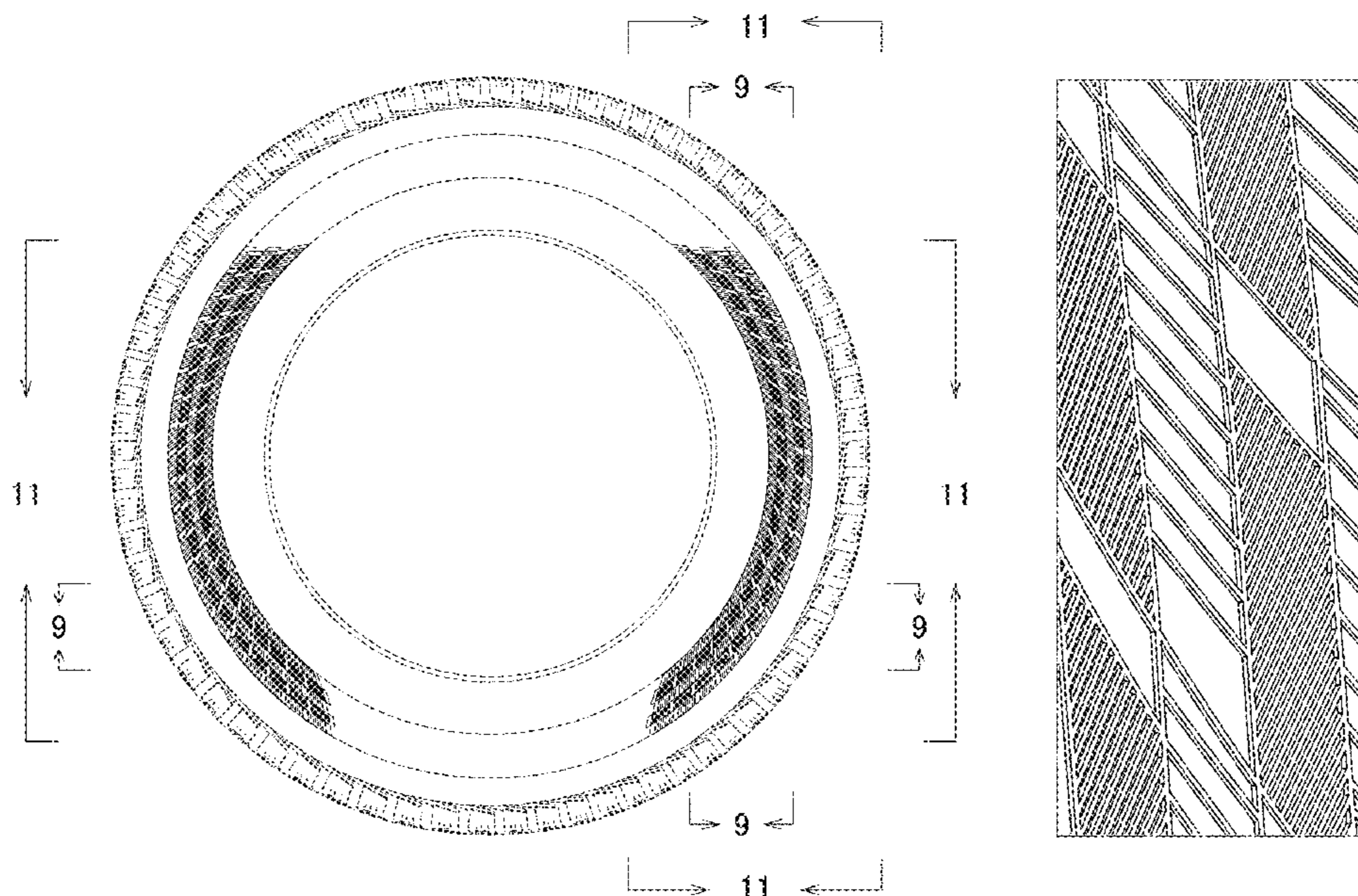


FIG. 1

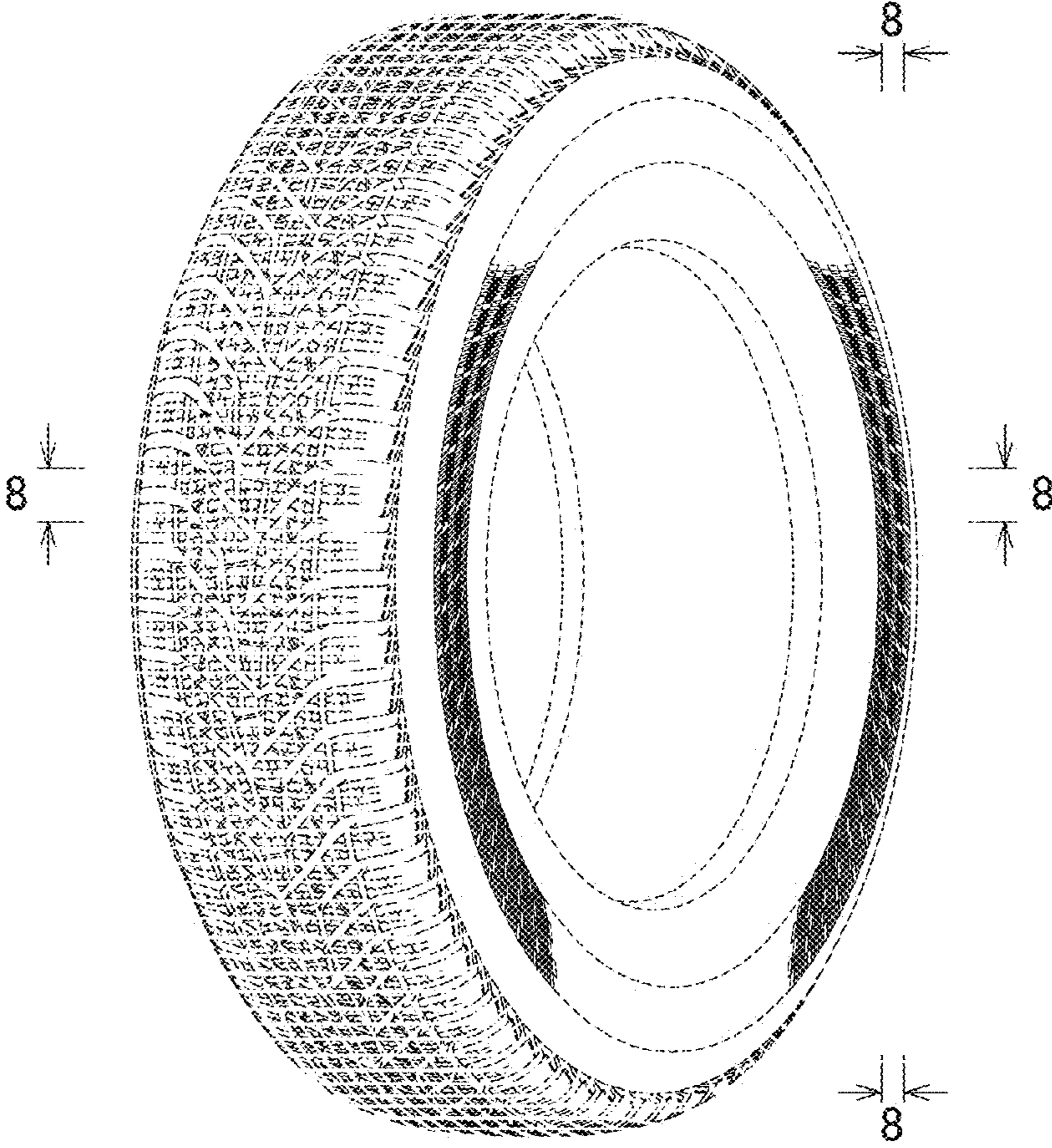


FIG. 2

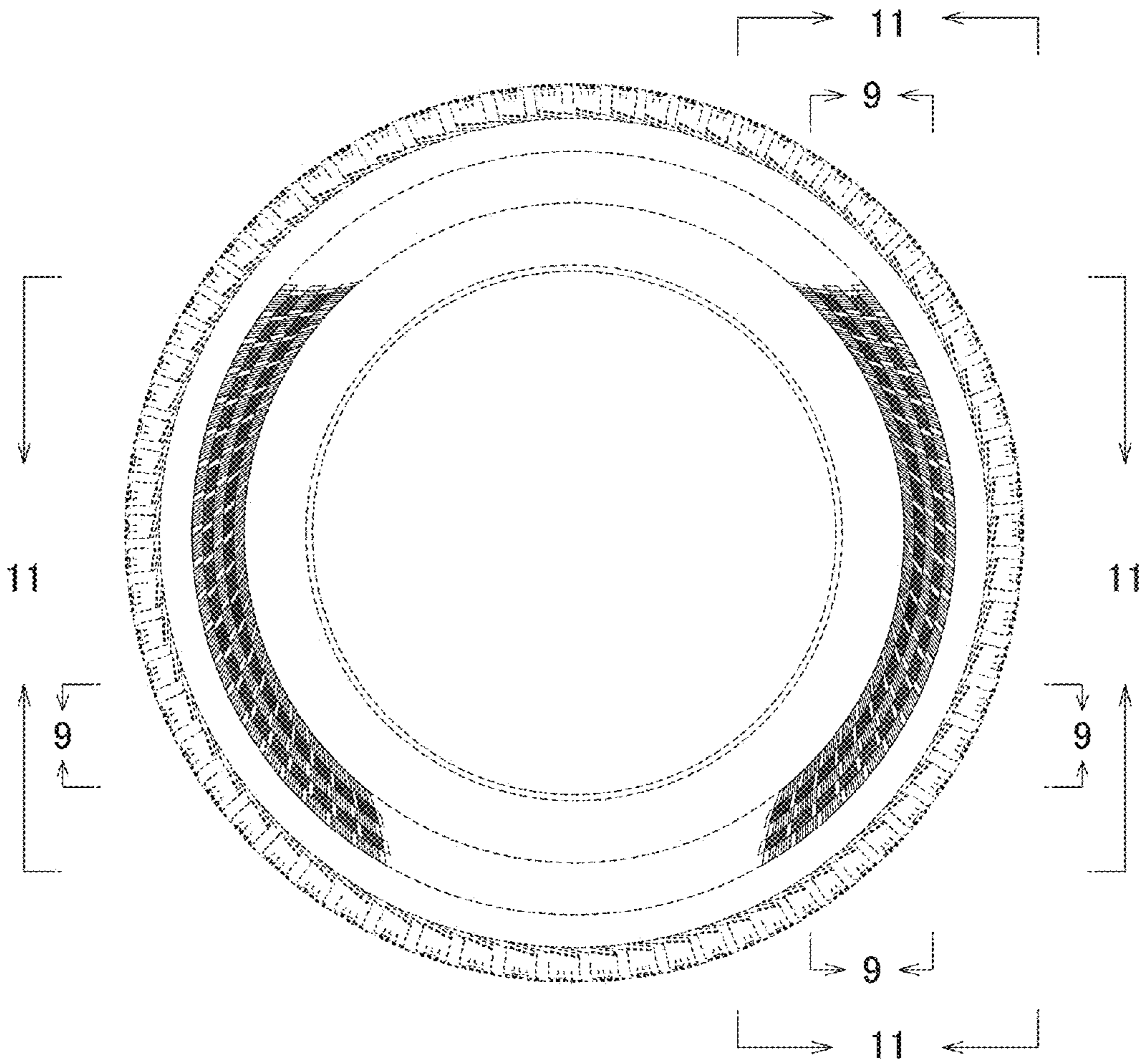


FIG. 3

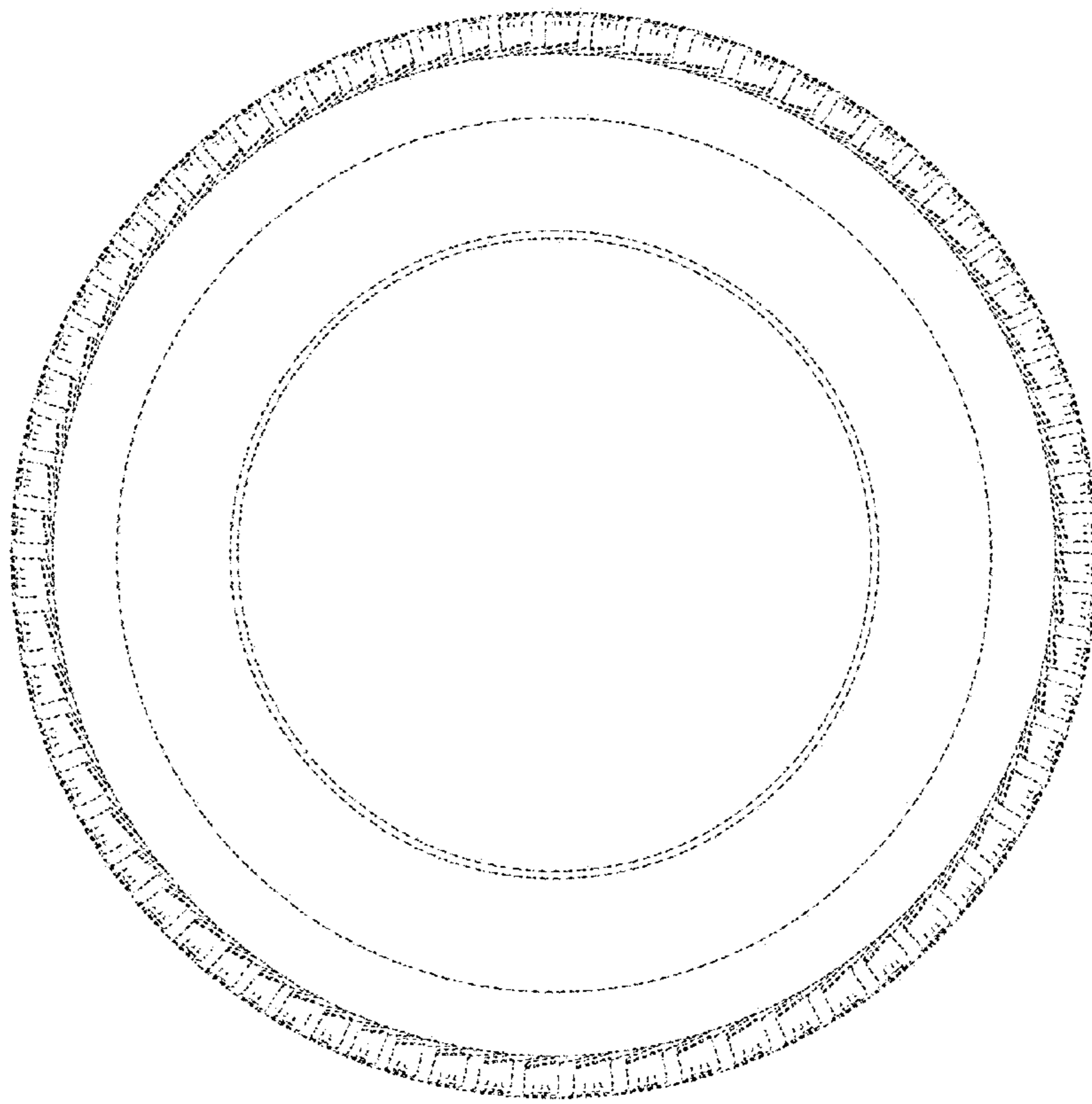


FIG. 4

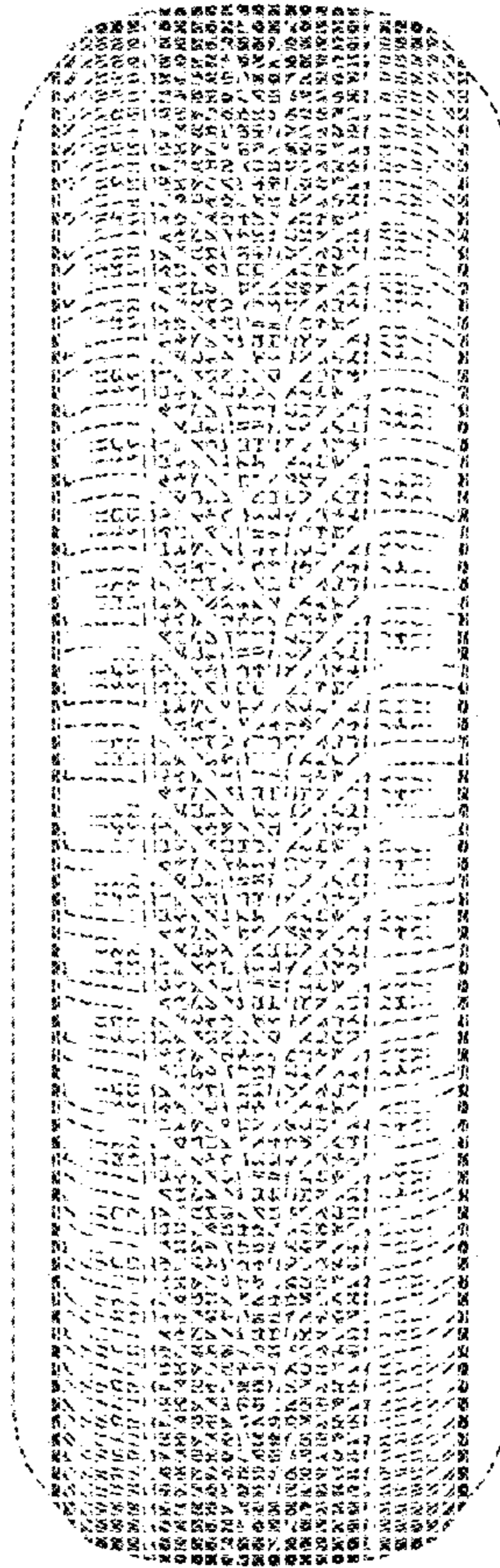


FIG. 5

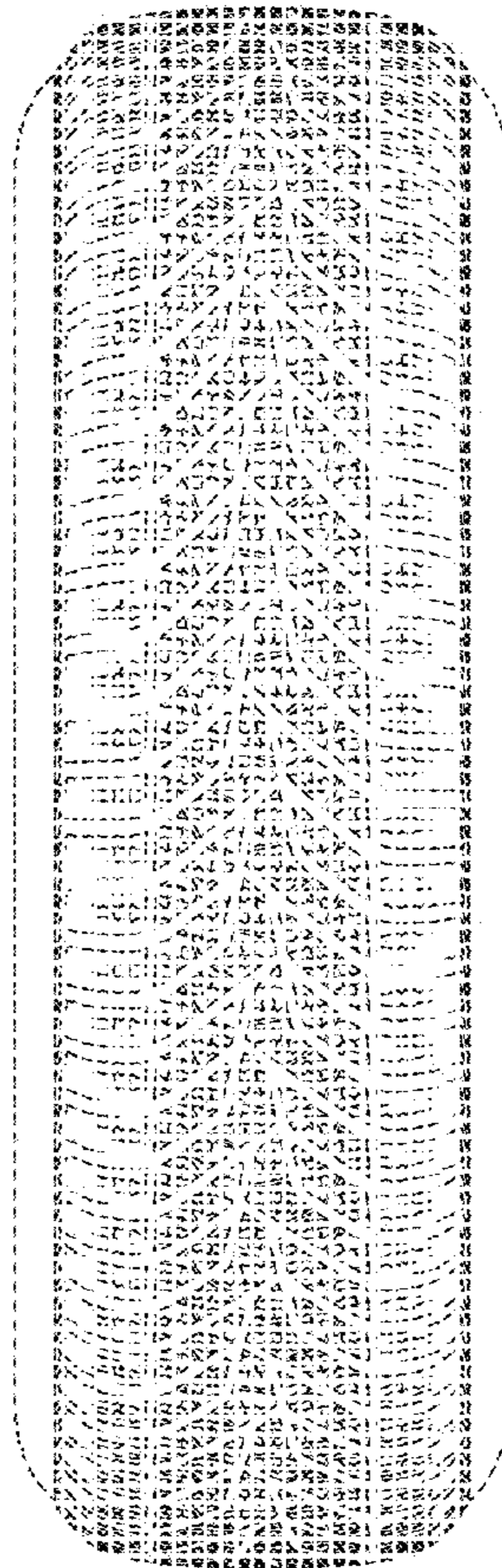


FIG. 6

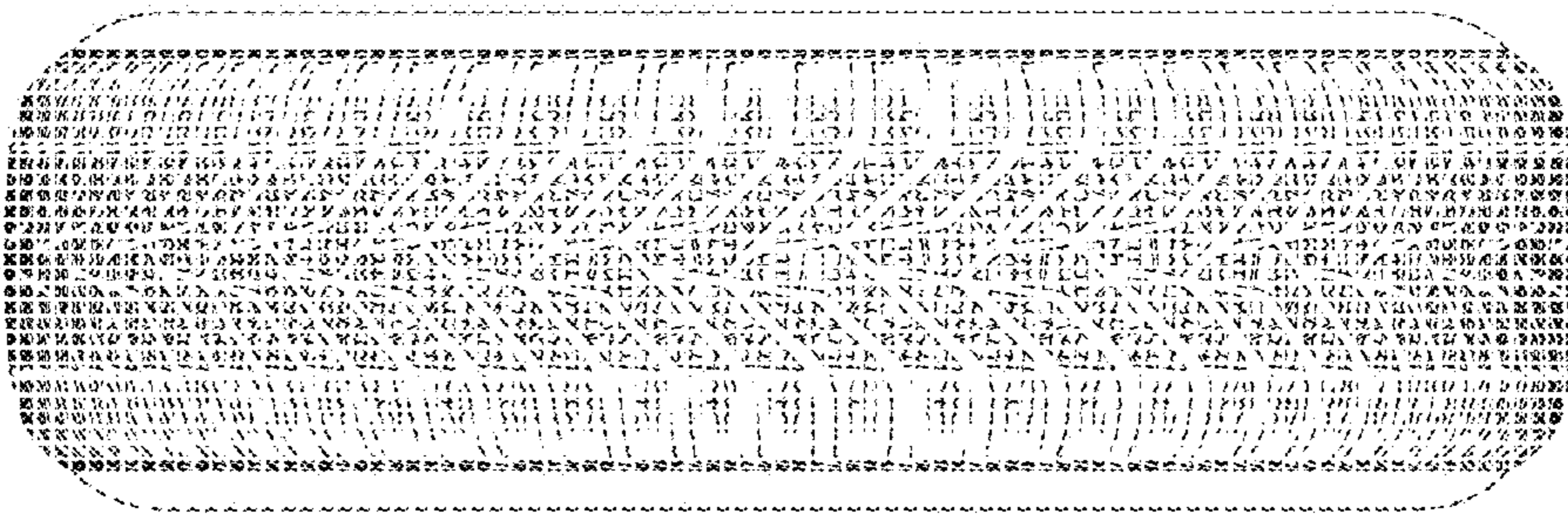


FIG. 7

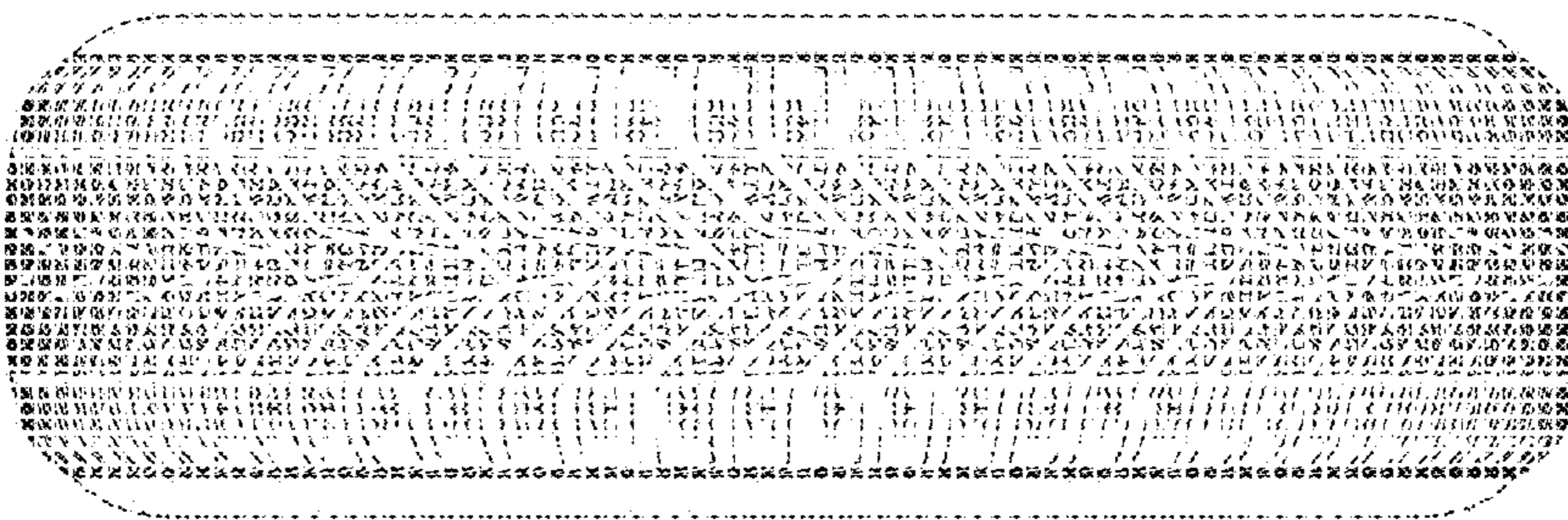


FIG. 8

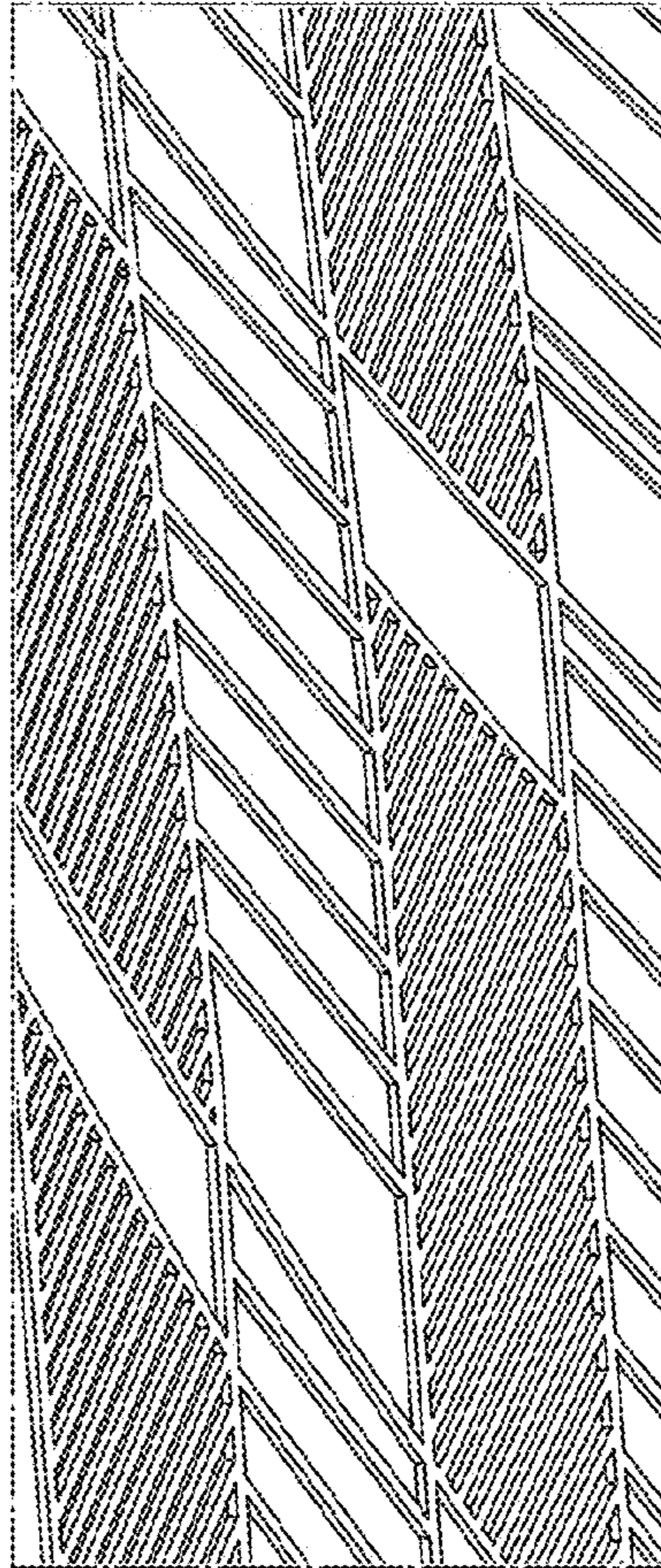


FIG. 9

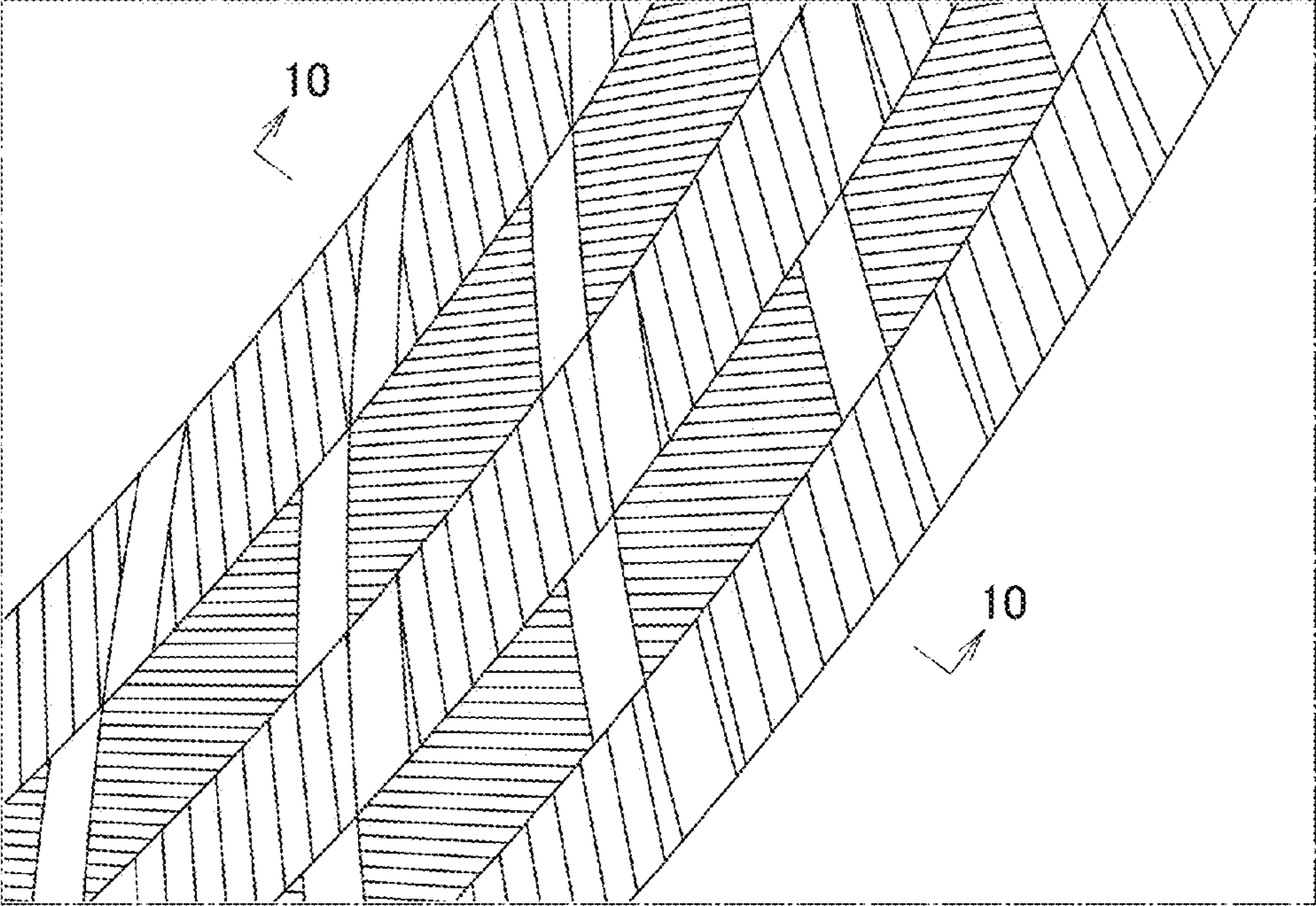


FIG. 10



FIG. 11

