



US00D740745S

(12) **United States Design Patent**
Tian

(10) **Patent No.:** **US D740,745 S**

(45) **Date of Patent:** **** Oct. 13, 2015**

(54) **TYRE**

(71) Applicant: **Jiali Tian**, Shandong Province (CN)

(72) Inventor: **Jiali Tian**, Shandong Province (CN)

(**) Term: **14 Years**

(21) Appl. No.: **29/482,573**

(22) Filed: **Feb. 19, 2014**

(30) **Foreign Application Priority Data**

Aug. 23, 2013 (CN) 2013 3 0404853

(51) **LOC (10) Cl.** **12-15**

(52) **U.S. Cl.**
USPC **D12/586**

(58) **Field of Classification Search**
USPC D12/568-603; 152/209.1-209.9
CPC B60C 1/00; B60C 11/00; B60C 11/03
See application file for complete search history.

(56) **References Cited**

U.S. PATENT DOCUMENTS

D513,402 S *	1/2006	Shirouzu	D12/590
D579,865 S *	11/2008	Matsuyama et al.	D12/586
D610,970 S *	3/2010	You	D12/590
D616,811 S *	6/2010	Yonetsu	D12/601
D704,624 S *	5/2014	Miyazaki	D12/590

* cited by examiner

Primary Examiner — George D Kirschbaum

Assistant Examiner — Natasha Vujcic

(74) *Attorney, Agent, or Firm* — Cozen O'Connor

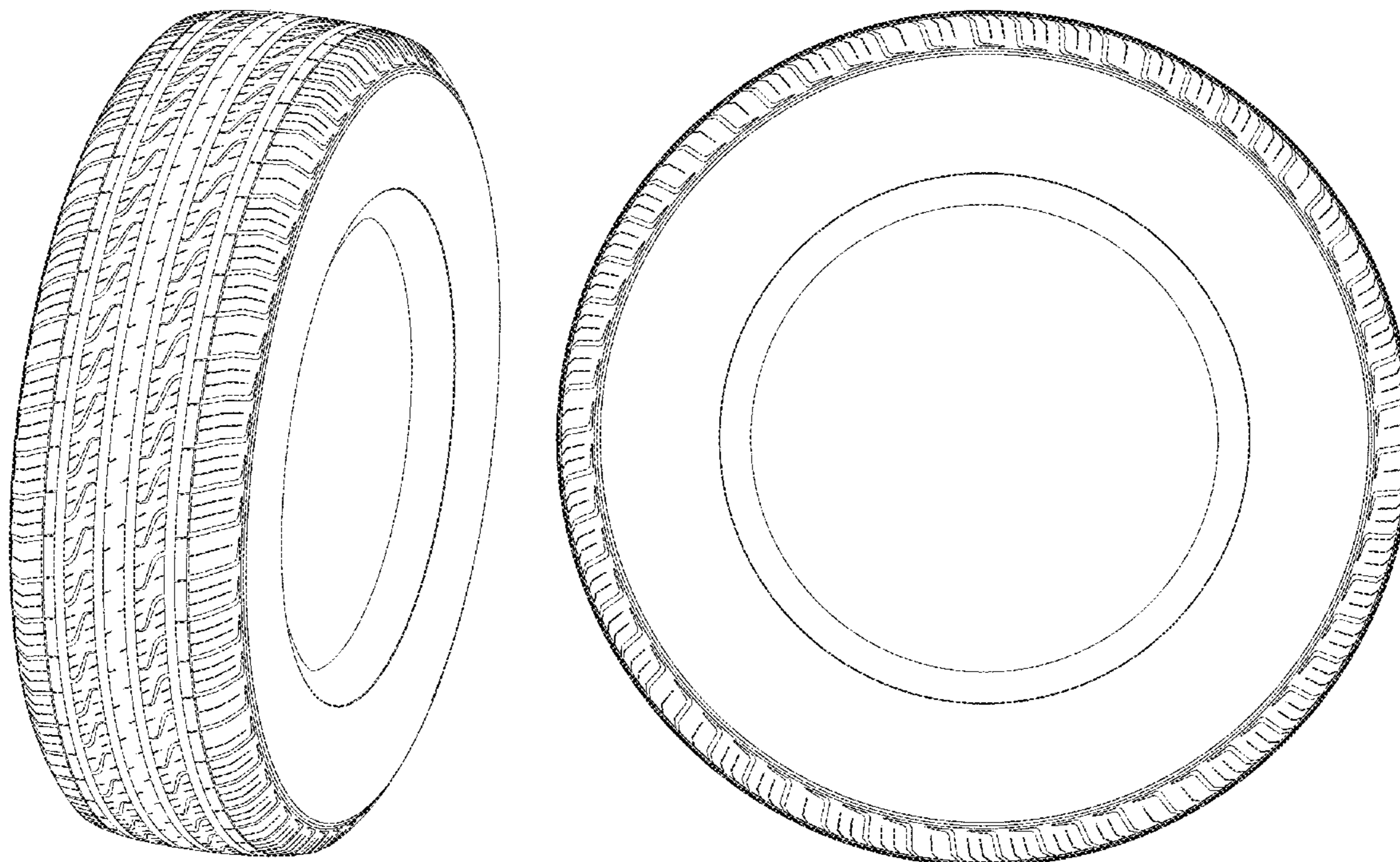
(57) **CLAIM**

The ornamental design for a tyre, as shown and described.

DESCRIPTION

FIG. 1 is a front elevational view of a tyre showing my new design;
FIG. 2 is a left side view thereof; and,
FIG. 3 is a perspective view thereof.
FIG. 2 is a left side view thereof, the right side view being the same as the left side view.

1 Claim, 3 Drawing Sheets



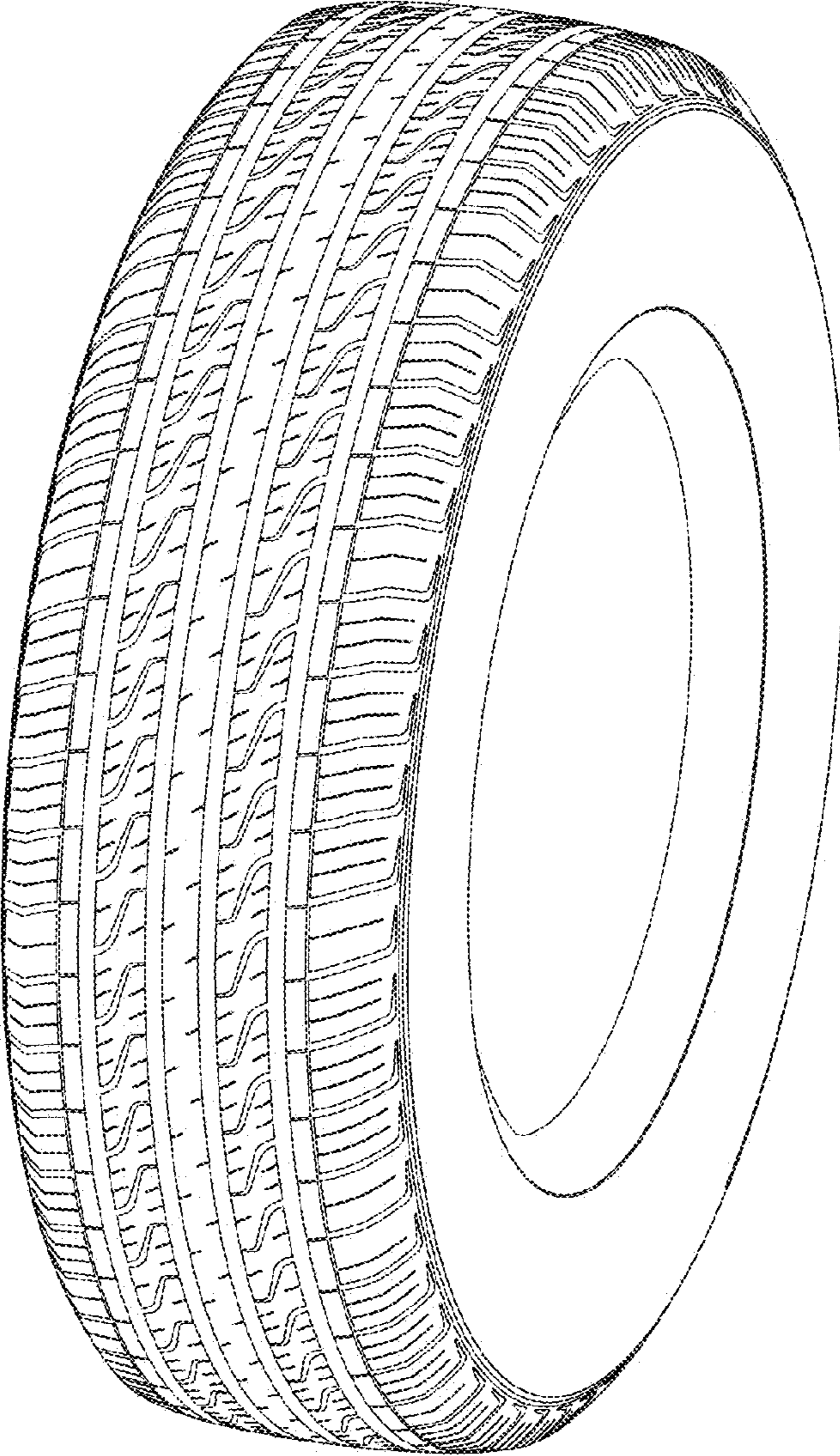


FIG. 1

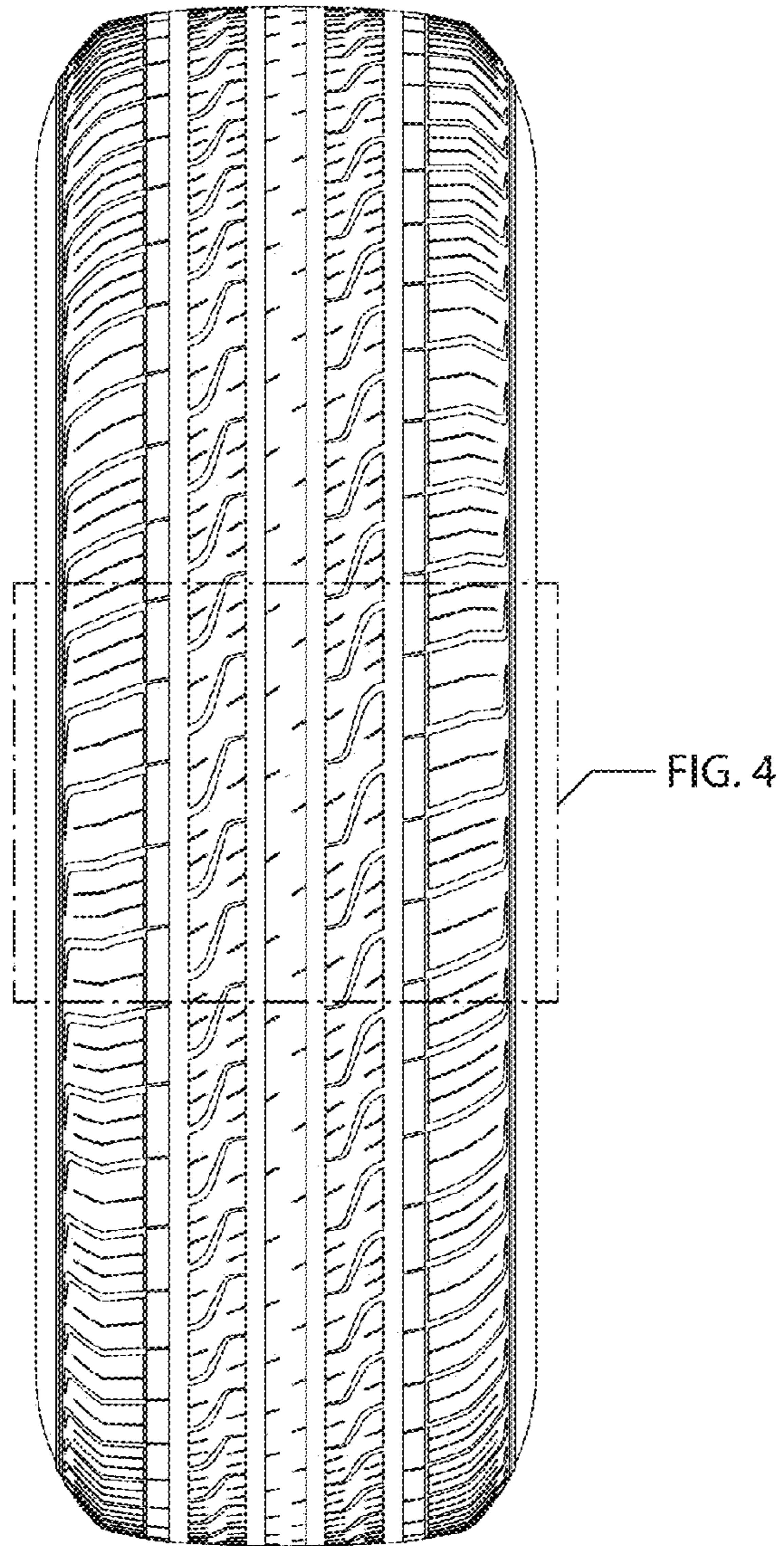


FIG. 2

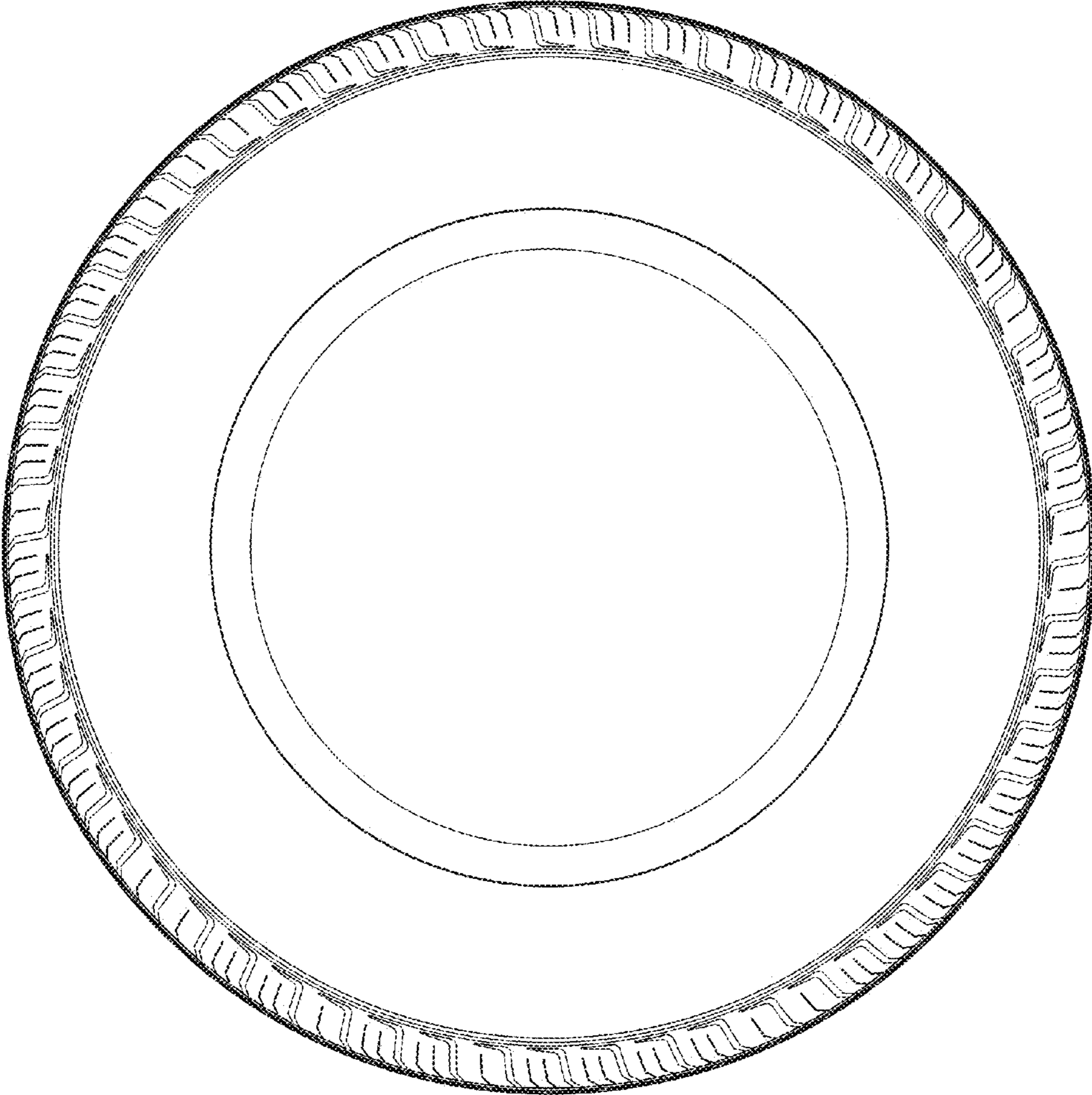


FIG. 3

UNITED STATES PATENT AND TRADEMARK OFFICE
CERTIFICATE OF CORRECTION

PATENT NO. : D740,745 S
APPLICATION NO. : 29/482573
DATED : October 13, 2015
INVENTOR(S) : Jiali Tian

Page 1 of 6

It is certified that error appears in the above-identified patent and that said Letters Patent is hereby corrected as shown below:

On the Title Page

Delete Title Page and Insert attached Title Page.

In the Description:

Delete "FIG. 2 is a left side view thereof; and," and insert --FIG. 2 is a front view thereof, the rear view being the same as the front side view;--.

Delete "FIG. 3 is a perspective view thereof." and insert --FIG. 3 is a left side view thereof, the right side being the same as the left side view; and--.

Delete "FIG. 2 is a left side view thereof, the right side view being the same as the left side view." and insert --FIG. 4 is a detailed view of the cutout portion of FIG. 2.--.

In the Drawings

Please replace old Figures 1 through 3, Sheets 1, 2 and 3, with Replacement Figures 1 through 4, Sheets, 1, 2, 3, and 4.

Signed and Sealed this
Nineteenth Day of September, 2017



Joseph Matal
*Performing the Functions and Duties of the
Under Secretary of Commerce for Intellectual Property and
Director of the United States Patent and Trademark Office*

(12) **United States Design Patent**
Tian

(10) **Patent No.:** **US D740,745 S**
(45) **Date of Patent:** **** Oct. 13, 2015**

(54) **TYRE**

(71) Applicant: **Jiali Tian**, Shandong Province (CN)

(72) Inventor: **Jiali Tian**, Shandong Province (CN)

(**) **Term:** **14 Years**

(21) Appl. No.: **29/482,573**

(22) Filed: **Feb. 19, 2014**

(30) **Foreign Application Priority Data**

Aug. 23, 2013 (CN) 2013 3 0404853

(51) **LOC (10) CL** **12-15**

(52) **U.S. CL**
USPC **D12/586**

(58) **Field of Classification Search**
USPC D12/568 603; 152/209.1 209.9
CPC B60C 1/00; B60C 11/00; B60C 11/03
See application file for complete search history.

(56) **References Cited**

U.S. PATENT DOCUMENTS

D513,402 S *	1-2006	Shirouzu	D12/590
D579,865 S *	11-2008	Matsuyama et al	D12/586
D610,970 S *	3-2010	You	D12/590
D616,811 S *	6-2010	Yonetsu	D12/601
D704,624 S *	5-2014	Miyazaki	D12/590

* cited by examiner

Primary Examiner — George D Kirschbaum
Assistant Examiner — Natasha Vujcic
(74) *Attorney, Agent, or Firm* — Cozen O'Connor

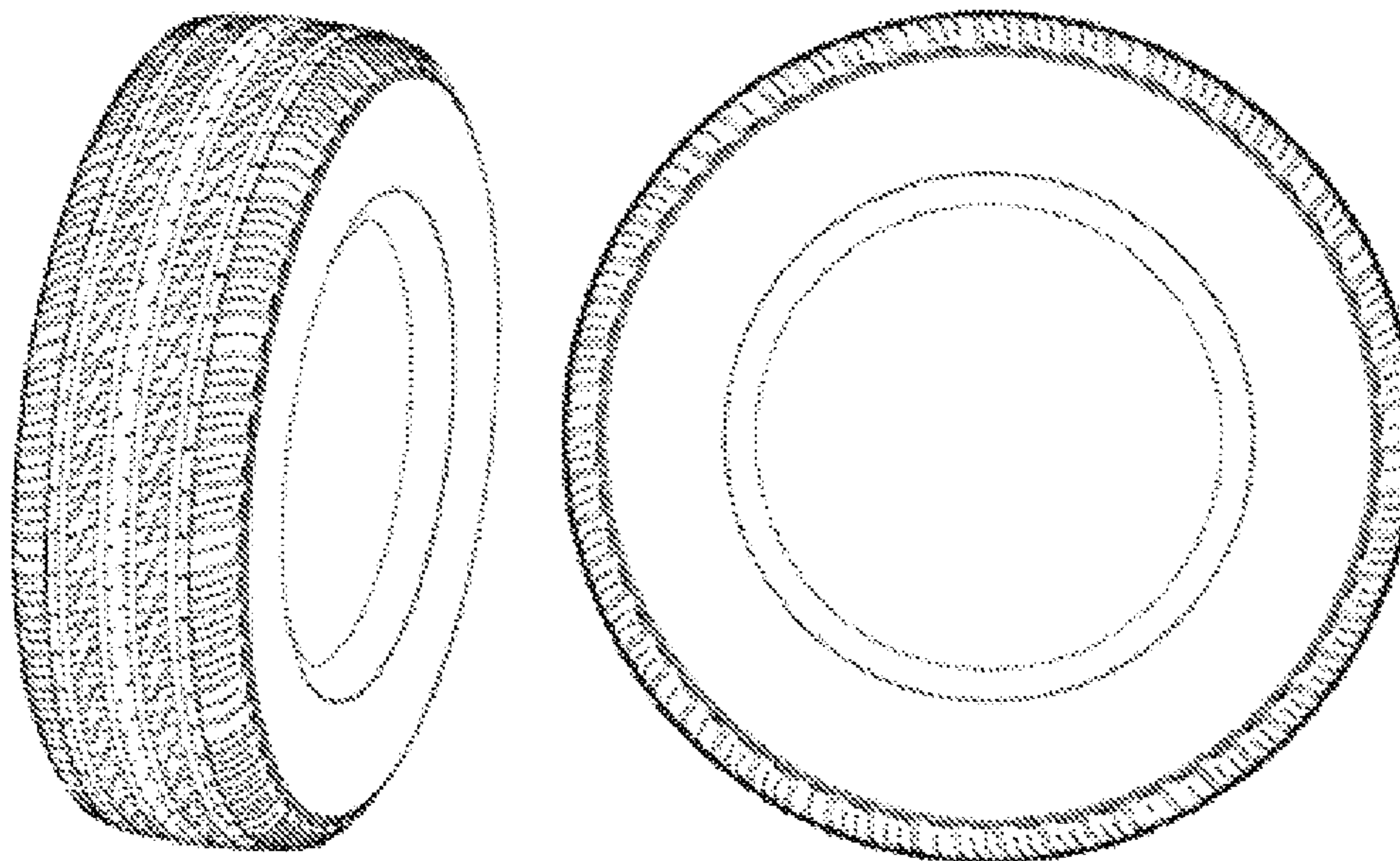
(57) **CLAIM**

The ornamental design for a tyre, as shown and described.

DESCRIPTION

FIG. 1 is a front elevational view of a tyre showing my new design;
FIG. 2 is a left side view thereof; and,
FIG. 3 is a perspective view thereof.
FIG. 2 is a left side view thereof, the right side view being the same as the left side view.

1 Claim, 4 Drawing Sheets



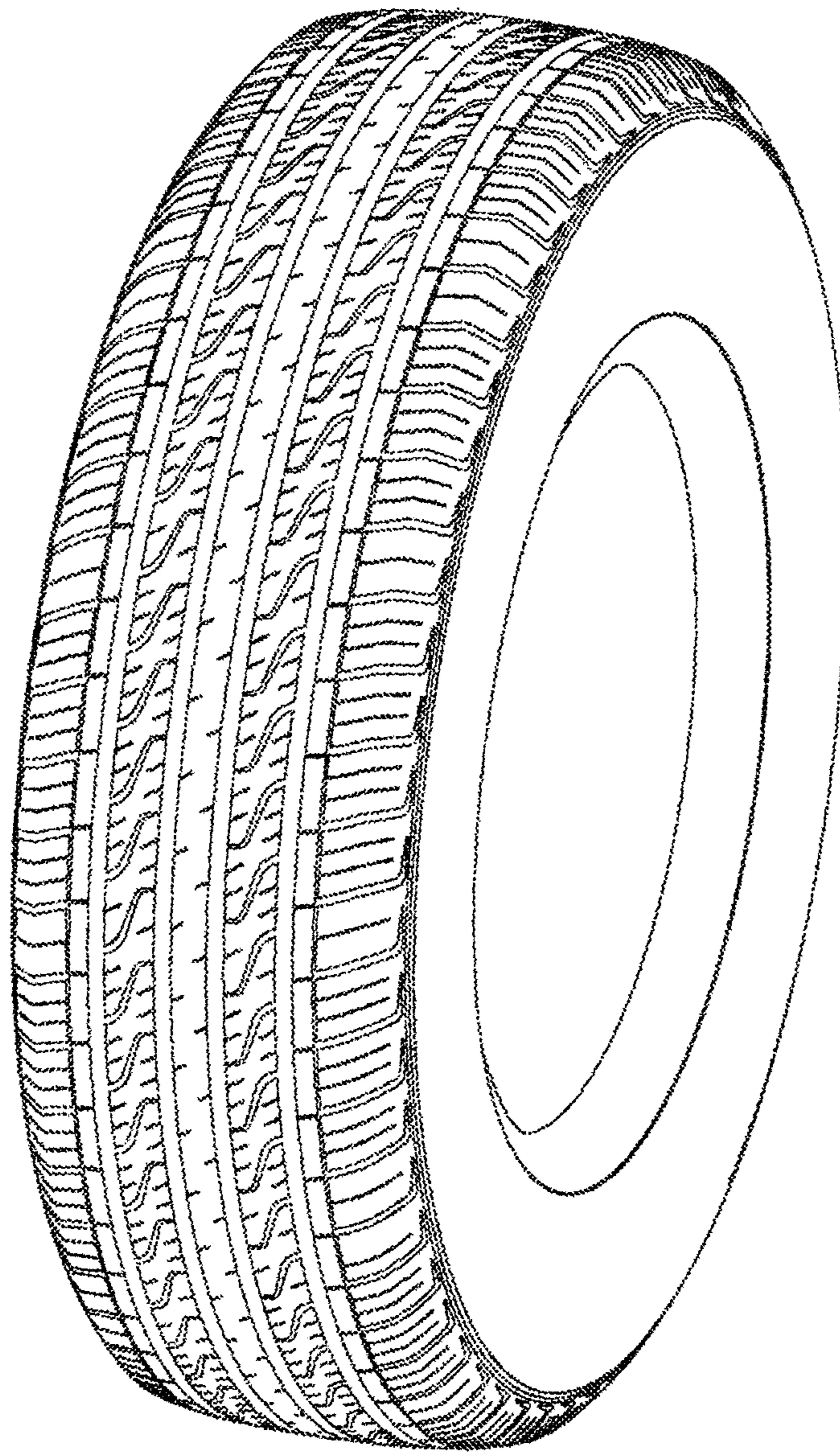


FIG. 1

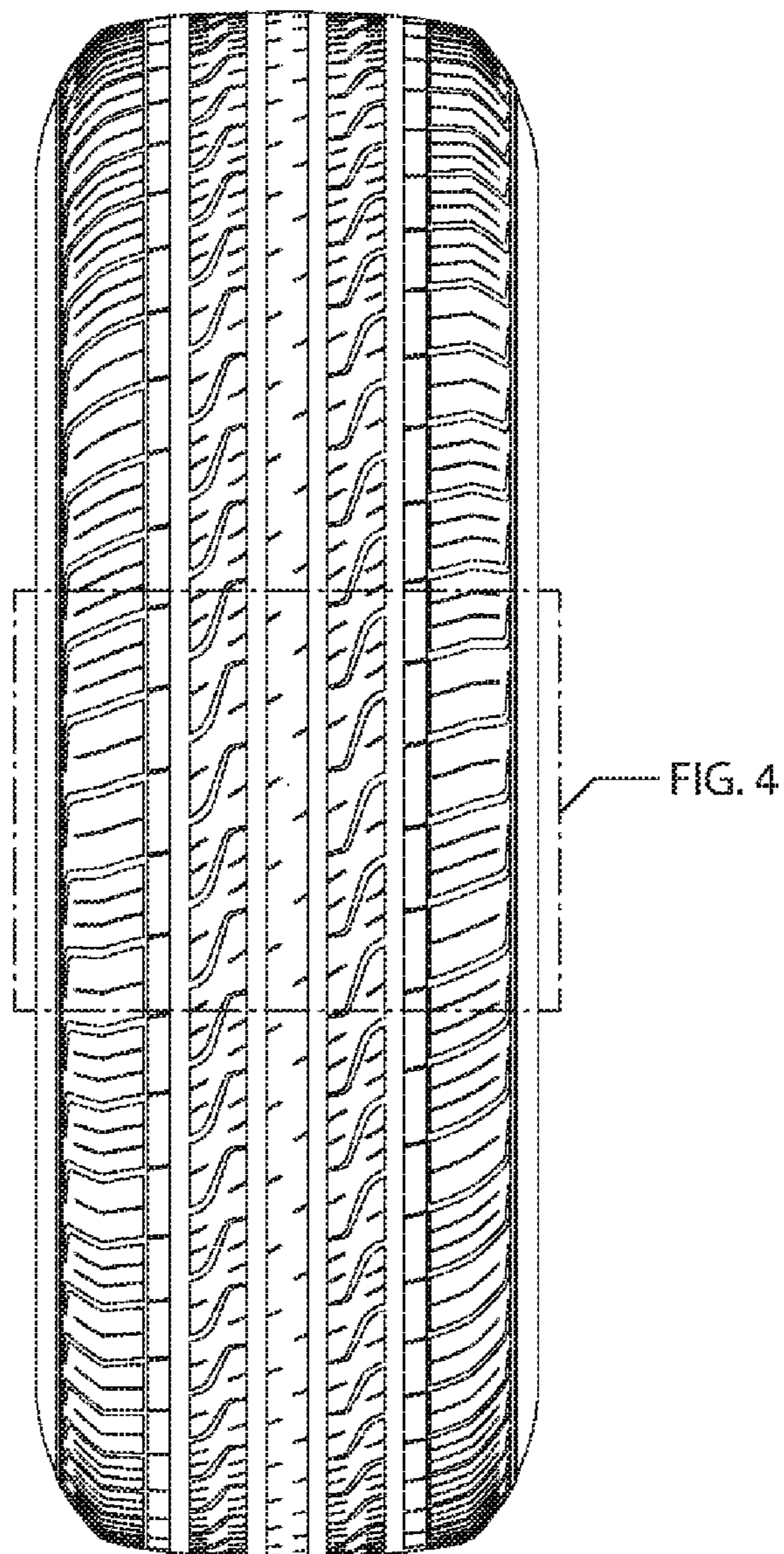


FIG. 2

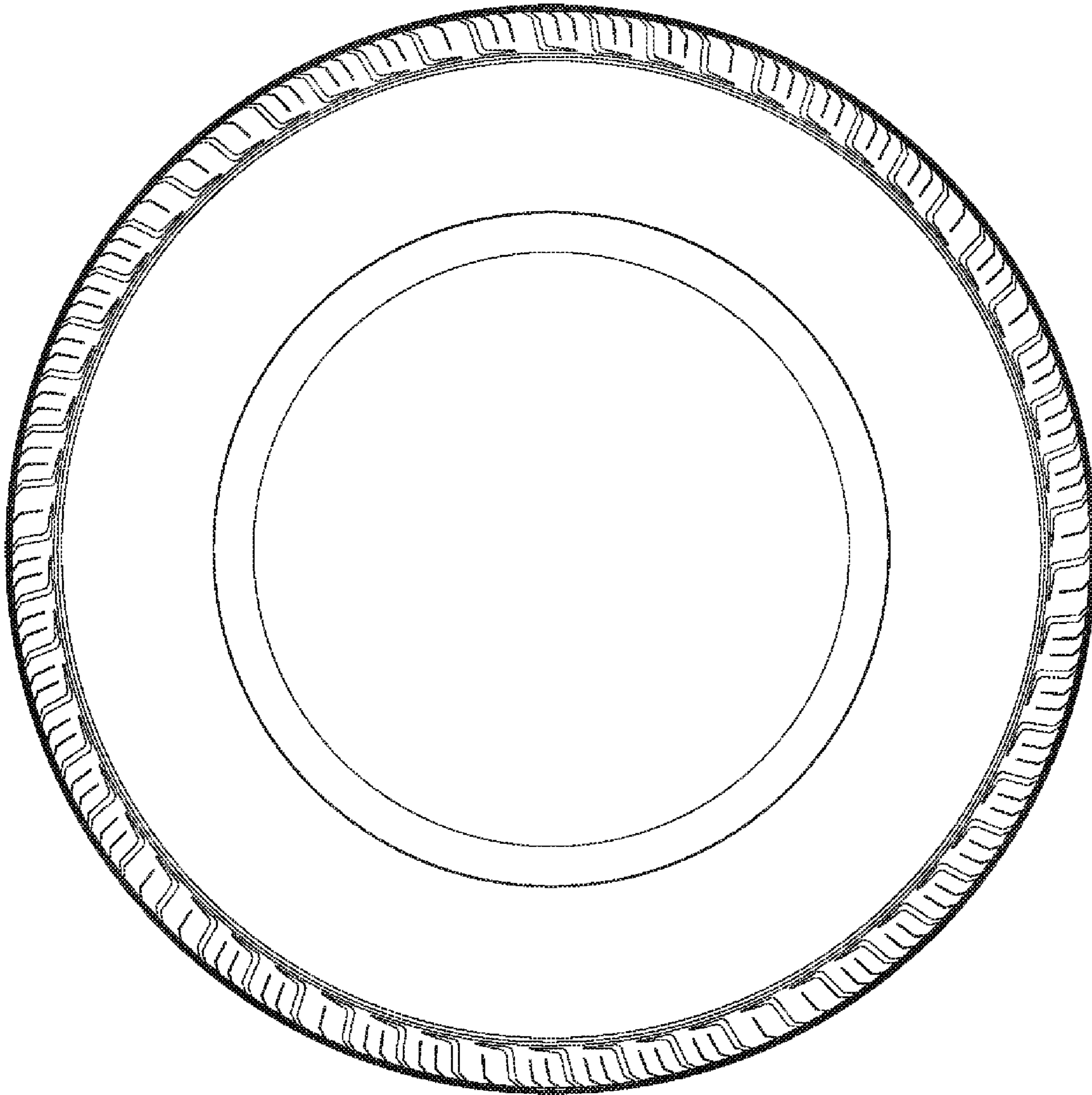


FIG. 3

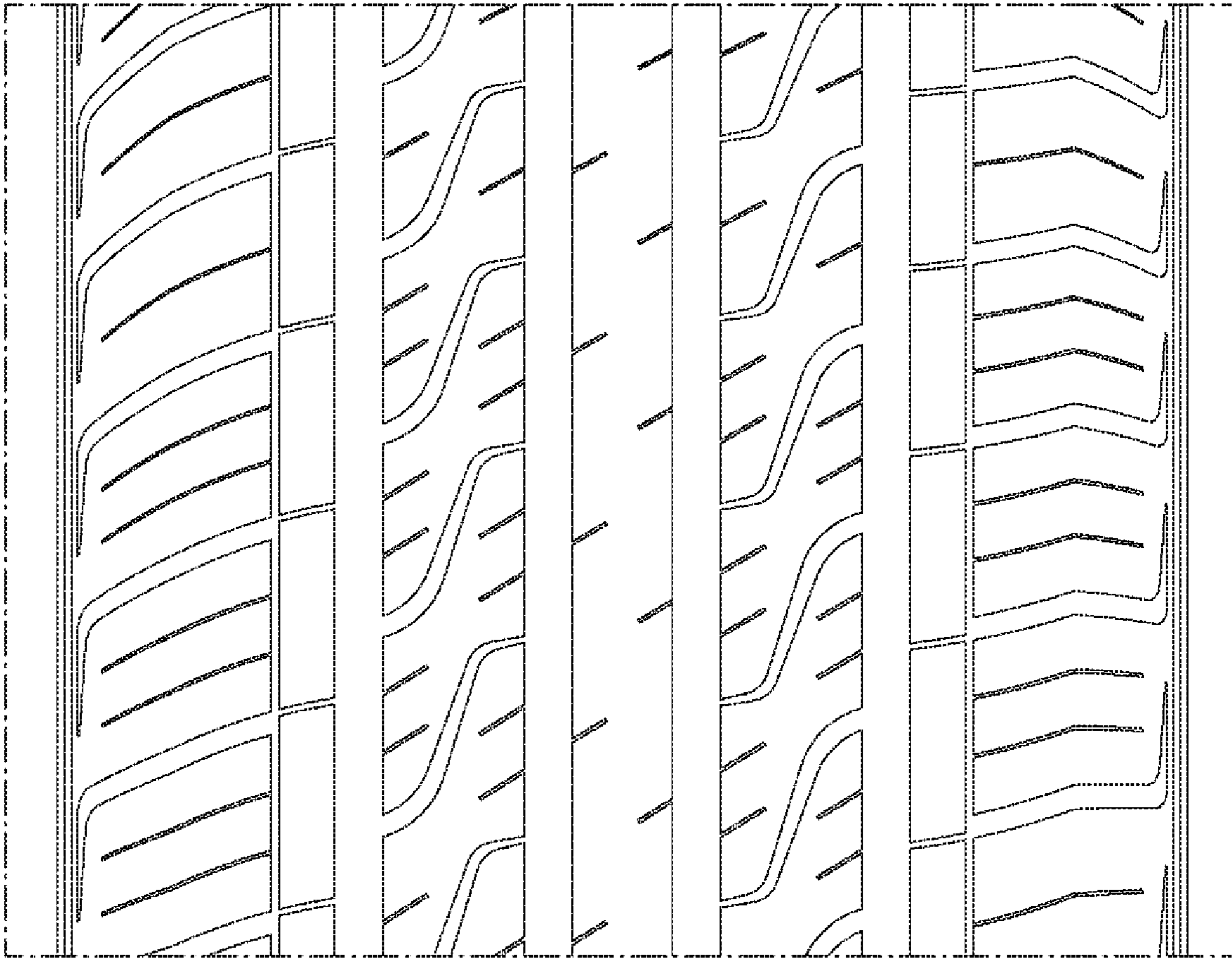


FIG. 4