



US00D740742S

(12) **United States Design Patent**
Taylor et al.

(10) **Patent No.:** **US D740,742 S**
(45) **Date of Patent:** **** Oct. 13, 2015**

(54) **SPACER PLATE WITH ENCLOSED POCKETS**

(71) Applicant: **VEHICLE SERVICE GROUP, LLC**,
Madison, IN (US)

(72) Inventors: **Steven H. Taylor**, Hanover, IN (US);
Brian E. Kelley, Madison, IN (US);
Jiachun Chen, Haimen (CN)

(73) Assignee: **VEHICLE SERVICE GROUP, LLC**,
Madison, IN (US)

(**) Term: **14 Years**

(21) Appl. No.: **29/482,129**

(22) Filed: **Feb. 14, 2014**

(51) **LOC (10) Cl.** **12-16**

(52) **U.S. Cl.**
USPC **D12/406**

(58) **Field of Classification Search**
USPC D12/401-414; D6/610-611
CPC B60R 9/00; B60R 9/02; B60R 9/04;
B60R 9/08; B60R 9/042; B60R 9/0423;
B60R 9/0426; B60R 9/045; B60R 9/048;
B60R 9/0485; B60R 9/05; B60R 9/052;
B60R 9/055; B60R 9/058; B60R 9/06; B60R
9/065; B60R 9/10; B60R 9/12

See application file for complete search history.

(56) **References Cited**

U.S. PATENT DOCUMENTS

D413,562 S *	9/1999	Van Dusen et al.	D12/412
D470,451 S *	2/2003	Bushart et al.	D12/412
D490,042 S *	5/2004	Bailey	D12/406
D508,014 S *	8/2005	Heravi	D12/406
D528,497 S *	9/2006	Ezra	D12/406
D528,965 S *	9/2006	Wang	D12/406
D578,952 S *	10/2008	Badillo	D12/406
D593,927 S *	6/2009	Walton et al.	D12/406
D635,909 S *	4/2011	Moore	D12/406

* cited by examiner

Primary Examiner — Katrina A Betton

(74) *Attorney, Agent, or Firm* — Frost Brown Todd LLC

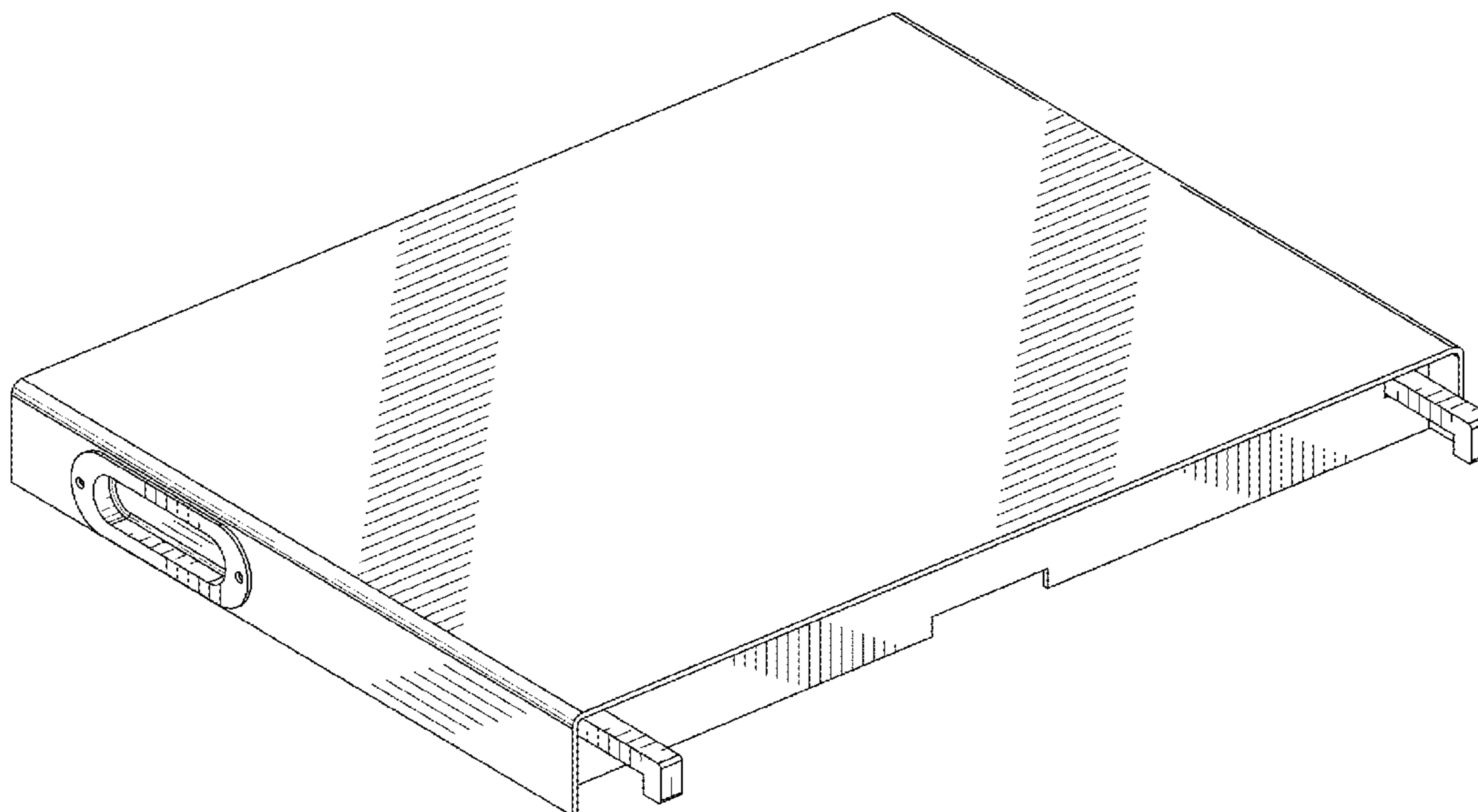
(57) **CLAIM**

The ornamental design for a spacer plate with enclosed pockets, as shown and described.

DESCRIPTION

FIG. 1 is a top perspective view of a spacer plate with enclosed pockets, showing our new design; FIG. 2 is a bottom perspective view thereof; FIG. 3 is a front elevational view thereof; FIG. 4 is a back elevational view thereof; FIG. 5 is a left elevational view thereof; FIG. 6 is a right elevational view thereof; FIG. 7 is a top plan view thereof; and, FIG. 8 is a bottom plan view thereof.

1 Claim, 6 Drawing Sheets



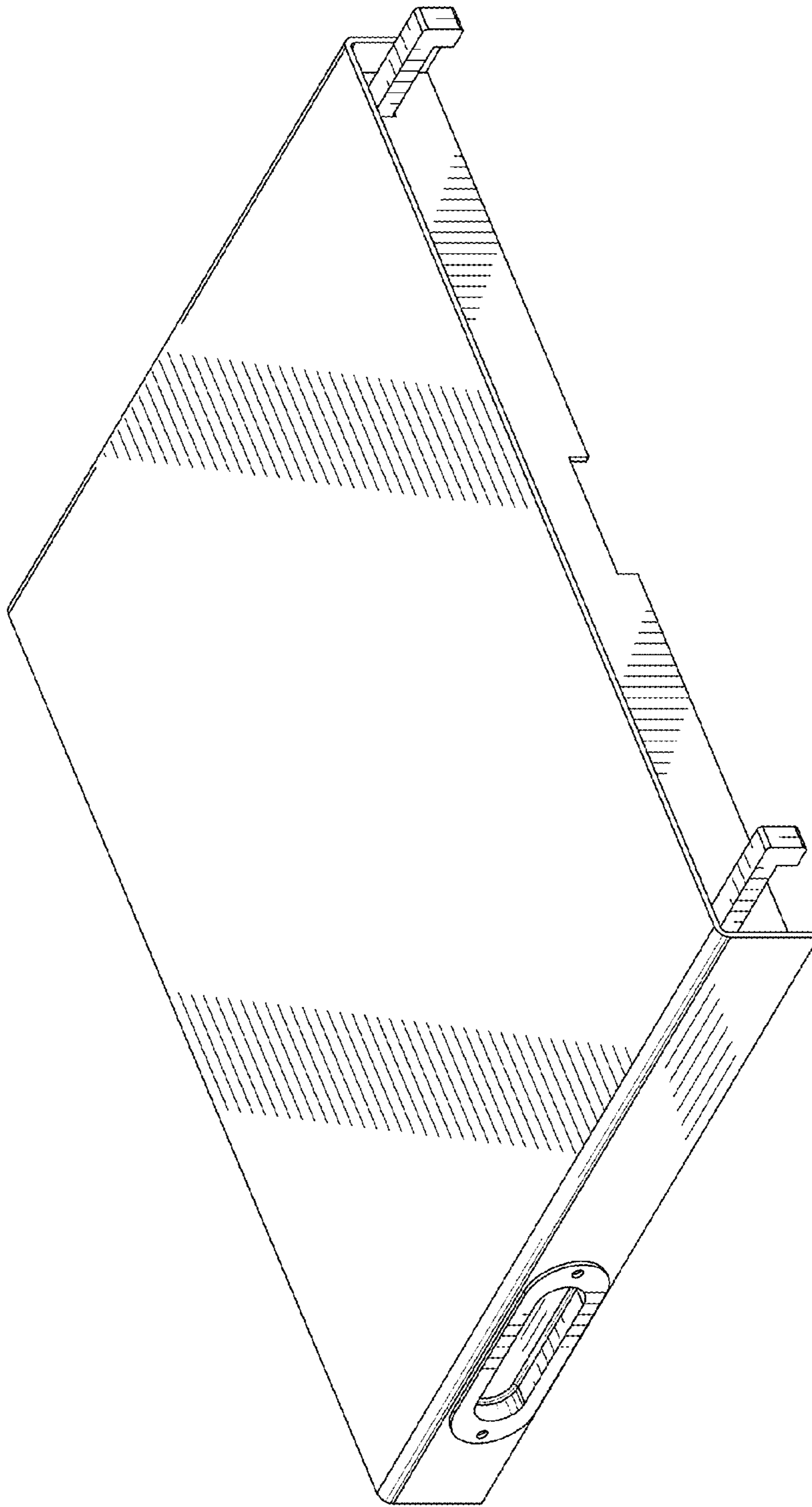


Fig. 1

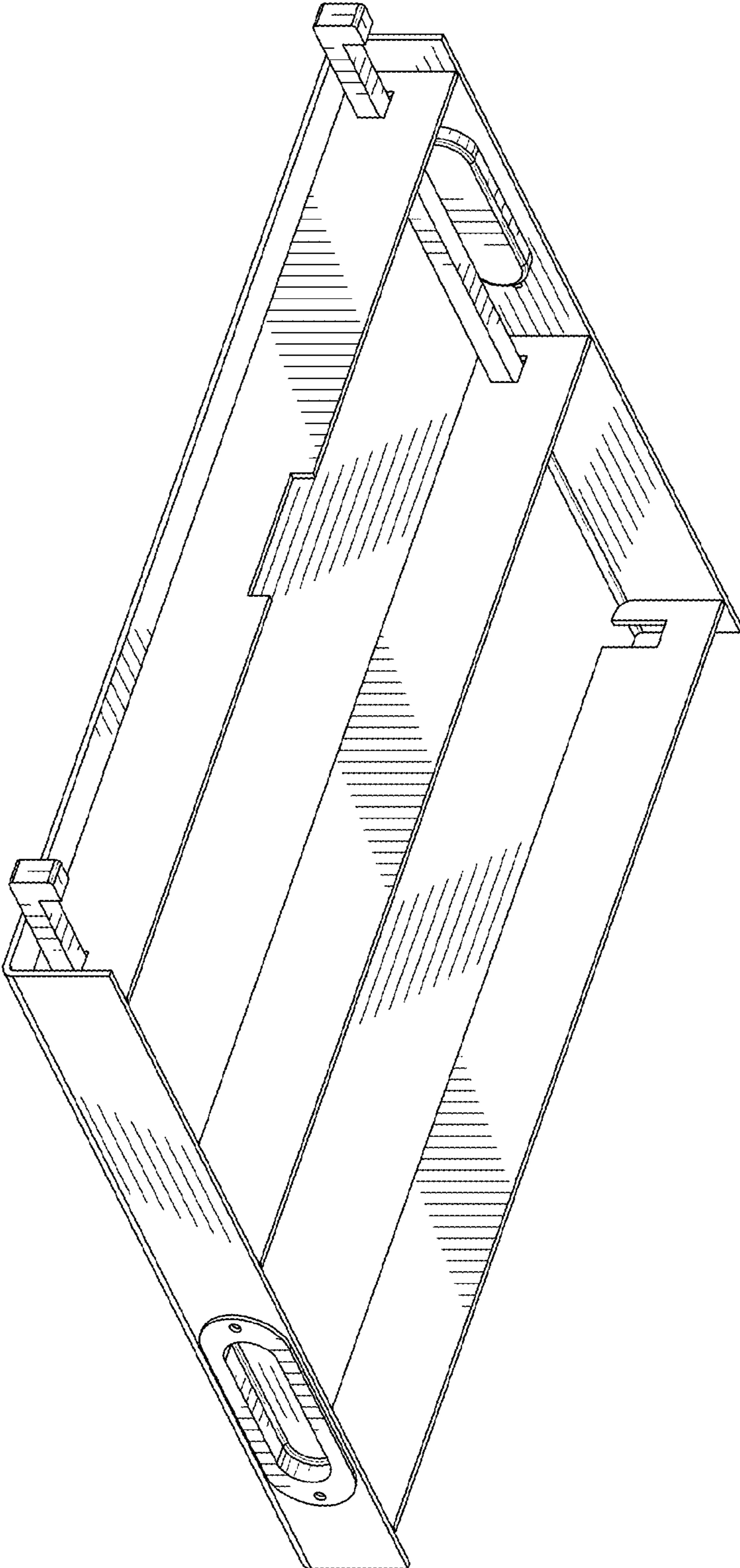


Fig. 2

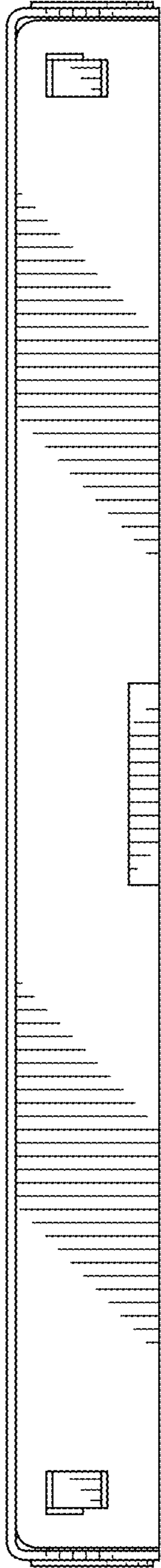


Fig. 3



Fig. 4

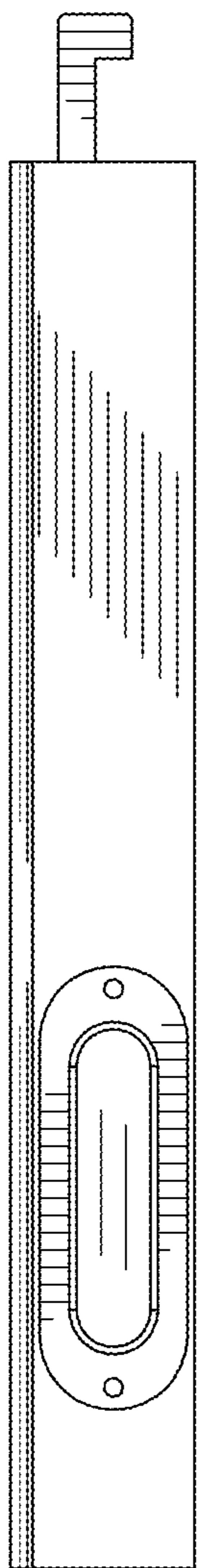


Fig. 5

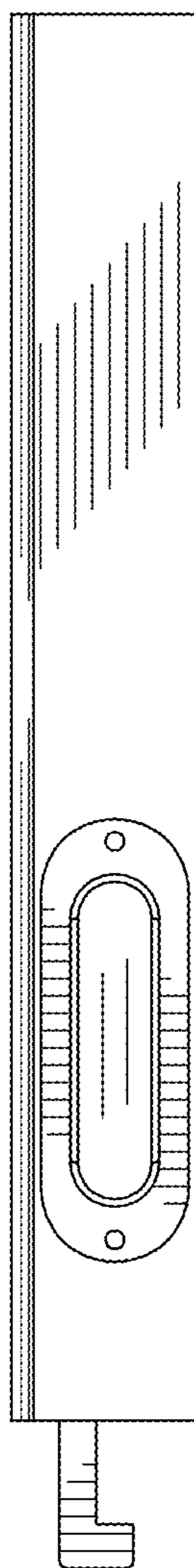


Fig. 6

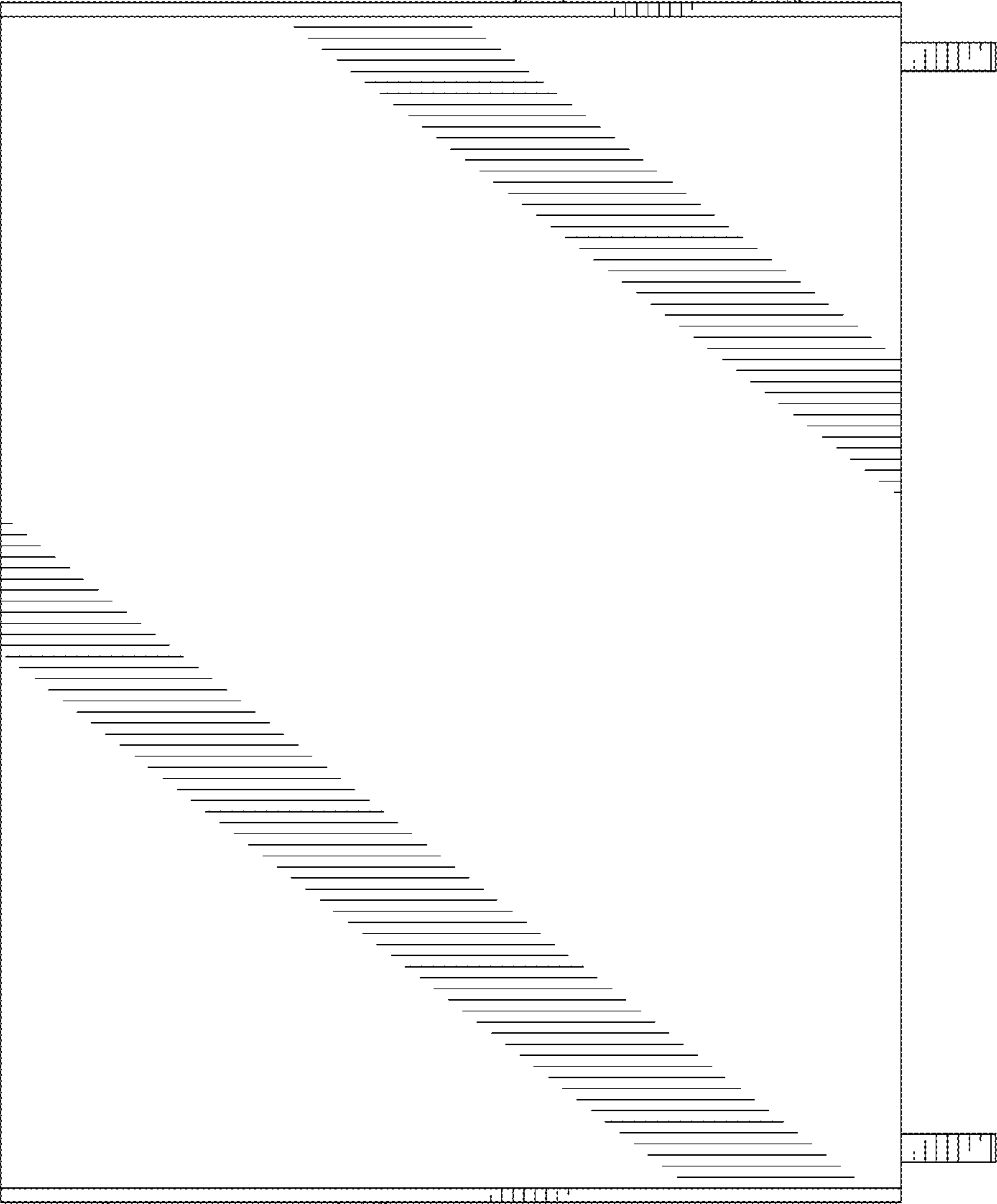


Fig.7

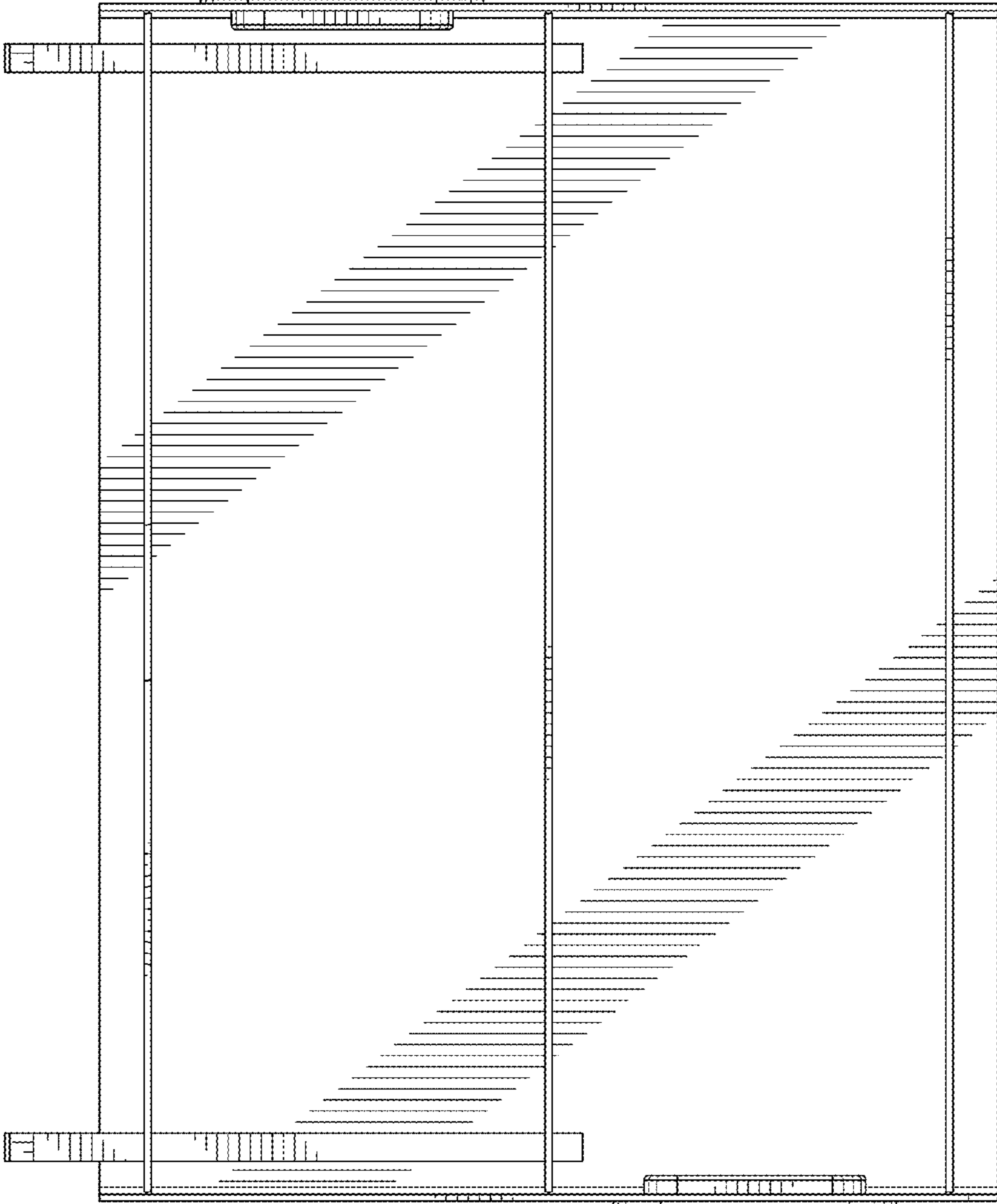


Fig. 8